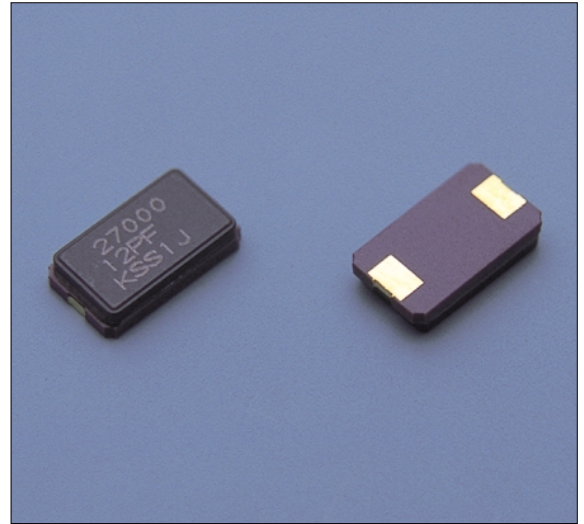


# CX-8045G (CX-11F)

## SMD

### ■Features

- Compact, thin. (8.0×4.5×1.8mm)
- For self-loading.
- Ceramic package leadless type.
- Emboss taping.
- Reflow soldering.
- The oscillation circuit can obtain sufficient output at the inverter stage.



### ■Specifications

| Type                         |                            | CX-8045G  |
|------------------------------|----------------------------|---|
| Frequency Range              |                            | 8~70MHz   |
| Standard Frequency           |                            | Table 1   |
| Overtone Order               |                            | 8~47MHz : Fundamental<br>40~70MHz : 3rd. O.T.   |
| Operating Temp. Range        |                            | -10~+70°C   |
| Storage Temp. Range          |                            | -40~+85°C   |
| Frequency Tolerance          | at 25°C                    | ±15, ±30, ±50×10 <sup>-6</sup>  |
|                              | Over The Oper. Temp. Range | ±15, ±30, ±50×10 <sup>-6</sup> (referred to 25°C)   |
| Load Capacitance             |                            | 12pF  |
| Equivalent Series Resistance |                            | 8~10MHz (Fund.) 200Ω MAX.<br>10~12MHz (Fund.) 150Ω MAX.<br>12~47MHz (Fund.) 50Ω MAX.<br>40~70MHz (3rd.) 150Ω MAX. |
| Shunt Capacitance            |                            | 7pF MAX.  |
| Drive Level                  |                            | 8~16MHz:0.5mW MAX.<br>16~24MHz:0.3mW MAX.<br>24~47MHz:0.1mW MAX.<br>3rd. O.T. :0.3mW MAX.                         |
| Shock                        |                            | Three drops onto a hard wood board from the height of 20cm  |
| Vibration                    |                            | 10~55Hz, amplitude 1.5mm, each to 3 directions, 2 hours each  |

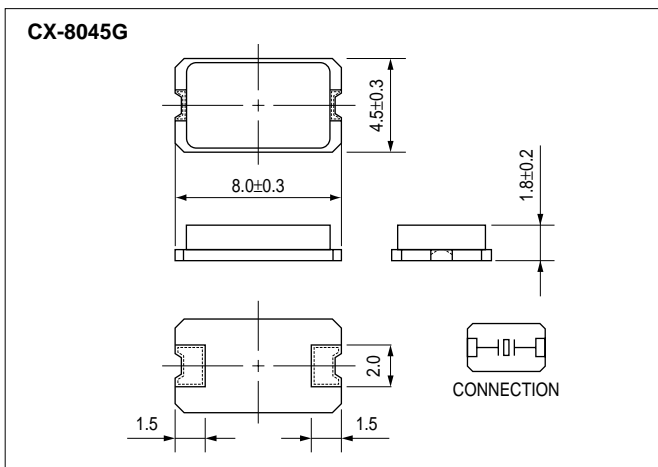
\*Taping item packaging : one unit 1,000pcs & 3,000pcs

■Table 1  
Standard Frequencies

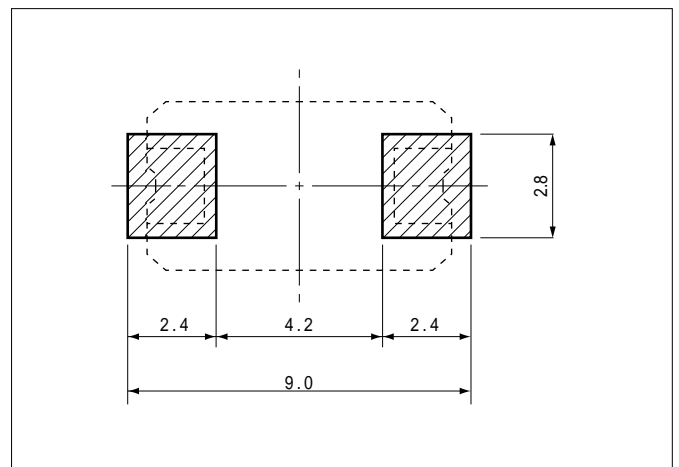
| Standard Frequency (MHz) |          |
|--------------------------|----------|
| 14.31818                 | 27.000   |
| 16.000                   | 28.63636 |
| 16.384                   | 30.000   |
| 16.9344                  | 32.000   |
| 19.6608                  | 33.8688  |
| 20.000                   | 36.000   |
| 21.47727                 | 40.000   |
| 24.000                   | 45.1584  |
| 24.576                   |          |

\* Please inquire about frequencies other than the above.

### ■Outline



### ■Land Pattern(reference)



Dimensions(mm)