



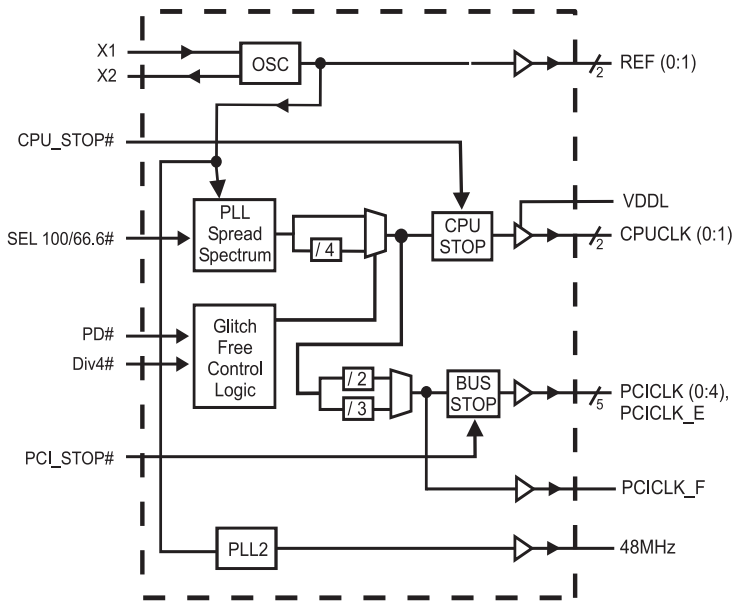
Frequency Timing Generator for Pentium II Systems

General Description

The ICS9248-61 is the Main clock solution for Notebook designs using the Intel 440BX style chipset. Along with an SDRAM buffer such as the ICS9179-03, it provides all necessary clock signals for such a system.

Spread spectrum may be enabled by driving pin 26, SPREAD# active (Low) at power-on. Spread spectrum typically reduces system EMI by 8dB to 10dB. This simplifies EMI qualification without resorting to board design iterations or costly shielding. The ICS9248-61 employs a proprietary closed loop design, which tightly controls the percentage of spreading over process and temperature variations.

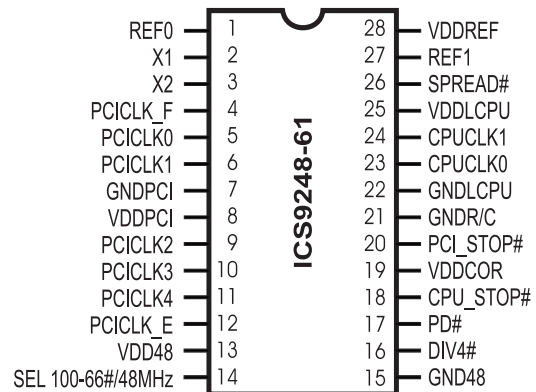
Block Diagram



Features

- Generates the following system clocks:
 - 2CPU(2.5V) up to 100MHz.
 - 7 PCI(3.3V) @ 33.3MHz (Includes one free running).
 - 2 REF clks Fixed (3.3V) 48MHz at 14.318MHz.
- Skew characteristics:
 - CPU – CPU ≤ 175ps
 - PCI – PCI ≤ 250ps
 - PCI_E (early) – PCI = 2.1ns
 - CPU(early) – PCI = 1.5ns – 4ns
- Supports Spread Spectrum modulation for CPU and PCI clocks, 0.5% down spread
- Efficient Power management scheme through stop clocks and power down modes.
- Uses external 14.318MHz crystal, no external load cap required for CL=18pF crystal.
- 28 pin 209mil SSOP.

Pin Configuration



28 pin SSOP

Power Groups

GNDR/C = REFCLK, CORE, Crystal
 VDDCOR = Core
 GNDLCPU, VDDCPU = CPU
 GND48, VDD48 = 48MHz
 VDDPCI, GNDPCI - PCICLK, PCICLK_F, PCICLK_E

Pentium is a trademark on Intel Corporation.



Pin Descriptions

Pin number	Pin name	Type	Description
2	X1	Input	14.318 MHz crystal input
3	X2	Output	14.318 MHz crystal output
4	PCICLK_F	Output	3.3 V free running PCI clock output, will not be stopped by the PCI_STOP#
7	GNDPCI	Power	Ground for PCI clock outputs
8	VDDPCI	Power	3.3 V power for the PCI clock outputs
12	PCICLK_E	Output	Early PCICLK output, offset from other PCICLKs, stopped by PCI-STOP#
13	VDD48	Power	3.3 V power for 48 MHz clocks
14	SEL_100_66#/ 48MHz	Input	on power-on control for the frequency of clocks at the CPU & PCICLK output pins. If logic "0" is used the 66.6 MHz frequency is selected. If Logic "1" is used, the 100 MHz frequency is selected. The PCI clock is multiplexed to run at 33.3 MHz for both selects
15	GND48	Power	Ground for 48 MHz clocks
16	DIV4#	Input	Active low input, enables the CPUCLK and the PCICLK to run at 1/4 of the regular frequencies
17	PD#	Input	Asynchronous active low input pin used to power down the device into a low power state. The internal clocks are disabled and the VCO and the crystal are stopped. The latency of the power down will not be greater than 3ms.
18	CPU_STOP#	Input	Asynchronous active low input pin used to stop the CPUCLK in active low state, all other clocks will continue to run. The CPUCLK will have a "Turnon" latency of at least 3 CPU clocks.
19	VDDCOR	Input	3.3 V power for the core
20	PCI-STOP#	Input	Synchronous active low input used to stop the PCICLK in active low state. It will not effect PCICLK_F or any other outputs.
21	GNDR/C	Input	Ground for REFCLK, Crystal & Core
22	GNDLCPU	Power	Ground for the CPU and Host clock outputs
25	VDDLCPU	Power	2.5 V power for the CPU and Host clock outputs
26	SPREAD#	Output	power-on spread spectrum enable option. Active low = spread spectrum clocking enable. Active high = spread spectrum clocking disable.
28	VDDR	Input	3.3 V power for the REFCLK and crystal clock outputs
1,27	REF(0:1)	Output	3.3V, 14.318 MHz reference clock output.
23,24	CPUCLK (0:1)	Output	2.5 V CPU and Host clock outputs
5,6,9,10, 11	PCICLK (1:4)	Output	3.3 V PCI clock outputs, generating timing requirements



Frequency Table

DIV4#	SEL 100/66#	CPU MHz	PCI MHz
1	1	100	33
1	0	66.69	33
0	1	25	8.32
0	0	16.65	8.32

Power Management

Clock Enable Configuration

CPU_STOP#	PCI_STOP#	PWR_DWN#	CPUCLK	PCICLK	PCICLK_F	REF	Crystal	VCOs
X	X	0	Low	Low	Low	Stopped	Off	Off
0	0	1	Low	Low	33.3MHz	Running	Running	Running
0	1	1	Low	33.3 MHz	33.3MHz	Running	Running	Running
1	0	1	100/66.6MHz	Low	33.3MHz	Running	Running	Running
1	1	1	100/66.6MHz	33.3 MHz	33.3MHz	Running	Running	Running

Full clock cycle timing is guaranteed at all times after the system has initially powered up except where noted. During power up and power down operations using the PD# pin will not cause clocks of a short or longer pulse than that of the running clock. The first clock pulse coming out of a stopped clock condition may be slightly distorted due to clock network charging circuitry. Board routing and signal loading may have a large impact on the initial clock distortion also.

ICS9248-61 Power Management Requirements

SIGNAL	SIGNAL STATE	Latency No. of rising edges of free running PCICLK
CPU_STOP#	0 (Disabled) ²	1
	1 (Enabled) ¹	1
PCI_STOP#	0 (Disabled) ²	1
	1 (Enabled) ¹	1
PD#	1 (Normal Operation) ³	3ms
	0 (Power Down) ⁴	2max

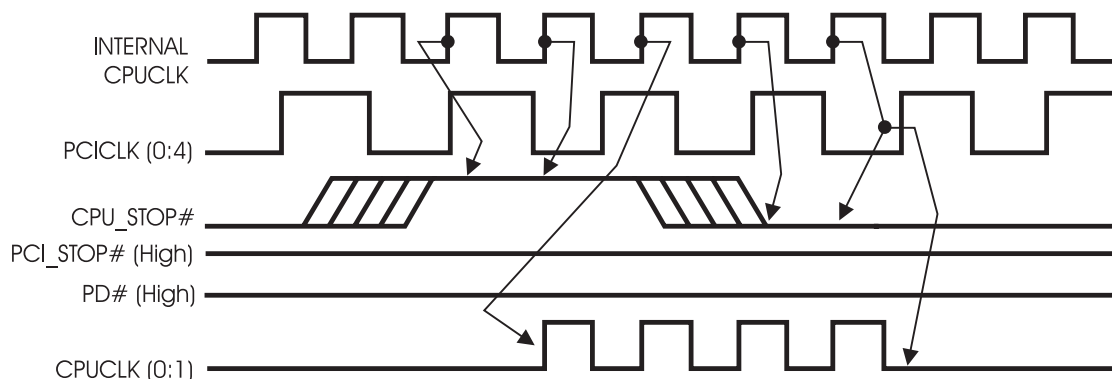
Notes.

1. Clock on latency is defined from when the clock enable goes active to when the first valid clock comes out of the device.
2. Clock off latency is defined from when the clock enable goes inactive to when the last clock is driven low out of the device.
3. Power up latency is when PD# goes inactive (high) to when the first valid clocks are output by the device.
4. Power down has controlled clock counts applicable to CPUCLK, PCICLK only.
The REF will be stopped independent of these.



CPU_STOP# Timing Diagram

CPUSTOP# is an asynchronous input to the clock synthesizer. It is used to turn off the CPUCLKs for low power operation. CPU_STOP# is synchronized by the ICS9248-61. The minimum that the CPUCLK is enabled (CPU_STOP# high pulse) is 100 CPUCLKs. All other clocks will continue to run while the CPUCLKs are disabled. The CPUCLKs will always be stopped in a low state and start in such a manner that guarantees the high pulse width is a full pulse. CPUCLK on latency is less than 4 CPUCLKs and CPUCLK off latency is less than 4 CPUCLKs.

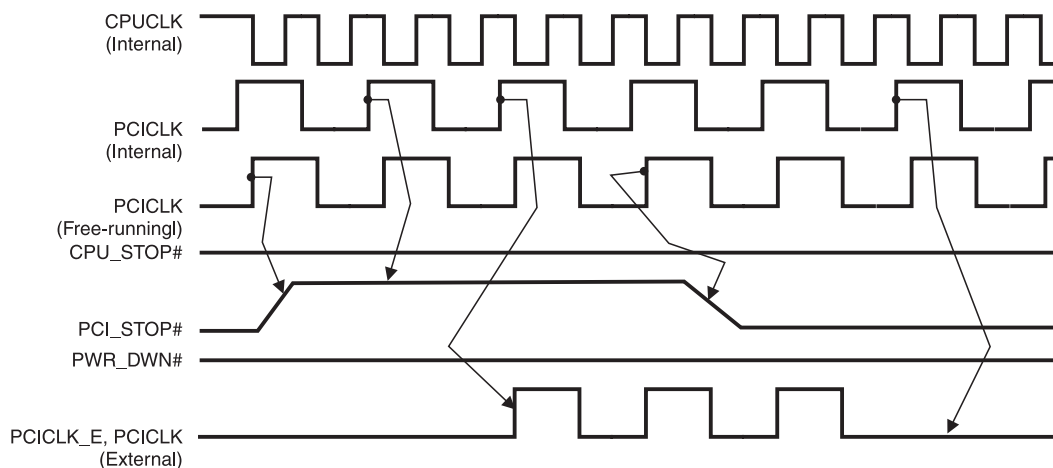


Notes:

1. All timing is referenced to the internal CPUCLK.
2. CPU_STOP# is an asynchronous input and metastable conditions may exist. This signal is synchronized to the CPUCLKs inside the ICS9248-61.
3. All other clocks continue to run undisturbed.
4. PD# and PCI_STOP# are shown in a high (true) state.

PCI_STOP# Timing Diagram

PCI_STOP# is an asynchronous input to the ICS9248-61. It is used to turn off the PCICLK (0:4) clocks for low power operation. PCI_STOP# is synchronized by the ICS9248-61 internally. The minimum that the PCICLK (0:4) clocks are enabled (PCI_STOP# high pulse) is at least 10 PCICLK (0:4) clocks. PCICLK (0:4) clocks are stopped in a low state and started with a full high pulse width guaranteed. PCICLK (0:4) clock on latency cycles are only one rising PCICLK clock off latency is one PCICLK clock.



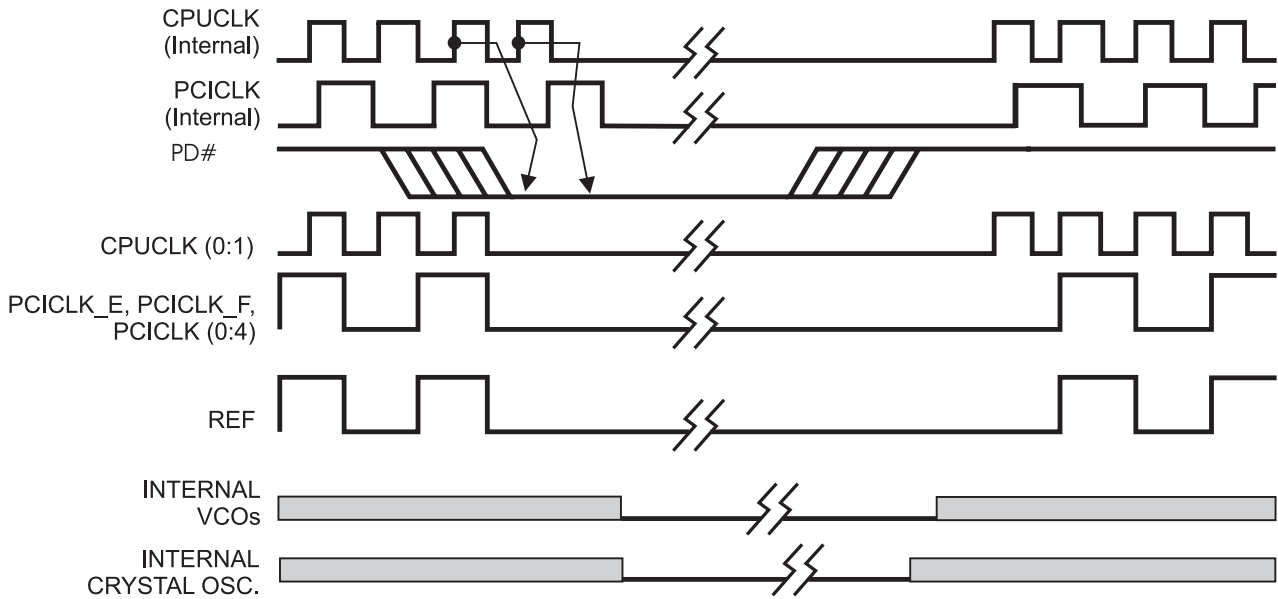
Notes:

1. All timing is referenced to the Internal CPUCLK (defined as inside the ICS9248 device.)
2. PCI_STOP# is an asynchronous input, and metastable conditions may exist. This signal is required to be synchronized inside the ICS9248.
3. All other clocks continue to run undisturbed.
4. PD# and CPU_STOP# are shown in a high (true) state.



PD# Timing Diagram

The power down selection is used to put the part into a very low power state without turning off the power to the part. PD# is an asynchronous active low input. This signal is synchronized internally by the ICS9248-61 prior to its control action of powering down the clock synthesizer. Internal clocks will not be running after the device is put in power down state. When PD# is active (low) all clocks are driven to a low state and held prior to turning off the VCOs and the crystal oscillator. The power on latency is guaranteed to be less than 3ms. The power down latency is less than three CPUCLK cycles. PCI_STOP# and CPU_STOP# are don't care signals during the power down operations.



Notes:

- 1. All timing is referenced to the Internal CPUCLK (defined as inside the ICS9248 device).
- 2. PD# is an asynchronous input and metastable conditions may exist. This signal is synchronized inside the ICS9248.
- 3. The shaded sections on the VCO and the Crystal signals indicate an active clock is being generated.



Absolute Maximum Ratings

Supply Voltage	7.0 V
Logic Inputs	GND-0.5 V to V _{DD} +0.5 V
Ambient Operating Temperature	0°C to +70°C
Storage Temperature	-65°C to +150°C

Stresses above those listed under *Absolute Maximum Ratings* may cause permanent damage to the device. These ratings are stress specifications only and functional operation of the device at these or any other conditions above those listed in the operational sections of the specifications is not implied. Exposure to absolute maximum rating conditions for extended periods may affect product reliability.

Electrical Characteristics - Input/Supply/Common Output Parameters

T_A = 0 - 70°C; Supply Voltage V_{DD} = V_{DDL} = 3.3 V +/-5% (unless otherwise stated)

PARAMETER	SYMBOL	CONDITIONS	MIN	TYP	MAX	UNITS
Input High Voltage	V _{IH}		2		V _{DD} +0.3	V
Input Low Voltage	V _{IL}		V _{SS} -0.3		0.8	V
Input High Current	I _{IH}	V _{IN} = V _{DD}		0.1	5	μA
Input Low Current	I _{IL1}	V _{IN} = 0 V; Inputs with no pull-up resistors	-5	2.0		μA
Input Low Current	I _{IL2}	V _{IN} = 0 V; Inputs with pull-up resistors	-200	-100		μA
Operating Supply Current	I _{DD3.3OP66}	C _L = 0 pF; Select @ 66MHz		60	180	mA
	I _{DD3.3OP100}	C _L = 0 pF; Select @ 100MHz		66	180	mA
Power Down Supply Current	I _{DD3.3PD}	C _L = 0 pF; With input address to V _{DD} or GND		70	600	μA
Input frequency	F _i	V _{DD} = 3.3 V;	11	14.318	16	MHz
Input Capacitance ¹	C _{IN}	Logic Inputs			5	pF
	C _{INX}	X1 & X2 pins	27	36	45	pF
Transition Time ¹	T _{trans}	To 1st crossing of target Freq.			3	ms
Clk Stabilization ¹	T _{STAB}	From V _{DD} = 3.3 V to 1% target Freq.			3	ms
Skew ¹	T _{CPU-PCI1}	V _T = 1.5 V;	1.5	2.4	4	ns

¹Guaranteed by design, not 100% tested in production.

Electrical Characteristics - Input/Supply/Common Output Parameters

T_A = 0 - 70°C; Supply Voltage V_{DD} = 3.3 V +/-5%, V_{DDL} = 2.5 V +/-5% (unless otherwise stated)

PARAMETER	SYMBOL	CONDITIONS	MIN	TYP	MAX	UNITS
Operating Supply Current	I _{DD2.5OP66}	C _L = 0 pF; Select @ 66.8 MHz		16	72	mA
	I _{DD2.5OP100}	C _L = 0 pF; Select @ 100 MHz		23	100	mA
Skew ¹	t _{CPU-PCI2}	V _T = 1.5 V; V _{TL} = 1.25 V	1.5	3	4	ns

¹Guaranteed by design, not 100% tested in production.



Electrical Characteristics - CPUCLK

T_A = 0 - 70°C; V_{DD} = 3.3 V +/-5%, V_{DDL} = 2.5 V +/-5%; C_L = 10 - 20 pF (unless otherwise stated)

PARAMETER	SYMBOL	CONDITIONS	MIN	TYP	MAX	UNITS
Output High Voltage	V _{OH2B}	I _{OH} = -12.0 mA	2	2.3		V
Output Low Voltage	V _{OL2B}	I _{OL} = 12 mA		0.2	0.4	V
Output High Current	I _{OH2B}	V _{OH} = 1.7 V		-41	-19	mA
Output Low Current	I _{OL2B}	V _{OL} = 0.7 V	19	37		mA
Rise Time	t _{r2B} ¹	V _{OL} = 0.4 V, V _{OH} = 2.0 V		1.25	1.6	ns
Fall Time	t _{f2B} ¹	V _{OH} = 2.0 V, V _{OL} = 0.4 V		1	1.6	ns
Duty Cycle	d _{t2B} ¹	V _T = 1.25 V	45	48	55	%
Skew	t _{sk2B} ¹	V _T = 1.25 V		30	175	ps
Jitter, Cycle-to-cycle	t _{jcy-cyc2B} ¹	V _T = 1.25 V		150	250	ps
Jitter, One Sigma	t _{j1s2B} ¹	V _T = 1.25 V		40	150	ps
Jitter, Absolute	t _{jabs2B} ¹	V _T = 1.25 V	-250	140	+250	ps

¹Guaranteed by design, not 100% tested in production.

Electrical Characteristics - PCICLK

T_A = 0 - 70°C; V_{DD} = V_{DDL} = 3.3 V +/-5%; C_L = 30 pF

PARAMETER	SYMBOL	CONDITIONS	MIN	TYP	MAX	UNITS
Output High Voltage	V _{OH1}	I _{OH} = -11 mA	2.4	3.1		V
Output Low Voltage	V _{OL1}	I _{OL} = 9.4 mA		0.1	0.4	V
Output High Current	I _{OH1}	V _{OH} = 2.0 V		-62	-22	mA
Output Low Current	I _{OL1}	V _{OL} = 0.8 V	16	57		mA
Rise Time ¹	t _{r1}	V _{OL} = 0.4 V, V _{OH} = 2.4 V		1.5	2	ns
Fall Time ¹	t _{f1}	V _{OH} = 2.4 V, V _{OL} = 0.4 V		1.1	2	ns
Duty Cycle ¹	d _{t1}	V _T = 1.5 V	45	50	55	%
Skew ¹	t _{sk1}	V _T = 1.5 V		140	500	ps
Jitter, Cycle-to-cycle	t _{jcy-cyc1}	V _T = 1.25 V		250	500	ps
Jitter, One Sigma ¹	t _{j1s1}	V _T = 1.5 V		17	150	ps
Jitter, Absolute ¹	t _{jabs1}	V _T = 1.5 V	-250	70	250	ps

¹Guaranteed by design, not 100% tested in production.

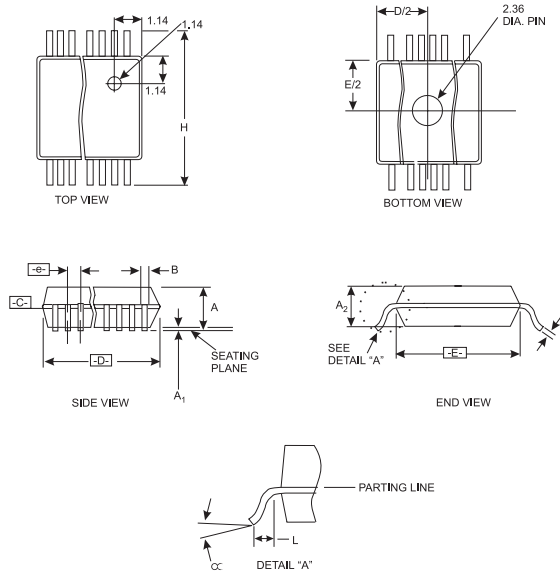


Electrical Characteristics - REF/48MHz

$T_A = 0 - 70^\circ\text{C}$; $V_{DD} = V_{DDL} = 3.3\text{ V} \pm 5\%$; $C_L = 10 - 20\text{ pF}$ (unless otherwise stated)

PARAMETER	SYMBOL	CONDITIONS	MIN	TYP	MAX	UNITS
Output High Voltage	V_{OH5}	$I_{OH} = -12\text{ mA}$	2.6	3.1		V
Output Low Voltage	V_{OL5}	$I_{OL} = 9\text{ mA}$		0.17	0.4	V
Output High Current	I_{OH5}	$V_{OH} = 2.0\text{ V}$		-44	-22	mA
Output Low Current	I_{OL5}	$V_{OL} = 0.8\text{ V}$	16	42		mA
Rise Time ¹	t_{r5}	$V_{OL} = 0.4\text{ V}, V_{OH} = 2.4\text{ V}$		1.4	4	ns
Fall Time ¹	t_{f5}	$V_{OH} = 2.4\text{ V}, V_{OL} = 0.4\text{ V}$		1.1	4	ns
Duty Cycle ¹	d_{t5}	$V_T = 1.5\text{ V}$	45	53	55	%
Jitter, One Sigma ¹	t_{j1s5}	$V_T = 1.5\text{ V}$		1	3	%
Jitter, Absolute ¹	t_{jabs5}	$V_T = 1.5\text{ V}$		3	5	%

¹Guaranteed by design, not 100% tested in production.



SYMBOL	COMMON DIMENSIONS			VARIATIONS	D		
	MIN.	NOM.	MAX.		MIN.	NOM.	MAX.
A	0.068	0.073	0.078	14	0.239	0.244	0.249
A1	0.002	0.005	0.008	16	0.239	0.244	0.249
A2	0.066	0.068	0.070	20	0.278	0.284	0.289
b	0.010	0.012	0.015	24	0.318	0.323	0.328
c	0.004	0.006	0.008	28	0.397	0.402	0.407
D	See Variations			30	0.397	0.402	0.407
E	0.205	0.209	0.212	SSOP Package Dimensions in inches			
e	0.0256 BSC						
H	0.301	0.307	0.311				
L	0.025	0.030	0.037				
N	See Variations						
∞	0°	4°	8°				

Ordering Information

ICS9248F-61

Example:

ICS XXXX Y F - PPP

