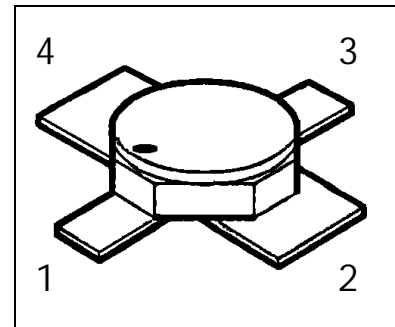


## HiRel NPN Silicon RF Transistor

- **HiRel Discrete and Microwave Semiconductor**
- For High Gain Low Noise Amplifiers
- For Oscillators up to 10 GHz
- Noise Figure F = 1.1 dB at 1.8 GHz  
Outstanding Gms = 21dB at 1.8 GHz
- Hermetically sealed microwave package
- Transition Frequency  $f_T = 22$  GHz
- **SIEGET 25-Line**  
Infineon Technologies Grounded Emitter Transistor-  
25 GHz  $f_T$ -Line



**ESA Space Qualified**

ESA/SCC Detail Spec. No.: 5611/008

Type Variant No. 02

**ESD:** Electrostatic discharge sensitive device,  
observe handling precautions!

Type	Marking	Ordering Code	Pin Configuration				Package
			1	2	3	4	
BFY420 (ql)	-	see below	C	E	B	E	Micro-X

(ql) Quality Level:	P: Professional Quality,	Ordering Code:	Q62702F1662
	H: High Rel Quality,	Ordering Code:	on request
	S: Space Quality,	Ordering Code:	on request
	ES: ESA Space Quality,	Ordering Code:	Q62702F1709

(see order instructions for ordering example)

**Maximum Ratings**

Parameter	Symbol	Values	Unit
Collector-emitter voltage	$V_{CEO}$	4.5	V
Collector-base voltage	$V_{CBO}$	15	V
Emitter-base voltage	$V_{EBO}$	1.5	V
Collector current	$I_C$	35	mA
Base current	$I_B$	3.0	mA
Total power dissipation, $T_S \leq 129^\circ\text{C}$ <sup>1), 2)</sup>	$P_{tot}$	160	mW
Junction temperature	$T_j$	175	$^\circ\text{C}$
Operating temperature range	$T_{op}$	-65...+175	$^\circ\text{C}$
Storage temperature range	$T_{stg}$	-65...+175	$^\circ\text{C}$

**Thermal Resistance**

Junction-soldering point <sup>2)</sup>	$R_{thJS}$	< 285	K/W
--	------------	-------	-----

**Notes.:**

- 1) At  $T_S = +129^\circ\text{C}$ . For  $T_S > +129^\circ\text{C}$  derating is required.
- 2)  $T_S$  is measured on the collector lead at the soldering point to the pcb.

**Electrical Characteristics**

 at  $T_A = 25^\circ\text{C}$ ; unless otherwise specified

Parameter	Symbol	Values			Unit
		min.	typ.	max.	

**DC Characteristics**

Collector-base cutoff current $V_{CB} = 5\text{ V}, I_E = 0$	$I_{CBO}$	-	-	30	nA
Collector-emitter cutoff current <sup>1)</sup> $V_{CE} = 4.5\text{ V}, I_B = 1.0\mu\text{A}$	$I_{CEX}$	-	-	200 (t.b.d.)	$\mu\text{A}$
Emitter-base cutoff current $V_{EB} = 1.5\text{ V}, I_C = 0$	$I_{EBO}$	-	-	20	$\mu\text{A}$
DC current gain $I_C = 5\text{ mA}, V_{CE} = 1\text{ V}$	$h_{FE}$	50	90	150	-

**Notes:**

- 1.) This Test assures  $V(BR)_{CE0} > 4.5\text{V}$

**Electrical Characteristics (continued)**

Parameter	Symbol	Values			Unit
		min.	typ.	max.	
<b>AC Characteristics</b>					
Transition frequency $I_C = 30\text{mA}$ , $V_{CE} = 3\text{V}$ , $f = 2.0\text{GHz}$	$f_T$	20	22	-	GHz
Collector-base capacitance $V_{CB} = 2\text{V}$ , $V_{BE} = v_{be} = 0$ , $f = 1\text{MHz}$	$C_{CB}$	-	0.14	0.9	pF
Collector-emitter capacitance $V_{CE} = 2\text{V}$ , $V_{BE} = v_{be} = 0$ , $f = 1\text{MHz}$	$C_{CE}$	-	0.46	0.85	pF
Emitter-base capacitance $V_{EB} = 0.5\text{V}$ , $V_{CB} = v_{cb} = 0$ , $f = 1\text{MHz}$	$C_{EB}$	-	0.67	3.0	pF
Noise Figure $I_C = 5\text{mA}$ , $V_{CE} = 2\text{V}$ , $f = 1.8\text{GHz}$ , $Z_S = Z_{\text{sopt}}$	F	-	1.1	1.7	dB
Insertion power gain $I_C = 20\text{mA}$ , $V_{CE} = 2\text{V}$ , $f = 1.8\text{GHz}$ , $Z_S = Z_L = 50\Omega$	$ S_{21e} ^2$	14	18	-	dB
Power gain $I_C = 20\text{mA}$ , $V_{CE} = 2\text{V}$ , $f = 1.8\text{GHz}$ , $Z_S = Z_{\text{sopt}}$ , $Z_L = Z_{\text{lopt}}$	$G_{ms}$ <sup>1)</sup>	-	21	-	dB
1dB Compression point $I_C = 20\text{mA}$ , $V_{CE} = 2\text{V}$ , $f = 1.8\text{GHz}$ , $Z_S = Z_{\text{sopt}}$ , $Z_L = Z_{\text{lopt}}$	$P_{-1\text{dB}}$	-	12	-	dBm

**Notes.:**

$$1) \quad G_{ms} = \left| \frac{S_{21}}{S_{12}} \right|$$

---

**Order Instructions:**

Full type variant including quality level must be specified by the orderer. For *HiRel* Discrete and Microwave Semiconductors the ordering code specifies device family and quality level.

**Ordering Form:**

Ordering Code: Q.....  
BFY420 (ql)  
(ql): Quality Level

**Ordering Example:**

Ordering Code: Q62702F1709  
BFY420 ES  
For BFY420 in ESA Space Quality Level

**Further Informations:**

See our WWW-Pages:

- Discrete and RF-Semiconductors (Small Signal Semiconductors)

[www.infineon.com/products/discrete/hirel.htm](http://www.infineon.com/products/discrete/hirel.htm)

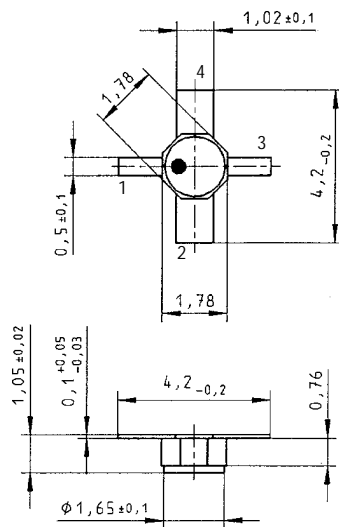
- *HiRel* Discrete and Microwave Semiconductors

[www.infineon.com/products/discrete/hirel.htm](http://www.infineon.com/products/discrete/hirel.htm)

Please contact also our marketing division :

Tel.: ++89 234 24480  
Fax.: ++89 234 28438  
e-mail: [martin.wimmers@infineon.com](mailto:martin.wimmers@infineon.com)  
Address: Infineon Technologies Semiconductors,  
High Frequency Products Marketing,  
P.O.Box 801709,  
D-81617 Munich

## Micro-X Package



Published by Infineon Technologies Semiconductors, High Frequency Products Marketing, P.O.Box 801709, D-81617 Munich.

Infineon Technologies AG 1998. All Rights Reserved.

As far as patents or other rights of third parties are concerned, liability is only assumed for components per se, not for applications, processes and circuits implemented within components or assemblies.

The information describes the type of component and shall not be considered as assured characteristics.

Terms of delivery and rights to change design reserved.

For questions on technology, delivery and prices please contact the Offices of Semiconductor Group in Germany or the Infineon Technologies Companies and Representatives worldwide (see address list).

Due to technical requirements components may contain dangerous substances. For information on the type in question please contact your nearest Infineon Technologies Office, Semiconductor Group.

Infineon Technologies Semiconductors is a certified CECC and QS9000 manufacturer (this includes ISO 9000).