

MB86393

September 2002

Edition 1.00

MPEG-2 Single Chip Audio/Video Encoder

FME/MM/PP/0902

OVERVIEW

Fujitsu's **MB86393** is a full MP@ML compliant MPEG-2 encoder that integrates video, audio, system encoders including memory (FCRAM) and PCI interface on a single chip.

The MPEG-2 Encoder takes advantage of the high-performance MPEG-2 compression algorithm developed by Fujitsu. This device is a combination of Hardware and Software processed by an internal SPARClite CPU. It is expected to be a key component for realising higher performance and highly compact digital audio-visual equipment, such as disk recorders, camcorders, video communication, etc.

FEATURES

- Single Chip Encoder
- Video Encoder
 - MPEG-1 (ISO/IEC11172-2)
 - MPEG2 MP@ML encoding function (ISO/IEC13818-2)
 - NTSC and PAL Video formats
 - Maximum bit-rate is 15Mbps
 - Video Input Interface: ITU-R 656
- Audio Encoder
 - MPEG1 Audio layer-1/2 encoding function (ISO/IEC11172-3)
 - Maximum bit-rate is 448kbps
 - Audio Interface: I2S
- System Multiplex
 - Output format is selection of PS, TS and MPEG-1 System.
 - Constant or Variable Bit Rate (CBR / VBR)
 - Maximum bit-rate is 20Mbps
 - External or internal TS clock
- Internal FCRAM Memory in System in Package (SiP) technology
- PCI Interface (V2.2)
- Frame Synchronizer
- Internal 32bit RISC processor
- Package: FLGA 288 pin
- Operating temperature: 0°C to +70°C
- Power consumption: typ. 800mW

TYPICAL APPLICATIONS

- Video distribution systems
- Car entertainment systems
- Video conference systems
- Digital video recorder
- D-VHS recorder
- D-STB, Personal Video Recorder (PVR)
- Video disk recorder
- MPEG-2 PC encoder card
- Surveillance systems
- Head-end stations
- and more ...

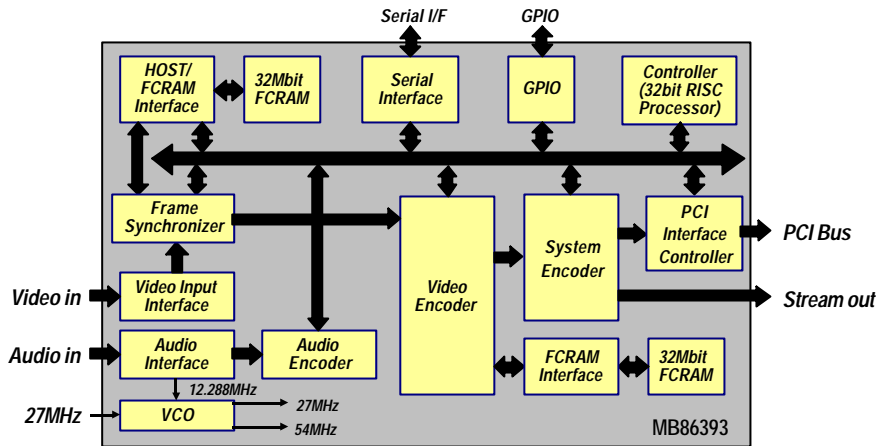


Figure: Block Diagram

Contact Information	Email: multimedia_info@fme.fujitsu.com
----------------------------	--

Worldwide Headquarters

Japan

Tel: +81 3 5322 3347
Fax: +81 3 5322 3386

Fujitsu Limited
Corporate Global Business
Support Division
Electronic Devices
ShinjukuDai-Ichi Seimei Bldg.7-1
Nishinjuku 2-chome, Shinjuku-ku
Tokyo 163-0721
Japan

<http://www.fujitsu.com/>

Asia

Tel: +65 281 0770
Fax: +65 281 0220

Fujitsu Microelectronics Asia
PTE Limited
#05-08, 151 Lorong Chauan
New Tech Park
Singapore 556741

<http://www.fmal.fujitsu.com/>

USA

Tel: +1 408 922 9000
Fax: +1 408 922 9179

Fujitsu Microelectronics Inc.
3545 North First Street
San Jose CA 95134-1804
USA

Tel: +1 800 866 8608
Fax: +1 408 922 9179

Customer Response Center
Mon-Fri: 7am-5pm (PST)

<http://www.fma.fujitsu.com/>

Europe

Tel: +49 6103 6900
Fax: +49 6103 690122

Fujitsu Microelectronics Europe GmbH
Am Siebenstein 6-10
D-63303 Dreieich-Buchsschlag
Germany

<http://www.fme.fujitsu.com/>