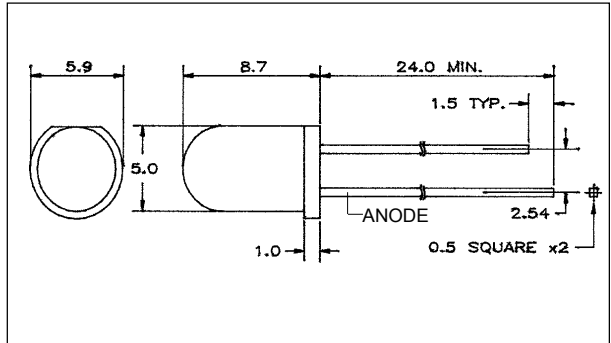


# T-1<sup>3</sup>/<sub>4</sub> Blinking LED Lamps

## FEATURES

- T-1<sup>3</sup>/<sub>4</sub> blinking LED
- Diffused lens



## MAXIMUM RATINGS (Ta = 25°C)

PART NO.	OPERATING VOLTAGE (V)	REVERSE VOLTAGE (V <sub>R</sub> ) (V)	OPERATING TEMPERATURE (T <sub>opr</sub> ) (°C)	STORAGE TEMPERATURE (T <sub>stg</sub> ) (°C)
MT1118F-RG	3-5	0.4	0~+70	-25~+85
MT2118F-G	3-5	0.4	0~+70	-25~+85
MT3118F-Y	3-5	0.4	0~+70	-25~+85
MT4118F-O	3-5	0.4	0~+70	-25~+85
MT4118F-HR	3-5	0.4	0~+70	-25~+85
MT7118F-UR	3-5	0.4	0~+70	-25~+85

## OPTO-ELECTRICAL CHARACTERISTICS (Ta = 25°C)

PART NO.	EMITTING COLOR	LENS COLOR	VIEWING ANGLE typ.	LUMINOUS INTENSITY (mcd)			APPLIED VOLTAGE (V)		FREQUENCY (Hz)	PEAK WAVE LENGTH
				min.	max.	@V	min.	max.	typ.	nm
MT1118F-RG	Red	Red Diff	40°	0.2	0.5	5	3.0	5.0	2.4	700
MT2118F-G	Green	Green Diff	40°	1.0	2.4	5	3.0	5.0	2.4	567
MT3118F-Y	Yellow	Yellow Diff	40°	0.8	2.0	5	3.0	5.0	2.4	585
MT4118F-O	Orange	Orange Diff	40°	1.1	2.8	5	3.0	5.0	2.4	635
MT4118F-HR	Hi-Eff Red	Red Diff	40°	1.1	2.8	5	3.0	5.0	2.4	635
MT7118F-UR	Ultra Red	Red Diff	40°	21.5	35.8	5	3.0	5.0	2.4	660