



Obsolescence Notice

This product is obsolete.

This information is available for your convenience only.

For more information on Zarlink's obsolete products and replacement product lists, please visit http://products.zarlink.com/obsolete_products/



MV500

T-77-11

REMOTE CONTROL TRANSMITTER

The MV500 remote control transmitter has been introduced to complement the existing range of remote control devices. Together with a simple low cost keypad, an infra-red diode and a transistor, the MV500 forms a complete transmitter for remote control data. The device uses pulse position modulation (PPM) without a carrier and is therefore best suited to infra-red or direct wire link applications. CMOS technology is used which allows low power battery operation down to 3 volts. One of three output data rates may be selected, all timing being derived from a low cost ceramic resonator. The MV500 may be used with the MV601 remote control receiver or decoded directly by a microprocessor.

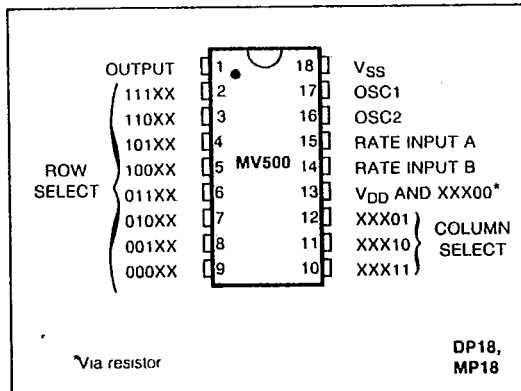


Fig.1 Pin Connections - Top View

FEATURES

- Very Low Power Requirements
- 3 to 9 Volt Operation
- Low Cost Ceramic Resonator
- Selectable Data Rates
- Single Pole Key Matrix
- Few External Components
- Code Synchronising Pulses

ABSOLUTE MAXIMUM RATINGS

Supply voltage	-0.5V to 11V
Input voltage (all pins)	-0.5V to VDD + 0.5V
Operating temperature range	0°C to +70°C
Storage temperature range	-55°C to +125°C

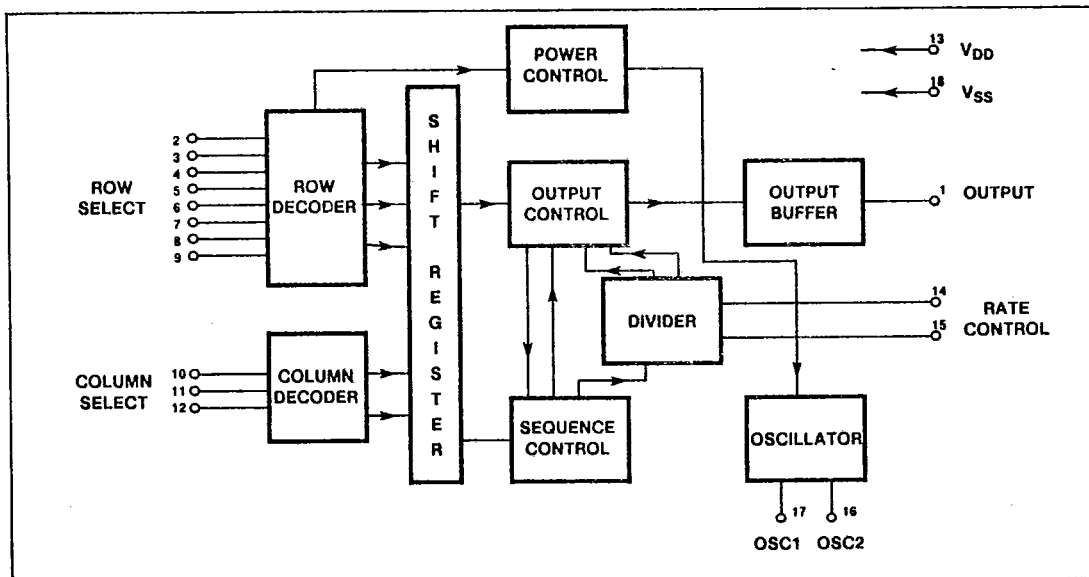


Fig 2 MV500 Block Diagram

ELECTRICAL CHARACTERISTICS

Test conditions (unless otherwise stated)
 $T_{amb} = 0^{\circ}\text{C}$ to 70°C , $V_{DD} = +3\text{V}$ to $+10.5\text{V}$

T-77-11

Characteristic	Pin	Value			Units	Conditions
		Min	Typ	Max		
Operating supply current	13		0.5	2	mA	Circuit fig.4
Standby supply current	13		0.3	2	μA	All inputs open circuit $V_{DD} = 9\text{V}$, $T_{amb} = 25^{\circ}\text{C}$
Output source current	1	50	100	200	mA	$V_{DD} = 6\text{V}$, $V_{OH} = 1\text{V}$ $V_{DD} = 3\text{V}$, $V_{OH} = 1\text{V}$
		10	25	50	mA	
Keyboard contact resistance	2-12					
		Closed	0		20	$\text{k}\Omega$
	Open	100		∞	$\text{k}\Omega$	
Oscillator Frequency	16,17	400		1000	kHz	

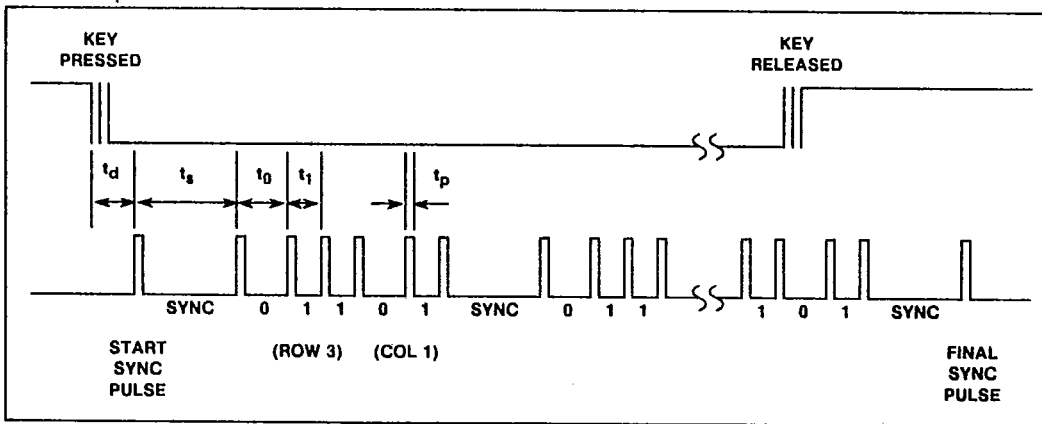


Fig 3 PPM Data Timing

TIMING

RATE INPUTS		RATE VALUE 'T' (CLOCK CYCLES)
B	A	
0	0	OUTPUT INHIBITED
0	1	2048
1	0	1024
1	1	512

Table 1 Rate Control

DELAY TIME, $t_d = 1024$ CLOCK CYCLES (min)
 SYNC TIME, $t_s = 6T$ (see Table 1)
 LOGIC 0 TIME, $t_0 = 3T$
 LOGIC 1 TIME, $t_1 = 2T$
 PULSE WIDTH, $t_p = 8$ CLOCK CYCLES

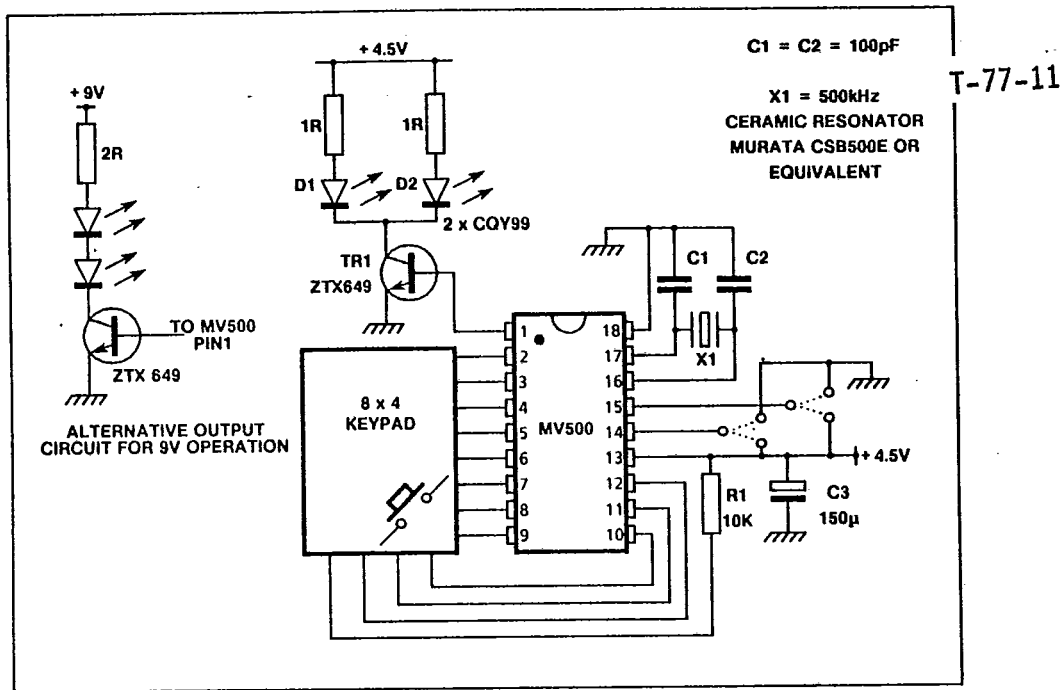


Fig 4 Infra-red Application Circuit

OPERATION

The circuit diagram of Fig.4 shows a typical infra-red transmitter operating from a 4.5V supply. When no key is pressed, the MV500 remains in its power down mode, isolating the oscillator and most of the logic from the supply, thus minimising the drain on the battery. The output is held low.

The device may be activated in one of two ways:-

- one or both of the RATE inputs is held high, then a key switch is closed connecting any COLUMN to any ROW, or
- any COLUMN and ROW are connected, then one or both of the RATE inputs is taken high.

Once activated, power is applied to the rest of the device, the oscillator started and a delay imposed before any change at the output occurs. After this time, an initial sync pulse is transmitted, followed by the code word, which is repeated for as long as the key remains pressed. When the key is released, the word being transmitted is completed before the device enters its standby mode again.

Taking both RATE inputs low will also force the device into its power down state at the end of the current word. A final sync pulse is always added at the end of the last word to be transmitted (Fig. 3).

When the transmitter is operated from a 9V battery, two infra-red LEDs may be used in series as shown inset in Fig. 4. At other voltages, consideration must be given to the arrangement of diodes used and a small resistance (1 or 2 Ω) may be necessary in series with the diodes to limit the current. It should be noted that using two diodes in parallel increases the current drawn from the battery at each pulse. A significant increase in range may be obtained by using a plated plastic parabolic reflector in conjunction with one or two diodes, rather than simply increasing the number or power of the diodes used. Transistor TR1 should be chosen to have high current gain and fast switching speeds at the current levels relevant to the diode arrangement used.