



## POWER PLUG 24W

### AC/DC POWER SUPPLY

REV. 01

#### FEATURES

- PRIMARY SWITCHED WALL PLUG-IN power supply
- WIDE RANGE INPUT VOLTAGE 90÷264V<sub>ac</sub>
- 24W SINGLE OUTPUT
- EMC COMPLIANCE ACCORDING TO EU DIRECTIVES
- SAFETY APPROVAL ACCORDING TO EN60950 / EN60065
- CE MARKED
- OUTPUT VOLTAGE PRECISION: ±5%
- OUTPUT RIPPLE VOLTAGE <0.15%
- OUTPUT SHORT CIRCUIT PROTECTION
- 2 WIRES DC CORD TERMINATED WITH 5.5 mm (ext. diam.) / 2.1 mm (int. diam.) JACK CONNECTOR
- AVAILABLE WITH EU, UK and USA PLUGS
- COMPLIANT with ETSI STAND BY POWER LOSSES REQUIREMENTS



EURO PLUG



UK PLUG

Plug Type	Ordering Number
EURO	GASC-2410STM/1
UK	GASC-2410STM/2
USA	GASC-2410STM/3

## POWER PLUG 24W



US PLUG

### DESCRIPTION

The Power Plug is a high efficiency AC/DC switch mode constant voltage generator. Designed for a variety of residential user applications, this wall plug-in power supply performs up to 24W output power. The output voltage and current levels can be set up by design in accordance with customer requirements.

Typical reference values for the off the shelf solution are 24V and 1A with the input  $V_{ac}$  230  $V_{rms}$ . Coming into a compact housing, the power plug can be assembled with EU, UK and USA plugs identified by specific ordering numbers. Output DC power is ensured via a 2 wires cord with strain relief, terminated with a barrel connector. Typical weight is 100 grams only, without cable.

### ELECTRICAL CHARACTERISTICS ( $T_{amb}=25^{\circ}C$ , unless otherwise specified.)

Symbol	Parameter	Test Condition	Min.	Typ.	Max.	Unit
$V_i$	Input Voltage	$I_o = 0$ to 1.05 A	90		264	$V_{RMS}$
$I_o$	Output Current	$T_{ambient} = 40^{\circ}C$ , $V_{ac}$ 90-132			0.8	A
$I_o$	Output Current	$T_{ambient} = 40^{\circ}C$ , $V_{ac}$ 184-264			1.05	A
$V_o$	Output Voltage	$I_o = 0$ to 1.05 A	22.8	24	25.2	V
$V_{or}$	Output Ripple	$I_o = 1.05$ A			200	mVpp
$I_{osc}$	Output short circuit current	Hiccup Mode			1.3	A
$\eta$	Efficiency	$P_O = 24W$	84		86	%
$P_{stand\ by}$	Power losses in no load condition	$V_i = 230 V_{RMS}$ $I_o = 0$ mA		1.0		W
$V_{is}$	Isolation voltage	Input to output	3000			$V_{RMS}$
$T_{op}$	Operating Ambient Temperature		0		40	$^{\circ}C$
$T_{stg}$	Storage Temperature Range		-20		70	$^{\circ}C$

### AGENCY APPROVALS

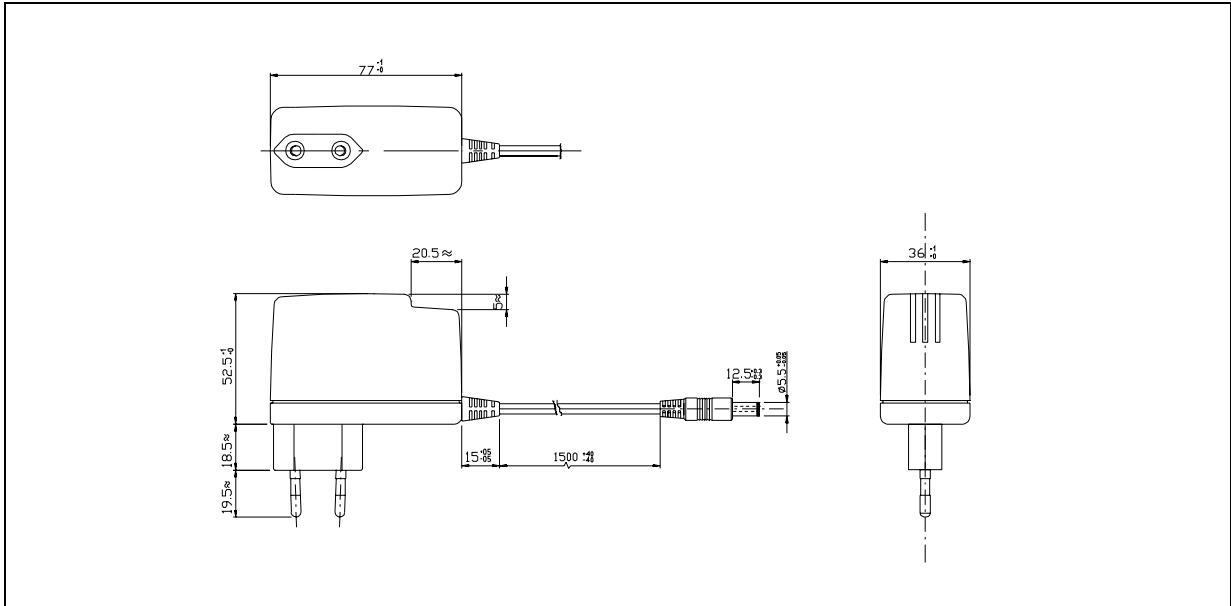
The Power Plug is certified by competent agencies to comply with most popular safety and EMC requirements, including but not limited to:

EN60950

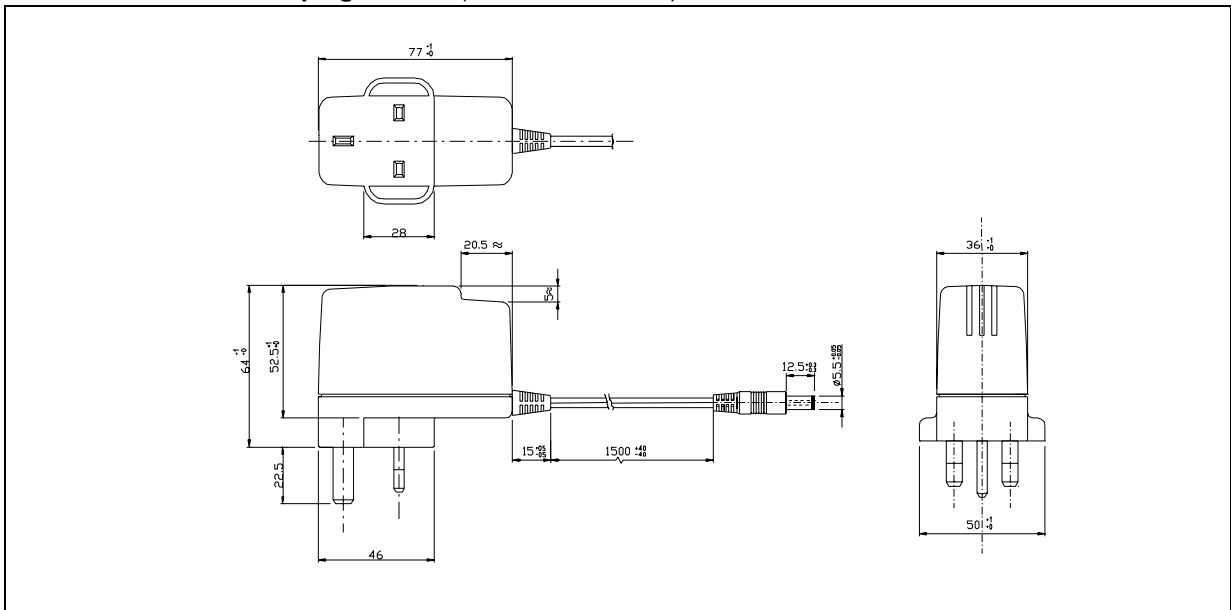
ETS300-342-1

EN60065

MECHANICAL DATA EURO plug version (dimensions in mm)

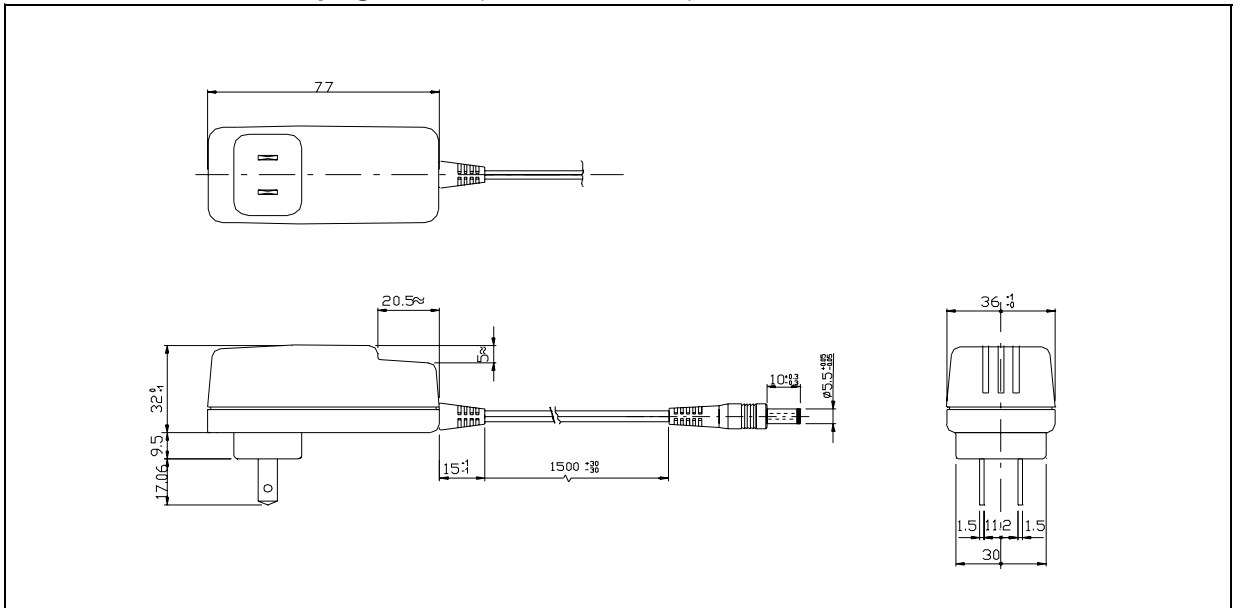


MECHANICAL DATA UK plug version (dimensions in mm)



## POWER PLUG 24W

### MECHANICAL DATA USA plug version (dimensions in mm)



Information furnished is believed to be accurate and reliable. However, STMicroelectronics assumes no responsibility for the consequences of use of such information nor for any infringement of patents or other rights of third parties which may result from its use. No license is granted by implication or otherwise under any patent or patent rights of STMicroelectronics. Specifications mentioned in this publication are subject to change without notice. This publication supersedes and replaces all information previously supplied. STMicroelectronics products are not authorized for use as critical components in life support devices or systems without express written approval of STMicroelectronics.

The ST logo is a registered trademark of STMicroelectronics  
© 2003 STMicroelectronics - All Rights Reserved

STMicroelectronics GROUP OF COMPANIES  
Australia - Brazil - Canada - China - Finland - France - Germany - Hong Kong - India - Israel - Italy - Japan - Malaysia - Malta - Morocco -  
Singapore - Spain - Sweden - Switzerland - United Kingdom - U.S.A.  
<http://www.st.com>