

lamp and relay drivers

NEW

TDE 1797

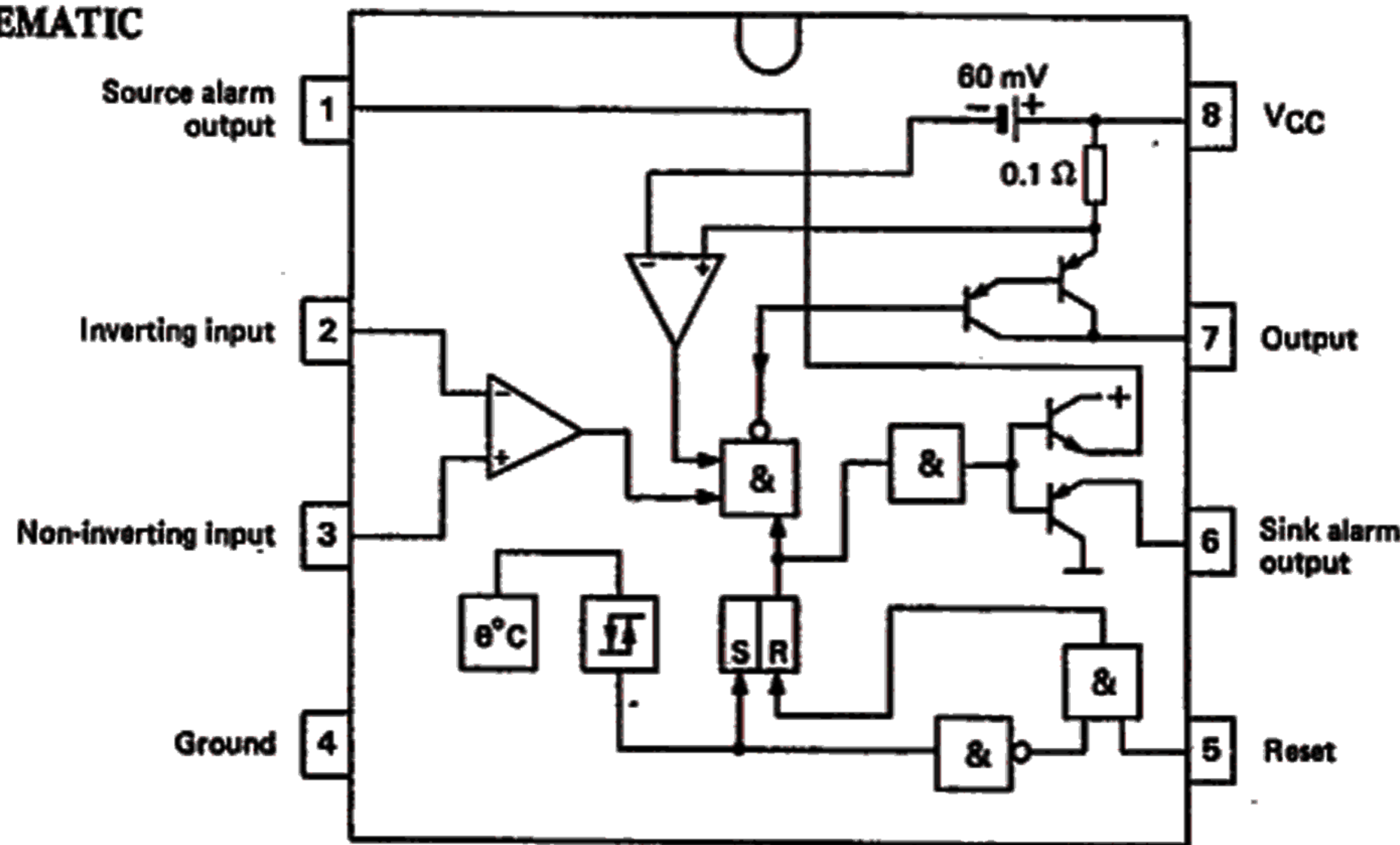
Protected control circuit for industrial equipments



DIL8

- Power switching required by relays or lamps (0.5 A - 35 V)
- Protection of drive circuits while it is itself also protected against output short-circuits.
- Efficiently monitoring of system operation by alarm signal outputs.
- Restart equipment after any fault condition, thanks to the availability of reset input.
- I/O interface.

INTERNAL SCHEMATIC



RELAY AND LAMP DRIVERS (T_{amb} = +25° C)

| CHARACTERISTIC | SYMBOL | UNIT | TDE 1807 | TDE 1847 | TDE 1737 | TDE 1747 | TDE 1767 | TDE 1787 A | TDE 1787 | TDE 1787 A | TDE 1797 | TDE 3207 |
|-------------------------------|---------------------------------------------------|------|-------------------------|-------------------------|-------------------------|-------------------------|----------|------------|----------|------------|----------|-------------------------|
| Supply voltage | V _{CC} max. | V | 36 | 50 | 50 | 50 | 50 | 60 | 50 | 60 | 50 | 36 |
| Output current | I _{ONOM} | mA | 300 | 300 | 300 | 300 | 500 | 500 | 300 | 300 | 500 | 150 |
| Input offset voltage | V _{IO} max. | mV | 50 | 50 | 50 | 50 | 50 | 50 | 50 | 50 | 50 | 50 |
| Input bias current | I _B typ. | μA | 0.1 | 0.1 | 0.1 | 0.1 | 15 | 15 | 15 | 15 | 15 | 0.1 |
| Short-circuit current | I _{SC} | mA | 500* | 500* | 500* | 500* | 900* | 900* | 500* | 500* | 800 | 250* |
| High level saturation voltage | (V _{CC} -V _O) _{max} | V | 1.8 | 1.4 | Low 1.5 | 1.4 | 1.2 | 1.2 | 1.2 | 1.2 | 1.25 | 1.8 |
| Input voltage range | V _{CM} | V | 2 to V _{CC} -2 | 2 to V _{CC} -2 | 2 to V _{CC} -2 | 2 to V _{CC} -2 | 1 to 45 | 1 to 60 | 1 to 45 | 1 to 60 | 1 to 45 | 2 to V _{CC} -2 |

| | TDE 1807 | TDE 1847 | TDE 1737 | TDE 1747 | TDE 1767 | TDE 1787 A | TDE 1787 | TDE 1787 A | TDE 1797 | TDE 3207 |
|--|----------|----------|----------|----------|----------|------------|----------|------------|----------|-----------------|
| | ● | ● | ● | | | | | | | Plastic SO 14 |
| | ● | ● | ● | ● | ● | ● | ● | ● | ● | Plastic DIL 8 |
| | ● | ● | ● | ● | | | | | | 6 pin metal can |

* External limitation by one resistor