

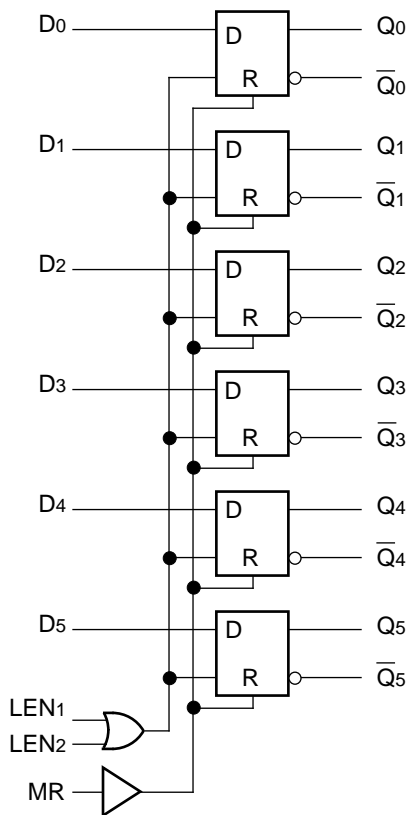
FEATURES

- 700ps max. propagation delay
- Extended 100E VEE range of -4.2V to -5.5V
- Differential outputs
- Fully compatible with industry standard 10KH, 100K ECL levels
- Internal 75KΩ input pulldown resistors
- Fully compatible with Motorola MC10E/100E150
- Available in 28-pin PLCC package

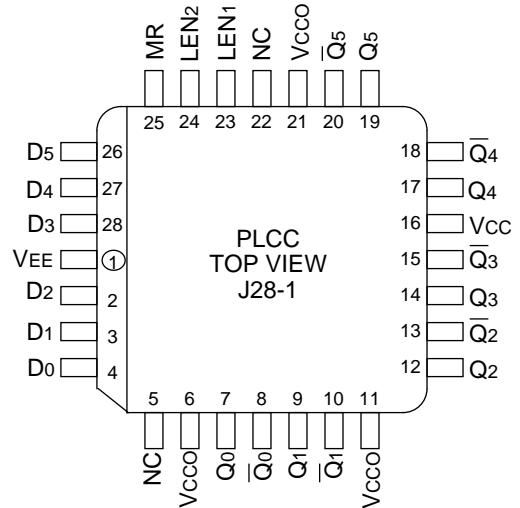
DESCRIPTION

The SY10/100E150 are 6-bit D latches with differential outputs designed for use in new, high-performance ECL systems. When both Latch Enables (LEN₁, LEN₂) are at a logic LOW, the latch is in the transparent mode and input data propagates through to the output. A logic HIGH on either LEN₁ or LEN₂ (or both) latches the input data. The Master Reset (MR) overrides all other signals to set the Q outputs to a logic LOW.

BLOCK DIAGRAM



PIN CONFIGURATION



PIN NAMES

Pin	Function
D0-D5	Data Inputs
LEN1, LEN2	Latch Enables
MR	Master Reset
Q0-Q5	True Outputs
Q ₀ -Q ₅	Inverting Outputs
VCCO	Vcc to Output

TRUTH TABLE⁽¹⁾

(Each Latch)

INPUTS			MR	OUTPUTS		Operating Mode
D _n	LEN ₁	LEN ₂		Q _n	\bar{Q}_n	
H	L	L	L	H	L	Latch
L	L	L	L	L	H	
X	X	H	L	Latched ⁽²⁾	Latched ⁽²⁾	
X	H	X	L	Latched ⁽²⁾	Latched ⁽²⁾	
X	X	X	H	L	H	Asynchronous

NOTES:

- H = HIGH state
L = LOW state
X = Don't care
- Retains Data that is present before the LEN positive transition.

DC ELECTRICAL CHARACTERISTICSV_{EE} = V_{EE} (Min.) to V_{EE} (Max.); V_{CC} = V_{CC0} = GND

Symbol	Parameter	T _A = 0°C			T _A = +25°C			T _A = +85°C			Unit	Condition
		Min.	Typ.	Max.	Min.	Typ.	Max.	Min.	Typ.	Max.		
I _{IH}	Input HIGH Current	—	—	200	—	—	200	—	—	200	μA	—
	D LEN MR	—	—	150	—	—	150	—	—	150		
I _{EE}	Power Supply Current	—	—	—	—	—	—	—	—	—	mA	—
	10E	—	52	62	—	52	62	—	52	62		
	100E	—	52	62	—	52	62	—	60	72		

AC ELECTRICAL CHARACTERISTICS

VEE = VEE (Min.) to VEE (Max.); VCC = VCCO = GND

Symbol	Parameter	TA = 0°C			TA = +25°C			TA = +85°C			Unit	Condition
		Min.	Typ.	Max.	Min.	Typ.	Max.	Min.	Typ.	Max.		
tPLH tPHL	Propagation Delay to Output D LEN MR	250 375 450	375 500 625	550 700 750	250 375 450	375 500 625	550 700 750	250 375 450	375 500 625	550 700 750	ps	—
ts	Set-up Time, D	200	50	—	200	50	—	200	50	—	ps	—
tH	Hold Time, D	200	-50	—	200	-50	—	200	-50	—	ps	—
tRR	Reset Recovery Time	750	650	—	750	650	—	750	650	—	ps	—
tPW	Minimum Pulse Width, MR	400	—	—	400	—	—	400	—	—	ps	—
tskew	Within-Device Skew	—	50	—	—	50	—	—	50	—	ps	1
tr tf	Rise/Fall Time 20% to 80%	300	450	650	300	450	650	300	450	650	ps	—

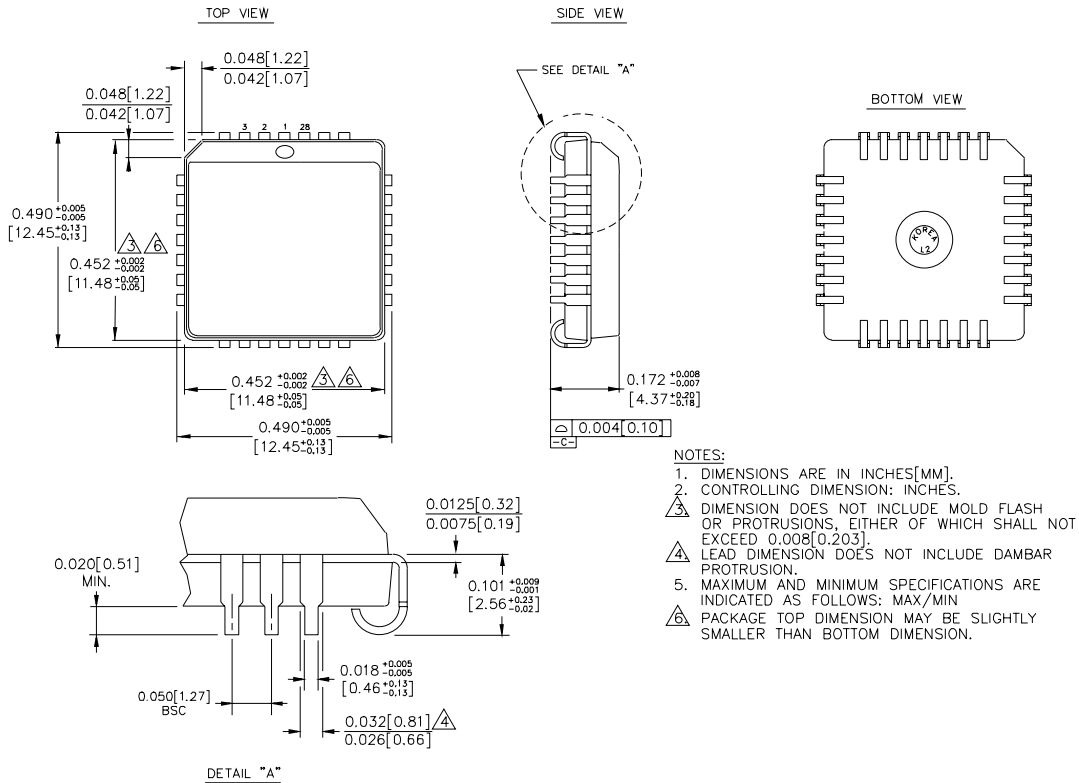
NOTE:

1. Within-device skew is defined as identical transitions on similar paths through a device.

PRODUCT ORDERING CODE

Ordering Code	Package Type	Operating Range
SY10E150JC	J28-1	Commercial
SY10E150JCTR	J28-1	Commercial
SY100E150JC	J28-1	Commercial
SY100E150JCTR	J28-1	Commercial

28 LEAD PLCC (J28-1)



- NOTES:
1. DIMENSIONS ARE IN INCHES[MM].
 2. CONTROLLING DIMENSION: INCHES.
 3. DIMENSION DOES NOT INCLUDE MOLD FLASH OR PROTRUSIONS, EITHER OF WHICH SHALL NOT EXCEED 0.008[0.203].
 4. LEAD DIMENSION DOES NOT INCLUDE DAMBAR PROTRUSION.
 5. MAXIMUM AND MINIMUM SPECIFICATIONS ARE INDICATED AS FOLLOWS: MAX/MIN
 6. PACKAGE TOP DIMENSION MAY BE SLIGHTLY SMALLER THAN BOTTOM DIMENSION.

Rev. 03

MICREL-SYNERGY 3250 SCOTT BOULEVARD SANTA CLARA CA 95054 USA

TEL + 1 (408) 980-9191 FAX + 1 (408) 914-7878 WEB <http://www.micrel.com>

This information is believed to be accurate and reliable, however no responsibility is assumed by Micrel for its use nor for any infringement of patents or other rights of third parties resulting from its use. No license is granted by implication or otherwise under any patent or patent right of Micrel Inc.

© 2000 Micrel Incorporated