

Off-Line Current Mode PWM Control Circuit with Undervoltage Lockout

Description

The CS284XA, CS384XA provides all the necessary features to implement off-line fixed frequency current-mode control with a minimum number of external components.

The CS384XA family incorporates a new precision temperature-controlled oscillator with an internally trimmed discharge current to minimize variations in frequency. A precision duty-cycle clamp eliminates the need for an external oscillator when a 50% duty-cycle is used. Duty-cycles greater than 50% are also possible. On board logic ensures that V_{REF} is stabilized before

the output stage is enabled. Ion implant resistors provide tighter control of undervoltage lockout.

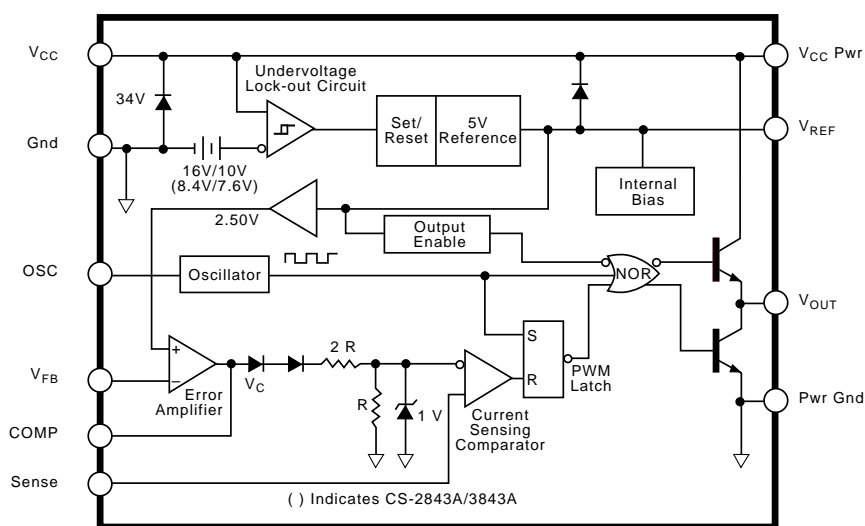
Other features include low start-up current, pulse-by-pulse current limiting, and a high-current totem pole output for driving capacitive loads, such as the gate of power MOSFET. The output is LOW in the off state, consistent with N-channel devices.

The CS384XA series of current-mode control ICs are available in 8 and 14 lead packages for surface mount (SO) applications as well as 8 lead PDIP packages.

Absolute Maximum Ratings

Supply Voltage ($I_{CC} < 30mA$).....	Self Limiting
Supply Voltage (Low Impedance Source)	30V
Output Current.....	$\pm 1A$
Output Energy (Capacitive Load)	5 μ J
Analog Inputs (V_{FB} , Sense).....	-0.3V to 5.5V
Error Amp Output Sink Current	10mA
Lead Temperature Soldering	
Wave Solder (through hole styles only)	10 sec. max, 260°C peak
Reflow (SMD styles only)	60 sec. max above 183°C, 230°C peak

Block Diagram

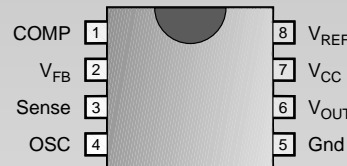


Features

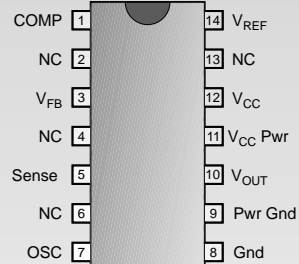
- Optimized for Off-line Control
- Internally Trimmed Temperature Compensated Oscillator
- Maximum Duty-cycle Clamp
- V_{REF} stabilized before Output Stage is Enabled
- Low Start-up Current
- Pulse-by-pulse Current Limiting
- Improved Undervoltage Lockout
- Double Pulse Suppression
- 1% Trimmed Bandgap Reference
- High Current Totem Pole Output

Package Options

8 Lead PDIP & SO Narrow



14 Lead SO Narrow



Electrical Characteristics: $-25^{\circ} \leq T_A \leq 85^{\circ} \text{C}$ for CS2842A/2843A, $0^{\circ} \leq T_A \leq 70^{\circ} \text{C}$ for CS3842A/3843A. $V_{CC} = 15\text{V}$ (Note 1); $R_T = 680\Omega$, $C_T = .022\mu\text{F}$ for triangular mode, $R_T = 10\text{k}\Omega$, $C_T = 3.3\text{nF}$ for sawtooth mode (see Figure 3), unless otherwise stated.

PARAMETER	TEST CONDITIONS	CS2842A/CS2843A			CS3842A/CS3843A			UNITS
		MIN	TYP	MAX	MIN	TYP	MAX	
Reference Section								
Output Voltage	$T_J = 25^{\circ}\text{C}$, $I_{OUT} = 1\text{mA}$	4.95	5.00	5.05	4.90	5.00	5.10	V
Line Regulation	$12 \leq V_{IN} \leq 25\text{V}$		6	20		6	20	mV
Load Regulation	$1 \leq I_{OUT} \leq 20\text{mA}$		6	25		6	25	mV
Temperature Stability	(Note 2)		0.2	0.4		0.2	0.4	mV/ $^{\circ}\text{C}$
Total Output Variation	Line, Load, Temp. (Note 2)	4.90		5.10	4.82		5.18	V
Output Noise Voltage	$10\text{Hz} \leq f \leq 10\text{kHz}$, $T_J = 25^{\circ}\text{C}$ (Note 2)		50			50		μV
Long Term Stability	$T_A = 125^{\circ}\text{C}$, 1kHrs. (Note 2)		5	25		5	25	mV
Output Short Circuit	$T_A = 25^{\circ}\text{C}$	-30	-100	-180	-30	-100	-180	mA
Oscillator Section								
Initial Accuracy	Sawtooth Mode (see Fig. 3), $T_J = 25^{\circ}\text{C}$	47	52	57	47	52	57	kHz
	Triangular Mode (see Fig. 3), $T_J = 25^{\circ}\text{C}$	47	52	57	44	52	60	kHz
Voltage Stability	$12 \leq V_{CC} \leq 25\text{V}$		0.2	1.0		0.2	1.0	%
Temp. Stability	Sawtooth Mode $T_{MIN} \leq T_A \leq T_{MAX}$ (Note 2)		5			5		%
	Triangular Mode $T_{MIN} \leq T_A \leq T_{MAX}$ (Note 2)		8			8		%
Amplitude	OSC peak to peak		1.7			1.7		V
Discharge Current	$T_J = 25^{\circ}\text{C}$	7.5	8.3	9.3	7.5	8.3	9.3	mA
	$T_{MIN} \leq T_A \leq T_{MAX}$	7.2		9.5	7.2		9.5	mA
Error Amp Section								
Input Voltage	$V_{COMP} = 2.5\text{V}$	2.45	2.50	2.55	2.42	2.50	2.58	V
Input Bias Current	$V_{FB} = 0$		-0.3	-1.0		-0.3	-2.0	μA
A_{VOL}	$2 \leq V_{OUT} \leq 4\text{V}$	65	90		65	90		dB
Unity Gain Bandwidth	(Note 2)	0.7	1.0		0.7	1.0		MHz
PSRR	$12 \leq V_{CC} \leq 25\text{V}$	60	70		60	70		dB
Output Sink Current	$V_{FB} = 2.7\text{V}$, $V_{COMP} = 1.1\text{V}$	2	6		2	6		mA
Output Source Current	$V_{FB} = 2.3\text{V}$, $V_{COMP} = 5\text{V}$	-0.5	-0.8		-0.5	-0.8		mA
V_{OUT} High	$V_{FB} = 2.3\text{V}$, $R_L = 15\text{k}\Omega$ to ground	5	6		5	6		V
V_{OUT} Low	$V_{FB} = 2.7\text{V}$, $R_L = 15\text{k}\Omega$ to V_{REF}		0.7	1.1		0.7	1.1	V
Current Sense Section								
Gain	(Notes 3 & 4)	2.85	3.00	3.15	2.85	3.00	3.15	V/V
Maximum Input Signal	$V_{COMP} = 5\text{V}$ (Note 3)	0.9	1.0	1.1	0.9	1.0	1.1	V
PSRR	$12 \leq V_{CC} \leq 25\text{V}$ (Note 3)		70			70		dB
Input Bias Current	$V_{sense} = 0$		-2	-10		-2	-10	μA
Delay to Output	$T_J = 25^{\circ}\text{C}$ (Note 2)		150	300		150	300	ns
Output Section								
Output Low Level	$I_{SINK} = 20\text{mA}$		0.1	0.4		0.1	0.4	V
	$I_{SINK} = 200\text{mA}$		1.5	2.2		1.5	2.2	V
Output High Level	$I_{SOURCE} = 20\text{mA}$	13.0	13.5		13.0	13.5		V
	$I_{SOURCE} = 200\text{mA}$	12.0	13.5		12.0	13.5		V

Electrical Characteristics: continued

CS2842A/3843A SERIES

PARAMETER	TEST CONDITIONS	CS2842A/CS2843A			CS3842A/CS3843A			UNITS
		MIN	TYP	MAX	MIN	TYP	MAX	
■ Output Section: continued								
Rise Time	T _J = 25°C, C _L = 1nF (Note 2)		50	150		50	150	ns
Fall Time	T _J = 25°C, C _L = 1nF (Note 2)		50	150		50	150	ns
Output Leakage	UVLO Active, V _{OUT} = 0		-0.01	-10.00		-0.01	-10.00	μA
■ Total Standby Current								
Start-Up Current			0.5	1.0		0.5	1.0	mA
Operating Supply Current	V _{FB} = V _{Sense} = 0V, R _T = 10kΩ, C _T = 3.3nF	11	17		11	17		mA
V _{CC} Zener Voltage	I _{CC} = 25mA		34			34		V

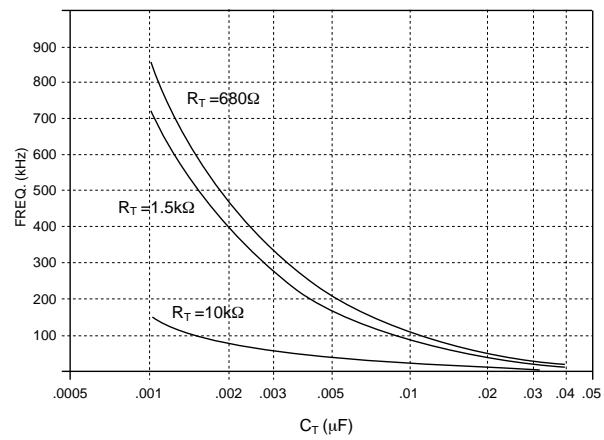
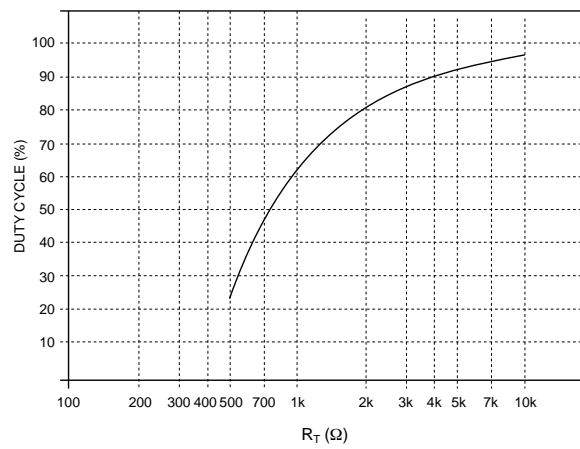
PARAMETER	TEST CONDITIONS	CS2842A			CS3842A			CS2843A/CS3843A			UNITS
		MIN	TYP	MAX	MIN	TYP	MAX	MIN	TYP	MAX	
■ Under-Voltage Lockout Section											
Start Threshold		15	16	17	14.5	16.0	17.5	7.8	8.4	9.0	V
Min. Operating Voltage	After Turn On	9	10	11	8.5	10.0	11.5	7.0	7.6	8.2	V

- Notes:**
1. Adjust V_{CC} above the start threshold before setting at 15V.
 2. These parameters, although guaranteed, are not 100% tested in production.
 3. Parameter measured at trip point of latch with V_{FB}=0.
 4. Gain defined as:

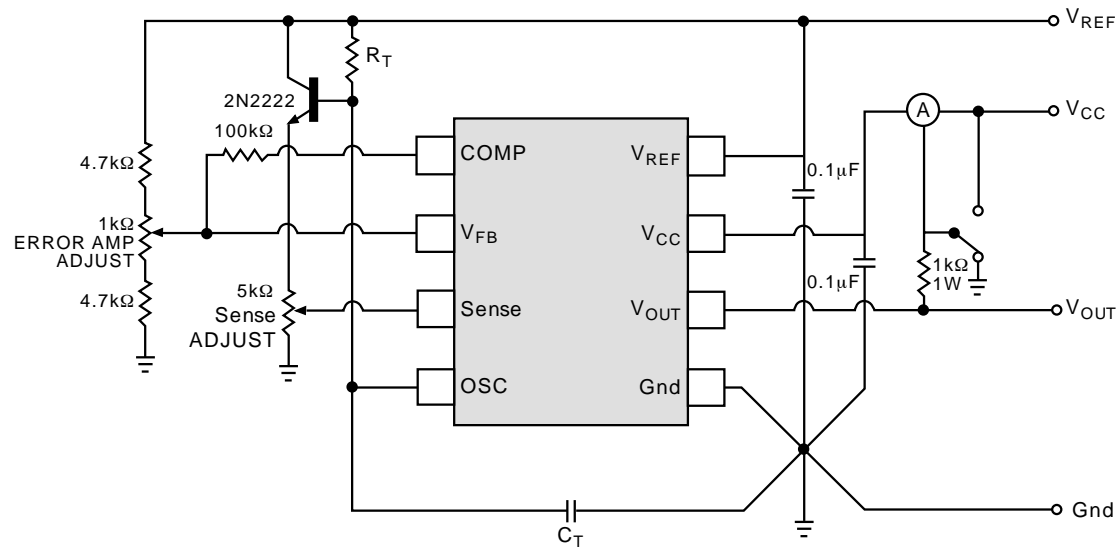
$$A = \frac{\Delta V_{COMP}}{\Delta V_{Sense}} ; 0 \leq V_{Sense} \leq 0.8V.$$

Package Pin Description

PACKAGE PIN #		PIN SYMBOL	FUNCTION
8L PDIP/SO	14L SO Narrow		
1	1	COMP	Error amp output, used to compensate error amplifier
2	3	V _{FB}	Error amp inverting input
3	5	Sense	Noninverting input to Current Sense Comparator
4	7	OSC	Oscillator timing network with Capacitor to Ground, resistor to V _{REF}
5	8	Gnd	Ground
	9	Pwr Gnd	Output driver Ground
6	10	V _{OUT}	Output drive pin
	11	V _{CCPWR}	Output driver positive supply
7	12	V _{CC}	Positive power supply
8	14	V _{REF}	Output of 5V internal reference
	2,4,6,13	NC	No Connection

Oscillator Frequency vs C_T Oscillator Duty Cycle vs R_T 

Test Circuit



Circuit Description

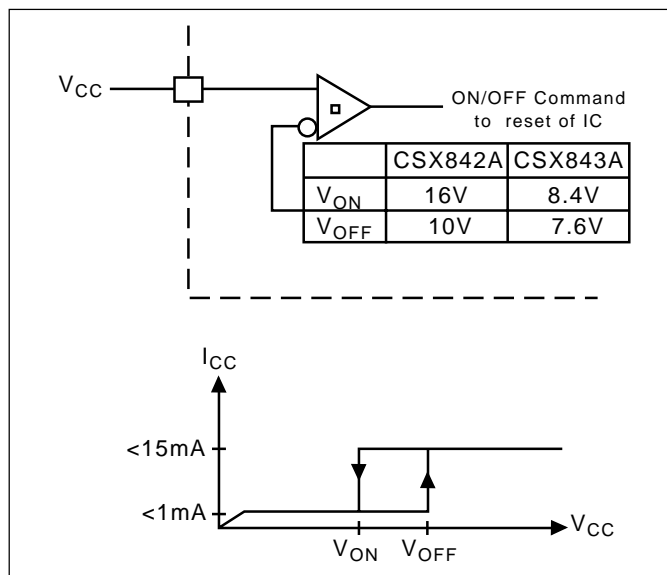


Figure 1: Typical Undervoltage Characteristics

Undervoltage Lockout

During Undervoltage Lockout (Figure 1), the output driver is biased to a high impedance state. The output should be shunted to ground with a resistor to prevent output leakage current from activating the power switch.

PWM Waveform

To generate the PWM waveform, the control voltage from the error amplifier is compared to a current sense signal which represents the peak output inductor current (Figure 2). An increase in V_{CC} causes the inductor current slope to increase, thus reducing the duty cycle. This is an inherent feed-forward characteristic of current mode control, since the control voltage does not have to change during changes of input supply voltage.

When the power supply sees a sudden large output current increase, the control voltage will increase allowing the duty cycle to momentarily increase. Since the duty cycle tends to exceed the maximum allowed to prevent trans-

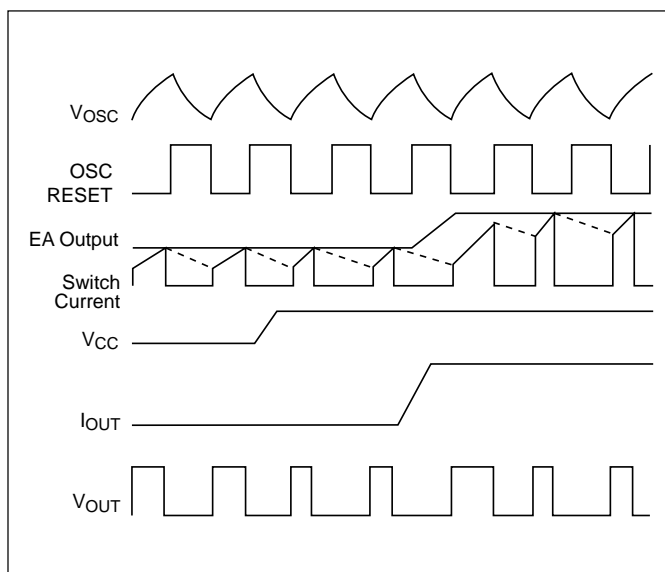


Figure 2: Timing Diagram for key CS2841B parameters

former saturation in some power supplies, the internal oscillator waveform provides the maximum duty cycle clamp as programmed by the selection of oscillator components.

Setting the Oscillator

Oscillator timing capacitor, C_T , is charged by V_{REF} through R_T and discharged by an internal current source. During the discharge time, the internal clock signal blanks out the output to the Low state, thus providing a user selected maximum duty cycle clamp. Charge and discharge times are determined by the formula:

$$t_c = R_T C_T \ln \left(\frac{V_{REF} - V_{lower}}{V_{REF} - V_{upper}} \right)$$

$$t_d = R_T C_T \ln \left(\frac{V_{REF} - I_d R_T - V_{lower}}{V_{REF} - I_d R_T - V_{upper}} \right)$$

Substituting in typical values for the parameters in the above formulas:

$$V_{REF} = 5.0V, V_{upper} = 2.7V, V_{lower} = 1.0V, I_d = 8.3mA$$

$$t_c \approx 0.5534 R_T C_T$$

$$t_d = R_T C_T \ln \left(\frac{2.3 - 0.0083 R_T}{4.0 - 0.0083 R_T} \right)$$

The frequency and maximum duty cycle can be determined using the Typical Performance Characteristic graphs.

Grounding

High peak currents associated with capacitive loads necessitate careful grounding techniques. Timing and bypass capacitors should be connected close to Gnd pin in a single point ground.

The transistor and $5k\Omega$ potentiometer, shown in the test circuit, are used to sample the oscillator waveform and apply an adjustable ramp to Sense.

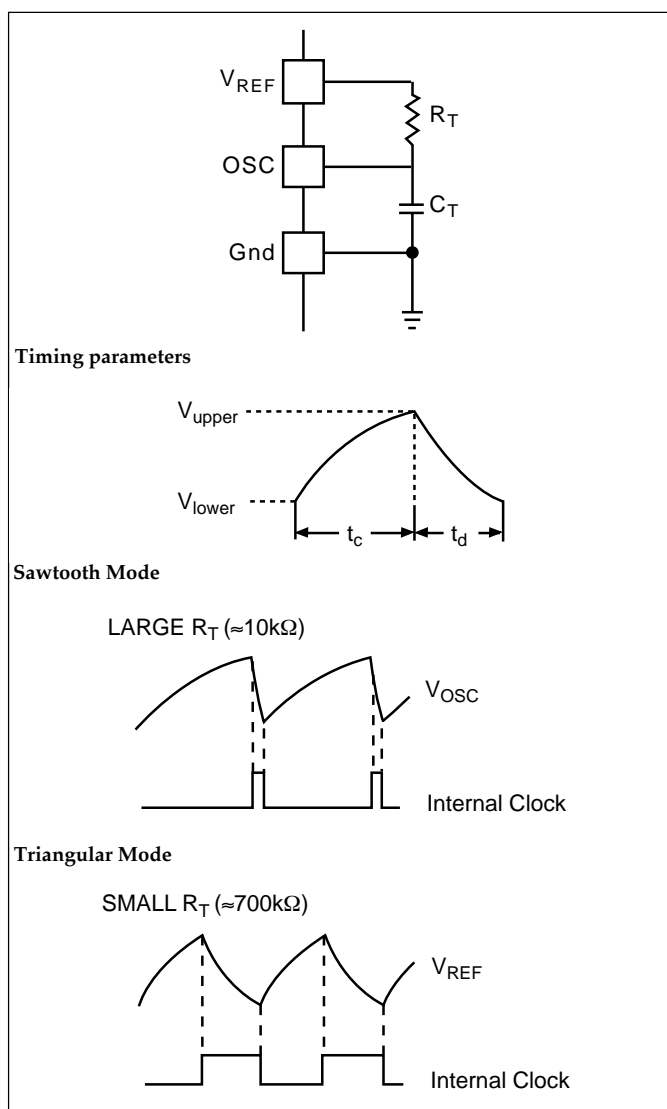


Figure 3: Oscillator Timing Network and parameters

Package Specification

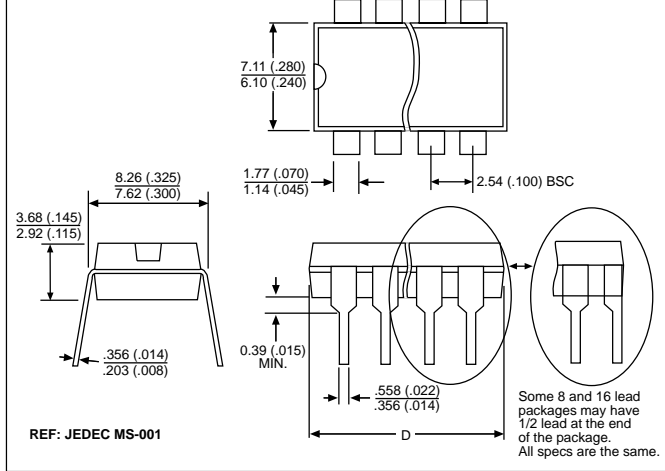
PACKAGE DIMENSIONS IN mm (INCHES)

Lead Count	D			
	Metric		English	
	Max	Min	Max	Min
8 Lead PDIP	10.16	9.02	.400	.355
8 Lead SO Narrow	5.00	4.80	.197	.189
14 Lead SO Narrow	8.75	8.55	.344	.337

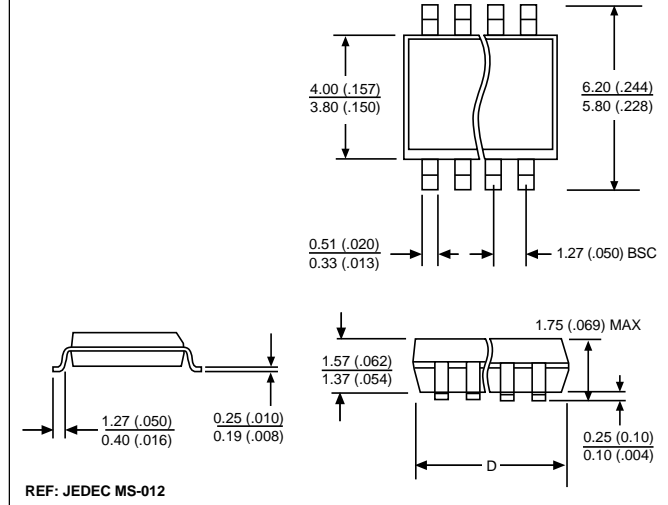
PACKAGE THERMAL DATA

Thermal Data	8 L PDIP	8 L SO Narrow	14 L SO Narrow	
R _{θJC} typ	52	45	30	°C/W
R _{θJA} typ	100	165	125	°C/W

Plastic DIP (N); 300 mil wide



Surface Mount Narrow Body (D); 150 mil wide



Ordering Information

Part Number	0°C to 70°C	-25°C to 85°C	Description
CS2842ALN8		•	8L PDIP
CS2843ALN8		•	8L PDIP
CS3842AGN8	•		8L PDIP
CS3842AGD8	•		8L SO Narrow
CS3842AGDR8	•		8L SO Narrow (tape & reel)
CS3842AGD14	•		14L SO Narrow
CS3842AGDR14	•		14L SO Narrow (tape & reel)
CS2843ALD14		•	14L SO Narrow
CS2843ALDR14		•	14L SO Narrow (tape & reel)
CS3843AGN8	•		8L PDIP
CS3843AGD8	•		8L SO Narrow
CS3843AGDR8	•		8L SO Narrow (tape & reel)
CS3843AGD14	•		14L SO Narrow
CS3843AGDR14	•		14L SO Narrow (tape & reel)

Cherry Semiconductor Corporation reserves the right to make changes to the specifications without notice. Please contact Cherry Semiconductor Corporation for the latest available information.