

MITSUBISHI MICROCOMPUTERS 3851 Group

SINGLE-CHIP 8-BIT CMOS MICROCOMPUTER

DESCRIPTION

The 3851 group is the 8-bit microcomputer based on the 740 family core technology.

The 3851 group is designed for the household products and office automation equipment and includes serial I/O functions, 8-bit timer, A-D converter, and I²C-bus interface.

FEATURES

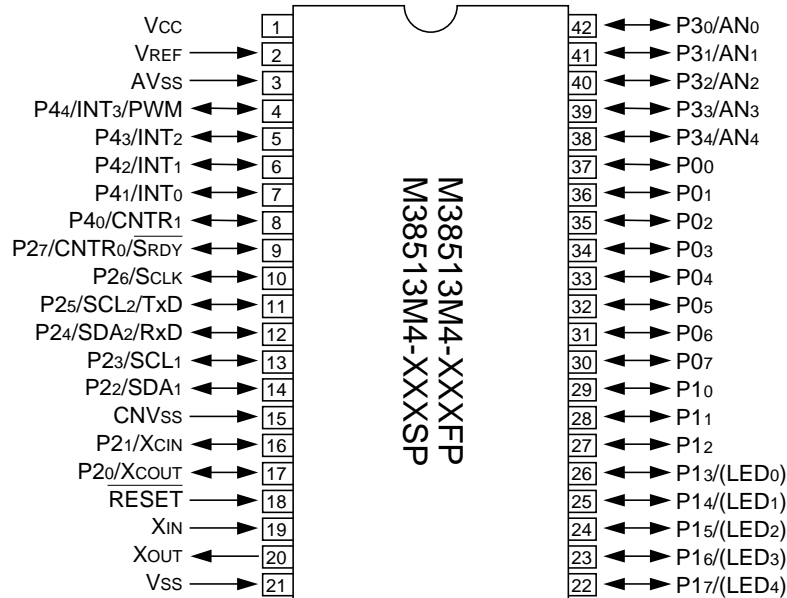
- Basic machine-language instructions 71
- Minimum instruction execution time 0.5 μs
(at 8 MHz oscillation frequency)
- Memory size
 - ROM 16 Kbytes
 - RAM 512 bytes
- Programmable input/output ports 34
- Interrupts 16 sources, 16 vectors
- Timers 8-bit X 4
- Serial I/O 8-bit X 1 (UART or Clock-synchronized)
- Multi-master I²C-bus interface (option) 1 channel
- PWM 8-bit X 1
- A-D converter 10-bit X 5 channels
- Watchdog timer 16-bit X 1
- Clock generating circuit Built-in 2 circuits
(connect to external ceramic resonator or quartz-crystal oscillator)

- Power source voltage
 - In high-speed mode 4.0 to 5.5 V
(at 8 MHz oscillation frequency)
 - In high-speed mode 2.7 to 5.5 V
(at 4 MHz oscillation frequency)
 - In middle-speed mode 2.7 to 5.5 V
(at 8 MHz oscillation frequency)
 - In low-speed mode 2.7 to 5.5 V
(at 32 kHz oscillation frequency)
- Power dissipation
 - In high-speed mode 34 mW
(at 8 MHz oscillation frequency, at 5 V power source voltage)
 - In low-speed mode 60 μW
(at 32 kHz oscillation frequency, at 3 V power source voltage)
- Operating temperature range -20 to 85°C

APPLICATION

Office automation equipment, FA equipment, Household products, Consumer electronics, etc.

PIN CONFIGURATION (TOP VIEW)



Package type : FP 42P2R-A (42-pin plastic-molded SSOP)
 Package type : SP 42P4B (42-pin shrink plastic-molded DIP)

Fig. 1 M38513M4-XXXXFP/SP pin configuration

FUNCTIONAL BLOCK

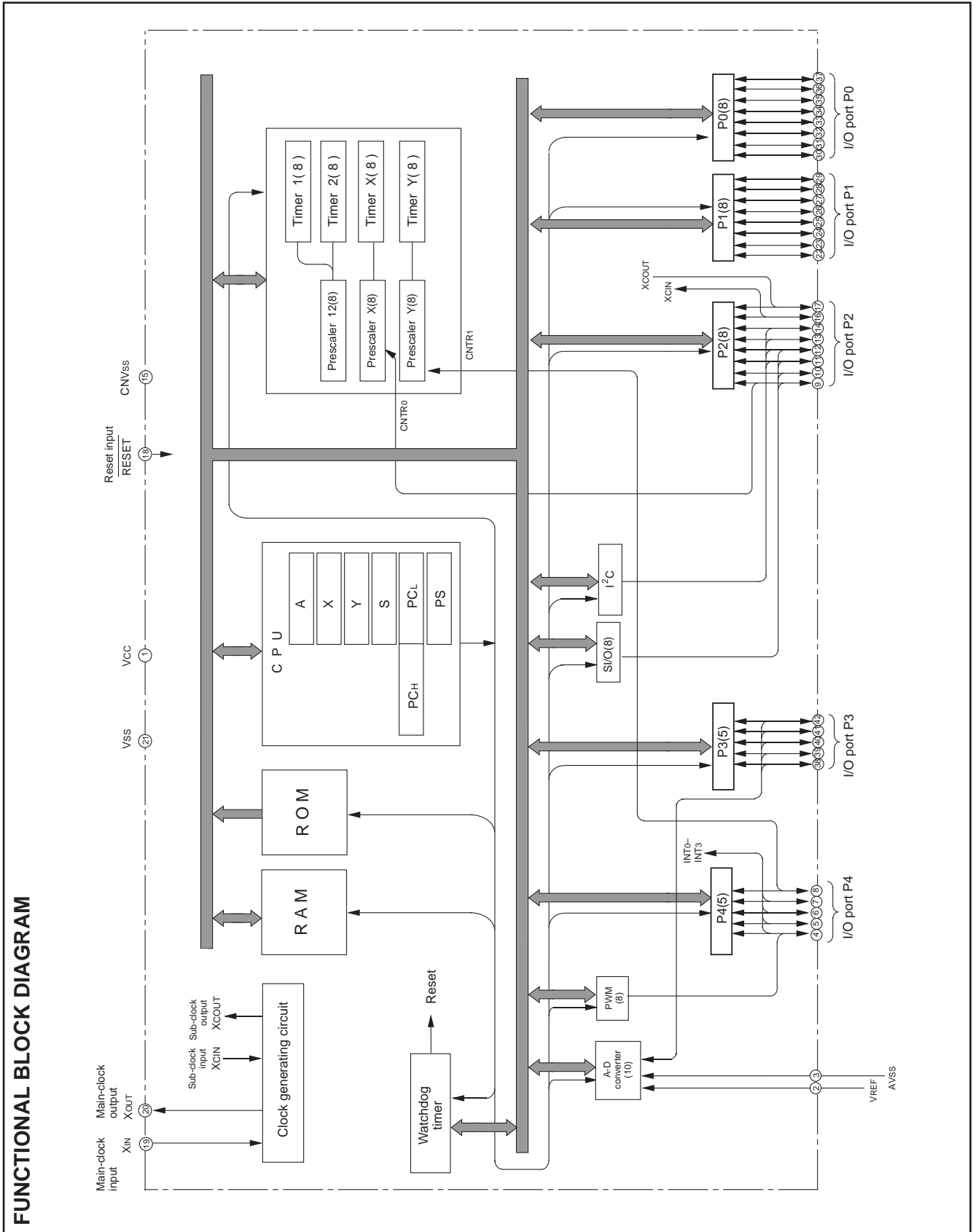


Fig. 2 Functional block diagram

PIN DESCRIPTION

Table 1 Pin description

| Pin | Name | Functions | |
|------------------------------|--------------|---|--|
| | | | Function except a port function |
| VCC, VSS | Power source | •Apply voltage of 2.7 V – 5.5 V to Vcc, and 0 V to Vss. | |
| CNVSS | CNVSS input | •This pin controls the operation mode of the chip. •Normally connected to VSS. | |
| RESET | Reset input | •Reset input pin for active “L.” | |
| XIN | Clock input | •Input and output pins for the clock generating circuit. •Connect a ceramic resonator or quartz-crystal oscillator between the XIN and XOUT pins to set the oscillation frequency. | |
| XOUT | Clock output | •When an external clock is used, connect the clock source to the XIN pin and leave the XOUT pin open. | |
| P00–P07 | I/O port P0 | •8-bit CMOS I/O port. •I/O direction register allows each pin to be individually programmed as either input or output. •CMOS compatible input level. | |
| P10–P17 | I/O port P1 | •CMOS 3-state output structure. •P13 to P17 (5 bits) are enabled to output large current for LED drive. | |
| P20/XCOUT P21/XCIN | I/O port P2 | •8-bit CMOS I/O port. •I/O direction register allows each pin to be individually programmed as either input or output. •CMOS compatible input level. •P22 to P25 can be switched between CMOS compatible input level or SMBUS input level in the I ² C-BUS interface function. •P20, P21, P24 to P27: CMOS3-state output structure. •P24, P25: N-channel open-drain structure in the I ² C-BUS interface function. •P22, P23: N-channel open-drain structure. | • Sub-clock generating circuit I/O pins (connect a resonator) |
| P22/SDA1 P23/SCL1 | | | • I ² C-BUS interface function pins |
| P24/SDA2/RxD P25/SCL2/TxD | | | • I ² C-BUS interface function pin/ Serial I/O function pins |
| P26/SCLK | | | • Serial I/O function pin |
| P27/CNTR0/ SRDY | | | • Serial I/O function pin/ Timer X function pin |
| P30/AN0– P34/AN4 | I/O port P3 | •8-bit CMOS I/O port with the same function as port P0. •CMOS compatible input level. •CMOS 3-state output structure. | • A-D converter input pin |
| P40/CNTR1 | I/O port P4 | •8-bit CMOS I/O port with the same function as port P0. •CMOS compatible input level. •CMOS 3-state output structure. | • Timer Y function pin |
| P41/INT0– P43/INT2 | | | • Interrupt input pins |
| P44/INT3/PWM | | | • Interrupt input pin • PWM output pin |

GROUP EXPANSION

Mitsubishi plans to expand the 3851 group as follows:

Packages

42P2R-A 42-pin plastic molded SSOP
 42P4B 42-pin shrink plastic-molded DIP

Memory Type

Support for mask ROM and One Time PROM versions.

Memory Size

ROM/PROM size 16 K bytes
 RAM size 512 bytes

Memory Expansion Plan

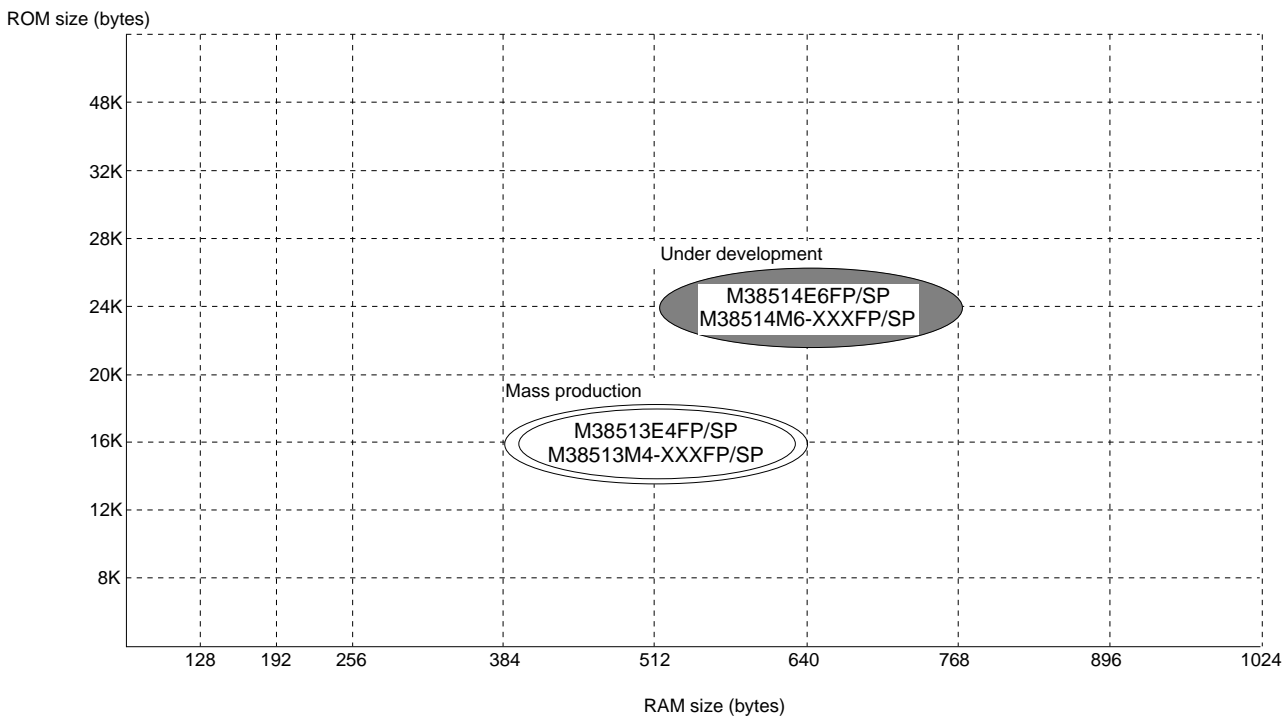


Fig. 3 Memory expansion plan

FUNCTIONAL DESCRIPTION
CENTRAL PROCESSING UNIT (CPU)

The 3851 group uses the standard 740 Family instruction set. Refer to the table of 740 Family addressing modes and machine instructions or the 740 Family Software Manual for details on the instruction set.

Machine-resident 740 Family instructions are as follows:

- The FST and SLW instructions cannot be used.
- The STP, WIT, MUL, and DIV instructions can be used.

[CPU Mode Register (CPUM)] 003B16

The CPU mode register contains the stack page selection bit, etc.
 The CPU mode register is allocated at address 003B16.

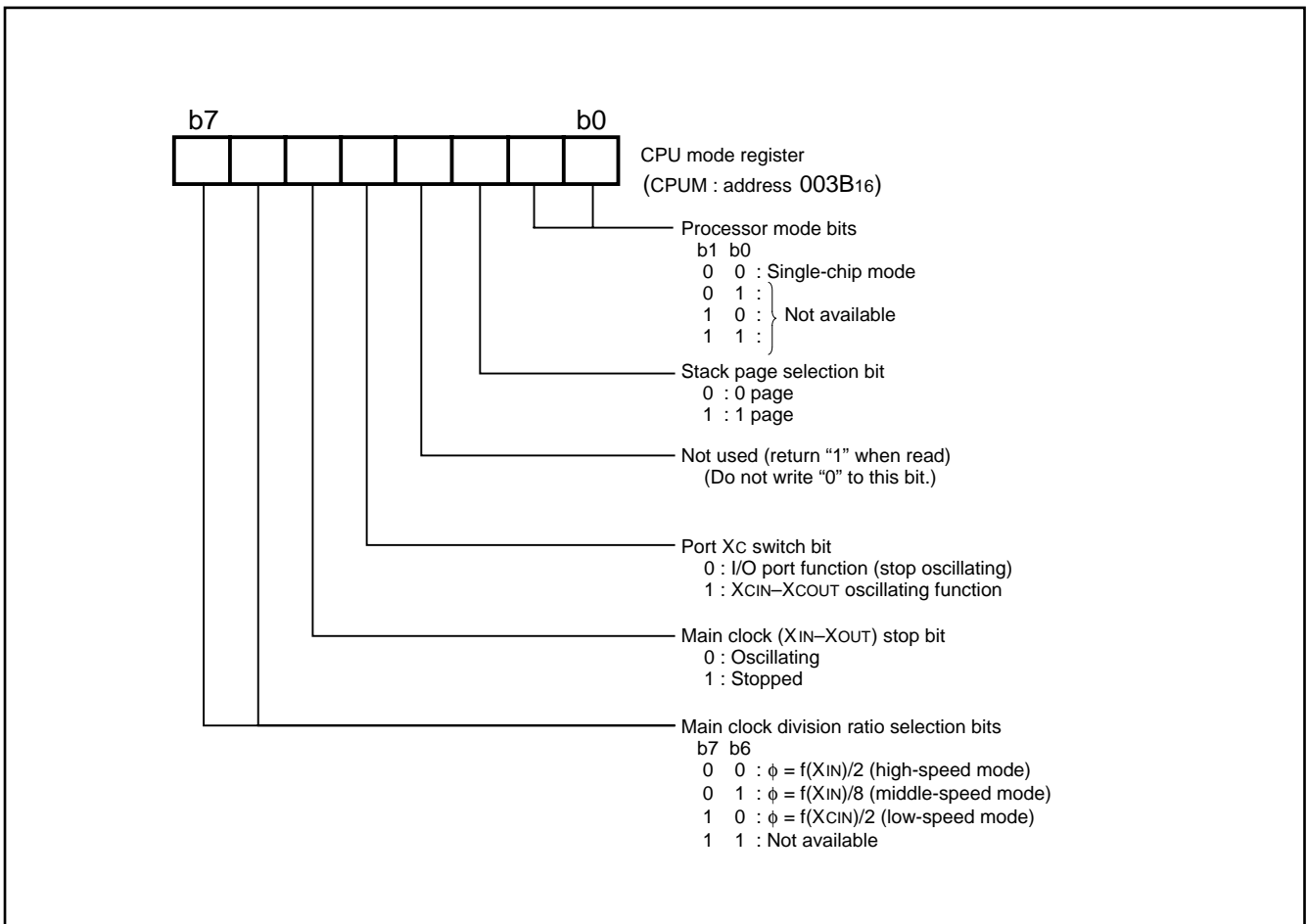


Fig. 4 Structure of CPU mode register

MEMORY

Special Function Register (SFR) Area

The Special Function Register area in the zero page contains control registers such as I/O ports and timers.

RAM

RAM is used for data storage and for stack area of subroutine calls and interrupts.

ROM

The first 128 bytes and the last 2 bytes of ROM are reserved for device testing and the rest is user area for storing programs.

Interrupt Vector Area

The interrupt vector area contains reset and interrupt vectors.

Zero Page

Access to this area with only 2 bytes is possible in the zero page addressing mode.

Special Page

Access to this area with only 2 bytes is possible in the special page addressing mode.

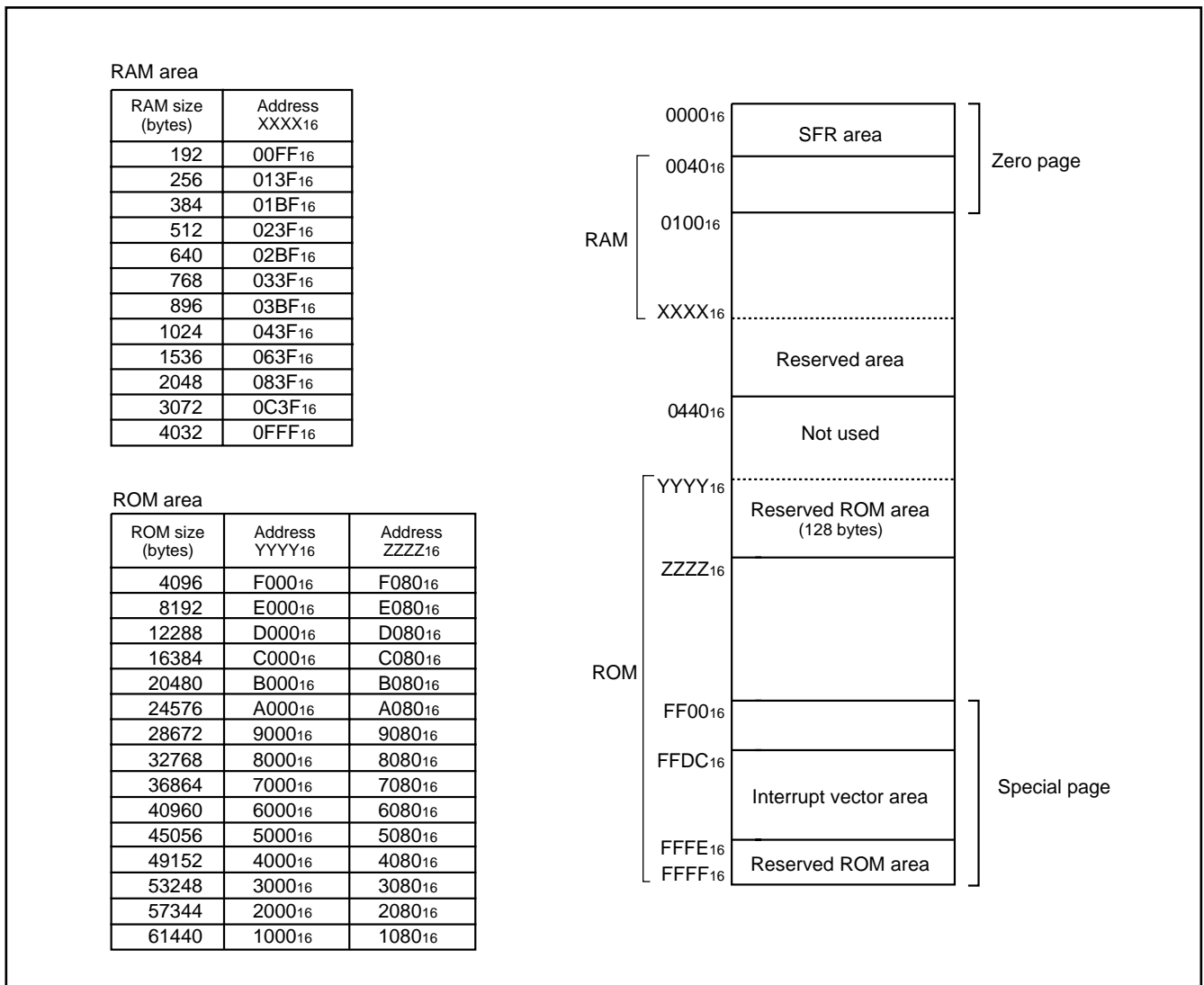


Fig. 5 Memory map diagram

| | | | |
|--------------------|--|--------------------|--|
| 0000 ₁₆ | Port P0 (P0) | 0020 ₁₆ | Prescaler 12 (PRE12) |
| 0001 ₁₆ | Port P0 direction register (P0D) | 0021 ₁₆ | Timer 1 (T1) |
| 0002 ₁₆ | Port P1 (P1) | 0022 ₁₆ | Timer 2 (T2) |
| 0003 ₁₆ | Port P1 direction register (P1D) | 0023 ₁₆ | Timer XY mode register (TM) |
| 0004 ₁₆ | Port P2 (P2) | 0024 ₁₆ | Prescaler X (PREX) |
| 0005 ₁₆ | Port P2 direction register (P2D) | 0025 ₁₆ | Timer X (TX) |
| 0006 ₁₆ | Port P3 (P3) | 0026 ₁₆ | Prescaler Y (PREY) |
| 0007 ₁₆ | Port P3 direction register (P3D) | 0027 ₁₆ | Timer Y (TY) |
| 0008 ₁₆ | Port P4 (P4) | 0028 ₁₆ | Timer count source selection register (TCSS) |
| 0009 ₁₆ | Port P4 direction register (P4D) | 0029 ₁₆ | |
| 000A ₁₆ | | 002A ₁₆ | |
| 000B ₁₆ | | 002B ₁₆ | I ² C data shift register (S0) |
| 000C ₁₆ | | 002C ₁₆ | I ² C address register (S0D) |
| 000D ₁₆ | | 002D ₁₆ | I ² C status register (S1) |
| 000E ₁₆ | | 002E ₁₆ | I ² C control register (S1D) |
| 000F ₁₆ | | 002F ₁₆ | I ² C clock control register (S2) |
| 0010 ₁₆ | | 0030 ₁₆ | I ² C start/stop condition control register (S2D) |
| 0011 ₁₆ | | 0031 ₁₆ | |
| 0012 ₁₆ | | 0032 ₁₆ | |
| 0013 ₁₆ | | 0033 ₁₆ | |
| 0014 ₁₆ | | 0034 ₁₆ | A-D control register (ADCON) |
| 0015 ₁₆ | Reserved * | 0035 ₁₆ | A-D conversion low-order register (ADL) |
| 0016 ₁₆ | Reserved * | 0036 ₁₆ | A-D conversion high-order register (ADH) |
| 0017 ₁₆ | Reserved * | 0037 ₁₆ | |
| 0018 ₁₆ | Transmit/Receive buffer register (TB/RB) | 0038 ₁₆ | MISRG |
| 0019 ₁₆ | Serial I/O status register (SIOSTS) | 0039 ₁₆ | Watchdog timer control register (WDTCN) |
| 001A ₁₆ | Serial I/O control register (SIOCON) | 003A ₁₆ | Interrupt edge selection register (INTEDGE) |
| 001B ₁₆ | UART control register (UARTCON) | 003B ₁₆ | CPU mode register (CPUM) |
| 001C ₁₆ | Baud rate generator (BRG) | 003C ₁₆ | Interrupt request register 1 (IREQ1) |
| 001D ₁₆ | PWM control register (PWMCON) | 003D ₁₆ | Interrupt request register 2 (IREQ2) |
| 001E ₁₆ | PWM prescaler (PREPWM) | 003E ₁₆ | Interrupt control register 1 (ICON1) |
| 001F ₁₆ | PWM register (PWM) | 003F ₁₆ | Interrupt control register 2 (ICON2) |

* Reserved : Do not write "1" to this address.

Fig. 6 Memory map of special function register (SFR)

I/O PORTS

The I/O ports have direction registers which determine the input/output direction of each individual pin. Each bit in a direction register corresponds to one pin, and each pin can be set to be input port or output port.

When "0" is written to the bit corresponding to a pin, that pin becomes an input pin. When "1" is written to that bit, that pin becomes an output pin.

If data is read from a pin which is set to output, the value of the port output latch is read, not the value of the pin itself. Pins set to input are floating. If a pin set to input is written to, only the port output latch is written to and the pin remains floating.

Table 2 I/O port function

| Pin | Name | Input/Output | I/O Structure | Non-Port Function | Related SFRs | Ref.No. | |
|-------------------------------------|--|-------------------------------|---|--|--|------------------------|------|
| P00–P07 | Port P0 | Input/output, individual bits | CMOS compatible input level CMOS 3-state output | | | (1) | |
| P10–P17 | Port P1 | | | | | | |
| P20/XCOUT P21/XCIN | Port P2 | | | Sub-clock generating circuit | CPU mode register | (2) (3) | |
| P22/SDA1 P23/SCL1 | | | CMOS compatible input level CMOS/SMBUS input level (when selecting I ² C-BUS interface function) N-channel open-drain output | I ² C-BUS interface function I/O | I ² C control register | (4) (5) | |
| P24/SDA2/RxD P25/SCL2/TxD | | | CMOS compatible input level CMOS/SMBUS input level (when selecting I ² C-BUS interface function) CMOS 3-state output N-channel open-drain output (when selecting I ² C-BUS interface function) | I ² C-BUS interface function I/O Serial I/O function I/O | I ² C control register Serial I/O control register | (6) (7) | |
| P26/SCLK | | | | Serial I/O function I/O | Serial I/O control register | (8) | |
| P27/CNTR0/ $\overline{\text{SRDY}}$ | | | | Serial I/O function I/O Timer X function I/O | Serial I/O control register Timer XY mode register | (9) | |
| P30/AN0— P34/AN4 | | | Port P3 | CMOS compatible input level CMOS 3-state output | A-D conversion input | A-D control register | (10) |
| P40/CNTR1 | | | Port P4 | | Timer Y function I/O | Timer XY mode register | (11) |
| P41/INT0— P43/INT2 | External interrupt input | | | | Interrupt edge selection register | (12) | |
| P44/INT3/PWM | External interrupt input PWM output | | | | Interrupt edge selection register PWM control register | (13) | |

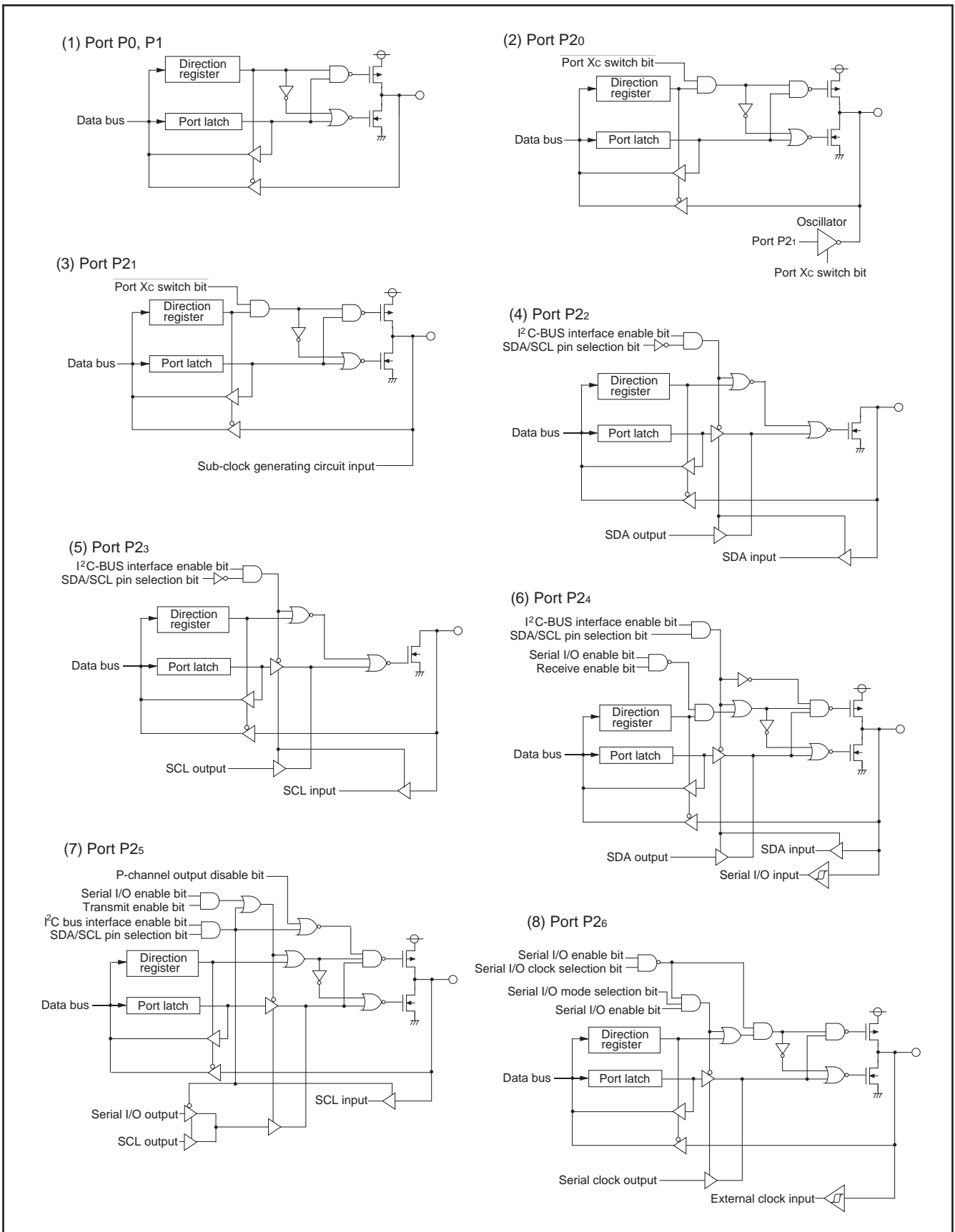


Fig. 7 Port block diagram (1)

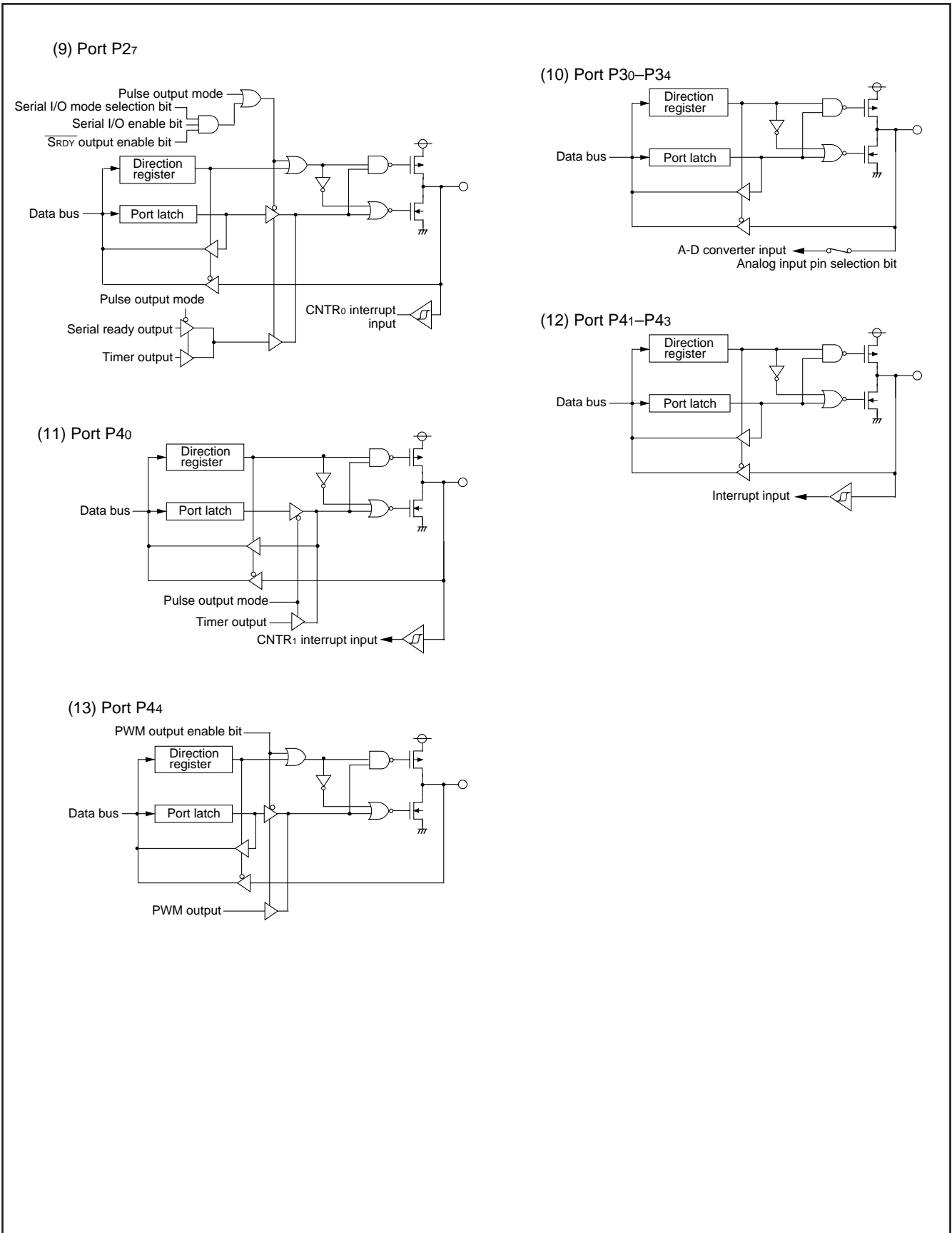


Fig. 8 Port block diagram (2)

INTERRUPTS

Interrupts occur by 16 sources among 16 sources: seven external, eight internal, and one software.

Interrupt Control

Each interrupt is controlled by an interrupt request bit, an interrupt enable bit, and the interrupt disable flag except for the software interrupt set by the BRK instruction. An interrupt occurs if the corresponding interrupt request and enable bits are "1" and the interrupt disable flag is "0".

Interrupt enable bits can be set or cleared by software.

Interrupt request bits can be cleared by software, but cannot be set by software.

The BRK instruction cannot be disabled with any flag or bit. The I (interrupt disable) flag disables all interrupts except the BRK instruction interrupt.

When several interrupts occur at the same time, the interrupts are received according to priority.

Interrupt Operation

By acceptance of an interrupt, the following operations are automatically performed:

1. The contents of the program counter and the processor status register are automatically pushed onto the stack.
2. The interrupt disable flag is set and the corresponding interrupt request bit is cleared.
3. The interrupt jump destination address is read from the vector table into the program counter.

■Notes

When the active edge of an external interrupt (INT₀–INT₃, SCL/SDA, CNTR₀, CNTR₁) is set, the corresponding interrupt request bit may also be set. Therefore, take the following sequence:

1. Disable the interrupt
2. Change the interrupt edge selection register (SCL/SDA interrupt pin polarity selection bit for SCL/SDA; the timer XY mode register for CNTR₀ and CNTR₁)
3. Clear the interrupt request bit to "0"
4. Accept the interrupt.

Table 3 Interrupt vector addresses and priority

| Interrupt Source | Priority | Vector Addresses (Note 1) | | Interrupt Request Generating Conditions | Remarks |
|-------------------------|----------|---------------------------|--------------------|---|---|
| | | High | Low | | |
| Reset (Note 2) | 1 | FFFD ₁₆ | FFFC ₁₆ | At reset | Non-maskable |
| INT ₀ | 2 | FFFB ₁₆ | FFFA ₁₆ | At detection of either rising or falling edge of INT ₀ input | External interrupt (active edge selectable) |
| SCL, SDA | 3 | FFF9 ₁₆ | FFF8 ₁₆ | At detection of either rising or falling edge of SCL or SDA input | External interrupt (active edge selectable) |
| INT ₁ | 4 | FFF7 ₁₆ | FFF6 ₁₆ | At detection of either rising or falling edge of INT ₁ input | External interrupt (active edge selectable) |
| INT ₂ | 5 | FFF5 ₁₆ | FFF4 ₁₆ | At detection of either rising or falling edge of INT ₂ input | External interrupt (active edge selectable) |
| INT ₃ | 6 | FFF3 ₁₆ | FFF2 ₁₆ | At detection of either rising or falling edge of INT ₃ input | External interrupt (active edge selectable) |
| I ² C | 7 | FFF1 ₁₆ | FFF0 ₁₆ | At completion of data transfer | |
| Timer X | 8 | FFEF ₁₆ | FFEE ₁₆ | At timer X underflow | |
| Timer Y | 9 | FFED ₁₆ | FFEC ₁₆ | At timer Y underflow | |
| Timer 1 | 10 | FFEB ₁₆ | FFEA ₁₆ | At timer 1 underflow | STP release timer underflow |
| Timer 2 | 11 | FFE9 ₁₆ | FFE8 ₁₆ | At timer 2 underflow | |
| Serial I/O reception | 12 | FFE7 ₁₆ | FFE6 ₁₆ | At completion of serial I/O data reception | Valid when serial I/O is selected |
| Serial I/O Transmission | 13 | FFE5 ₁₆ | FFE4 ₁₆ | At completion of serial I/O transfer shift or when transmission buffer is empty | Valid when serial I/O is selected |
| CNTR ₀ | 14 | FFE3 ₁₆ | FFE2 ₁₆ | At detection of either rising or falling edge of CNTR ₀ input | External interrupt (active edge selectable) |
| CNTR ₁ | 15 | FFE1 ₁₆ | FFE0 ₁₆ | At detection of either rising or falling edge of CNTR ₁ input | External interrupt (active edge selectable) |
| A-D converter | 16 | FFDF ₁₆ | FFDE ₁₆ | At completion of A-D conversion | |
| BRK instruction | 17 | FFDD ₁₆ | FFDC ₁₆ | At BRK instruction execution | Non-maskable software interrupt |

Notes 1: Vector addresses contain interrupt jump destination addresses.

2: Reset function in the same way as an interrupt with the highest priority.

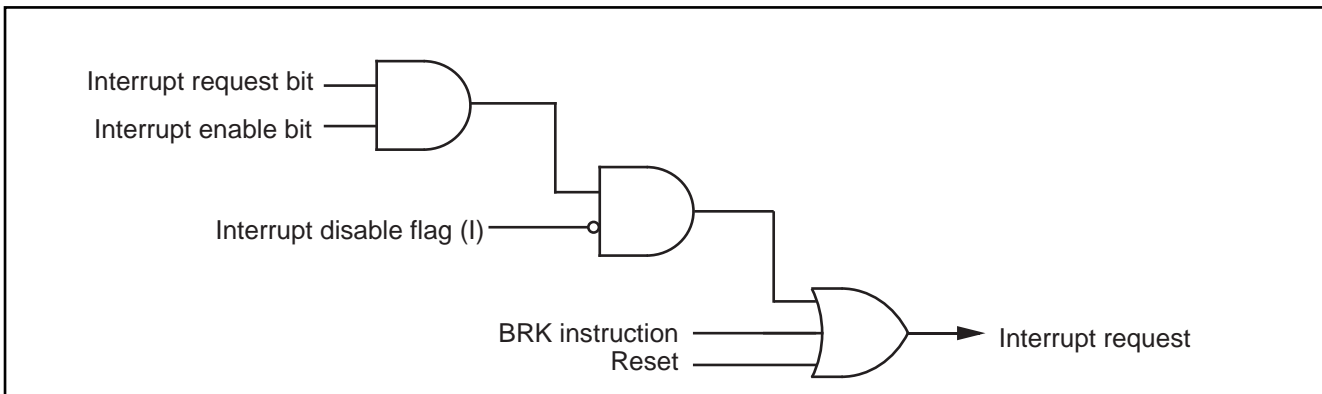


Fig. 9 Interrupt control

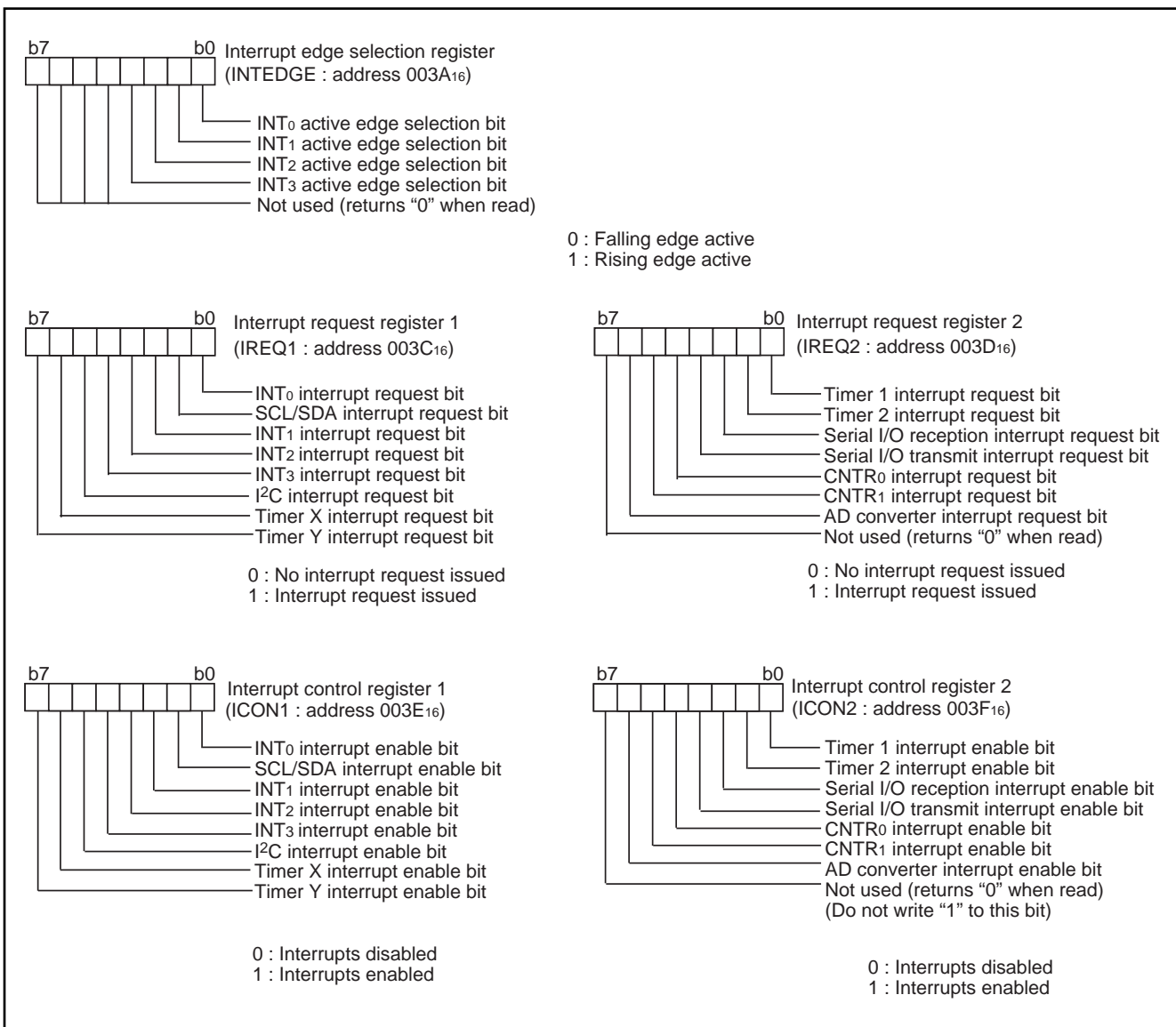


Fig. 10 Structure of interrupt-related registers (1)

TIMERS

The 3851 group has four timers: timer X, timer Y, timer 1, and timer 2.

The division ratio of each timer or prescaler is given by $1/(n + 1)$, where n is the value in the corresponding timer or prescaler latch. All timers are count down. When the timer reaches "0016", an underflow occurs at the next count pulse and the corresponding timer latch is reloaded into the timer and the count is continued. When a timer underflows, the interrupt request bit corresponding to that timer is set to "1".

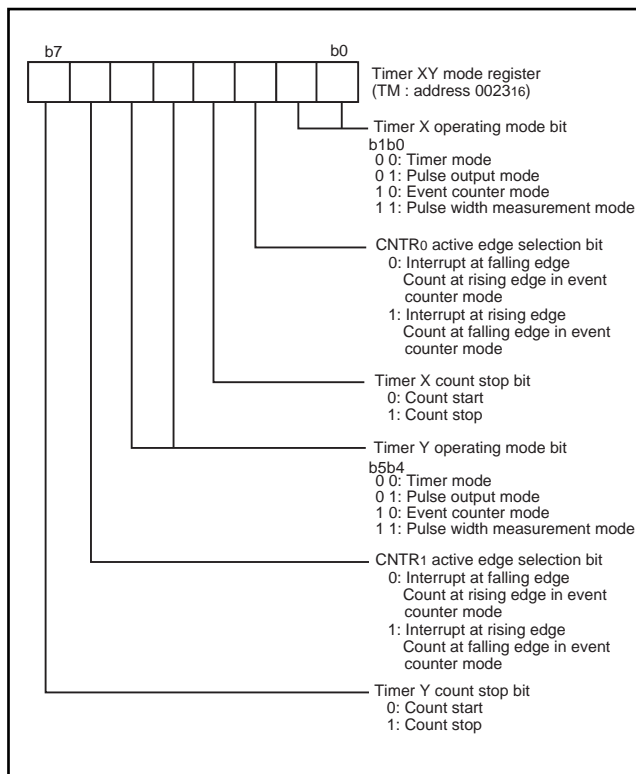


Fig. 11 Structure of timer XY mode register

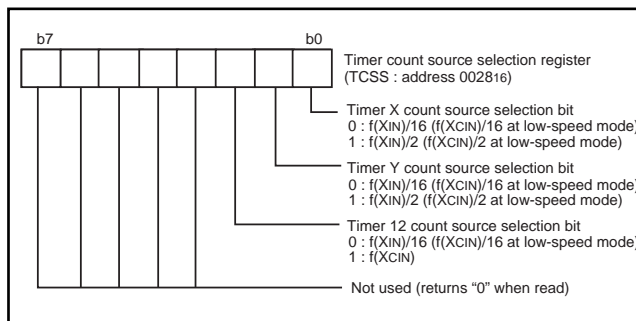


Fig. 12 Structure of timer count source selection register

Timer 1 and Timer 2

The count source of prescaler 12 is the oscillation frequency divided by 16. The output of prescaler 12 is counted by timer 1 and timer 2, and a timer underflow sets the interrupt request bit.

Timer X and Timer Y

Timer X and Timer Y can each select in one of four operating modes by setting the timer XY mode register.

(1) Timer Mode

The timer counts the count source selected by Timer count source selection bit.

(2) Pulse Output Mode

The timer counts the count source selected by Timer count source selection bit. Whenever the contents of the timer reach "0016", the signal output from the CNTR0 (or CNTR1) pin is inverted. If the CNTR0 (or CNTR1) active edge selection bit is "0", output begins at "H".

If it is "1", output starts at "L". When using a timer in this mode, set the corresponding port P27 (or port P40) direction register to output mode.

(3) Event Counter Mode

Operation in event counter mode is the same as in timer mode, except that the timer counts signals input through the CNTR0 or CNTR1 pin.

When the CNTR0 (or CNTR1) active edge selection bit is "0", the rising edge of the CNTR0 (or CNTR1) pin is counted.

When the CNTR0 (or CNTR1) active edge selection bit is "1", the falling edge of the CNTR0 (or CNTR1) pin is counted.

(4) Pulse Width Measurement Mode

If the CNTR0 (or CNTR1) active edge selection bit is "0", the timer counts the selected signals by the count source selection bit while the CNTR0 (or CNTR1) pin is at "H". If the CNTR0 (or CNTR1) active edge selection bit is "1", the timer counts it while the CNTR0 (or CNTR1) pin is at "L".

The count can be stopped by setting "1" to the timer X (or timer Y) count stop bit in any mode. The corresponding interrupt request bit is set each time a timer overflows.

Note

When switching the count source by the timer 12, X and Y count source bit, the value of timer count is altered in unconsiderable amount owing to generating of a thin pulses in the count input signals.

Therefore, select the timer count source before set the value to the prescaler and the timer.

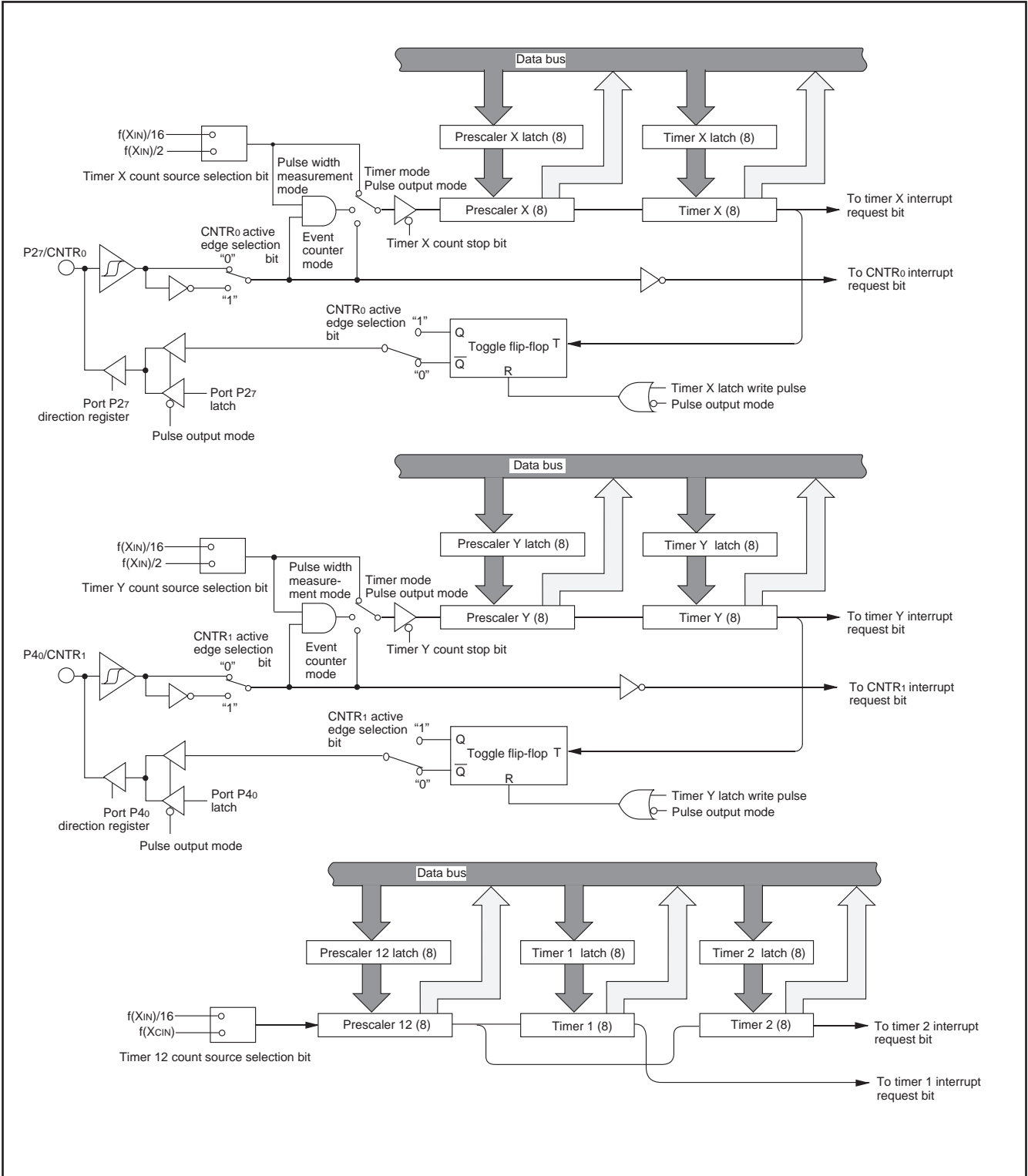


Fig. 13 Block diagram of timer X, timer Y, timer 1, and timer 2

SERIAL I/O

Serial I/O can be used as either clock synchronous or asynchronous (UART) serial I/O. A dedicated timer is also provided for baud rate generation.

(1) Clock Synchronous Serial I/O Mode

Clock synchronous serial I/O mode can be selected by setting the serial I/O mode selection bit of the serial I/O control register (bit 6 of address 001A₁₆) to "1".

For clock synchronous serial I/O, the transmitter and the receiver must use the same clock. If an internal clock is used, transfer is started by a write signal to the TB/RB.

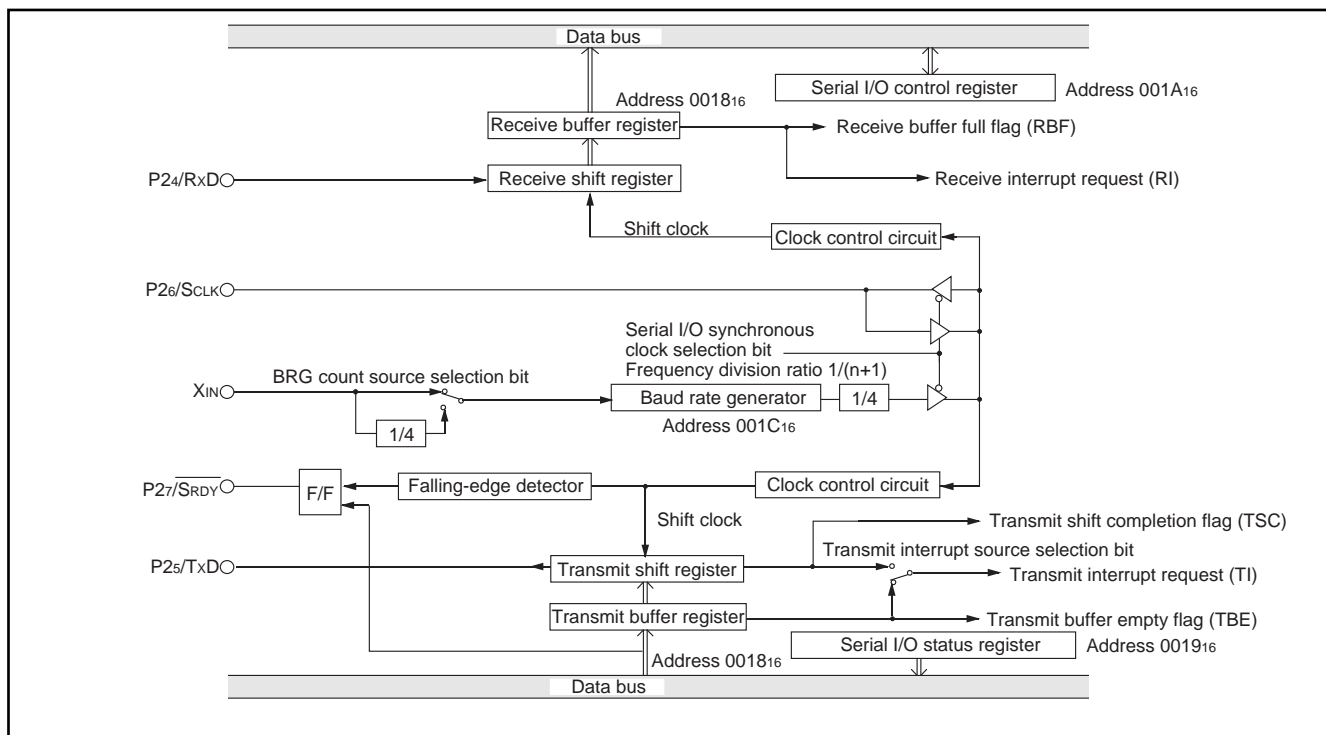


Fig. 14 Block diagram of clock synchronous serial I/O

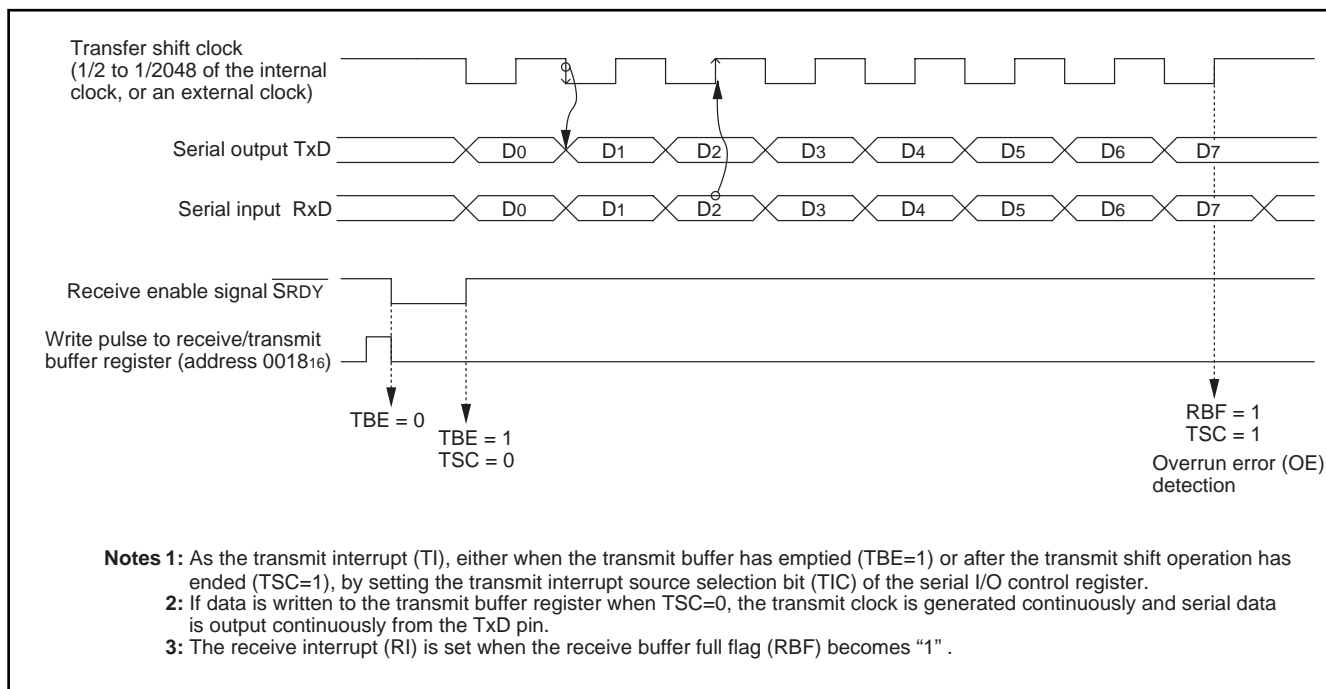


Fig. 15 Operation of clock synchronous serial I/O function

(2) Asynchronous Serial I/O (UART) Mode

Clock asynchronous serial I/O mode (UART) can be selected by clearing the serial I/O mode selection bit (b6) of the serial I/O control register to "0".

Eight serial data transfer formats can be selected, and the transfer formats used by a transmitter and receiver must be identical.

The transmit and receive shift registers each have a buffer, but the

two buffers have the same address in memory. Since the shift register cannot be written to or read from directly, transmit data is written to the transmit buffer register, and receive data is read from the receive buffer register.

The transmit buffer register can also hold the next data to be transmitted, and the receive buffer register can hold a character while the next character is being received.

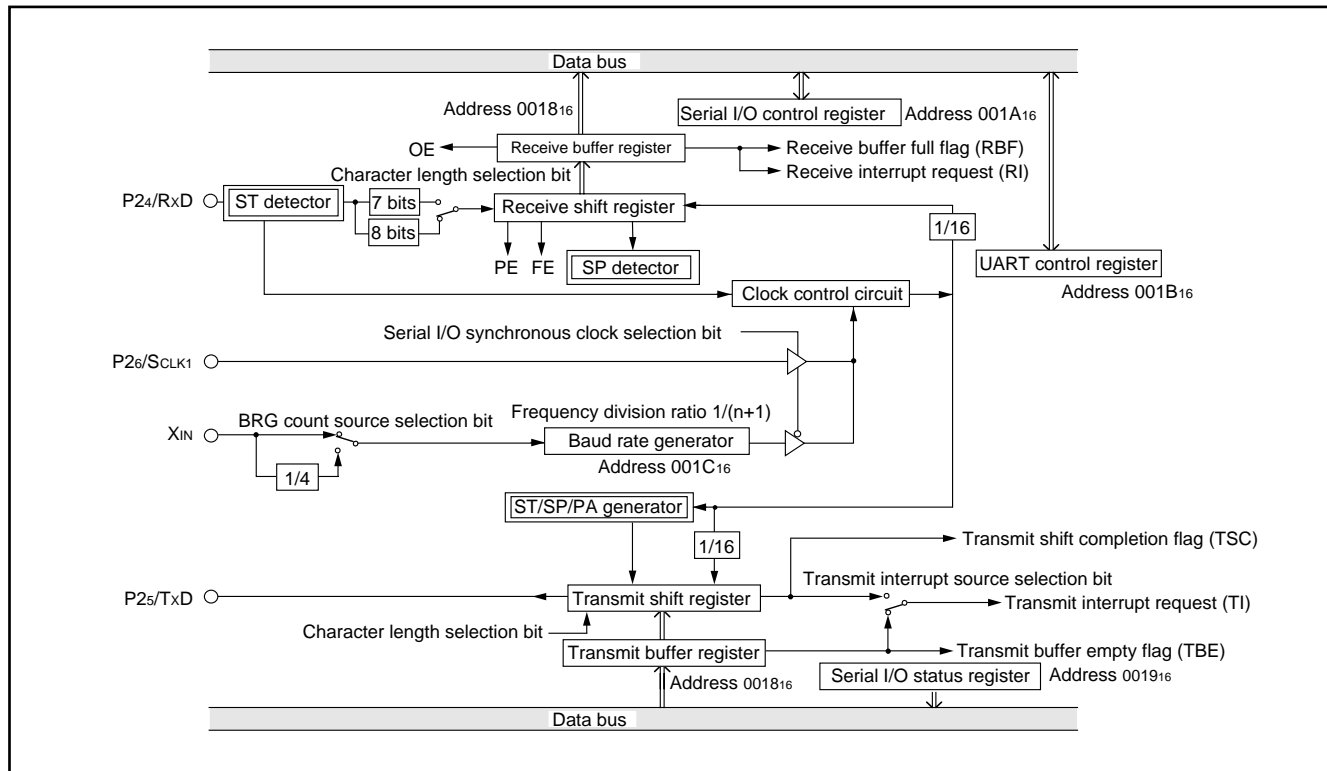


Fig.16 Block diagram of UART serial I/O

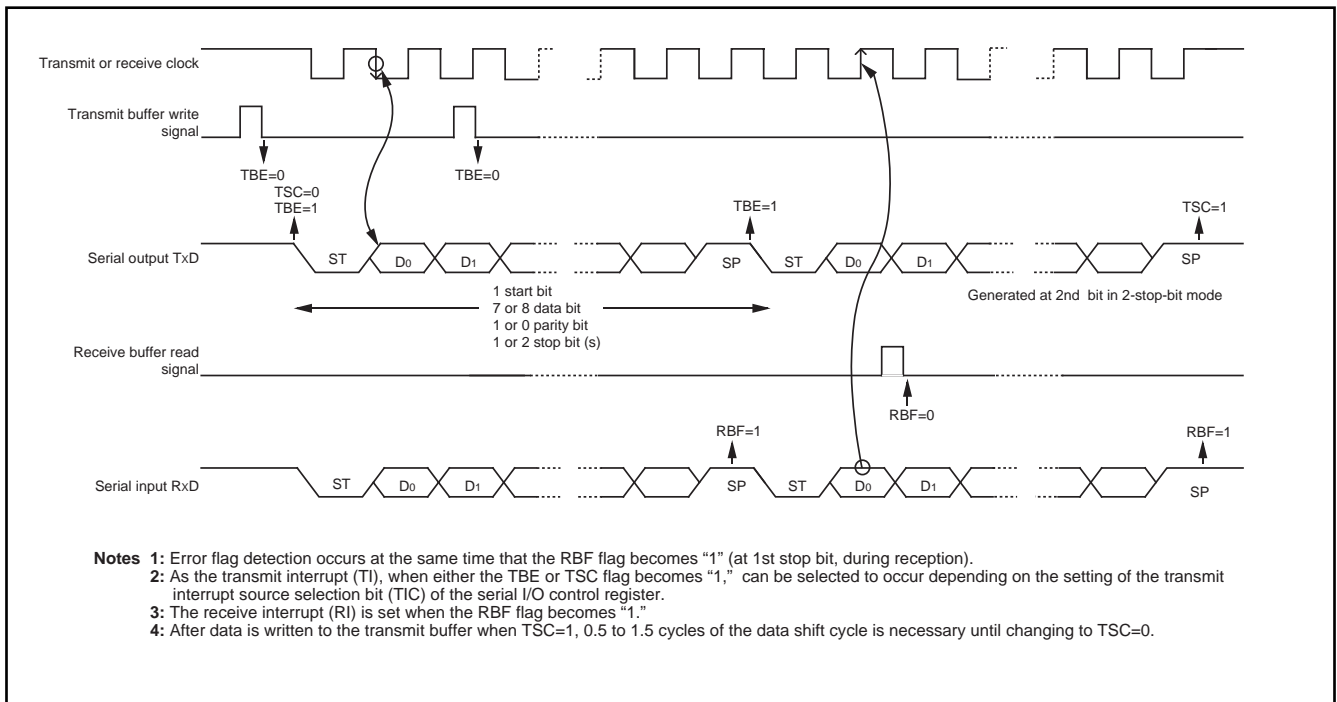


Fig. 17 Operation of UART serial I/O function

[Transmit Buffer Register/Receive Buffer Register (TB/RB)] 001816

The transmit buffer register and the receive buffer register are located at the same address. The transmit buffer is write-only and the receive buffer is read-only. If a character bit length is 7 bits, the MSB of data stored in the receive buffer is "0".

[Serial I/O Status Register (SIOSTS)] 001916

The read-only serial I/O status register consists of seven flags (bits 0 to 6) which indicate the operating status of the serial I/O function and various errors.

Three of the flags (bits 4 to 6) are valid only in UART mode.

The receive buffer full flag (bit 1) is cleared to "0" when the receive buffer register is read.

If there is an error, it is detected at the same time that data is transferred from the receive shift register to the receive buffer register, and the receive buffer full flag is set. A write to the serial I/O status register clears all the error flags OE, PE, FE, and SE (bit 3 to bit 6, respectively). Writing "0" to the serial I/O enable bit SIOE (bit 7 of the serial I/O control register) also clears all the status flags, including the error flags.

Bits 0 to 6 of the serial I/O status register are initialized to "0" at reset, but if the transmit enable bit (bit 4) of the serial I/O control register has been set to "1", the transmit shift completion flag (bit 2) and the transmit buffer empty flag (bit 0) become "1".

Serial I/O Control Register (SIOCON)] 001A16

The serial I/O control register consists of eight control bits for the serial I/O function.

[UART Control Register (UARTCON)] 001B16

The UART control register consists of four control bits (bits 0 to 3) which are valid when asynchronous serial I/O is selected and set the data format of an data transfer and one bit (bit 4) which is always valid and sets the output structure of the P25/TxD pin.

[Baud Rate Generator (BRG)] 001C16

The baud rate generator determines the baud rate for serial transfer.

The baud rate generator divides the frequency of the count source by $1/(n + 1)$, where n is the value written to the baud rate generator.

■Note

When using the serial I/O, clear the I²C-BUS interface enable bit to "0" or the SCL/SDA interrupt pin selection bit to "0".

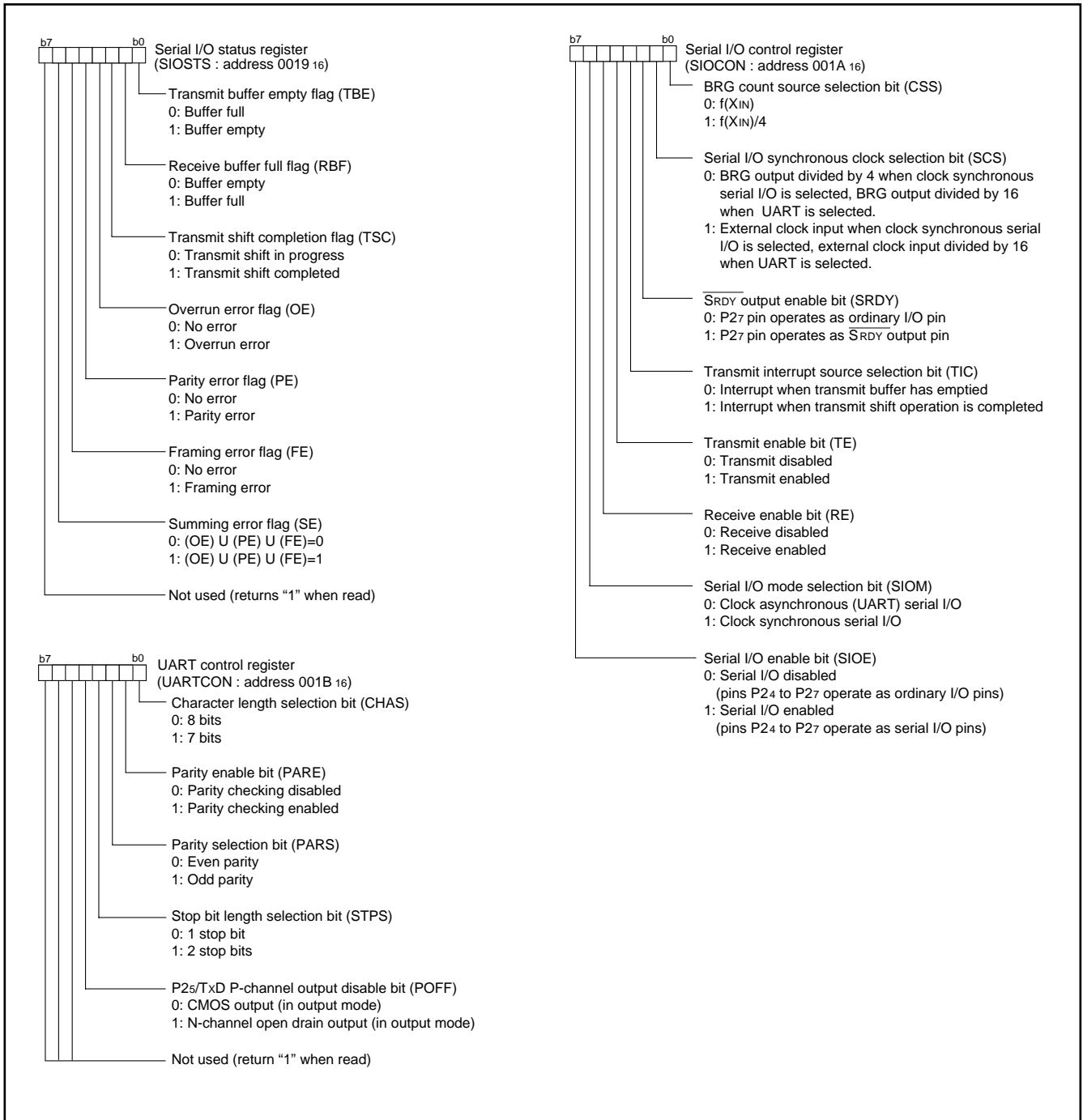


Fig. 18 Structure of serial I/O control registers

MULTI-MASTER I²C-BUS INTERFACE

The multi-master I²C-BUS interface is a serial communications circuit, conforming to the Philips I²C-BUS data transfer format. This interface, offering both arbitration lost detection and a synchronous functions, is useful for the multi-master serial communications.

Figure 19 shows a block diagram of the multi-master I²C-BUS interface and Table 4 lists the multi-master I²C-BUS interface functions.

This multi-master I²C-BUS interface consists of the I²C address register, the I²C data shift register, the I²C clock control register, the I²C control register, the I²C status register, the I²C start/stop condition control register and other control circuits.

When using the multi-master I²C-BUS interface, set 1 MHz or more to ϕ .

Note: Mitsubishi Electric Corporation assumes no responsibility for infringement of any third-party's rights or originating in the use of the connection control function between the I²C-BUS interface and the ports SCL1, SCL2, SDA1 and SDA2 with the bit 6 of I²C control register (002E16).

Table 4 Multi-master I²C-BUS interface functions

| Item | Function |
|---------------------|--|
| Format | In conformity with Philips I ² C-BUS standard: 10-bit addressing format 7-bit addressing format High-speed clock mode Standard clock mode |
| Communication mode | In conformity with Philips I ² C-BUS standard: Master transmission Master reception Slave transmission Slave reception |
| SCL clock frequency | 16.1 kHz to 400 kHz (at $\phi = 4$ MHz) |

System clock $\phi = f(X_{IN})/2$ (high-speed mode)
 $\phi = f(X_{IN})/8$ (middle-speed mode)

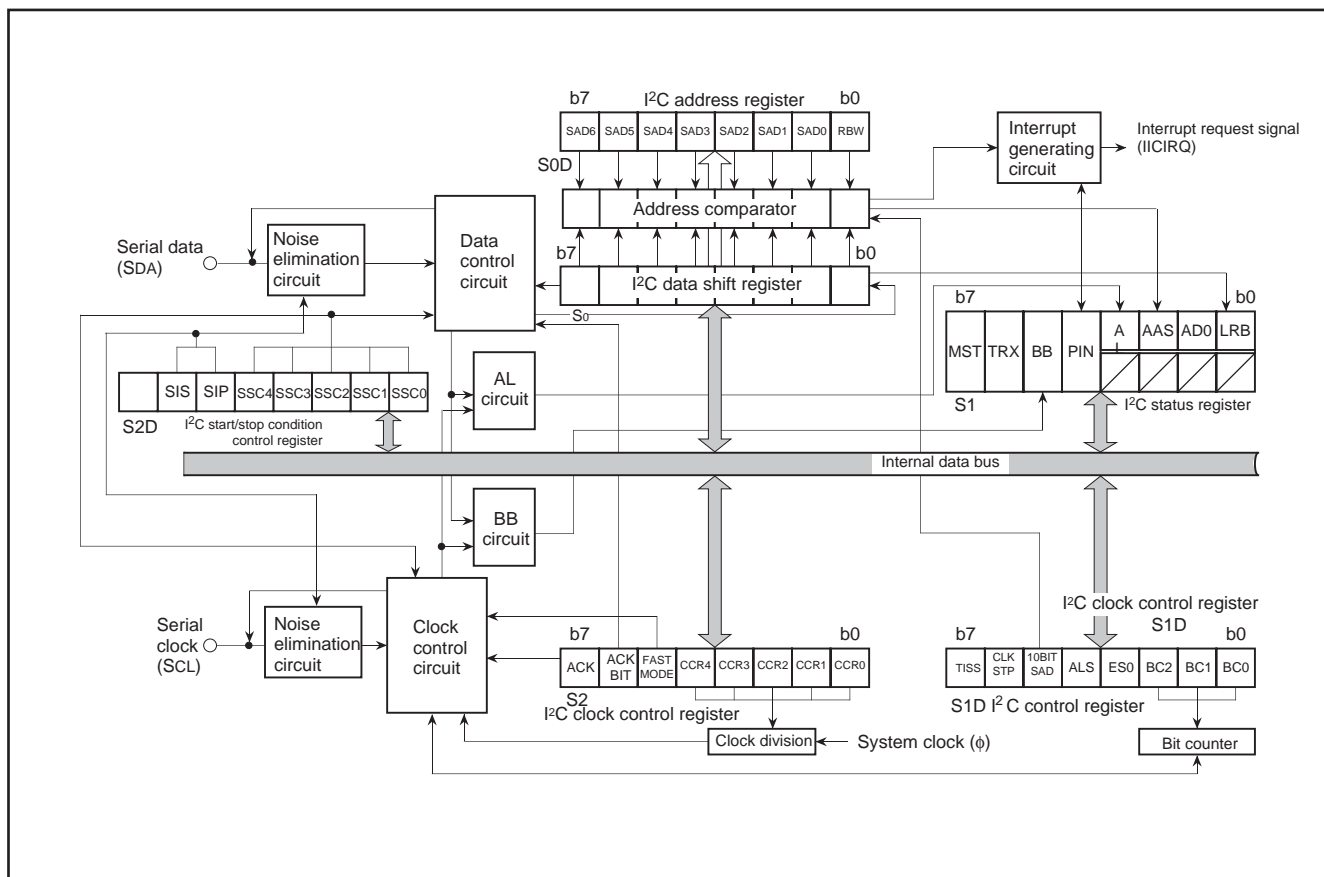


Fig. 19 Block diagram of multi-master I²C-BUS interface

* : Purchase of MITSUBISHI ELECTRIC CORPORATIONS I²C components conveys a license under the Philips I²C Patent Rights to use these components an I²C system, provided that the system conforms to the I²C Standard Specification as defined by Philips.

[I²C Data Shift Register (S0)] 002B₁₆

The I²C data shift register (S0 : address 002B₁₆) is an 8-bit shift register to store receive data and write transmit data.

When transmit data is written into this register, it is transferred to the outside from bit 7 in synchronization with the SCL clock, and each time one-bit data is output, the data of this register are shifted by one bit to the left. When data is received, it is input to this register from bit 0 in synchronization with the SCL clock, and each time one-bit data is input, the data of this register are shifted by one bit to the left. The minimum 2 machine cycles are required from the rising of the SCL clock until input to this register.

The I²C data shift register is in a write enable status only when the I²C-BUS interface enable bit (ES0 bit : bit 3 of address 002E₁₆) of the I²C control register is "1". The bit counter is reset by a write instruction to the I²C data shift register. When both the ES0 bit and the MST bit of the I²C status register (address 002D₁₆) are "1," the SCL is output by a write instruction to the I²C data shift register. Reading data from the I²C data shift register is always enabled regardless of the ES0 bit value.

[I²C Address Register (S0D)] 002C₁₆

The I²C address register (address 002C₁₆) consists of a 7-bit slave address and a read/write bit. In the addressing mode, the slave address written in this register is compared with the address data to be received immediately after the START condition is detected.

•Bit 0: Read/write bit (RWB)

This is not used in the 7-bit addressing mode. In the 10-bit addressing mode, the first address data to be received is compared with the contents (SAD6 to SAD0 + RBW) of the I²C address register.

The RBW bit is cleared to "0" automatically when the stop condition is detected.

•Bits 1 to 7: Slave address (SAD0–SAD6)

These bits store slave addresses. Regardless of the 7-bit address

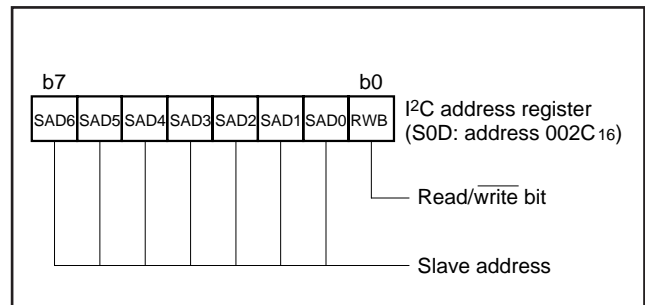


Fig. 20 Structure of I²C address register

[I²C Clock Control Register (S2)] 002F16

The I²C clock control register (address 002F16) is used to set ACK control, SCL mode and SCL frequency.

•Bits 0 to 4: SCL frequency control bits (CCR0–CCR4)

These bits control the SCL frequency. Refer to Table 5.

•Bit 5: SCL mode specification bit (FAST MODE)

This bit specifies the SCL mode. When this bit is set to “0,” the standard clock mode is selected. When the bit is set to “1,” the high-speed clock mode is selected.

When connecting the bus of the high-speed mode I²C bus standard (maximum 400 kbits/s), use 8 MHz or more oscillation frequency f(XIN) and 2 division clock.

•Bit 6: ACK bit (ACK BIT)

This bit sets the SDA status when an ACK clock* is generated. When this bit is set to “0,” the ACK return mode is selected and SDA goes to “L” at the occurrence of an ACK clock. When the bit is set to “1,” the ACK non-return mode is selected. The SDA is held in the “H” status at the occurrence of an ACK clock.

However, when the slave address agree with the address data in the reception of address data at ACK BIT = “0,” the SDA is automatically made “L” (ACK is returned). If there is a disagreement between the slave address and the address data, the SDA is automatically made “H” (ACK is not returned).

*ACK clock: Clock for acknowledgment

•Bit 7: ACK clock bit (ACK)

This bit specifies the mode of acknowledgment which is an acknowledgment response of data transfer. When this bit is set to “0,” the no ACK clock mode is selected. In this case, no ACK clock occurs after data transmission. When the bit is set to “1,” the ACK clock mode is selected and the master generates an ACK clock each completion of each 1-byte data transfer. The device for transmitting address data and control data releases the SDA at the occurrence of an ACK clock (makes SDA “H”) and receives the ACK bit generated by the data receiving device.

Note: Do not write data into the I²C clock control register during transfer. If data is written during transfer, the I²C clock generator is reset, so that data cannot be transferred normally.

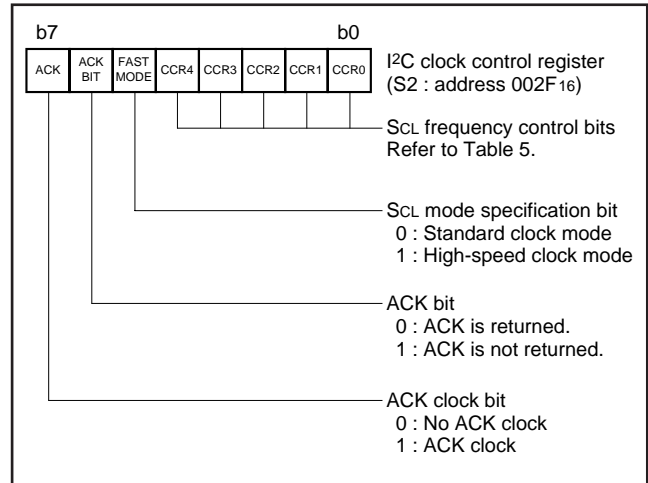


Fig. 21 Structure of I²C clock control register

Table 5 Set values of I²C clock control register and SCL frequency

| Setting value of CCR4–CCR0 | | | | | SCL frequency (at $\phi = 4$ MHz, unit : kHz) | |
|----------------------------|------|------|------|------|---|-------------------------|
| CCR4 | CCR3 | CCR2 | CCR1 | CCR0 | Standard clock mode | High-speed clock mode |
| 0 | 0 | 0 | 0 | 0 | Setting disabled | Setting disabled |
| 0 | 0 | 0 | 0 | 1 | Setting disabled | Setting disabled |
| 0 | 0 | 0 | 1 | 0 | Setting disabled | Setting disabled |
| 0 | 0 | 0 | 1 | 1 | – (Note 2) | 333 |
| 0 | 0 | 1 | 0 | 0 | – (Note 2) | 250 |
| 0 | 0 | 1 | 0 | 1 | 100 | 400 (Note 3) |
| 0 | 0 | 1 | 1 | 0 | 83.3 | 166 |
| ⋮ | ⋮ | ⋮ | ⋮ | ⋮ | 500/CCR value (Note 3) | 1000/CCR value (Note 3) |
| 1 | 1 | 1 | 0 | 1 | 17.2 | 34.5 |
| 1 | 1 | 1 | 1 | 0 | 16.6 | 33.3 |
| 1 | 1 | 1 | 1 | 1 | 16.1 | 32.3 |

Notes 1: Duty of SCL clock output is 50 %. The duty becomes 35 to 45 % only when the high-speed clock mode is selected and CCR value = 5 (400 kHz, at $\phi = 4$ MHz). “H” duration of the clock fluctuates from –4 to +2 machine cycles in the standard clock mode, and fluctuates from –2 to +2 machine cycles in the high-speed clock mode. In the case of negative fluctuation, the frequency does not increase because “L” duration is extended instead of “H” duration reduction.

These are value when SCL clock synchronization by the synchronous function is not performed. CCR value is the decimal notation value of the SCL frequency control bits CCR4 to CCR0.

2: Each value of SCL frequency exceeds the limit at $\phi = 4$ MHz or more. When using these setting value, use ϕ of 4 MHz or less.

3: The data formula of SCL frequency is described below:
 $\phi / (8 \times \text{CCR value})$ Standard clock mode
 $\phi / (4 \times \text{CCR value})$ High-speed clock mode (CCR value $\neq 5$)
 $\phi / (2 \times \text{CCR value})$ High-speed clock mode (CCR value = 5)
 Do not set 0 to 2 as CCR value regardless of ϕ frequency.
 Set 100 kHz (max.) in the standard clock mode and 400 kHz (max.) in the high-speed clock mode to the SCL frequency by setting the SCL frequency control bits CCR4 to CCR0.

[I²C Control Register (S1D)] 002E16

The I²C control register (address 002E16) controls data communication format.

•Bit 0 to 2: Bit counter (BC0–BC2)

These bits decide the number of bits for the next 1-byte data to be transmitted. The I²C interrupt request signal occurs immediately after the number of count specified with these bits (ACK clock is added to the number of count when ACK clock is selected by ACK clock bit (bit 7 of address 002F16)) have been transferred, and BC0 to BC2 are returned to “0002”.

Also when a START condition is received, these bits become “0002” and the address data is always transmitted and received in 8 bits.

•Bit 3: I²C interface enable bit (ES0)

This bit enables to use the multi-master I²C-BUS interface. When this bit is set to “0,” the use disable status is provided, so that the SDA and the SCL become high-impedance. When the bit is set to “1,” use of the interface is enabled.

When ES0 = “0,” the following is performed.

- PIN = “1,” BB = “0” and AL = “0” are set (which are bits of the I²C status register at address 002D16).
- Writing data to the I²C data shift register (address 002B16) is disabled.

•Bit 4: Data format selection bit (ALS)

This bit decides whether or not to recognize slave addresses. When this bit is set to “0,” the addressing format is selected, so that address data is recognized. When a match is found between a slave address and address data as a result of comparison or when a general call (refer to “I²C Status Register,” bit 1) is received, transfer processing can be performed. When this bit is set to “1,” the free data format is selected, so that slave addresses are not recognized.

•Bit 5: Addressing format selection bit (10BIT SAD)

This bit selects a slave address specification format. When this bit is set to “0,” the 7-bit addressing format is selected. In this case, only the high-order 7 bits (slave address) of the I²C address register (address 002C16) are compared with address data. When this bit is set to “1,” the 10-bit addressing format is selected, and all the bits of the I²C address register are compared with address data.

•Bit 6: SDA/SCL pin selection bit

This bit selects the input/output pins of SCL and SDA of the multi-master I²C-BUS interface.

•Bit 7: I²C-BUS interface pin input level selection bit

This bit selects the input level of the SCL and SDA pins of the multi-master I²C-BUS interface.

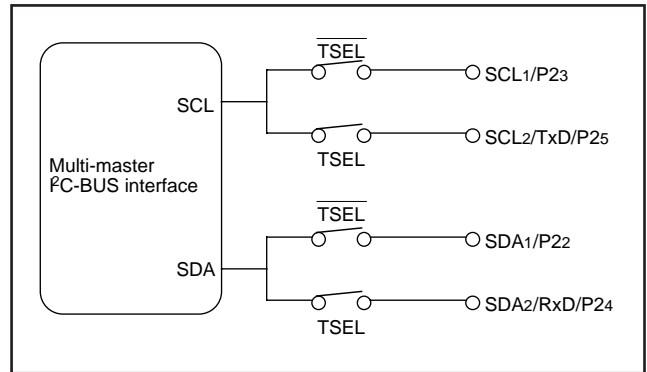


Fig. 22 SDA/SCL pin selection bit

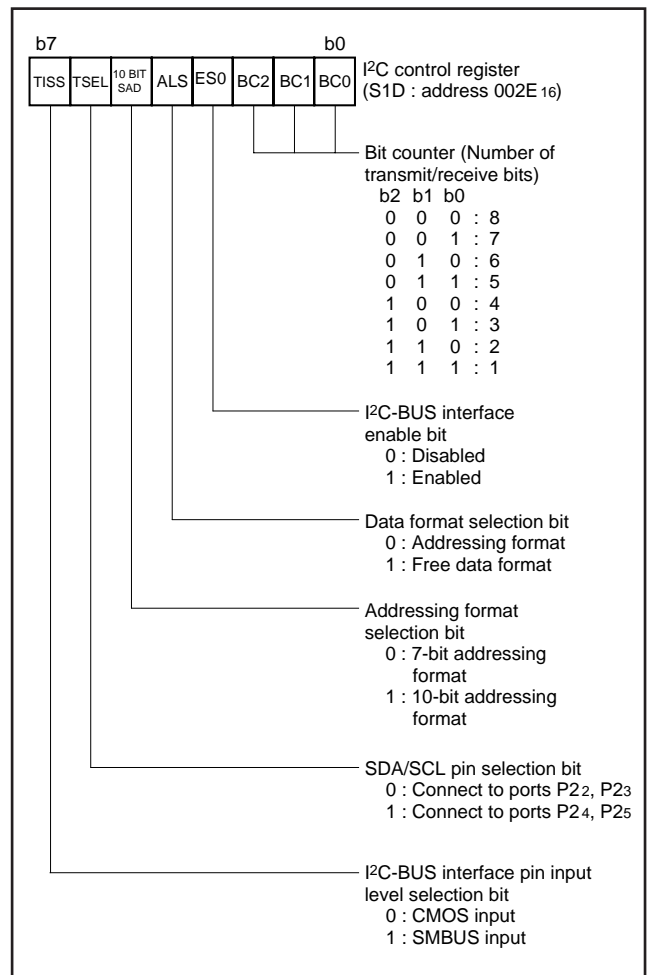


Fig. 23 Structure of I²C control register

[I²C Status Register (S1)] 002D16

The I²C status register (address 002D16) controls the I²C-BUS interface status. The low-order 4 bits are read-only bits and the high-order 4 bits can be read out and written to.

Set "00002" to the low-order 4 bits, because these bits become the reserved bits at writing.

•Bit 0: Last receive bit (LRB)

This bit stores the last bit value of received data and can also be used for ACK receive confirmation. If ACK is returned when an ACK clock occurs, the LRB bit is set to "0." If ACK is not returned, this bit is set to "1." Except in the ACK mode, the last bit value of received data is input. The state of this bit is changed from "1" to "0" by executing a write instruction to the I²C data shift register (address 002B16).

•Bit 1: General call detecting flag (AD0)

When the ALS bit is "0", this bit is set to "1" when a general call* whose address data is all "0" is received in the slave mode. By a general call of the master device, every slave device receives control data after the general call. The AD0 bit is set to "0" by detecting the STOP condition or START condition, or reset.

*General call: The master transmits the general call address "0016" to all slaves.

•Bit 2: Slave address comparison flag (AAS)

This flag indicates a comparison result of address data when the ALS bit is "0".

- ① In the slave receive mode, when the 7-bit addressing format is selected, this bit is set to "1" in one of the following conditions:
 - The address data immediately after occurrence of a START condition agrees with the slave address stored in the high-order 7 bits of the I²C address register (address 002C16).
 - A general call is received.
- ② In the slave receive mode, when the 10-bit addressing format is selected, this bit is set to "1" with the following condition:
 - When the address data is compared with the I²C address register (8 bits consisting of slave address and RBW bit), the first bytes agree.
- ③ This bit is set to "0" by executing a write instruction to the I²C data shift register (address 002B16) when ES0 is set to "1" or reset.

•Bit 3: Arbitration lost* detecting flag (AL)

In the master transmission mode, when the SDA is made "L" by any other device, arbitration is judged to have been lost, so that this bit is set to "1." At the same time, the TRX bit is set to "0," so that immediately after transmission of the byte whose arbitration was lost is completed, the MST bit is set to "0." The arbitration lost can be detected only in the master transmission mode. When arbitration is lost during slave address transmission, the TRX bit is set to "0" and the reception mode is set. Consequently, it becomes possible to detect the agreement of its own slave address and address data transmitted by another master device.

*Arbitration lost :The status in which communication as a master is disabled.

•Bit 4: SCL pin low hold bit (PIN)

This bit generates an interrupt request signal. Each time 1-byte data is transmitted, the PIN bit changes from "1" to "0." At the same time, an interrupt request signal occurs to the CPU. The PIN bit is set to "0" in synchronization with a falling of the last clock (including the ACK clock) of an internal clock and an interrupt request signal occurs in synchronization with a falling of the PIN bit. When the PIN bit is "0," the SCL is kept in the "0" state and clock generation is disabled. Figure 25 shows an interrupt request signal generating timing chart.

The PIN bit is set to "1" in one of the following conditions:

- Executing a write instruction to the I²C data shift register (address 002B16). (This is the only condition which the prohibition of the internal clock is released and data can be communicated except for the start condition detection.)
- When the ES0 bit is "0"
- At reset
- When writing "1" to the PIN bit by software

The conditions in which the PIN bit is set to "0" are shown below:

- Immediately after completion of 1-byte data transmission (including when arbitration lost is detected)
- Immediately after completion of 1-byte data reception
- In the slave reception mode, with ALS = "0" and immediately after completion of slave address agreement or general call address reception
- In the slave reception mode, with ALS = "1" and immediately after completion of address data reception

•Bit 5: Bus busy flag (BB)

This bit indicates the status of use of the bus system. When this bit is set to "0," this bus system is not busy and a START condition can be generated. The BB flag is set/reset by the SCL, SDA pins input signal regardless of master/slave. This flag is set to "1" by detecting the start condition, and is set to "0" by detecting the stop condition. The condition of these detecting is set by the start/stop condition setting bits (SSC4–SSC0) of the I²C start/stop condition control register (address 003016). When the ES0 bit of the I²C control register (address 002E16) is "0" or reset, the BB flag is set to "0."

For the writing function to the BB flag, refer to the sections "START Condition Generating Method" and "STOP Condition Generating Method" described later.

•Bit 6: Communication mode specification bit (transfer direction specification bit: TRX)

This bit decides a direction of transfer for data communication. When this bit is "0," the reception mode is selected and the data of a transmitting device is received. When the bit is "1," the transmission mode is selected and address data and control data are output onto the SDA in synchronization with the clock generated on the SCL.

This bit is set/reset by software and hardware. About set/reset by hardware is described below. This bit is set to "1" by hardware when all the following conditions are satisfied:

- When ALS is "0"
- In the slave reception mode or the slave transmission mode
- When the R/W bit reception is "1"

This bit is set to "0" in one of the following conditions:

- When arbitration lost is detected.
- When a STOP condition is detected.
- When writing "1" to this bit by software is invalid by the START condition duplication preventing function (**Note**).
- With MST = "0" and when a START condition is detected.
- With MST = "0" and when ACK non-return is detected.
- At reset

•Bit 7: Communication mode specification bit (master/slave specification bit: MST)

This bit is used for master/slave specification for data communication. When this bit is "0," the slave is specified, so that a START condition and a STOP condition generated by the master are received, and data communication is performed in synchronization with the clock generated by the master. When this bit is "1," the master is specified and a START condition and a STOP condition are generated. Additionally, the clocks required for data communication are generated on the SCL.

This bit is set to "0" in one of the following conditions.

- Immediately after completion of 1-byte data transfer when arbitration lost is detected
- When a STOP condition is detected.
- Writing "1" to this bit by software is invalid by the START condition duplication preventing function (**Note**).
- At reset

Note: START condition duplication preventing function

The MST, TRX, and BB bits is set to "1" at the same time after confirming that the BB flag is "0" in the procedure of a START condition occurrence. However, when a START condition by another master device occurs and the BB flag is set to "1" immediately after the contents of the BB flag is confirmed, the START condition duplication preventing function makes the writing to the MST and TRX bits invalid. The duplication preventing function becomes valid from the rising of the BB flag to reception completion of slave address.

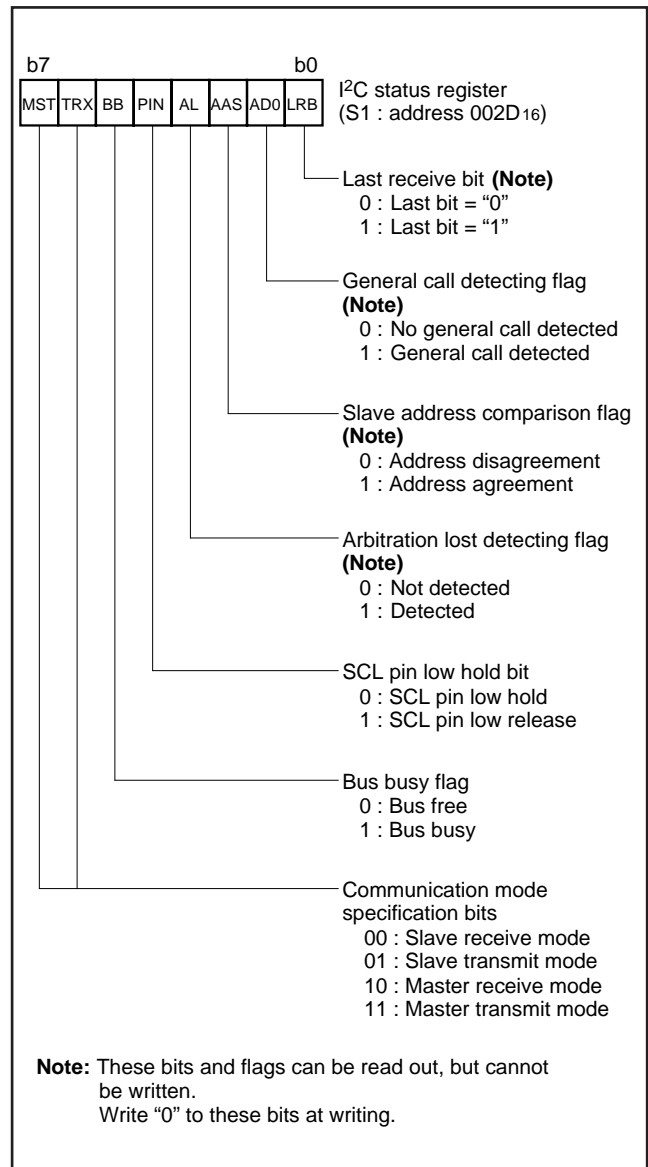


Fig. 24 Structure of I²C status register

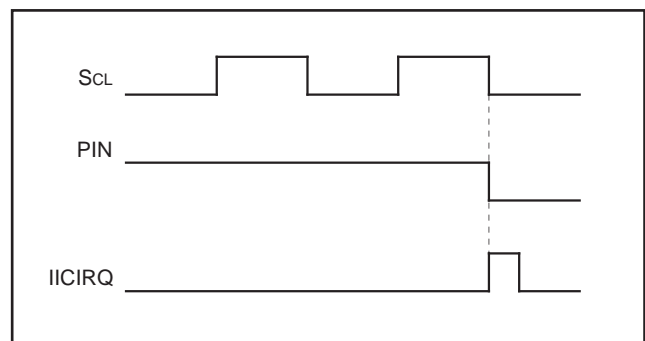


Fig. 25 Interrupt request signal generating timing

START Condition Generating Method

When writing "1" to the MST, TRX, and BB bits of the I²C status register (address 002D16) at the same time after writing the slave address to the I²C data shift register (address 002B16) with the condition in which the ES0 bit of the I²C control register (address 002E16) and the BB flag are "0", a START condition occurs. After that, the bit counter becomes "0002" and an SCL for 1 byte is output. The START condition generating timing is different in the standard clock mode and the high-speed clock mode. Refer to Figure 26, the START condition generating timing diagram, and Table 6, the START condition generating timing table.

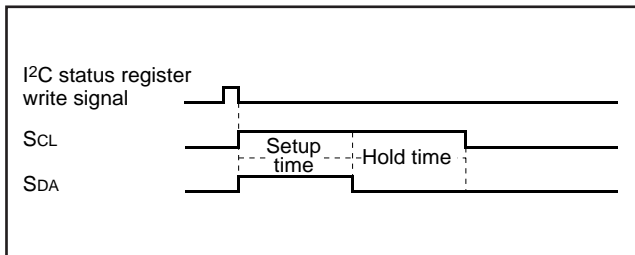


Fig. 26 START condition generating timing diagram

Table 6 START condition generating timing table

| Item | Standard clock mode | High-speed clock mode |
|------------|---------------------|-----------------------|
| Setup time | 5.0 μs (20 cycles) | 2.5 μs (10 cycles) |
| Hold time | 5.0 μs (20 cycles) | 2.5 μs (10 cycles) |

Note: Absolute time at φ = 4 MHz. The value in parentheses denotes the number of φ cycles.

STOP Condition Generating Method

When the ES0 bit of the I²C control register (address 002E16) is "1," write "1" to the MST and TRX bits, and write "0" to the BB bit of the I²C status register (address 002D16) simultaneously. Then a STOP condition occurs. The STOP condition generating timing is different in the standard clock mode and the high-speed clock mode. Refer to Figure 27, the STOP condition generating timing diagram, and Table 7, the STOP condition generating timing table.

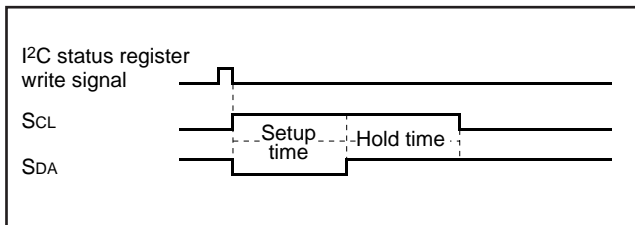


Fig. 27 STOP condition generating timing diagram

Table 7 STOP condition generating timing table

| Item | Standard clock mode | High-speed clock mode |
|------------|---------------------|-----------------------|
| Setup time | 5.0 μs (20 cycles) | 3.0 μs (12 cycles) |
| Hold time | 4.5 μs (18 cycles) | 2.5 μs (10 cycles) |

Note: Absolute time at φ = 4 MHz. The value in parentheses denotes the number of φ cycles.

START/STOP Condition Detecting Operation

The START/STOP condition detection operations are shown in Figures 28, 29, and Table 8. The START/STOP condition is set by the START/STOP condition set bit.

The START/STOP condition can be detected only when the input signal of the SCL and SDA pins satisfy three conditions: SCL release time, setup time, and hold time (see Table 8).

The BB flag is set to "1" by detecting the START condition and is reset to "0" by detecting the STOP condition.

The BB flag set/reset timing is different in the standard clock mode and the high-speed clock mode. Refer to Table 8, the BB flag set/reset time.

Note: When a STOP condition is detected in the slave mode (MST = 0), an interrupt request signal "IICIRQ" occurs to the CPU.

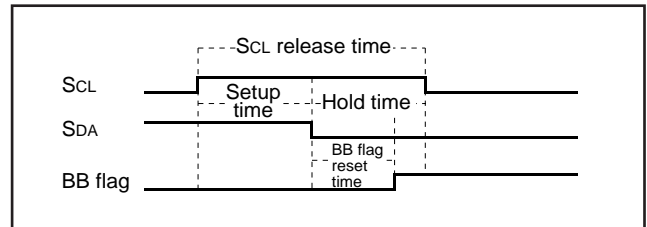


Fig. 28 START/STOP condition detecting timing diagram

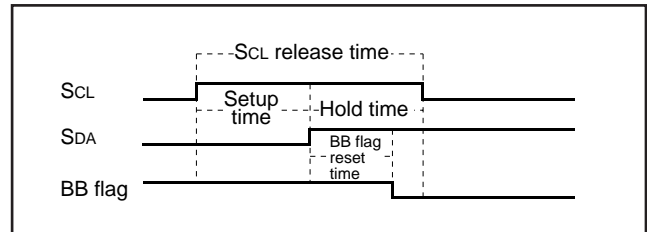


Fig. 29 STOP condition detecting timing diagram

Table 8 START condition/STOP condition detecting conditions

| | Standard clock mode | High-speed clock mode |
|------------------------|---|-----------------------|
| SCL release time | SCC value + 1 cycle (6.25 μs) | 4 cycles (1.0 μs) |
| Setup time | $\frac{SCC \text{ value} + 1}{2}$ cycle < 4.0 μs (3.125 μs) | 2 cycles (1.0 μs) |
| Hold time | $\frac{SCC \text{ value} + 1}{2}$ cycle < 4.0 μs (3.125 μs) | 2 cycles (0.5 μs) |
| BB flag set/reset time | $\frac{SCC \text{ value} - 1}{2} + 2$ cycles (3.375 μs) | 3.5 cycles (0.875 μs) |

Note: Unit : Cycle number of system clock φ
 SSC value is the decimal notation value of the START/STOP condition set bits SSC4 to SSC0. Do not set "0" or an odd number to SSC value. The value in parentheses is an example when the I²C START/STOP condition control register is set to "1816" at φ = 4 MHz.

[I²C START/STOP Condition Control Register (S2D)] 0030₁₆

The I²C START/STOP condition control register (address 0030₁₆) controls START/STOP condition detection.

•Bits 0 to 4: START/STOP condition set bit (SSC4–SSC0)

SCL release time, setup time, and hold time change the detection condition by value of the main clock divide ratio selection bit and the oscillation frequency $f(X_{IN})$ because these time are measured by the internal system clock. Accordingly, set the proper value to the START/STOP condition set bits (SSC4 to SSC0) in considered of the system clock frequency. Refer to Table 8.

Do not set "00000₂" or an odd number to the START/STOP condition set bit (SSC4 to SSC0).

Refer to Table 9, the recommended set value to START/STOP condition set bits (SSC4–SSC0) for each oscillation frequency.

•Bit 5: SCL/SDA interrupt pin polarity selection bit (SIP)

An interrupt can occur when detecting the falling or rising edge of the SCL or SDA pin. This bit selects the polarity of the SCL or SDA pin interrupt pin.

•Bit 6: SCL/SDA interrupt pin selection bit (SIS)

This bit selects the pin of which interrupt becomes valid between the SCL pin and the SDA pin.

Note: When changing the setting of the SCL/SDA interrupt pin polarity selection bit, the SCL/SDA interrupt pin selection bit, or the I²C-BUS interface enable bit ES0, the SCL/SDA interrupt request bit may be set. When selecting the SCL/SDA interrupt source, disable the interrupt before the SCL/SDA interrupt pin polarity selection bit, the SCL/SDA interrupt pin selection bit, or the I²C-BUS interface enable bit ES0 is set. Reset the request bit to "0" after setting these bits, and enable the interrupt.

Address Data Communication

There are two address data communication formats, namely, 7-bit addressing format and 10-bit addressing format. The respective address communication formats are described below.

① 7-bit addressing format

To adapt the 7-bit addressing format, set the 10BIT SAD bit of the I²C control register (address 002E₁₆) to "0." The first 7-bit address data transmitted from the master is compared with the high-order 7-bit slave address stored in the I²C address register (address 002C₁₆). At the time of this comparison, address comparison of the RWB bit of the I²C address register (address 002C₁₆) is not performed. For the data transmission format when the 7-bit addressing format is selected, refer to Figure 31, (1) and (2).

② 10-bit addressing format

To adapt the 10-bit addressing format, set the 10BIT SAD bit of the I²C control register (address 002E₁₆) to "1." An address comparison is performed between the first-byte address data transmitted from the master and the 8-bit slave address stored in the I²C address register (address 002C₁₆). At the time of this comparison, an address comparison between the RWB bit of the I²C address register (address 002C₁₆) and the R/W bit which is the last bit of the address data transmitted from the master is made. In the 10-bit addressing mode, the RWB bit which is the last bit of the address data not only specifies the direction of communication for control data, but also is processed as an address data bit.

When the first-byte address data agree with the slave address, the AAS bit of the I²C status register (address 002D₁₆) is set to "1." After the second-byte address data is stored into the I²C data shift register (address 002B₁₆), perform an address comparison between the second-byte data and the slave address by software. When the address data of the 2 bytes agree with the slave address, set the RBW bit of the I²C address register (address 002C₁₆) to "1" by software. This processing can make the 7-bit slave address and R/W data agree, which are received after a RESTART condition is detected, with the value of the I²C address register (address 002C₁₆). For the data transmission format when the 10-bit addressing format is selected, refer to Figure 31, (3) and (4).

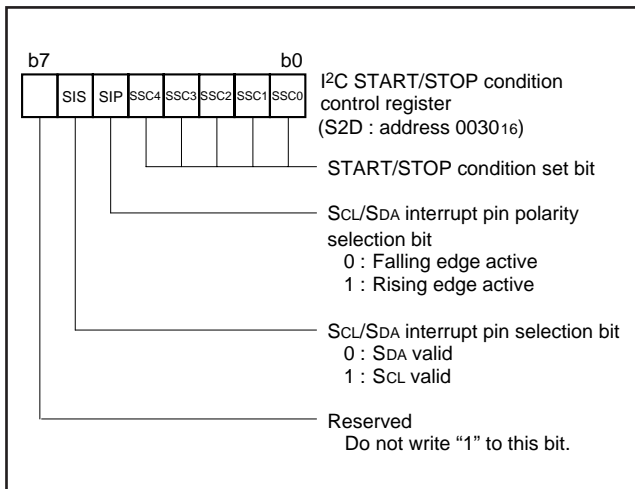


Fig. 30 Structure of I²C START/STOP condition control register

Table 9 Recommended set value to START/STOP condition set bits (SSC4–SSC0) for each oscillation frequency

| Oscillation frequency f(XIN) (MHz) | Main clock divide ratio | System clock ϕ (MHz) | START/STOP condition control register | SCL release time (μ s) | Setup time (μ s) | Hold time (μ s) |
|------------------------------------|-------------------------|---------------------------|---------------------------------------|-----------------------------|-----------------------------|-----------------------------|
| 8 | 2 | 4 | XXX11010 | 6.75 μ s (27 cycles) | 3.375 μ s (13.5 cycles) | 3.375 μ s (13.5 cycles) |
| | | | XXX11000 | 6.25 μ s (25 cycles) | 3.125 μ s (12.5 cycles) | 3.125 μ s (12.5 cycles) |
| 8 | 8 | 1 | XXX00100 | 5.0 μ s (5 cycles) | 2.5 μ s (2.5 cycles) | 2.5 μ s (2.5 cycles) |
| 4 | 2 | 2 | XXX01100 | 6.5 μ s (13 cycles) | 3.25 μ s (6.5 cycles) | 3.25 μ s (6.5 cycles) |
| | | | XXX01010 | 5.5 μ s (11 cycles) | 2.75 μ s (5.5 cycles) | 2.75 μ s (5.5 cycles) |
| 2 | 2 | 1 | XXX00100 | 5.0 μ s (5 cycles) | 2.5 μ s (2.5 cycles) | 2.5 μ s (2.5 cycles) |

Note: Do not set an odd number to the START/STOP condition set bit (SSC4 to SSC0).

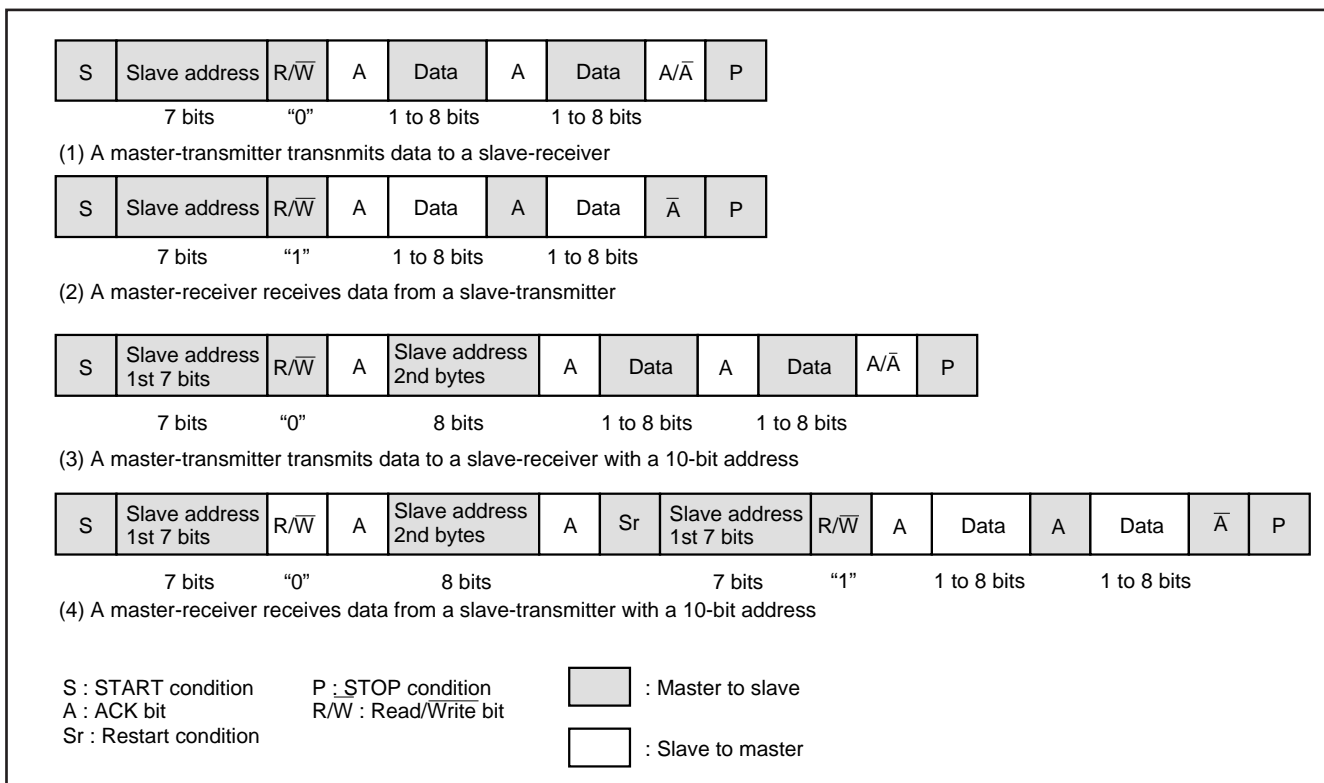


Fig. 31 Address data communication format

Example of Master Transmission

An example of master transmission in the standard clock mode, at the SCL frequency of 100 kHz and in the ACK return mode is shown below.

- ① Set a slave address in the high-order 7 bits of the I²C address register (address 002C₁₆) and "0" into the RWB bit.
- ② Set the ACK return mode and SCL = 100 kHz by setting "85₁₆" in the I²C clock control register (address 002F₁₆).
- ③ Set "00₁₆" in the I²C status register (address 002D₁₆) so that transmission/reception mode can become initializing condition.
- ④ Set a communication enable status by setting "08₁₆" in the I²C control register (address 002E₁₆).
- ⑤ Confirm the bus free condition by the BB flag of the I²C status register (address 002D₁₆).
- ⑥ Set the address data of the destination of transmission in the high-order 7 bits of the I²C data shift register (address 002B₁₆) and set "0" in the least significant bit.
- ⑦ Set "F0₁₆" in the I²C status register (address 002D₁₆) to generate a START condition. At this time, an SCL for 1 byte and an ACK clock automatically occur.
- ⑧ Set transmit data in the I²C data shift register (address 002B₁₆). At this time, an SCL and an ACK clock automatically occur.
- ⑨ When transmitting control data of more than 1 byte, repeat step ⑧.
- ⑩ Set "D0₁₆" in the I²C status register (address 002D₁₆) to generate a STOP condition if ACK is not returned from slave reception side or transmission ends.

Example of Slave Reception

An example of slave reception in the high-speed clock mode, at the SCL frequency of 400 kHz, in the ACK non-return mode and using the addressing format is shown below.

- ① Set a slave address in the high-order 7 bits of the I²C address register (address 002C₁₆) and "0" in the RWB bit.
- ② Set the no ACK clock mode and SCL = 400 kHz by setting "65₁₆" in the I²C clock control register (address 002F₁₆).
- ③ Set "00₁₆" in the I²C status register (address 002D₁₆) so that transmission/reception mode can become initializing condition.
- ④ Set a communication enable status by setting "08₁₆" in the I²C control register (address 002E₁₆).
- ⑤ When a START condition is received, an address comparison is performed.
- ⑥ •When all transmitted addresses are "0" (general call):
AD0 of the I²C status register (address 002D₁₆) is set to "1" and an interrupt request signal occurs.
• When the transmitted addresses agree with the address set in ①:
ASS of the I²C status register (address 002D₁₆) is set to "1" and an interrupt request signal occurs.
• In the cases other than the above AD0 and AAS of the I²C status register (address 002D₁₆) are set to "0" and no interrupt request signal occurs.
- ⑦ Set dummy data in the I²C data shift register (address 002B₁₆).
- ⑧ When receiving control data of more than 1 byte, repeat step ⑦.
- ⑨ When a STOP condition is detected, the communication ends.

■Precautions when using multi-master I²C-BUS interface

(1) Read-modify-write instruction

The precautions when the read-modify-write instruction such as SEB, CLB etc. is executed for each register of the multi-master I²C-BUS interface are described below.

- I²C data shift register (S0: address 002B16)

When executing the read-modify-write instruction for this register during transfer, data may become a value not intended.

- I²C address register (S0D: address 002C16)

When the read-modify-write instruction is executed for this register at detecting the STOP condition, data may become a value not intended. It is because H/W changes the read/write bit (RBW) at the above timing.

- I²C status register (S1: address 002D16)

Do not execute the read-modify-write instruction for this register because all bits of this register are changed by H/W.

- I²C control register (S1D: address 002E16)

When the read-modify-write instruction is executed for this register at detecting the START condition or at completing the byte transfer, data may become a value not intended. Because H/W changes the bit counter (BC0-BC2) at the above timing.

- I²C clock control register (S2: address 002F16)

The read-modify-write instruction can be executed for this register.

- I²C START/STOP condition control register (S2D: address 003016)

The read-modify-write instruction can be executed for this register.

(2) START condition generating procedure using multi-master

1. Procedure example (The necessary conditions of the generating procedure are described as the following 2 to 5.)

```

:
LDA —          (Taking out of slave address value)
SEI             (Interrupt disabled)
BBS 5, S1, BUSBUSY (BB flag confirming and branch process)
BUSFREE:
STA S0         (Writing of slave address value)
LDM #F0, S1   (Trigger of START condition generating)
CLI           (Interrupt enabled)
:
BUSBUSY:
CLI           (Interrupt enabled)
:
    
```

2. Use "Branch on Bit Set" of "BBS 5, \$002D, -" for the BB flag confirming and branch process.
3. Use "STA \$2B, STX \$2B" or "STY \$2B" of the zero page addressing instruction for writing the slave address value to the I²C data shift register.
4. Execute the branch instruction of above 2 and the store instruction of above 3 continuously shown the above procedure example.

5. Disable interrupts during the following three process steps:

- BB flag confirming
- Writing of slave address value
- Trigger of START condition generating

When the condition of the BB flag is bus busy, enable interrupts immediately.

(3) RESTART condition generating procedure

1. Procedure example (The necessary conditions of the generating procedure are described as the following 2 to 4.)

Execute the following procedure when the PIN bit is "0."

```

:
LDM #S0, S1   (Select slave receive mode)
LDA —        (Taking out of slave address value)
SEI           (Interrupt disabled)
STA S0        (Writing of slave address value)
LDM #F0, S1   (Trigger of RESTART condition generating)
CLI           (Interrupt enabled)
:
    
```

2. Select the slave receive mode when the PIN bit is "0." Do not write "1" to the PIN bit. Neither "0" nor "1" is specified for the writing to the BB bit.

The TRX bit becomes "0" and the SDA pin is released.

3. The SCL pin is released by writing the slave address value to the I²C data shift register.

4. Disable interrupts during the following two process steps:

- Writing of slave address value
- Trigger of RESTART condition generating

(4) Writing to I²C status register

Do not execute an instruction to set the PIN bit to "1" from "0" and an instruction to set the MST and TRX bits to "0" from "1" simultaneously. It is because it may enter the state that the SCL pin is released and the SDA pin is released after about one machine cycle. Do not execute an instruction to set the MST and TRX bits to "0" from "1" simultaneously when the PIN bit is "1." It is because it may become the same as above.

(5) Process of after STOP condition generating

Do not write data in the I²C data shift register S0 and the I²C status register S1 until the bus busy flag BB becomes "0" after generating the STOP condition in the master mode. It is because the STOP condition waveform might not be normally generated. Reading to the above registers do not have the problem.

PULSE WIDTH MODULATION (PWM)

The 3851 group has a PWM function with an 8-bit resolution, based on a signal that is the clock input X_{IN} or that clock input divided by 2.

Data Setting

The PWM output pin also functions as port P44. Set the PWM period by the PWM prescaler, and set the "H" term of output pulse by the PWM register.

If the value in the PWM prescaler is n and the value in the PWM register is m (where n = 0 to 255 and m = 0 to 255) :

$$\begin{aligned} \text{PWM period} &= 255 \times (n+1) / f(X_{IN}) \\ &= 31.875 \times (n+1) \mu\text{s} \quad (\text{when } f(X_{IN}) = 8 \text{ MHz}) \end{aligned}$$

$$\begin{aligned} \text{Output pulse "H" term} &= \text{PWM period} \times m / 255 \\ &= 0.125 \times (n+1) \times m \mu\text{s} \\ &\quad (\text{when } f(X_{IN}) = 8 \text{ MHz}) \end{aligned}$$

PWM Operation

When bit 0 (PWM enable bit) of the PWM control register is set to "1", operation starts by initializing the PWM output circuit, and pulses are output starting at an "H".

If the PWM register or PWM prescaler is updated during PWM output, the pulses will change in the cycle after the one in which the change was made.

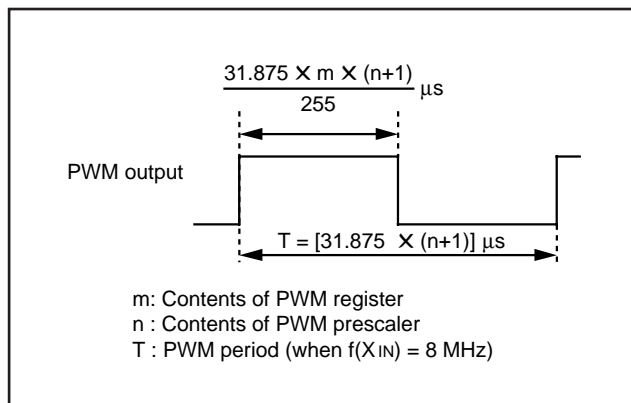


Fig. 32 Timing of PWM period

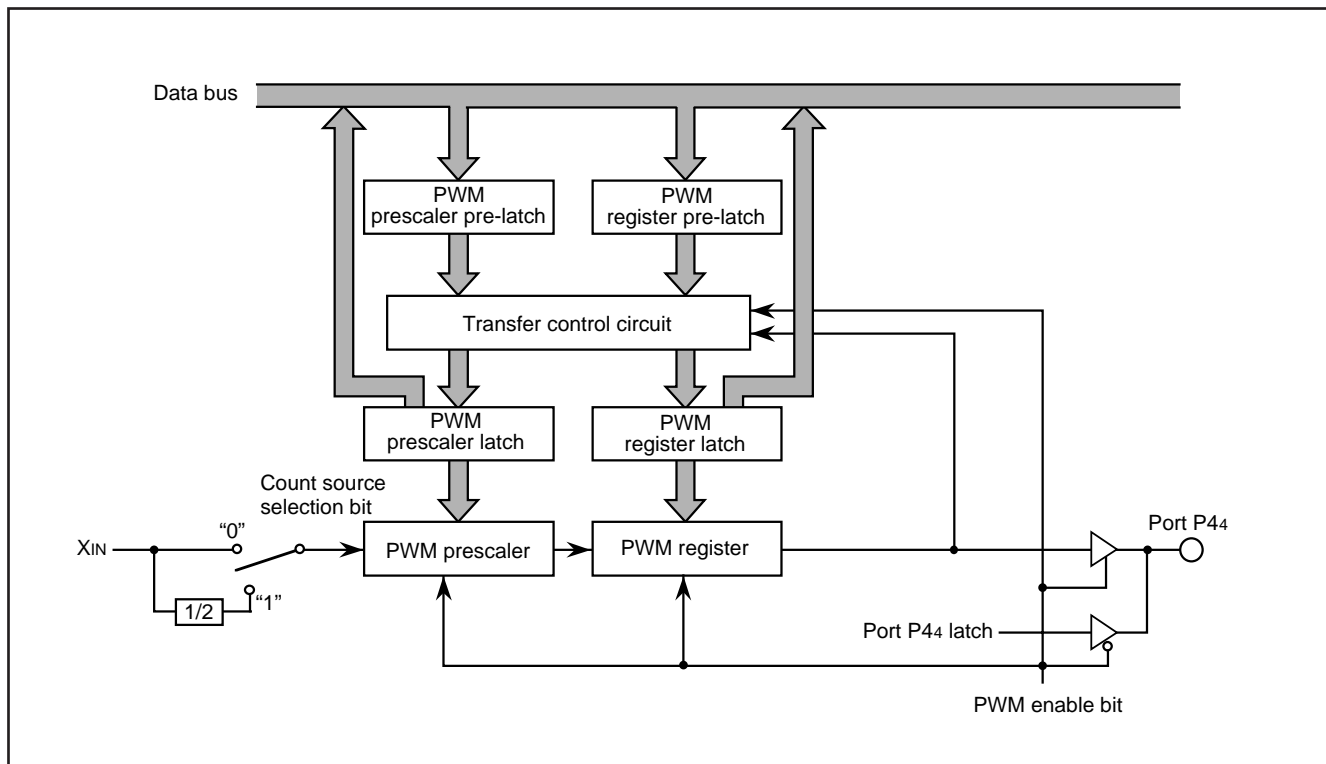


Fig. 33 Block diagram of PWM function

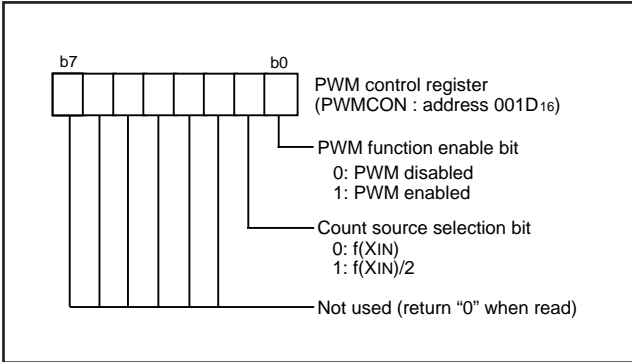


Fig. 34 Structure of PWM control register

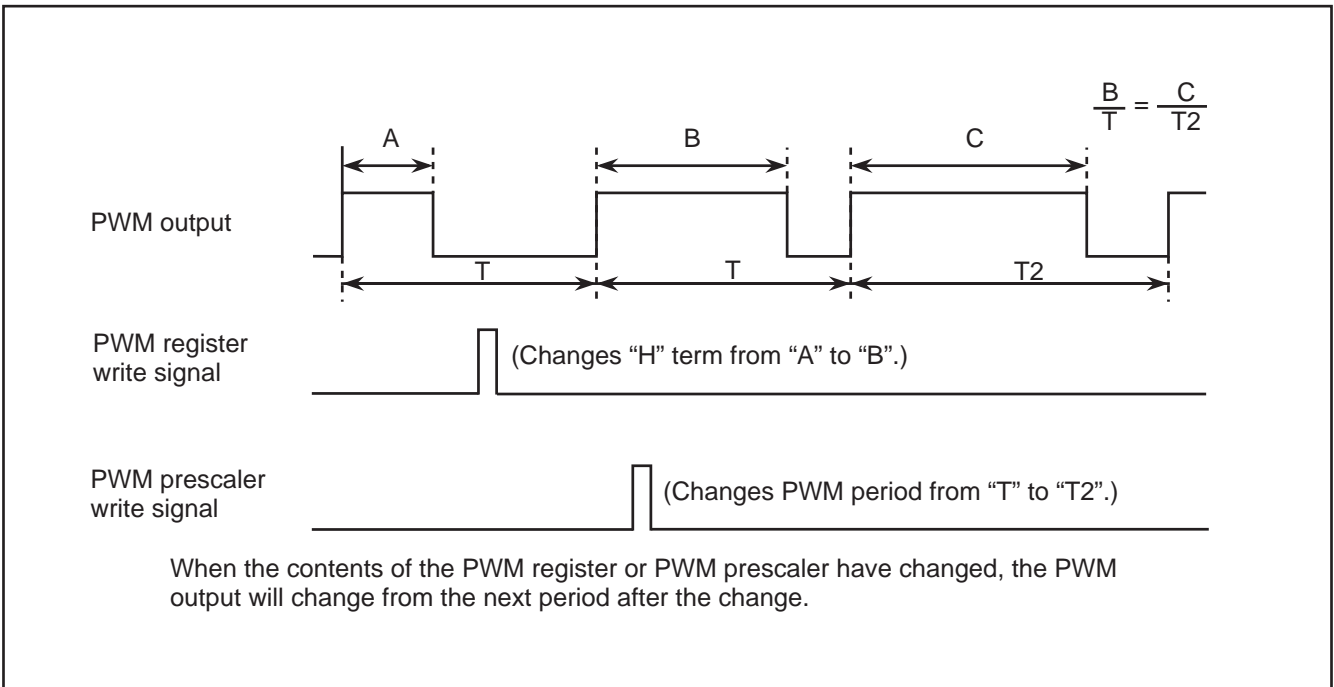


Fig. 35 PWM output timing when PWM register or PWM prescaler is changed

A-D CONVERTER

[A-D Conversion Registers (ADL, ADH)] 003516, 003616

The A-D conversion registers are read-only registers that store the result of an A-D conversion. Do not read these registers during an A-D conversion

[AD Control Register (ADCON)] 003416

The AD control register controls the A-D conversion process. Bits 0 to 2 select a specific analog input pin. Bit 4 indicates the completion of an A-D conversion. The value of this bit remains at "0" during an A-D conversion and changes to "1" when an A-D conversion ends. Writing "0" to this bit starts the A-D conversion.

Comparison Voltage Generator

The comparison voltage generator divides the voltage between AVSS and VREF into 1024 and outputs the divided voltages.

Channel Selector

The channel selector selects one of ports P30/AN0 to P34/AN4 and inputs the voltage to the comparator.

Comparator and Control Circuit

The comparator and control circuit compare an analog input voltage with the comparison voltage, and the result is stored in the A-D conversion registers. When an A-D conversion is completed, the control circuit sets the A-D conversion completion bit and the A-D interrupt request bit to "1".

Note that because the comparator consists of a capacitor coupling, set f(XIN) to 500 kHz or more during an A-D conversion.

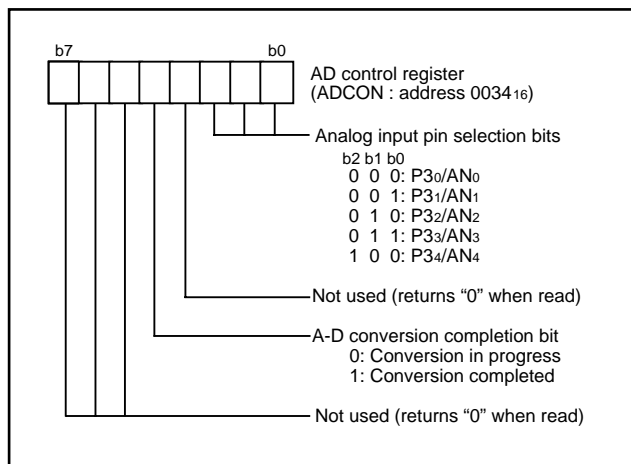


Fig. 36 Structure of AD control register

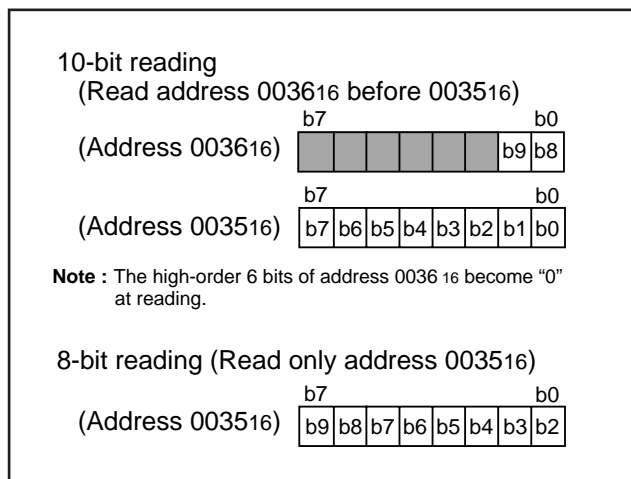


Fig. 37 Structure of A-D conversion registers

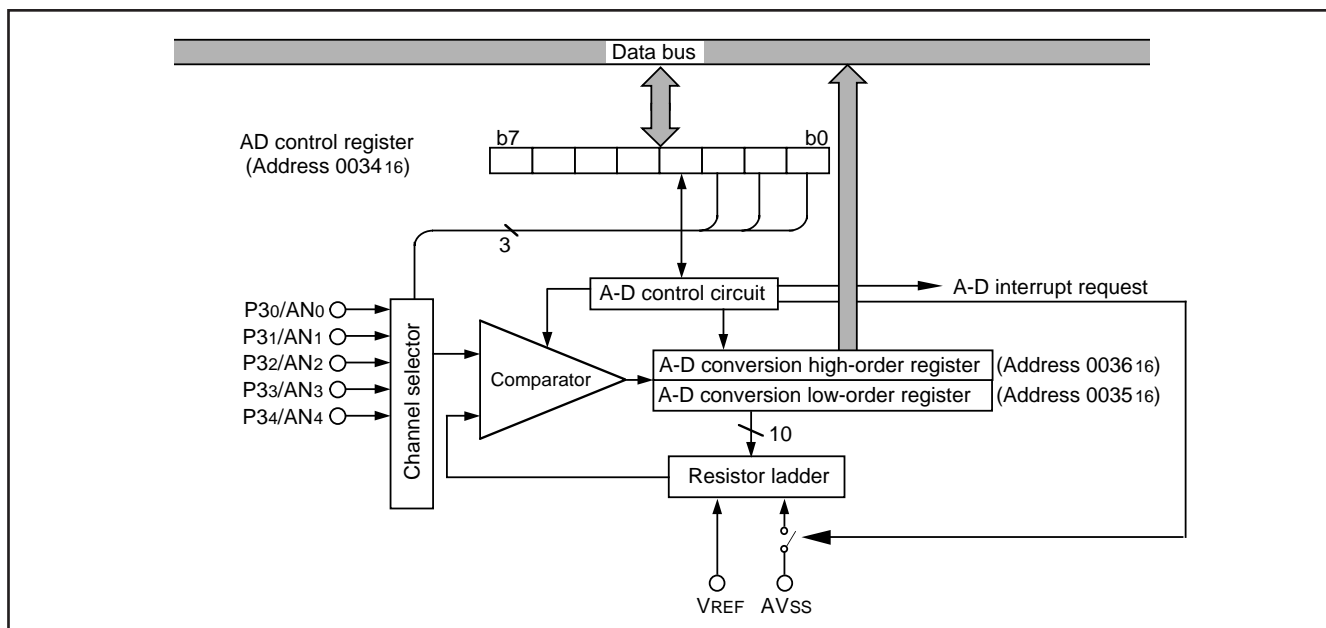


Fig. 38 Block diagram of A-D converter

WATCHDOG TIMER

The watchdog timer gives a mean of returning to the reset status when a program cannot run on a normal loop (for example, because of a software run-away). The watchdog timer consists of an 8-bit watchdog timer L and an 8-bit watchdog timer H.

Standard Operation of Watchdog Timer

When any data is not written into the watchdog timer control register (address 0039₁₆) after resetting, the watchdog timer is in the stop state. The watchdog timer starts to count down by writing an optional value into the watchdog timer control register (address 0039₁₆) and an internal reset occurs at an underflow of the watchdog timer H.

Accordingly, programming is usually performed so that writing to the watchdog timer control register (address 0039₁₆) may be started before an underflow. When the watchdog timer control register (address 0039₁₆) is read, the values of the high-order 6 bits of the watchdog timer H, STP instruction disable bit, and watchdog timer H count source selection bit are read.

Initial value of watchdog timer

At reset or writing to the watchdog timer control register (address 0039₁₆), each watchdog timer H and L is set to "FF₁₆."

Watchdog timer H count source selection bit operation

Bit 7 of the watchdog timer control register (address 0039₁₆) permits selecting a watchdog timer H count source. When this bit is set to "0", the count source becomes the underflow signal of watchdog timer L. The detection time is set to 131.072 ms at $f(X_{IN}) = 8$ MHz frequency and 32.768 s at $f(X_{CIN}) = 32$ kHz frequency. When this bit is set to "1", the count source becomes the signal divided by 16 for $f(X_{IN})$ (or $f(X_{CIN})$). The detection time in this case is set to 512 μ s at $f(X_{IN}) = 8$ MHz frequency and 128 ms at $f(X_{CIN}) = 32$ kHz frequency. This bit is cleared to "0" after resetting.

Operation of STP instruction disable bit

Bit 6 of the watchdog timer control register (address 0039₁₆) permits disabling the STP instruction when the watchdog timer is in operation.

When this bit is "0", the STP instruction is enabled. When this bit is "1", the STP instruction is disabled, once the STP instruction is executed, an internal reset occurs. When this bit is set to "1", it cannot be rewritten to "0" by program. This bit is cleared to "0" after resetting.

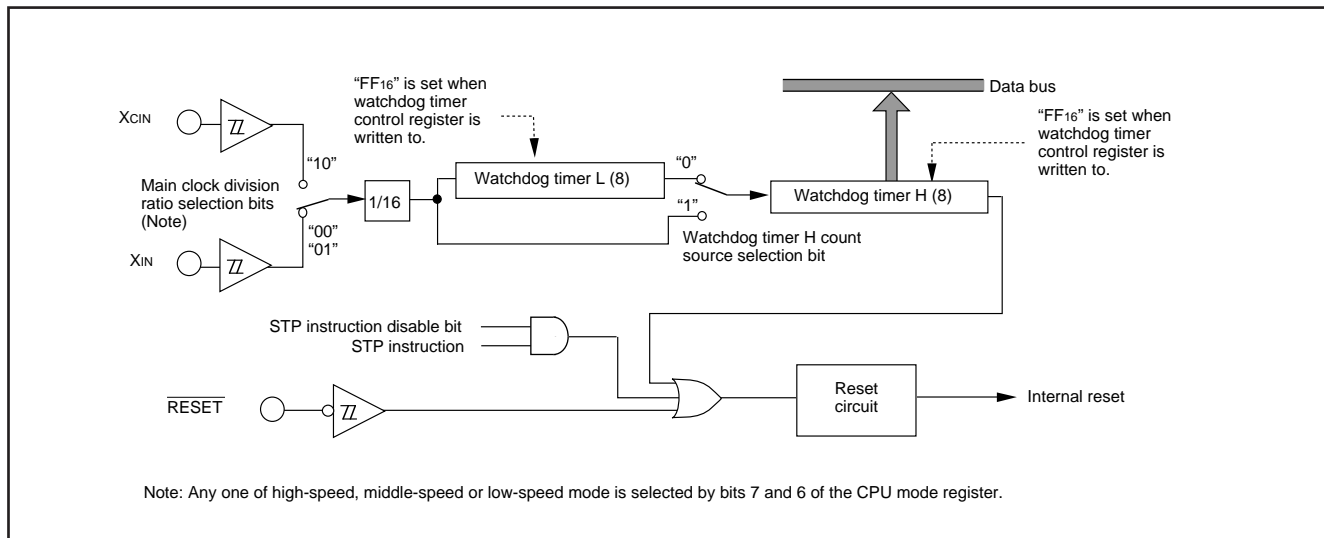


Fig. 39 Block diagram of Watchdog timer

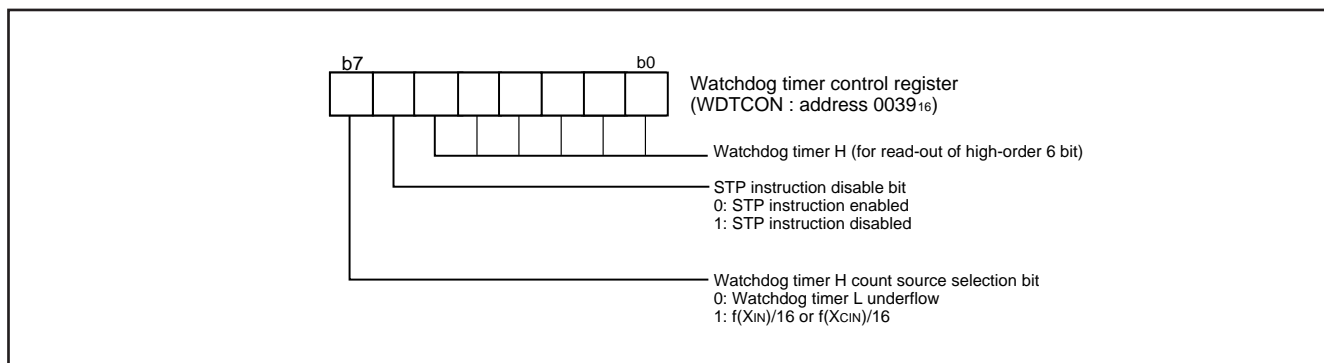


Fig. 40 Structure of Watchdog timer control register

RESET CIRCUIT

To reset the microcomputer, $\overline{\text{RESET}}$ pin must be held at an "L" level for 2 μs or more. Then the $\overline{\text{RESET}}$ pin is returned to an "H" level (the power source voltage must be between 2.7 V and 5.5 V, and the oscillation must be stable), reset is released. After the reset is completed, the program starts from the address contained in address FFFD_{16} (high-order byte) and address FFFC_{16} (low-order byte). Make sure that the reset input voltage is less than 0.54 V for V_{CC} of 2.7 V.

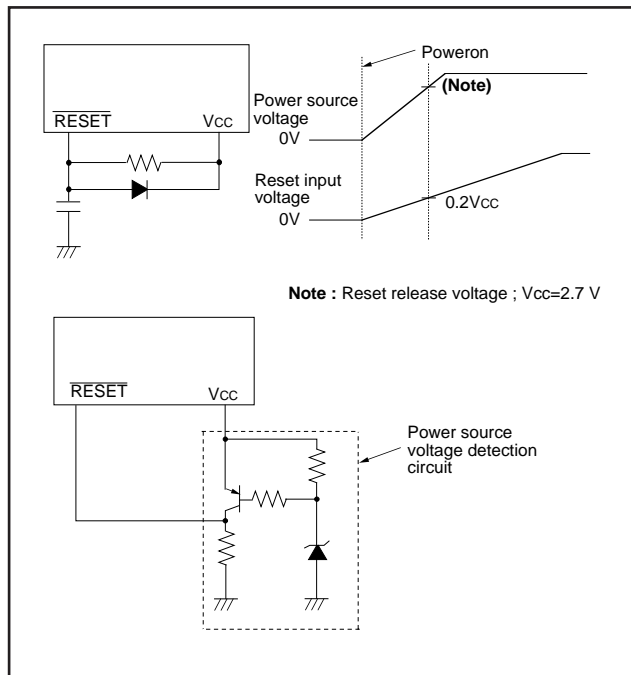


Fig. 41 Reset circuit example

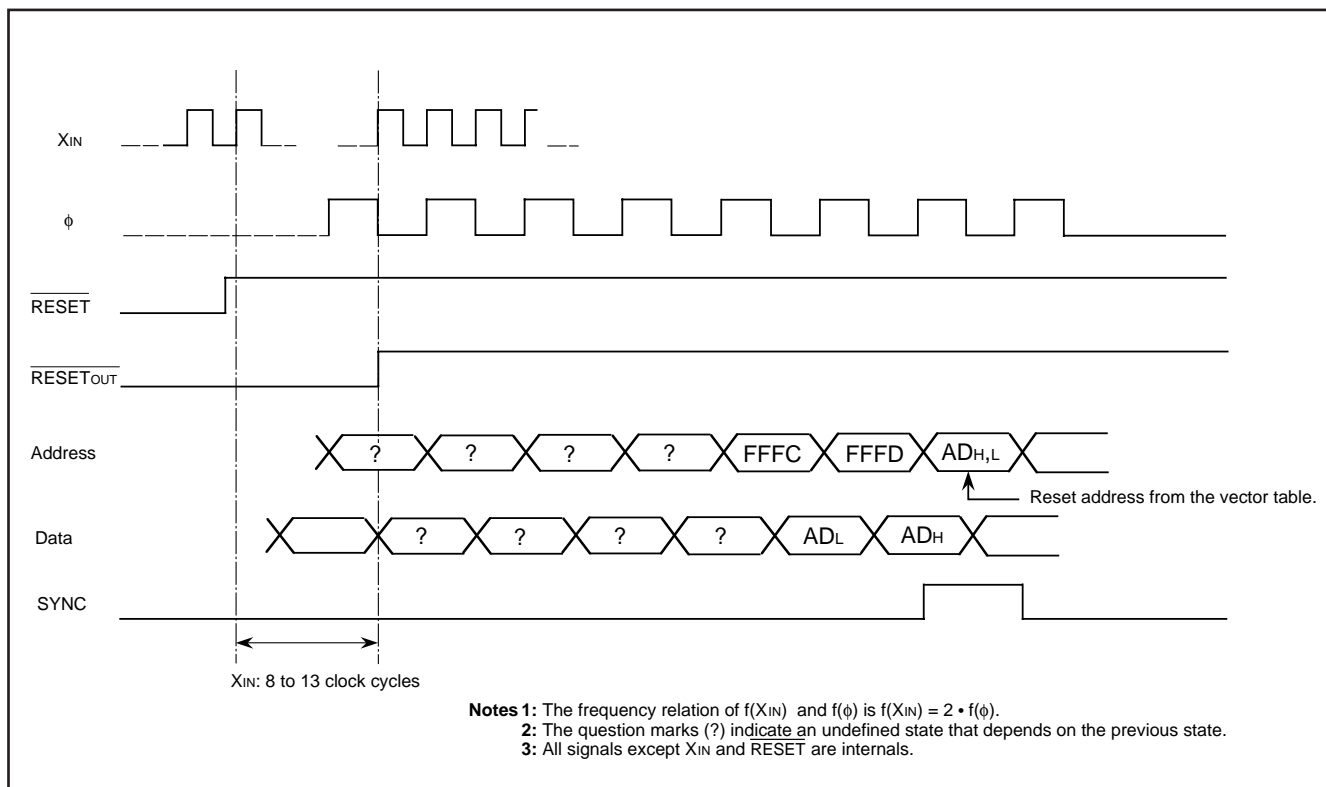


Fig. 42 Reset sequence

| | Address | Register contents |
|---|--------------------|----------------------------|
| (1) Port P0 direction register (P0D) | 0001 ₁₆ | 00 ₁₆ |
| (2) Port P1 direction register (P1D) | 0003 ₁₆ | 00 ₁₆ |
| (3) Port P2 direction register (P2D) | 0005 ₁₆ | 00 ₁₆ |
| (4) Port P3 direction register (P3D) | 0007 ₁₆ | 00 ₁₆ |
| (5) Port P4 direction register (P4D) | 0009 ₁₆ | 00 ₁₆ |
| (6) Serial I/O status register (SIOSTS) | 0019 ₁₆ | 1 0 0 0 0 0 0 0 |
| (7) Serial I/O control register (SIOCON) | 001A ₁₆ | 00 ₁₆ |
| (8) UART control register (UARTCON) | 001B ₁₆ | 1 1 1 0 0 0 0 0 |
| (9) PWM control register (PWMCON) | 001D ₁₆ | 00 ₁₆ |
| (10) Prescaler 12 (PRE12) | 0020 ₁₆ | FF ₁₆ |
| (11) Timer 1 (T1) | 0021 ₁₆ | 01 ₁₆ |
| (12) Timer 2 (T2) | 0022 ₁₆ | 00 ₁₆ |
| (13) Timer XY mode register (TM) | 0023 ₁₆ | 00 ₁₆ |
| (14) Prescaler X (PREX) | 0024 ₁₆ | FF ₁₆ |
| (15) Timer X (TX) | 0025 ₁₆ | FF ₁₆ |
| (16) Prescaler Y (PREY) | 0026 ₁₆ | FF ₁₆ |
| (17) Timer Y (TY) | 0027 ₁₆ | FF ₁₆ |
| (18) Timer count source select register | 0028 ₁₆ | 00 ₁₆ |
| (19) I ² C address register (S0D) | 002C ₁₆ | 00 ₁₆ |
| (20) I ² C status register (S1) | 002D ₁₆ | 0 0 0 1 0 0 0 X |
| (21) I ² C control register (S1D) | 002E ₁₆ | 00 ₁₆ |
| (22) I ² C clock control register (S2) | 002F ₁₆ | 00 ₁₆ |
| (23) I ² C start/stop condition control register (S2D) | 0030 ₁₆ | 0 0 0 1 1 0 1 0 |
| (24) AD control register (ADCON) | 0034 ₁₆ | 0 0 0 1 0 0 0 0 |
| (25) MISRG | 0038 ₁₆ | 00 ₁₆ |
| (26) Watchdog timer control register (WDTCON) | 0039 ₁₆ | 0 0 1 1 1 1 1 1 |
| (27) Interrupt edge selection register (INTEDGE) | 003A ₁₆ | 00 ₁₆ |
| (28) CPU mode register (CPUM) | 003B ₁₆ | 0 1 0 0 1 0 0 0 |
| (29) Interrupt request register 1 (IREQ1) | 003C ₁₆ | 00 ₁₆ |
| (30) Interrupt request register 2 (IREQ2) | 003D ₁₆ | 00 ₁₆ |
| (31) Interrupt control register 1 (ICON1) | 003E ₁₆ | 00 ₁₆ |
| (32) Interrupt control register 2 (ICON2) | 003F ₁₆ | 00 ₁₆ |
| (33) Processor status register | (PS) | X X X X X 1 X X |
| (34) Program counter | (PC _H) | FFF ₁₆ contents |
| | (PC _L) | FF ₁₆ contents |

Note : X indicates Not fixed .

Fig. 43 Internal status at reset

CLOCK GENERATING CIRCUIT

The 3851 group has two built-in oscillation circuits. An oscillation circuit can be formed by connecting a resonator between XIN and XOUT (XCIN and XCOUT). Use the circuit constants in accordance with the resonator manufacturer's recommended values. No external resistor is needed between XIN and XOUT since a feed-back resistor exists on-chip. However, an external feed-back resistor is needed between XCIN and XCOUT.

Immediately after power on, only the XIN oscillation circuit starts oscillating, and XCIN and XCOUT pins function as I/O ports.

Frequency Control

(1) Middle-speed mode

The internal clock ϕ is the frequency of XIN divided by 8. After reset, this mode is selected.

(2) High-speed mode

The internal clock ϕ is half the frequency of XIN.

(3) Low-speed mode

The internal clock ϕ is half the frequency of XCIN.

■Note

If you switch the mode between middle/high-speed and low-speed, stabilize both XIN and XCIN oscillations. The sufficient time is required for the sub-clock to stabilize, especially immediately after power on and at returning from the stop mode. When switching the mode between middle/high-speed and low-speed, set the frequency on condition that $f(XIN) > 3 \cdot f(XCIN)$.

(4) Low power dissipation mode

The low power consumption operation can be realized by stopping the main clock XIN in low-speed mode. To stop the main clock, set bit 5 of the CPU mode register to "1." When the main clock XIN is restarted (by setting the main clock stop bit to "0"), set sufficient time for oscillation to stabilize.

The sub-clock XCIN-XCOUT oscillating circuit can not directly input clocks that are generated externally. Accordingly, make sure to cause an external resonator to oscillate.

Oscillation Control

(1) Stop mode

If the STP instruction is executed, the internal clock ϕ stops at an "H" level, and XIN and XCIN oscillation stops. When the oscillation stabilizing time set after STP instruction released bit is "0," the prescaler 12 is set to "FF16" and timer 1 is set to "0116." When the oscillation stabilizing time set after STP instruction released bit is "1," set the sufficient time for oscillation of used oscillator to stabilize since nothing is set to the prescaler 12 and timer 1.

Either XIN or XCIN divided by 16 is input to the prescaler 12 as count source. Oscillator restarts when an external interrupt is received, but the internal clock ϕ is not supplied to the CPU (remains at "H") until timer 1 underflows. The internal clock ϕ is supplied for the first time, when timer 1 underflows. This ensures time for the clock oscillation using the ceramic resonators to be stabilized. When the oscillator is restarted by reset, apply "L" level to the RESET pin until the oscillation is stable since a wait time will not

be generated.

(2) Wait mode

If the WIT instruction is executed, the internal clock ϕ stops at an "H" level, but the oscillator does not stop. The internal clock ϕ restarts at reset or when an interrupt is received. Since the oscillator does not stop, normal operation can be started immediately after the clock is restarted.

To ensure that the interrupts will be received to release the STP or WIT state, their interrupt enable bits must be set to "1" before executing of the STP or WIT instruction.

When releasing the STP state, the prescaler 12 and timer 1 will start counting the clock XIN divided by 16. Accordingly, set the timer 1 interrupt enable bit to "0" before executing the STP instruction.

■Note

When using the oscillation stabilizing time set after STP instruction released bit set to "1," evaluate time to stabilize oscillation of the used oscillator and set the value to the timer 1 and prescaler 12.

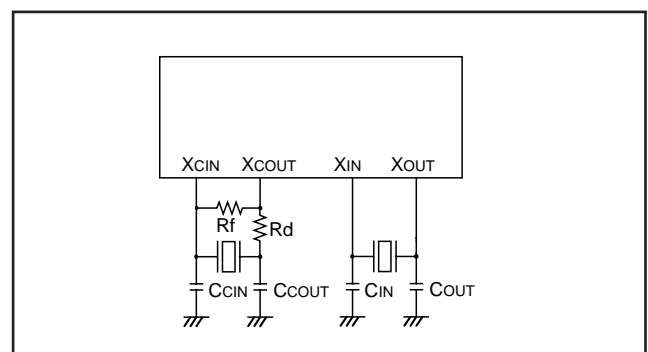


Fig. 44 Ceramic resonator circuit

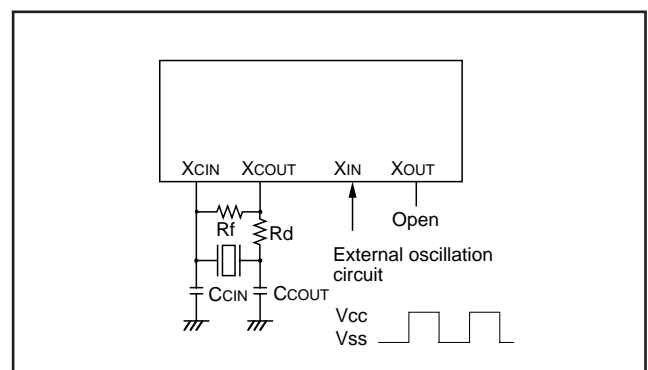


Fig. 45 External clock input circuit

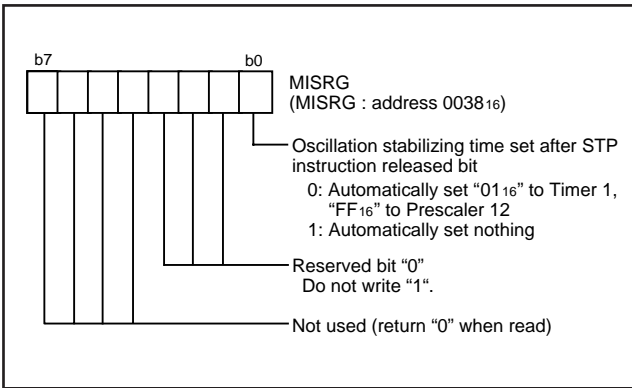


Fig. 46 Structure of MISRG

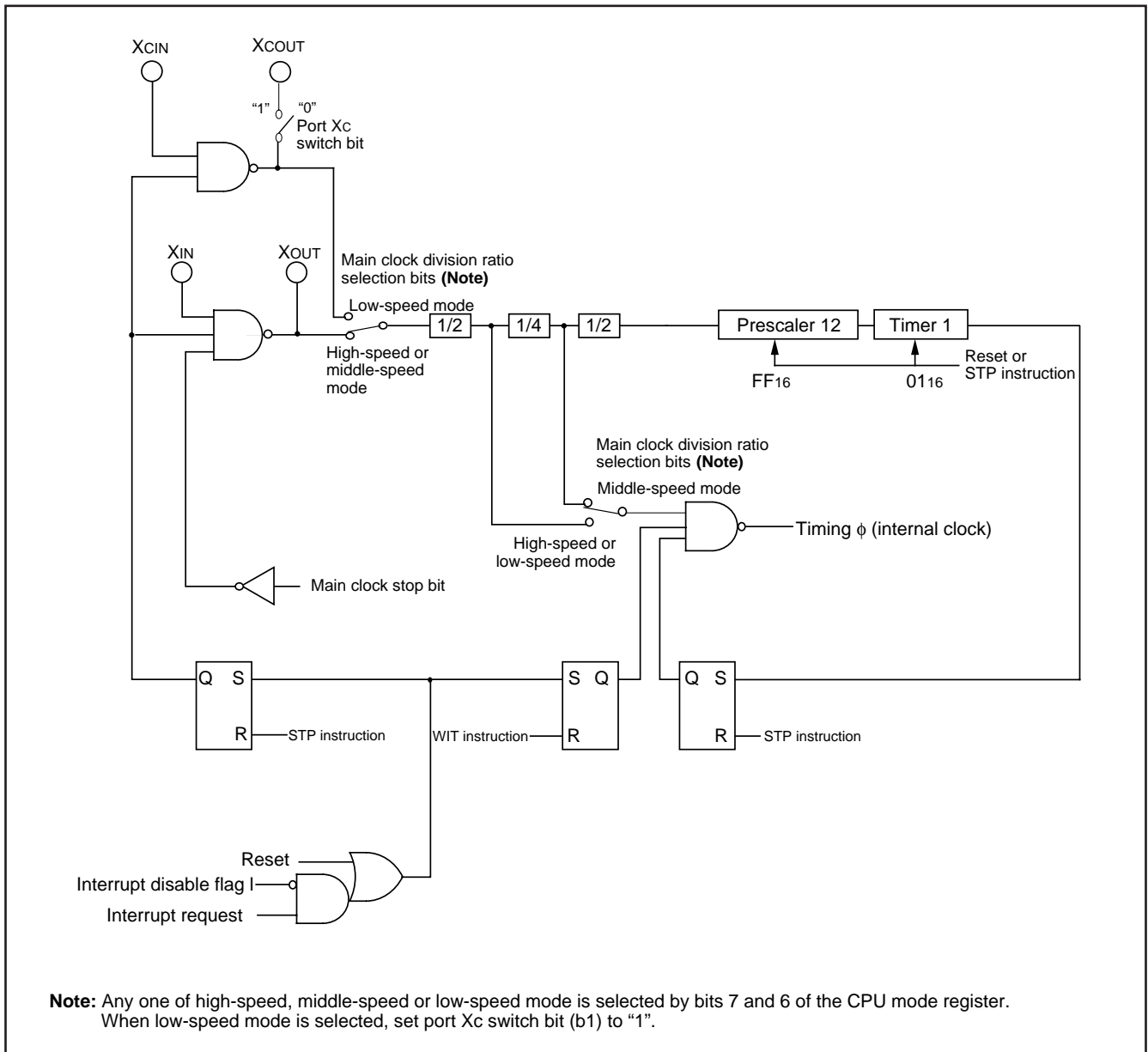


Fig. 47 System clock generating circuit block diagram (Single-chip mode)

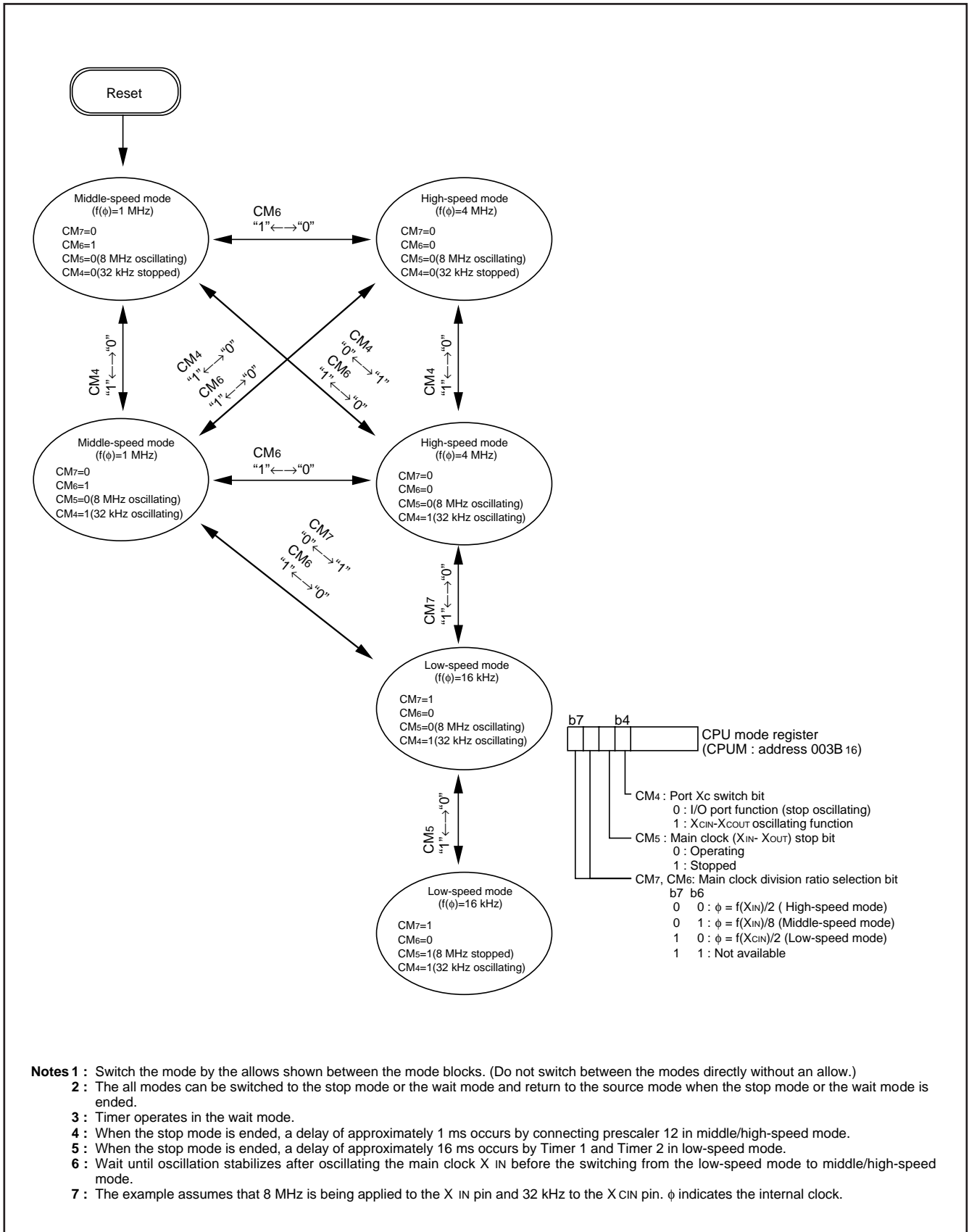


Fig. 48 State transitions of system clock

NOTES ON PROGRAMMING

Processor Status Register

The contents of the processor status register (PS) after a reset are undefined, except for the interrupt disable flag (I) which is "1." After a reset, initialize flags which affect program execution. In particular, it is essential to initialize the index X mode (T) and the decimal mode (D) flags because of their effect on calculations.

Interrupts

The contents of the interrupt request bits do not change immediately after they have been written. After writing to an interrupt request register, execute at least one instruction before performing a BBC or BBS instruction.

Decimal Calculations

- To calculate in decimal notation, set the decimal mode flag (D) to "1", then execute an ADC or SBC instruction. After executing an ADC or SBC instruction, execute at least one instruction before executing a SEC, CLC, or CLD instruction.
- In decimal mode, the values of the negative (N), overflow (V), and zero (Z) flags are invalid.

Timers

If a value n (between 0 and 255) is written to a timer latch, the frequency division ratio is $1/(n+1)$.

Multiplication and Division Instructions

- The index X mode (T) and the decimal mode (D) flags do not affect the MUL and DIV instruction.
- The execution of these instructions does not change the contents of the processor status register.

Ports

The contents of the port direction registers cannot be read. The following cannot be used:

- The data transfer instruction (LDA, etc.)
- The operation instruction when the index X mode flag (T) is "1"
- The addressing mode which uses the value of a direction register as an index
- The bit-test instruction (BBC or BBS, etc.) to a direction register
- The read-modify-write instructions (ROR, CLB, or SEB, etc.) to a direction register.

Use instructions such as LDM and STA, etc., to set the port direction registers.

Serial I/O

In clock synchronous serial I/O, if the receive side is using an external clock and it is to output the SRDY signal, set the transmit enable bit, the receive enable bit, and the SRDY output enable bit to "1."

Serial I/O continues to output the final bit from the TXD pin after transmission is completed.

When an external clock is used as synchronous clock in serial I/O, write transmission data to the transmit buffer register while the transfer clock is "H."

A-D Converter

The comparator uses internal capacitors whose charge will be lost if the clock frequency is too low.

Therefore, make sure that $f(XIN)$ is at least on 500 kHz during an A-D conversion.

Do not execute the STP or WIT instruction during an A-D conversion.

Instruction Execution Time

The instruction execution time is obtained by multiplying the frequency of the internal clock ϕ by the number of cycles needed to execute an instruction.

The number of cycles required to execute an instruction is shown in the list of machine instructions.

The frequency of the internal clock ϕ is half of the XIN frequency in high-speed mode.

DATA REQUIRED FOR MASK ORDERS

The following are necessary when ordering a mask ROM production:

- 1.Mask ROM Order Confirmation Form
- 2.Mark Specification Form
- 3.Data to be written to ROM, in EPROM form (three identical copies)

DATA REQUIRED FOR ROM WRITING ORDERS

The following are necessary when ordering a ROM writing:

- 1.ROM Writing Confirmation Form
- 2.Mark Specification Form
- 3.Data to be written to ROM, in EPROM form (three identical copies)

ROM PROGRAMMING METHOD

The built-in PROM of the blank One Time PROM version and built-in EPROM version can be read or programmed with a general-purpose PROM programmer using a special programming adapter. Set the address of PROM programmer in the user ROM area.

Table 10 Programming adapter

| Package | Name of Programming Adapter |
|---------|-----------------------------|
| 42P2R-A | PCA4738F-42A |
| 42P4B | PCA4738S-42A |

The PROM of the blank One Time PROM version is not tested or screened in the assembly process and following processes. To ensure proper operation after programming, the procedure shown in Figure 49 is recommended to verify programming.

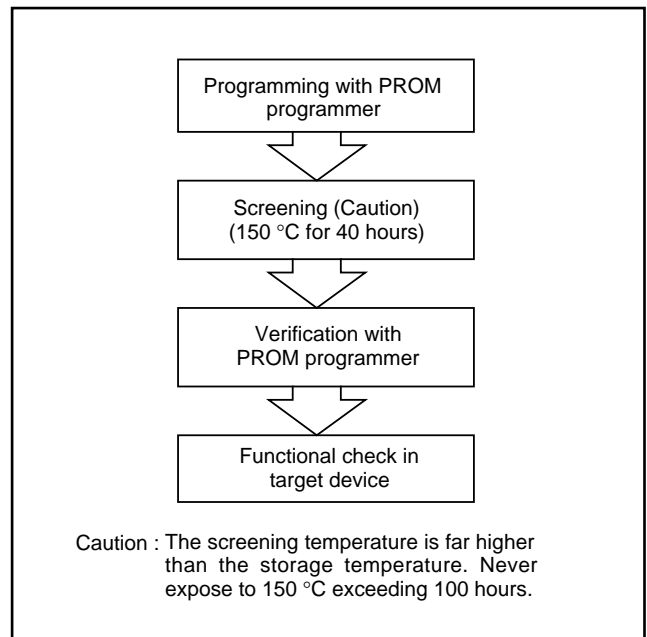


Fig. 49 Programming and testing of One Time PROM version

ELECTRICAL CHARACTERISTICS

Table 11 Absolute maximum ratings

| Symbol | Parameter | Conditions | Ratings | Unit |
|--------|--|---|------------------|------|
| VCC | Power source voltage | | -0.3 to 7.0 | V |
| VI | Input voltage P00-P07, P10-P17, P20, P21, P24-P27, P30-P34, P40-P44, VREF | All voltages are based on Vss. Output transistors are cut off. | -0.3 to Vcc +0.3 | V |
| VI | Input voltage P22, P23 | | -0.3 to 5.8 | V |
| VI | Input voltage RESET, XIN | | -0.3 to Vcc +0.3 | V |
| VI | Input voltage CNVss | | -0.3 to 13 | V |
| VO | Output voltage P00-P07, P10-P17, P20, P21, P24-P27, P30-P34, P40-P44, XOUT | | -0.3 to Vcc +0.3 | V |
| VO | Output voltage P22, P23 | | -0.3 to 5.8 | V |
| Pd | Power dissipation | Ta = 25 °C | 300 | mW |
| Topr | Operating temperature | | -20 to 85 | °C |
| Tstg | Storage temperature | | -40 to 125 | °C |

Table 12 Recommended operating conditions (1)

(Vcc = 2.7 to 5.5 V, Ta = -20 to 85 °C, unless otherwise noted)

| Symbol | Parameter | Limits | | | Unit |
|------------|--|--------|------|---------|------|
| | | Min. | Typ. | Max. | |
| VCC | Power source voltage (At 8 MHz) | 4.0 | 5.0 | 5.5 | V |
| | Power source voltage (At 4 MHz) | 2.7 | 5.0 | 5.5 | |
| VSS | Power source voltage | | 0 | | V |
| VREF | A-D convert reference voltage | 2.0 | | Vcc | V |
| AVSS | Analog power source voltage | | 0 | | V |
| VIa | Analog input voltage AN0-AN4 | AVss | | Vcc | V |
| VIH | "H" input voltage P00-P07, P10-P17, P20-P27, P30-P34, P40-P44 | 0.8Vcc | | Vcc | V |
| VIH | "H" input voltage (when I ² C-BUS input level is selected) SDA1, SCL1 | 0.7Vcc | | 5.8 | V |
| VIH | "H" input voltage (when I ² C-BUS input level is selected) SDA2, SCL2 | 0.7Vcc | | Vcc | V |
| VIH | "H" input voltage (when SMBUS input level is selected) SDA1, SCL1 | 1.4 | | 5.8 | V |
| VIH | "H" input voltage (when SMBUS input level is selected) SDA2, SCL2 | 1.4 | | Vcc | V |
| VIH | "H" input voltage RESET, XIN, CNVss | 0.8Vcc | | Vcc | V |
| VIL | "L" input voltage P00-P07, P10-P17, P20-P27, P30-P34, P40-P44 | 0 | | 0.2Vcc | V |
| VIL | "L" input voltage (when I ² C-BUS input level is selected) SDA1, SDA2, SCL1, SCL2 | 0 | | 0.3Vcc | V |
| VIL | "L" input voltage (when SMBUS input level is selected) SDA1, SDA2, SCL1, SCL2 | 0 | | 0.6 | V |
| VIL | "L" input voltage RESET, CNVss | 0 | | 0.2Vcc | V |
| VIL | "L" input voltage XIN | 0 | | 0.16Vcc | V |
| ΣIOH(peak) | "H" total peak output current P00-P07, P10-P17, P30-P34 (Note) | | | -80 | mA |
| ΣIOH(peak) | "H" total peak output current P20, P21, P24-P27, P40-P44 (Note) | | | -80 | mA |
| ΣIOL(peak) | "L" total peak output current P00-P07, P10-P12, P30-P34 (Note) | | | 80 | mA |
| ΣIOL(peak) | "L" total peak output current P13-P17 (Note) | | | 80 | mA |
| ΣIOL(peak) | "L" total peak output current P20-P27, P40-P44 (Note) | | | 80 | mA |
| ΣIOH(avg) | "H" total average output current P00-P07, P10-P17, P30-P34 (Note) | | | -40 | mA |
| ΣIOH(avg) | "H" total average output current P20, P21, P24-P27, P40-P44 (Note) | | | -40 | mA |
| ΣIOL(avg) | "L" total average output current P00-P07, P10-P12, P30-P34 (Note) | | | 40 | mA |
| ΣIOL(avg) | "L" total average output current P13-P17 (Note) | | | 40 | mA |
| ΣIOL(avg) | "L" total average output current P20-P27, P40-P44 (Note) | | | 40 | mA |

Note : The total output current is the sum of all the currents flowing through all the applicable ports. The total average current is an average value measured over 100 ms. The total peak current is the peak value of all the currents.

Table 13 Recommended operating conditions (2)
 (VCC = 2.7 to 5.5 V, Ta = -20 to 85 °C, unless otherwise noted)

| Symbol | Parameter | | Limits | | | Unit |
|-----------|---|--|--------|------|------|------|
| | | | Min. | Typ. | Max. | |
| IOH(peak) | "H" peak output current | P00-P07, P10-P17, P20, P21, P24-P27, P30-P34, P40-P44 (Note 1) | | | -10 | mA |
| IOL(peak) | "L" peak output current | P00-P07, P10-P12, P20-P27, P30-P34, P40-P44 (Note 1) | | | 10 | mA |
| IOL(peak) | "L" peak output current | P13-P17 (Note 1) | | | 20 | mA |
| IOH(avg) | "H" average output current | P00-P07, P10-P17, P20, P21, P24-P27, P30-P34, P40-P44 (Note 2) | | | -5 | mA |
| IOL(avg) | "L" average output current | P00-P07, P10-P12, P20-P27, P30-P34, P40-P44 (Note 2) | | | 5 | mA |
| IOL(avg) | "L" peak output current | P13-P17 (Note 2) | | | 15 | mA |
| f(XIN) | Internal clock oscillation frequency (VCC = 4.0 to 5.5V) (Note 3) | | | | 8 | MHz |
| f(XIN) | Internal clock oscillation frequency (VCC = 2.7 to 5.5V) (Note 3) | | | | 4 | kHz |

- Notes** 1: The peak output current is the peak current flowing in each port.
 2: The average output current IOL(avg), IOH(avg) are average value measured over 100 ms.
 3: When the oscillation frequency has a duty cycle of 50%.

Table 14 Electrical characteristics

(VCC = 2.7 to 5.5 V, VSS = 0 V, Ta = -20 to 85 °C, unless otherwise noted)

| Symbol | Parameter | Test conditions | Limits | | | Unit |
|------------------|---|----------------------------------|---------|------|------|------|
| | | | Min. | Typ. | Max. | |
| VOH | "H" output voltage P00-P07, P10-P17, P20, P21, P24-P27, P30-P34, P40-P44 (Note) | IOH = -10 mA VCC = 4.0-5.5 V | VCC-2.0 | | | V |
| | | IOH = -1.0 mA VCC = 2.7-5.5 V | VCC-1.0 | | | V |
| VOL | "L" output voltage P00-P07, P10-P12, P20-P27 P30-P34, P40-P44 | IOL = 10 mA VCC = 4.0-5.5 V | | | 2.0 | V |
| | | IOL = 1.0 mA VCC = 2.7-5.5 V | | | 1.0 | V |
| VOL | "L" output voltage P13-P17 | IOL = 20 mA VCC = 4.0-5.5 V | | | 2.0 | V |
| | | IOL = 10 mA VCC = 2.7-5.5 V | | | 1.0 | V |
| VT+-VT- | Hysteresis CNTR0, CNTR1, INT0-INT3 | | | 0.4 | | V |
| VT+-VT- | Hysteresis RXD, SCLK, SDA1, SDA2, SCL1, SCL2 | | | 0.5 | | V |
| VT+-VT- | Hysteresis $\overline{\text{RESET}}$ | | | 0.5 | | V |
| IiH | "H" input current P00-P07, P10-P17, P20, P21, P24-P27, P30-P34, P40-P44 | Vi = VCC | | | 5.0 | μA |
| IiH | "H" input current $\overline{\text{RESET}}$, CNVSS | Vi = VCC | | | 5.0 | μA |
| IiH | "H" input current XIN | Vi = VCC | | 4 | | μA |
| IiL | "L" input current P00-P07, P10-P17, P20-P27 P30-P34, P40-P44 | Vi = VSS | | | -5.0 | μA |
| IiL | "L" input current $\overline{\text{RESET}}$, CNVSS | Vi = VSS | | | -5.0 | μA |
| IiL | "L" input current XIN | Vi = VSS | | -4 | | μA |
| V _{RAM} | RAM hold voltage | When clock stopped | 2.0 | | 5.5 | V |

Note: P25 is measured when the P25/TxD P-channel output disable bit of the UART control register (bit 4 of address 001B16) is "0".

Table 15 Electrical characteristics

(VCC = 2.7 to 5.5 V, VSS = 0 V, Ta = -20 to 85 °C, unless otherwise noted)

| Symbol | Parameter | Test conditions | Limits | | | Unit | |
|--------|----------------------|---|------------|------|------|------|----|
| | | | Min. | Typ. | Max. | | |
| ICC | Power source current | High-speed mode f(XIN) = 8 MHz f(XCIN) = 32.768 kHz Output transistors "off" | | 6.8 | 13 | mA | |
| | | High-speed mode f(XIN) = 8 MHz (in WIT state) f(XCIN) = 32.768 kHz Output transistors "off" | | 1.6 | | mA | |
| | | Low-speed mode f(XIN) = stopped f(XCIN) = 32.768 kHz Output transistors "off" | | 60 | 200 | μA | |
| | | Low-speed mode f(XIN) = stopped f(XCIN) = 32.768 kHz (in WIT state) Output transistors "off" | | 20 | 40 | μA | |
| | | Low-speed mode (VCC = 3 V) f(XIN) = stopped f(XCIN) = 32.768 kHz Output transistors "off" | | 20 | 55 | μA | |
| | | Low-speed mode (VCC = 3 V) f(XIN) = stopped f(XCIN) = 32.768 kHz (in WIT state) Output transistors "off" | | 5.0 | 10.0 | μA | |
| | | Middle-speed mode f(XIN) = 8 MHz f(XCIN) = stopped Output transistors "off" | | 4.0 | 7.0 | mA | |
| | | Middle-speed mode f(XIN) = 8 MHz (in WIT state) f(XCIN) = stopped Output transistors "off" | | 1.5 | | mA | |
| | | Increment when A-D conversion is executed f(XIN) = 8 MHz | | 800 | | μA | |
| | | All oscillation stopped (in STP state) Output transistors "off" | Ta = 25 °C | | 0.1 | 1.0 | μA |
| | | | Ta = 85 °C | | | 10 | μA |

Table 16 A-D converter characteristics

(VCC = 2.7 to 5.5 V, VSS = AVSS = 0 V, Ta = -20 to 85 °C, f(XIN) = 8 MHz, unless otherwise noted)

| Symbol | Parameter | Test conditions | Limits | | | Unit |
|--------------------|--|--------------------------|--------|------|------|-------|
| | | | Min. | Typ. | Max. | |
| – | Resolution | | | | 10 | bit |
| – | Absolute accuracy (excluding quantization error) | | | | ±4 | LSB |
| tCONV | Conversion time | | | | 61 | tc(φ) |
| RLADDER | Ladder resistor | | | 35 | | kΩ |
| I _{VREF} | Reference power source input current | V _{REF} = 5.0 V | 50 | 150 | 200 | μA |
| I _{I(AD)} | A-D port input current | | | 0.5 | 5.0 | μA |

TIMING REQUIREMENTS

Table 17 Timing requirements (1)

(V_{CC} = 4.0 to 5.5 V, V_{SS} = 0 V, T_a = -20 to 85 °C, unless otherwise noted)

| Symbol | Parameter | Limits | | | Unit |
|--|--|--------|------|------|------|
| | | Min. | Typ. | Max. | |
| t _w ($\overline{\text{RESET}}$) | Reset input "L" pulse width | 2 | | | μs |
| t _c (X _{IN}) | External clock input cycle time | 125 | | | ns |
| t _{WH} (X _{IN}) | External clock input "H" pulse width | 50 | | | ns |
| t _{WL} (X _{IN}) | External clock input "L" pulse width | 50 | | | ns |
| t _c (CNTR) | CNTR ₀ , CNTR ₁ input cycle time | 200 | | | ns |
| t _{WH} (CNTR) | CNTR ₀ , CNTR ₁ , INT ₀ –INT ₃ input "H" pulse width | 80 | | | ns |
| t _{WL} (CNTR) | CNTR ₀ , CNTR ₁ , INT ₀ –INT ₃ input "L" pulse width | 80 | | | ns |
| t _c (SCLK) | Serial I/O clock input cycle time (Note) | 800 | | | ns |
| t _{WH} (SCLK) | Serial I/O clock input "H" pulse width (Note) | 370 | | | ns |
| t _{WL} (SCLK) | Serial I/O clock input "L" pulse width (Note) | 370 | | | ns |
| t _{su} (RxD-SCLK) | Serial I/O input setup time | 220 | | | ns |
| t _h (SCLK-RxD) | Serial I/O input hold time | 100 | | | ns |

Note : When f(X_{IN}) = 8 MHz and bit 6 of address 001A₁₆ is "1" (clock synchronous).
Divide this value by four when f(X_{IN}) = 8 MHz and bit 6 of address 001A₁₆ is "0" (UART).

Table 18 Timing requirements (2)

(V_{CC} = 2.7 to 4.0 V, V_{SS} = 0 V, T_a = -20 to 85 °C, unless otherwise noted)

| Symbol | Parameter | Limits | | | Unit |
|--|--|--------|------|------|------|
| | | Min. | Typ. | Max. | |
| t _w ($\overline{\text{RESET}}$) | Reset input "L" pulse width | 2 | | | μs |
| t _c (X _{IN}) | External clock input cycle time | 250 | | | ns |
| t _{WH} (X _{IN}) | External clock input "H" pulse width | 100 | | | ns |
| t _{WL} (X _{IN}) | External clock input "L" pulse width | 100 | | | ns |
| t _c (CNTR) | CNTR ₀ , CNTR ₁ input cycle time | 500 | | | ns |
| t _{WH} (CNTR) | CNTR ₀ , CNTR ₁ , INT ₀ –INT ₃ input "H" pulse width | 230 | | | ns |
| t _{WL} (CNTR) | CNTR ₀ , CNTR ₁ , INT ₀ –INT ₃ input "L" pulse width | 230 | | | ns |
| t _c (SCLK) | Serial I/O clock input cycle time (Note) | 2000 | | | ns |
| t _{WH} (SCLK) | Serial I/O clock input "H" pulse width (Note) | 950 | | | ns |
| t _{WL} (SCLK) | Serial I/O clock input "L" pulse width (Note) | 950 | | | ns |
| t _{su} (RxD-SCLK) | Serial I/O input setup time | 400 | | | ns |
| t _h (SCLK-RxD) | Serial I/O input hold time | 200 | | | ns |

Note : When f(X_{IN}) = 8 MHz and bit 6 of address 001A₁₆ is "1" (clock synchronous).
Divide this value by four when f(X_{IN}) = 8 MHz and bit 6 of address 001A₁₆ is "0" (UART).

Table 19 Switching characteristics 1

(V_{CC} = 4.0 to 5.5 V, V_{SS} = 0 V, T_a = -20 to 85 °C, unless otherwise noted)

| Symbol | Parameter | Limits | | | Unit |
|---------------------------|---|----------------------------|------|------|------|
| | | Min. | Typ. | Max. | |
| t _{WH} (SCLK) | Serial I/O clock output "H" pulse width | t _c (SCLK)/2-30 | | | ns |
| t _{WL} (SCLK) | Serial I/O clock output "L" pulse width | t _c (SCLK)/2-30 | | | ns |
| t _d (SCLK-TxD) | Serial I/O output delay time (Note 1) | | | 140 | ns |
| t _v (SCLK-TxD) | Serial I/O output valid time (Note 1) | -30 | | | ns |
| t _r (SCLK) | Serial I/O clock output rising time | | | 30 | ns |
| t _f (SCLK) | Serial I/O clock output falling time | | | 30 | ns |
| t _r (CMOS) | CMOS output rising time (Note 2) | | 10 | 30 | ns |
| t _f (CMOS) | CMOS output falling time (Note 2) | | 10 | 30 | ns |

Notes 1: For t_{WH}(SCLK), t_{WL}(SCLK), when the P51/TxD P-channel output disable bit of the UART control register (bit 4 of address 001B16) is "0".
 2: The XOUT pin is excluded.

Table 20 Switching characteristics 2

(V_{CC} = 2.7 to 4.0 V, V_{SS} = 0 V, T_a = -20 to 85 °C, unless otherwise noted)

| Symbol | Parameter | Limits | | | Unit |
|---------------------------|---|----------------------------|------|------|------|
| | | Min. | Typ. | Max. | |
| t _{WH} (SCLK) | Serial I/O clock output "H" pulse width | t _c (SCLK)/2-50 | | | ns |
| t _{WL} (SCLK) | Serial I/O clock output "L" pulse width | t _c (SCLK)/2-50 | | | ns |
| t _d (SCLK-TxD) | Serial I/O output delay time (Note 1) | | | 350 | ns |
| t _v (SCLK-TxD) | Serial I/O output valid time (Note 1) | -30 | | | ns |
| t _r (SCLK) | Serial I/O clock output rising time | | | 50 | ns |
| t _f (SCLK) | Serial I/O clock output falling time | | | 50 | ns |
| t _r (CMOS) | CMOS output rising time (Note 2) | | 20 | 50 | ns |
| t _f (CMOS) | CMOS output falling time (Note 2) | | 20 | 50 | ns |

Notes 1: For t_{WH}(SCLK), t_{WL}(SCLK), when the P51/TxD P-channel output disable bit of the UART control register (bit 4 of address 001B16) is "0".
 2: The XOUT pin is excluded.

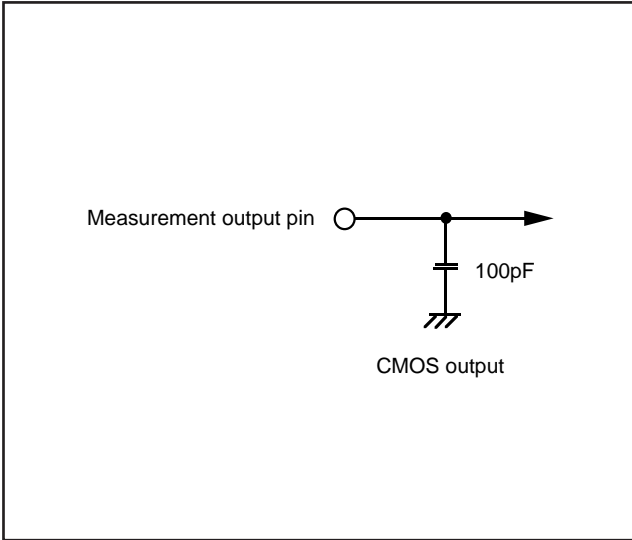


Fig. 50 Circuit for measuring output switching characteristics (1)

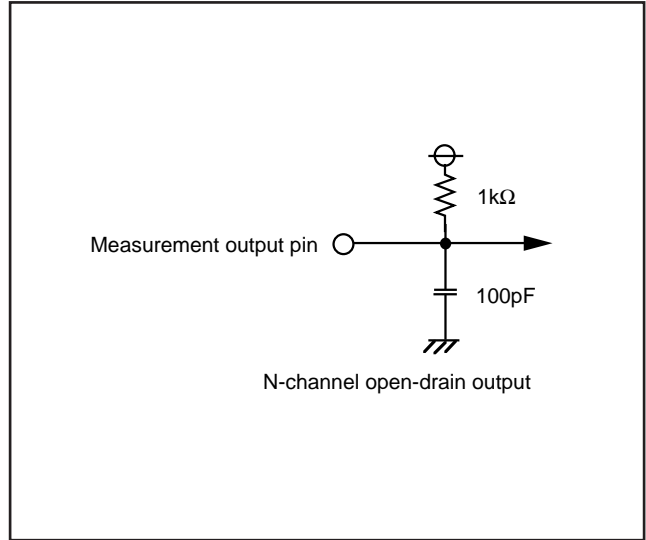


Fig. 51 Circuit for measuring output switching characteristics (2)

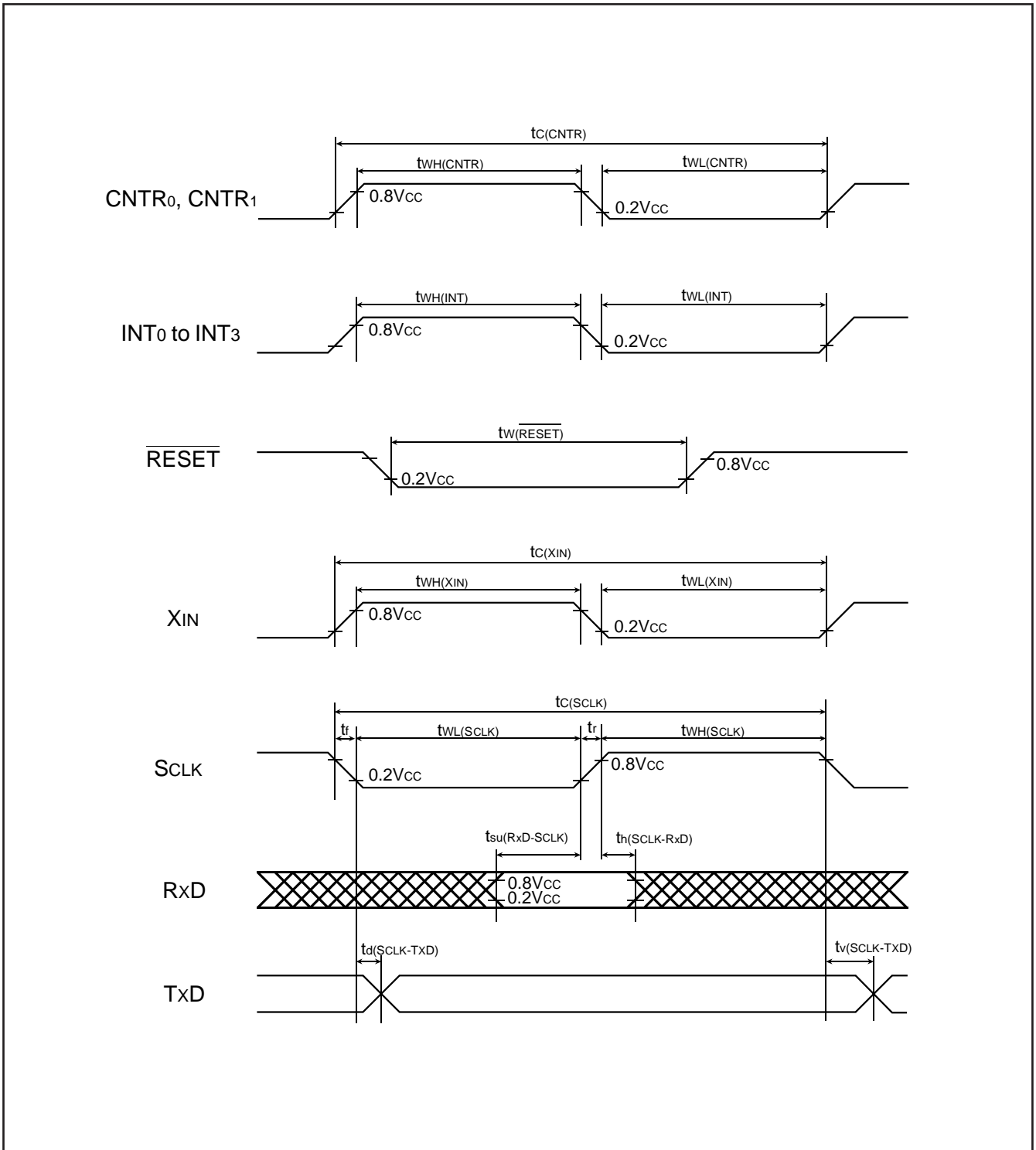


Fig. 52 Timing diagram

MULTI-MASTER I²C-BUS BUS LINE CHARACTERISTICS

Table 21 Multi-master I²C-BUS bus line characteristics

| Symbol | Parameter | Standard clock mode | | High-speed clock mode | | Unit |
|---------|--|---------------------|------|-----------------------|------|------|
| | | Min. | Max. | Min. | Max. | |
| tBUF | Bus free time | 4.7 | | 1.3 | | μs |
| tHD;STA | Hold time for START condition | 4.0 | | 0.6 | | μs |
| tLOW | Hold time for SCL clock = "0" | 4.7 | | 1.3 | | μs |
| tR | Rising time of both SCL and SDA signals | | 1000 | 20+0.1Cb | 300 | ns |
| tHD;DAT | Data hold time | 0 | | 0 | 0.9 | μs |
| tHIGH | Hold time for SCL clock = "1" | 4.0 | | 0.6 | | μs |
| tF | Falling time of both SCL and SDA signals | | 300 | 20+0.1Cb | 300 | ns |
| tSU;DAT | Data setup time | 250 | | 100 | | ns |
| tSU;STA | Setup time for repeated START condition | 4.7 | | 0.6 | | μs |
| tSU;STO | Setup time for STOP condition | 4.0 | | 0.6 | | μs |

Note: C_b = total capacitance of 1 bus line

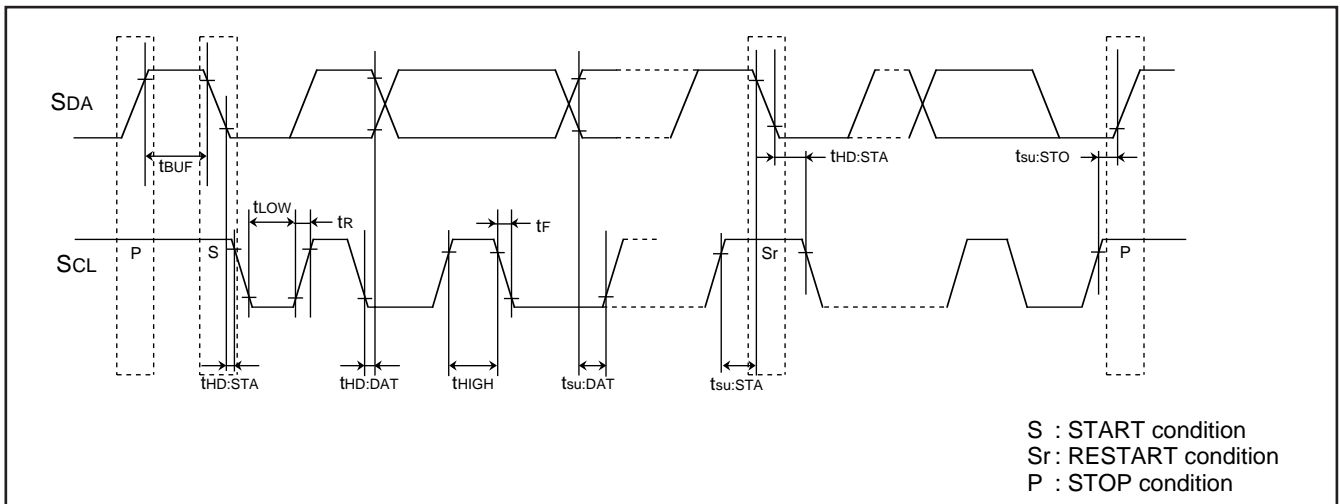


Fig. 53 Timing diagram of multi-master I²C-BUS

MASK ROM CONFIRMATION FORM

GZZ-SH52-61B<83A0>

| | |
|-----------------|--|
| Mask ROM number | |
|-----------------|--|

**740 FAMILY MASK ROM CONFIRMATION FORM
SINGLE-CHIP MICROCOMPUTER M38513M4-XXXSP/FP
MITSUBISHI ELECTRIC**

| | | |
|---------|------------------------|----------------------|
| Receipt | Date: | |
| | Section head signature | Supervisor signature |
| | | |

Note : Please fill in all items marked *.

| | | | | | |
|------------|--------------|---------|--------------------|--------------|------------|
| * Customer | Company name | TEL () | Issuance signature | Submitted by | Supervisor |
| | Date issued | Date: | | | |

* 1. Confirmation

Specify the name of the product being ordered and the type of EPROMs submitted.
Three EPROMs are required for each pattern.

If at least two of the three sets of EPROMs submitted contain identical data, we will produce masks based on this data. We shall assume the responsibility for errors only if the mask ROM data on the products we produce differs from this data. Thus, extreme care must be taken to verify the data in the submitted EPROMs.

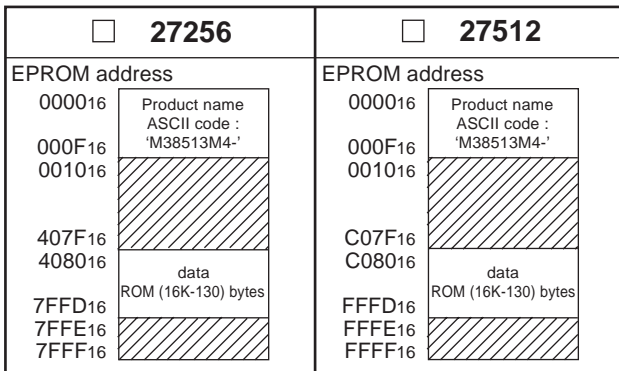
Microcomputer name: M38513M4-XXXSP M38513M4-XXXFP

Checksum code for entire EPROM

| | | | |
|--|--|--|--|
| | | | |
|--|--|--|--|

 (hexadecimal notation)

EPROM type (indicate the type used)



In the address space of the microcomputer, the internal ROM area is from address C080₁₆ to FFFD₁₆. The reset vector is stored in addresses FFFC₁₆ and FFFD₁₆.

- (1) Set the data in the unused area (the shaded area of the diagram) to "FF₁₆".
- (2) The ASCII codes of the product name "M38513M4-" must be entered in addresses 0000₁₆ to 0008₁₆. And set the data "FF₁₆" in addresses 0009₁₆ to 000F₁₆. The ASCII codes and addresses are listed to the right in hexadecimal notation.

| | | |
|--------------------|------------------------|------------------------|
| Address | | Address |
| 0000 ₁₆ | 'M' = 4D ₁₆ | 0008 ₁₆ |
| 0001 ₁₆ | '3' = 33 ₁₆ | '_' = 2D ₁₆ |
| 0002 ₁₆ | '8' = 38 ₁₆ | 0009 ₁₆ |
| 0003 ₁₆ | '5' = 35 ₁₆ | 000A ₁₆ |
| 0004 ₁₆ | '1' = 31 ₁₆ | 000B ₁₆ |
| 0005 ₁₆ | '3' = 33 ₁₆ | 000C ₁₆ |
| 0006 ₁₆ | 'M' = 4D ₁₆ | 000D ₁₆ |
| 0007 ₁₆ | '4' = 34 ₁₆ | 000E ₁₆ |
| | | 000F ₁₆ |

GZZ-SH52-61B<83A0>

| | |
|-----------------|--|
| Mask ROM number | |
|-----------------|--|

740 FAMILY MASK ROM CONFIRMATION FORM
SINGLE-CHIP MICROCOMPUTER M38513M4-XXXSP/FP
MITSUBISHI ELECTRIC

We recommend the use of the following pseudo-command to set the start address of the assembler source program because ASCII codes of the product name are written to addresses 0000₁₆ to 0008₁₆ of EPROM.

| EPROM type | 27256 | 27512 |
|--------------------|---------------------------------|---------------------------------|
| The pseudo-command | *=△\$8000 .BYTE △'M38513M4-' | *=△\$0000 .BYTE △'M38513M4-' |

Note : If the name of the product written to the EPROMs does not match the name of the mask confirmation form, the ROM will not be processed.

※ 2. Mark specification

Mark specification must be submitted using the correct form for the package being ordered. Fill out the appropriate mark specification form (42P4B for M38513M4-XXXSP, 42P2R for M38513M4-XXXFP) and attach it to the mask ROM confirmation form.

※ 3. Usage conditions

Please answer the following questions about usage for use in our product inspection :

(1) How will you use the XIN-XOUT oscillator?

- Ceramic resonator Quartz crystal
 External clock input Other ()

At what frequency? f(XIN) = MHz

(2) Which function will you use the pins P21/XCIN and P20/XCOUT as P21 and P20, or XCIN and XCOUT ?

- Ports P21 and P20 function XCIN and XCOUT function (external resonator)

(3) Will you use the I²C-BUS function or the SM-BUS function ?

- I²C-BUS function used SM-BUS function used
 Not used

※ 4. Comments

ROM PROGRAMMING CONFIRMATION FORM

GZZ-SH11-43A<6YB0>

| | |
|------------|--|
| ROM number | |
|------------|--|

740 FAMILY ROM PROGRAMMING CONFIRMATION FORM
SINGLE-CHIP MICROCOMPUTER M38513E4-XXXSP/FP
MITSUBISHI ELECTRIC

| | | |
|---------|------------------------|----------------------|
| Receipt | Date: | |
| | Section head signature | Supervisor signature |
| | | |

Note : Please fill in all items marked *

| | | | | | | |
|---|----------|--------------|---------|--------------------|--------------|------------|
| * | Customer | Company name | TEL () | Issuance signature | Submitted by | Supervisor |
| | | Date issued | Date: | | | |

* 1. Confirmation

Specify the name of the product being ordered and the type of EPROMs submitted.

Three EPROMs are required for each pattern.

If at least two of the three sets of EPROMs submitted contain identical data, we will produce ROM programming based on this data. We shall assume the responsibility for errors only if the programming data on the products we produce differs from this data. Thus, extreme care must be taken to verify the data in the submitted EPROMs.

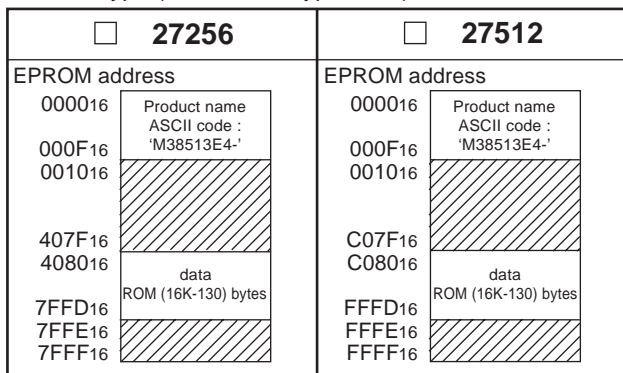
Microcomputer name: M38513E4-XXXSP M38513E4-XXXFP

Checksum code for entire EPROM

| | | | |
|--|--|--|--|
| | | | |
|--|--|--|--|

 (hexadecimal notation)

EPROM type (indicate the type used)



In the address space of the microcomputer, the internal ROM area is from address C080₁₆ to FFFD₁₆. The reset vector is stored in addresses FFFC₁₆ and FFFD₁₆.

- (1) Set the data in the unused area (the shaded area of the diagram) to "FF₁₆".
- (2) The ASCII codes of the product name "M38513E4-" must be entered in addresses 0000₁₆ to 0008₁₆. And set the data "FF₁₆" in addresses 0009₁₆ to 000F₁₆. The ASCII codes and addresses are listed to the right in hexadecimal notation.

| | | | |
|--------------------|------------------------|--------------------|------------------------|
| Address | | Address | |
| 0000 ₁₆ | 'M' = 4D ₁₆ | 0008 ₁₆ | '-' = 2D ₁₆ |
| 0001 ₁₆ | '3' = 33 ₁₆ | 0009 ₁₆ | FF ₁₆ |
| 0002 ₁₆ | '8' = 38 ₁₆ | 000A ₁₆ | FF ₁₆ |
| 0003 ₁₆ | '5' = 35 ₁₆ | 000B ₁₆ | FF ₁₆ |
| 0004 ₁₆ | '1' = 31 ₁₆ | 000C ₁₆ | FF ₁₆ |
| 0005 ₁₆ | '3' = 33 ₁₆ | 000D ₁₆ | FF ₁₆ |
| 0006 ₁₆ | 'E' = 45 ₁₆ | 000E ₁₆ | FF ₁₆ |
| 0007 ₁₆ | '4' = 34 ₁₆ | 000F ₁₆ | FF ₁₆ |

GZZ-SH11-43A<6YB0>

| | |
|------------|--|
| ROM number | |
|------------|--|

740 FAMILY ROM PROGRAMMING CONFIRMATION FORM
SINGLE-CHIP MICROCOMPUTER M38513E4-XXXSP/FP
MITSUBISHI ELECTRIC

We recommend the use of the following pseudo-command to set the start address of the assembler source program because ASCII codes of the product name are written to addresses 0000₁₆ to 0008₁₆ of EPROM.

| EPROM type | 27256 | 27512 |
|--------------------|------------------------------------|------------------------------------|
| The pseudo-command | *= △ \$8000 .BYTE △ 'M38513E4-' | *= △ \$0000 .BYTE △ 'M38513E4-' |

Note : If the name of the product written to the EPROMs does not match the name of the ROM programming confirmation form, the ROM will not be processed.

※ 2. Mark specification

Mark specification must be submitted using the correct form for the package being ordered. Fill out the appropriate mark specification form; 42P2R for the M38513E4-XXXFP, the shrink DIP package Mark Specification Form (only for built-in One Time PROM microcomputer) for the M38513E4-XXXSP; and attach it to the ROM programming confirmation form.

※ 3. Usage conditions

Please answer the following questions about usage for use in our product inspection :

(1) How will you use the XIN-XOUT oscillator?

- Ceramic resonator Quartz crystal
 External clock input Other ()

At what frequency? f(XIN) = MHz

(2) Which function will you use the pins P21/XCIN and P20/XCOUT as P21 and P20, or XCIN and XCOUT ?

- Ports P21 and P20 function XCIN and XCOUT function (external resonator)

(3) Will you use the I²C-BUS function or the SM-BUS function ?

- I²C-BUS function used SM-BUS function used
 Not used

※ 4. Comments

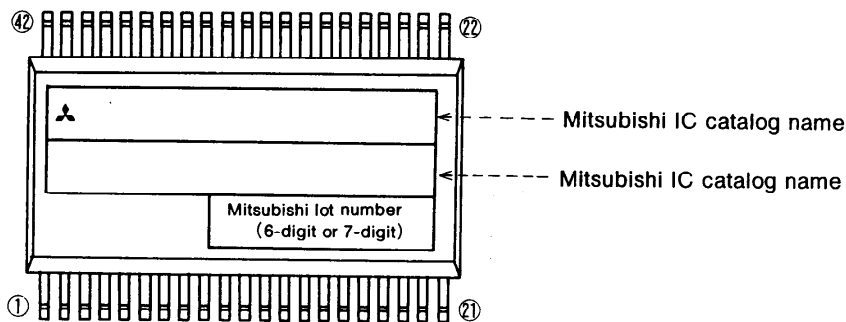
MARK SPECIFICATION FORM

42P2R-A (42-PIN SHRINK SOP) MARK SPECIFICATION FORM

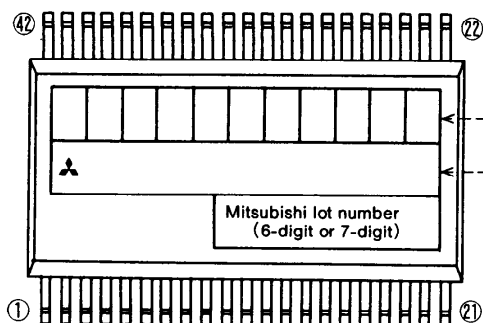
Mitsubishi IC catalog name

Please choose one of the marking types below (A, B, C), and enter the Mitsubishi catalog name and the special mark (if needed).

A. Standard Mitsubishi Mark



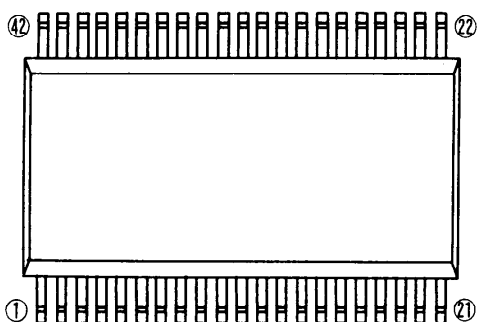
B. Customer's Parts Number + Mitsubishi catalog name



- Customer's Parts Number
- Note: The fonts and size of characters are standard Mitsubishi type.
- Mitsubishi IC catalog name
- Note1: The mark field should be written right aligned.
- 2: The fonts and size of characters are standard Mitsubishi type.
- 3: Customer's Parts Number can be up to 11 characters: Only 0~9, A~Z, +, -, /, (,), &, ©, · (periods), , (commas) are usable.
- 4: If the Mitsubishi logo is not required, check the box below.

Mitsubishi logo is not required

C. Special Mark Required



- Note1: If the Special Mark is to be printed, indicate the desired layout of the mark in the left figure. The layout will be duplicated as close as possible. Mitsubishi lot number (6-digit or 7-digit) and Mask ROM number (3-digit) are always marked.
- 2: If the customer's trade mark logo must be used in the Special Mark, check the box below. Please submit a clean original of the logo. For the new special character fonts a clean font original (ideally logo drawing) must be submitted.

Special logo required

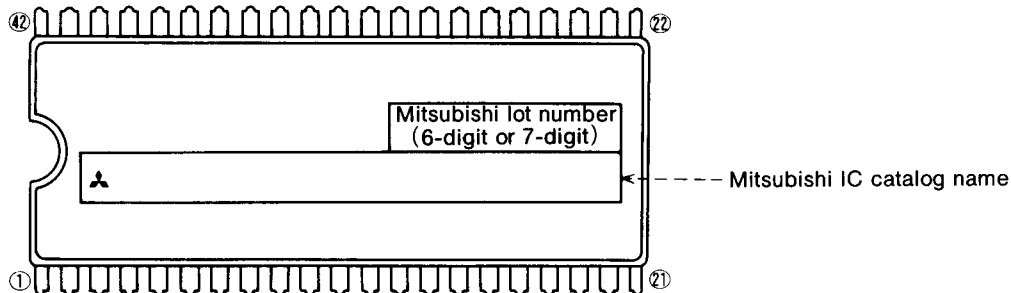
- 3: The standard Mitsubishi font is used for all characters except for a logo.

42P4B (42-PIN SHRINK DIP) MARK SPECIFICATION FORM

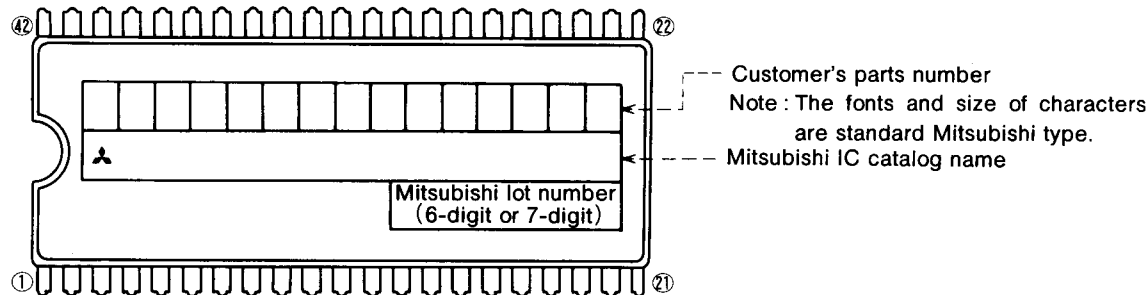
Mitsubishi IC catalog name

Please choose one of the marking types below (A, B, C), and enter the Mitsubishi IC catalog name and the special mark (if needed).

A. Standard Mitsubishi Mark



B. Customer's Parts Number + Mitsubishi Catalog Name



Note1: The mark field should be written right aligned.

2: The fonts and size of characters are standard Mitsubishi type.

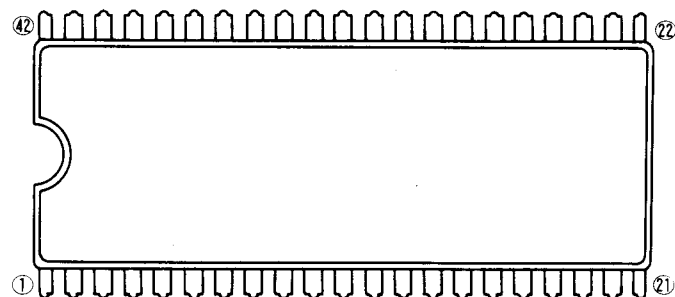
3: Customer's parts number can be up to 15 characters:

Only 0~9, A~Z, +, -, /, (,), &, ©, . (period), and , (comma) are usable.

4: If the Mitsubishi logo is not required, check the box on the right.

Mitsubishi logo is not required

C. Special Mark Required



Note1: If the special mark is to be printed, indicate the desired layout of the mark in the upper figure. The layout will be duplicated as close as possible. Mitsubishi lot number (6-digit or 7-digit) and mask ROM number (3-digit) are always marked.

2: If the customer's trade mark logo must be used in the special mark, check the box below. Please submit a clean original of the logo.

For the new special character fonts a clean font original (ideally logo drawing) must be submitted.

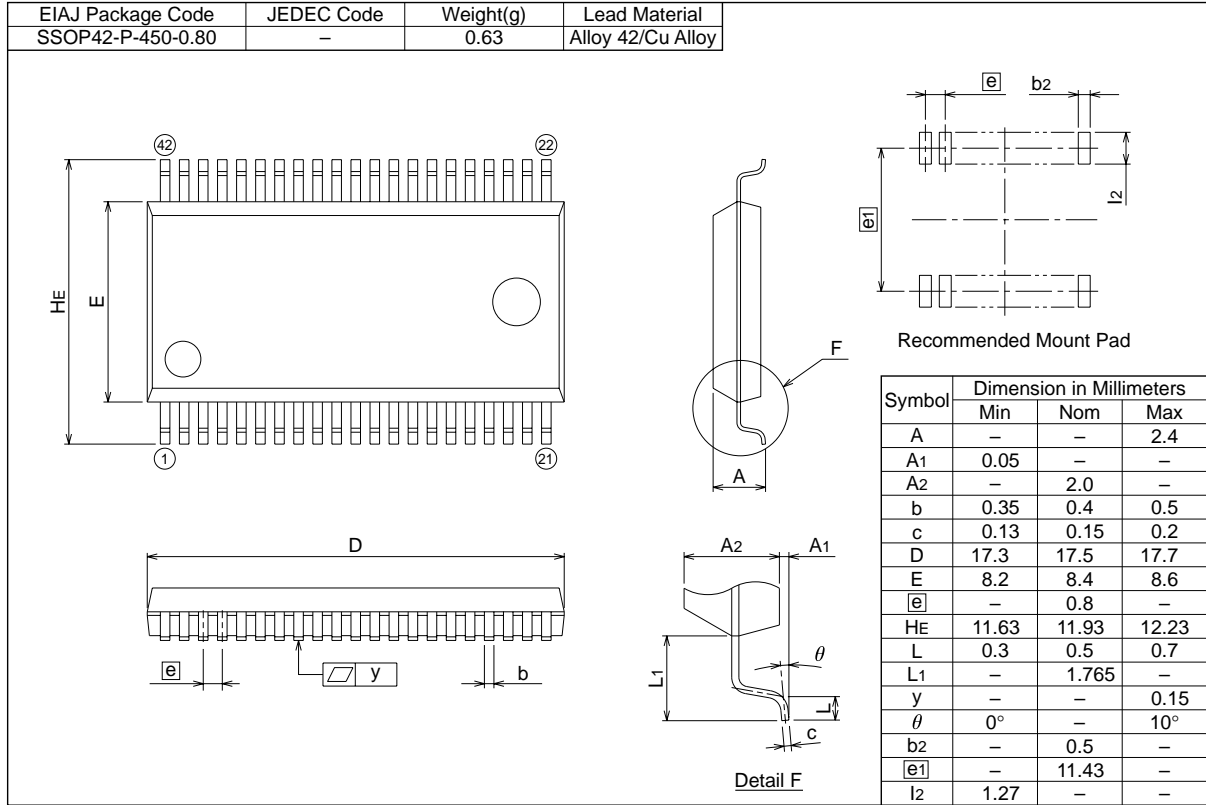
Special logo required

The standard Mitsubishi font is used for all characters except for a logo.

PACKAGE OUTLINE

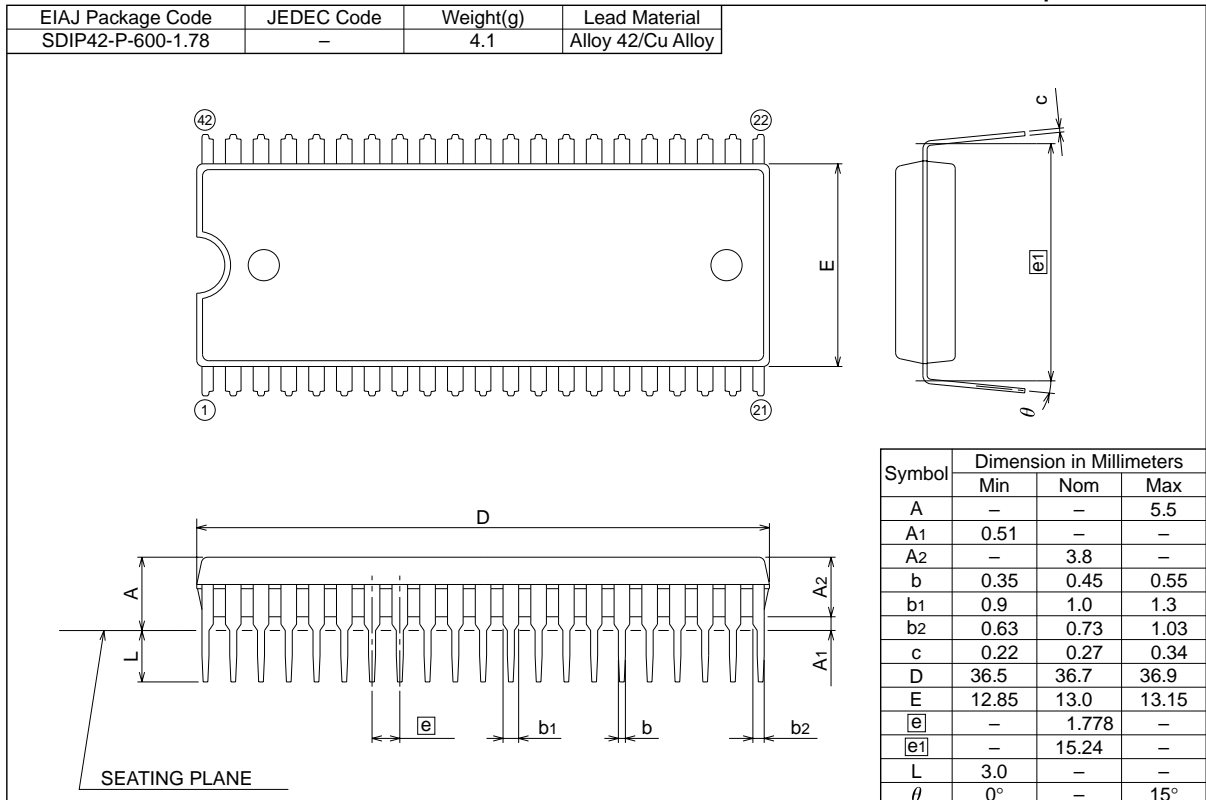
42P2R-A

Plastic 42pin 450mil SSOP



42P4B

Plastic 42pin 600mil SDIP



Keep safety first in your circuit designs!

- Mitsubishi Electric Corporation puts the maximum effort into making semiconductor products better and more reliable, but there is always the possibility that trouble may occur with them. Trouble with semiconductors may lead to personal injury, fire or property damage. Remember to give due consideration to safety when making your circuit designs, with appropriate measures such as (i) placement of substitutive, auxiliary circuits, (ii) use of non-flammable material or (iii) prevention against any malfunction or mishap.

Notes regarding these materials

- These materials are intended as a reference to assist our customers in the selection of the Mitsubishi semiconductor product best suited to the customer's application; they do not convey any license under any intellectual property rights, or any other rights, belonging to Mitsubishi Electric Corporation or a third party.
- Mitsubishi Electric Corporation assumes no responsibility for any damage, or infringement of any third-party's rights, originating in the use of any product data, diagrams, charts or circuit application examples contained in these materials.
- All information contained in these materials, including product data, diagrams and charts, represent information on products at the time of publication of these materials, and are subject to change by Mitsubishi Electric Corporation without notice due to product improvements or other reasons. It is therefore recommended that customers contact Mitsubishi Electric Corporation or an authorized Mitsubishi Semiconductor product distributor for the latest product information before purchasing a product listed herein.
- Mitsubishi Electric Corporation semiconductors are not designed or manufactured for use in a device or system that is used under circumstances in which human life is potentially at stake. Please contact Mitsubishi Electric Corporation or an authorized Mitsubishi Semiconductor product distributor when considering the use of a product contained herein for any specific purposes, such as apparatus or systems for transportation, vehicular, medical, aerospace, nuclear, or undersea repeater use.
- The prior written approval of Mitsubishi Electric Corporation is necessary to reprint or reproduce in whole or in part these materials.
- If these products or technologies are subject to the Japanese export control restrictions, they must be exported under a license from the Japanese government and cannot be imported into a country other than the approved destination.
Any diversion or reexport contrary to the export control laws and regulations of Japan and/or the country of destination is prohibited.
- Please contact Mitsubishi Electric Corporation or an authorized Mitsubishi Semiconductor product distributor for further details on these materials or the products contained therein.

REVISION DESCRIPTION LIST

3851 GROUP DATA SHEET

| Rev. No. | Revision Description | Rev. date |
|----------|----------------------|-----------|
| 1.0 | First Edition | 980515 |
| | | |