



**ELECTRONICS, INC.**  
 44 FARRAND STREET  
 BLOOMFIELD, NJ 07003  
 (973) 748-5089

## NTE1776 thru NTE1778 Integrated Circuit TV Fixed Voltage Regulator

**Features:**

- Triple Diffused Darlington Transistor Chips Incorporated
- Compact Plastic Package with Industry Standard Reliability
- Output Voltage is Pre-Fixed – No External Adjustment is Required

**Absolute Maximum Ratings:**

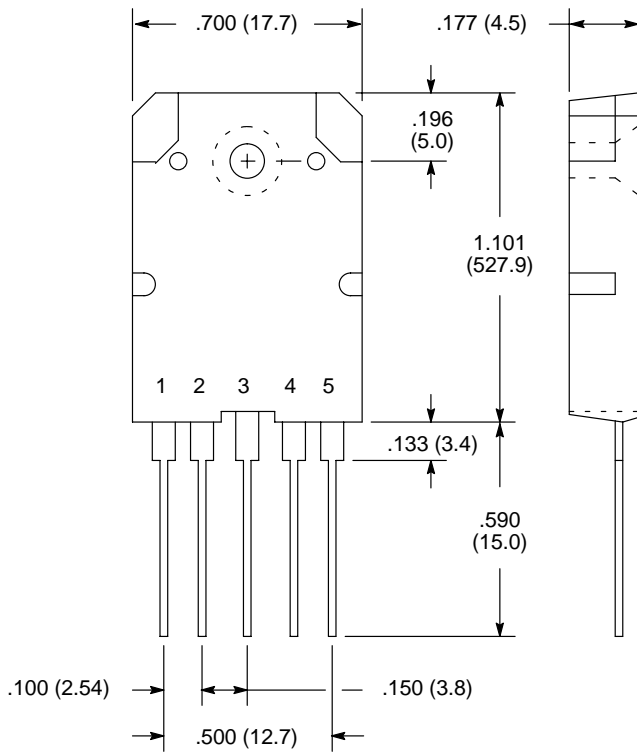
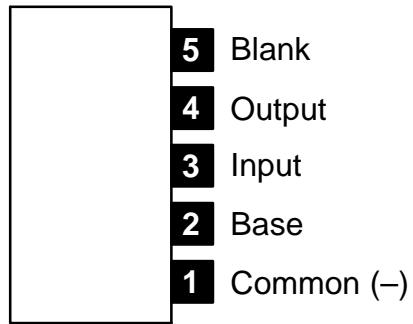
Peak Input Voltage,  $V_{IN}$  ..... 200V  
 Output Current,  $I_O$  ..... 1A  
 Power Dissipation ( $T_C = +100^\circ\text{C}$ ),  $P_D$  ..... 27W  
 Maximum Power Transistor Junction Temperature,  $T_J$  .....  $+150^\circ\text{C}$   
 Operating Temperature Range ( $T_C$ ),  $T_{opr}$  .....  $-20^\circ$  to  $+125^\circ\text{C}$   
 Storage Temperature Range,  $T_{stg}$  .....  $-30^\circ$  to  $+125^\circ\text{C}$

**Electrical Characteristics:** ( $T_A = +25^\circ\text{C}$  unless otherwise specified)

Parameter	Symbol	Test Conditions	Min	Typ	Max	Unit
Output Voltage NTE1776	$V_{OUT}$	$V_{AC} = 161\text{V}, I_{In} = 7.2\text{mA}$	122.2	123.0	123.8	V
NTE1777			129.2	130.0	130.8	V
NTE1778			134.2	135.0	135.8	V
Load Regulation	$\Delta V_{LOAD}$	$I_O = 250\text{mA to } 500\text{mA}$	–	$\pm 0.8$	–	V
Output Voltage Temperature Coefficient		$V_{IN} = V_{AC}, I_O = 500\text{mA}, T_C = -20^\circ \text{ to } +100^\circ\text{C}$	–	$\pm 0$	–	mV/ $^\circ\text{C}$
Input–Output Saturation Voltage	$V_{CE(sat)}$	$I_C = 1\text{A}, I_B = 10\text{mA}$	–	–	1.5	V
Input–Output Voltage	$V_{CEO}$	$I_{CEO} = 10\text{mA}, I_B = 0$	200	–	–	V
DC Current Gain	$h_{FE}$	$I_C = 1\text{A}, V_{CE} = 4\text{V}$	1500	–	6500	
Power Transistor Thermal Resistance	$R_{thJC}$	Between Junction and Stem Upper Surface	–	1.8	–	$^\circ\text{C/W}$
Input–Output Cutoff Current	$I_{CEO}$	$V_{CE} = 200\text{V},$ Pin1, Pin2, and Pin5 Open	–	–	100	$\mu\text{A}$
Output–Base Reverse Current Capacity	$I_{EB(S/B)}$	$t = 65\text{msec}$ (Between Emitter–Base)		–	300	mA

Note 1. Recommended Case Temperature:  $T_{opr} = +100^\circ\text{C}$ .

**Pin Connection Diagram**  
(Front View)



OR

