

# MC44826

## PLL Tuning Circuit with I<sup>2</sup>C Bus

The MC44826 is a tuning circuit for TV and VCR tuner applications. It contains, on one chip, all the functions required for PLL control of a VCO. This integrated circuit also contains a high frequency prescaler and thus can handle frequencies up to 1.3 GHz. The circuit has a band decoder that provides the band switching signal for the mixer/oscillator circuit. The decoder is controlled by the buffer bits or independently by extra bits T<sub>6</sub> and T<sub>7</sub>.

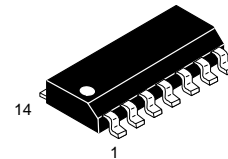
The MC44826 has a programmable 512/1024 reference divider and is manufactured on a single silicon chip using Motorola's high density bipolar process, MOSAIC™ (Motorola Oxide Self Aligned Implanted Circuits).

- Complete Single Chip System for MPU Control (I<sup>2</sup>C Bus)
- Divide-by-8 Prescaler Accepts Frequencies up to 1.3 GHz
- 15 Bit Programmable Divider
- Reference Divider: Programmable for Division Ratios 512 and 1024
- 3-State Phase/Frequency Comparator
- Operational Amplifier for Direct Tuning Voltage Output (30 V)
- Four Programmable Chip Addresses
- Integrated Band Decoder for the Mixer/Oscillator Circuit
- Band Buffers with Low "On" Voltage (0.4 V Maximum at 15 mA)
- Fully ESD Protected to MIL-STD-883C, Method 3015.7 (2000 V, 1.5 kΩ, 150 pF)

MOSAIC is a trademark of Motorola, Inc.

### TV AND VCR I<sup>2</sup>C PLL TUNING CIRCUIT WITH 1.3 GHz PRESCALER AND MIX/OSC DECODER

#### SEMICONDUCTOR TECHNICAL DATA

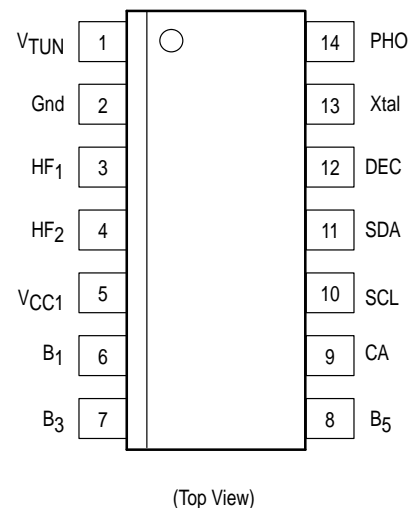


**D SUFFIX**  
PLASTIC PACKAGE  
CASE 751A  
(SO-14)

#### ORDERING INFORMATION

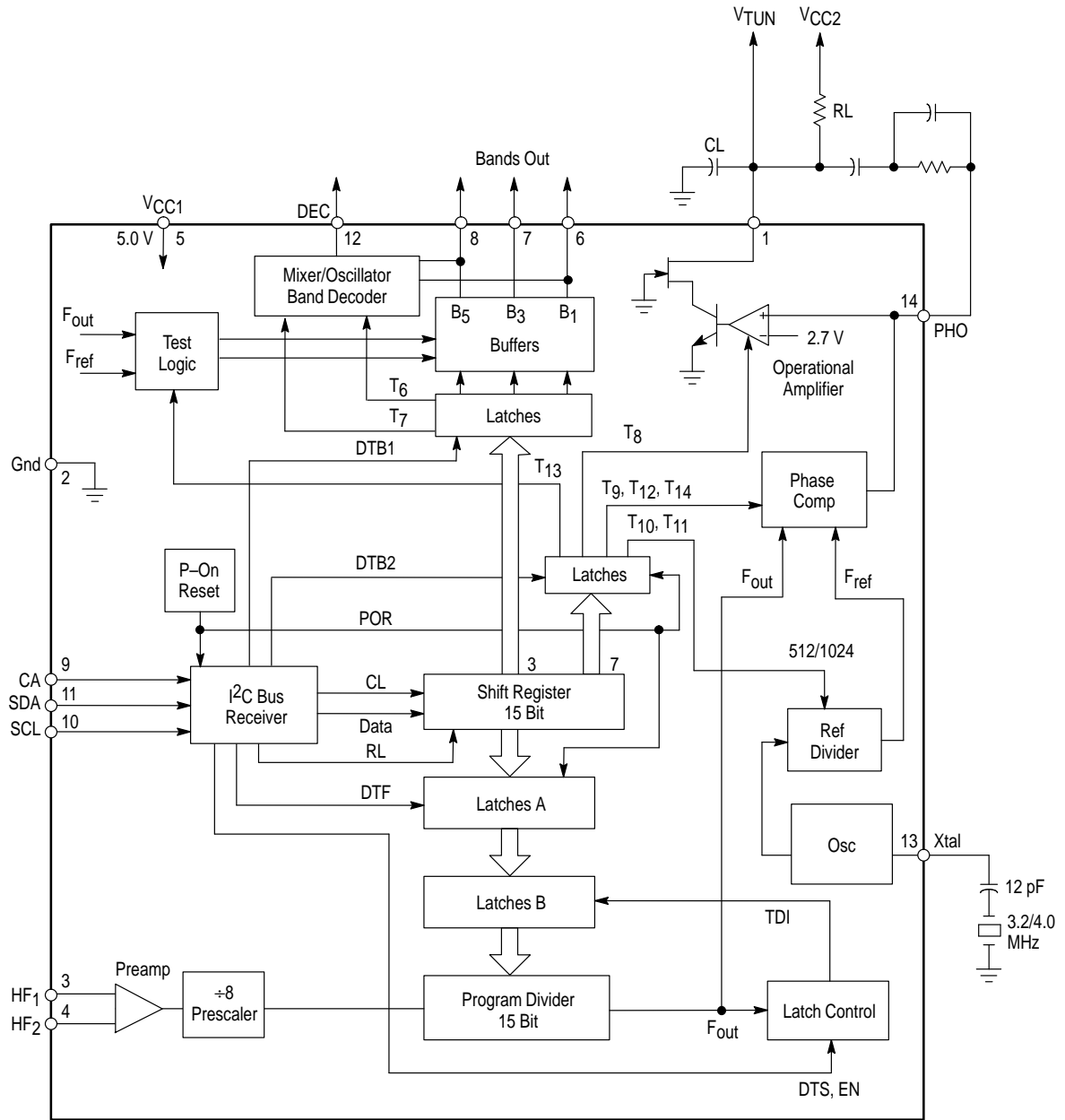
Device	Operating Temperature Range	Package
MC44826D	T <sub>A</sub> = -20° to +80°C	SO-14

#### PIN CONNECTIONS



# MC44826

## Representative Block Diagram



This device contains 3,204 active transistors.

### MAXIMUM RATINGS (T<sub>A</sub> = 25°C, unless otherwise noted.)

Rating	Pin	Value	Unit
Power Supply Voltage (V <sub>CC1</sub> )	5	6.0	V
Band Buffer "Off" Voltage	6, 7, 8	15	V
Band Buffer "On" Current	6, 7, 8	20	mA
Operational Amplifier Power Supply (V <sub>CC2</sub> )	1	40	V
RF Input Level 10 MHz to 1.3 GHz	3, 4	1.5	V <sub>rms</sub>
Storage Temperature	—	−65 to +150	°C
Operating Temperature Range	—	−20 to +80	°C
Bus Input Voltage (Positive)	10, 11	7	V
Bus Input Voltage (Negative)	10, 11	−0.5	V

# MC44826

## ELECTRICAL CHARACTERISTICS ( $V_{CC1} = 5.0\text{ V}$ , $V_{CC2} = 33\text{ V}$ , $T_A = 25^\circ\text{C}$ , unless otherwise noted.)

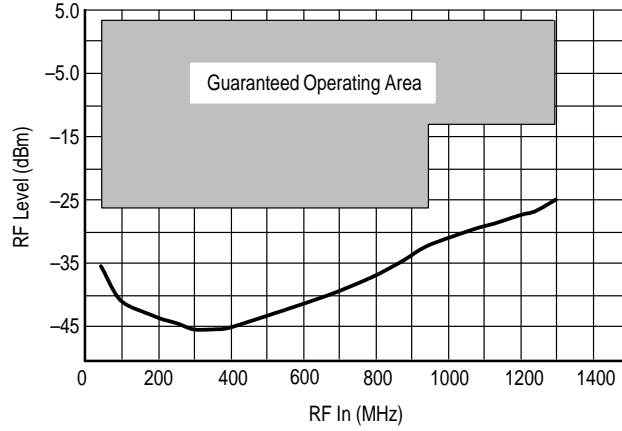
Characteristic	Pin	Min	Typ	Max	Unit
$V_{CC1}$ Supply Voltage Range	5	4.5	5.0	5.5	V
$V_{CC1}$ Supply Current ( $V_{CC1} = 5.0\text{ V}$ )	5	25	35	50	mA
Band Buffer Leakage Current when "Off" at 12 V	6, 7, 8	–	0.01	1.0	$\mu\text{A}$
Band Buffer Saturation Voltage when "On" at 15 mA	6, 7, 8	–	0.2	0.4	V
Data/Clock Current at 0 V (Acknowledge "Off")	10, 11	–10	–	0	$\mu\text{A}$
Data/Clock Current at 5.0 V (Acknowledge "Off")	10, 11	0	–	1.0	$\mu\text{A}$
Data/Clock Input Voltage Low	10, 11	–	–	1.5	V
Data/Clock Input Voltage High	10, 11	3.0	–	–	V
Data Saturation Voltage at 3.0 mA (Acknowledge "On")	11	–	0.25	0.4	V
Decoder "High" Level Sourcing 100 $\mu\text{A}$	12	3.4	–	$V_{CC1}$	V
Decoder "Medium" Level Sourcing 15 $\mu\text{A}$	12	1.7	–	2.3	V
Decoder "Low" Level Sinking 20 $\mu\text{A}$	12	0	–	0.8	V
Clock Frequency Range	10	–	–	100	kHz
Oscillator Frequency Range	13	3.15	3.2	4.05	MHz
Operational Amplifier Internal Reference Voltage	–	2.0	2.75	3.2	V
Operational Amplifier Input Current	14	–15	0	15	nA
DC Open Loop Gain ( $R_L = 22\text{ k}\Omega$ )	14, 1	100	250	1000	V/V
Gain Bandwidth Product ( $C_L = 0.5\text{ nF}$ )	14, 1	0.3	–	–	MHz
$V_{out}$ Low ( $R_L = 22\text{ k}\Omega$ )	1	–	0.25	0.4	V
Phase Detector Current in High Impedance State	14	–15	0	15	nA
Charge Pump Current of Phase Comparator ( $T_{14} = 0$ )	14	30	40	50	$\mu\text{A}$
Charge Pump Current of Phase Comparator ( $T_{14} = 1$ )	14	90	125	150	$\mu\text{A}$
$V_{CC2}$ Supply Voltage Range	1	25	33	36	V

## PIN FUNCTION DESCRIPTION

Pin	Function	Description
1	$V_{TUN}/V_{CC2}$	Output of the tuning voltage amplifier. Needs an external pull-up resistor to drive the varicaps
2	Gnd	Ground
3, 4	HF <sub>1</sub> / HF <sub>2</sub>	Symmetric HF inputs from local oscillator
5	$V_{CC1}$	Supply voltage. Typical 5.0 V
6, 7, 8	B <sub>1</sub> , B <sub>3</sub> , B <sub>5</sub>	Band buffer outputs
9	CA	Chip address selection pin
10	SCL	Clock input of the I <sup>2</sup> C bus
11	SDA	Data input
12	DEC	Band decoder output for the mixer/oscillator circuit
13	Xtal	Crystal input
14	PHO	Input of tuning voltage amplifier

# MC44826

**Figure 1. Typical Prescaler Input Sensitivity**

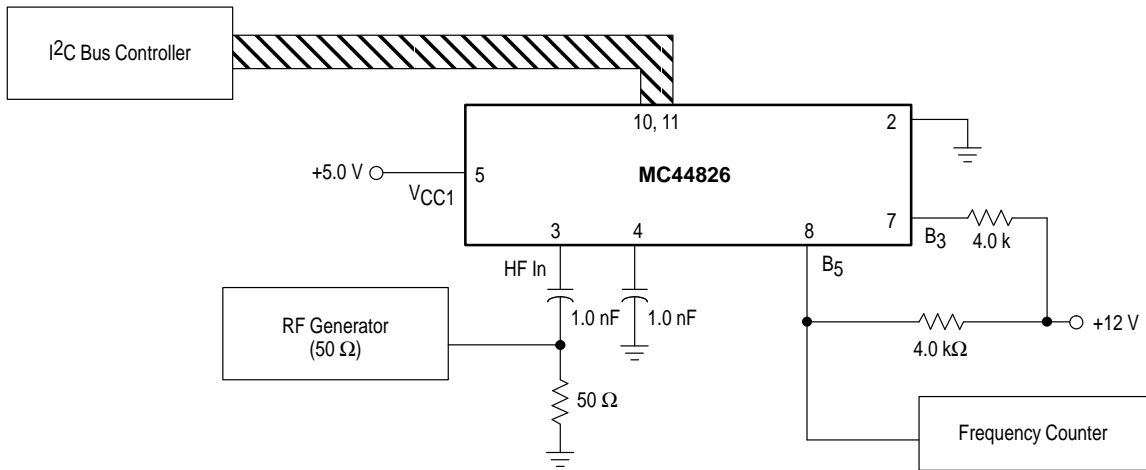


NOTE:  $V_{CC} = 4.5$  to  $5.5$  V,  $T_A = -20^\circ$  to  $+80^\circ$  C

**HF CHARACTERISTICS** (See Figure 1)

Characteristic	Pin	Min	Typ	Max	Unit
DC Bias	3, 4	–	1.6	–	V
Input Voltage Range					mVrms
50–950 MHz	3, 4	10	–	315	
950–1300 MHz	3, 4	50	–	315	

**Figure 2. RF Sensitivity Test Circuit**



Device is in test mode, B<sub>5</sub> and B<sub>3</sub> are "On", B<sub>1</sub> is "Off".  
Sensitivity is the level of the HF generator on 50 Ω load.

# MC44826

Figure 3. Typical HF Input Impedance

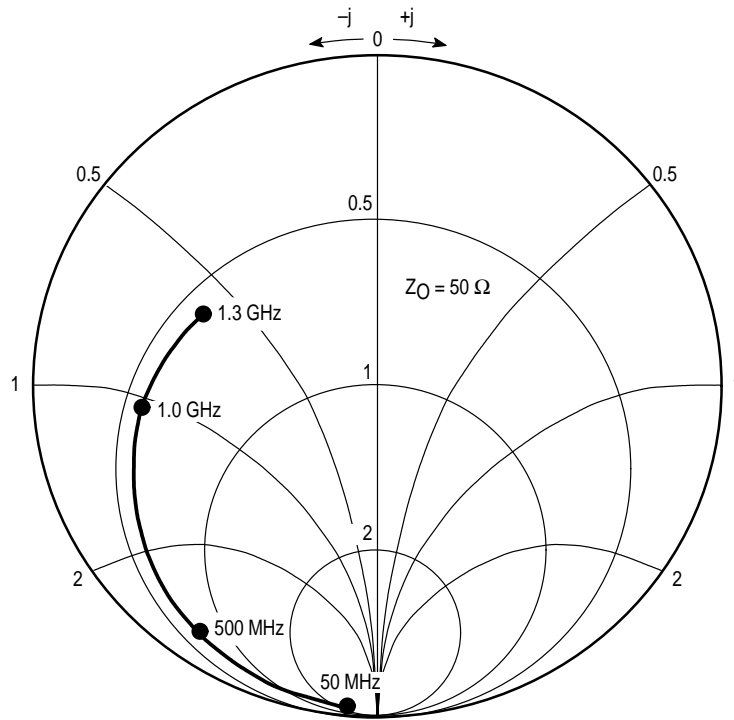
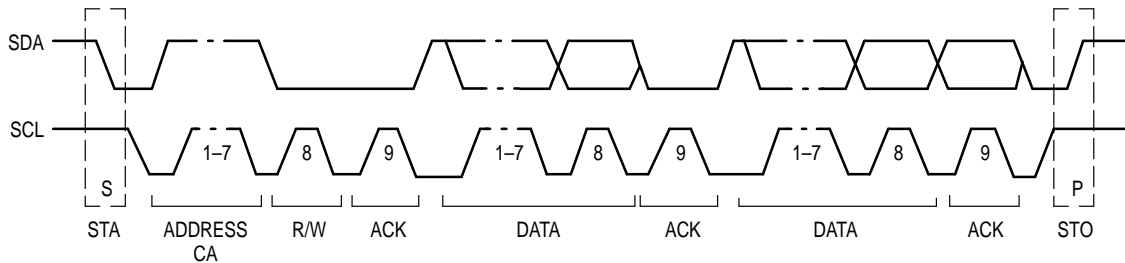


Figure 4. Complete Data Transfer Process



## Data Format and Bus Receiver

The circuit receives the information for tuning and control via the I<sup>2</sup>C bus. The incoming information, consisting of a chip address byte followed by two or four data bytes, is treated in the I<sup>2</sup>C bus receiver. The definition of the permissible bus protocol is shown below:

```

1_STA CA CO BA STO
2_STA CA FM FL STO
3_STA CA CO BA FM FL STO
4_STA CA FM FL CO BA STO
    
```

STA = Start Condition  
 STO = Stop Condition  
 CA = Chip Address Byte  
 CO = Data Byte for Control Information  
 BA = Band Information  
 FM = Data Byte for Frequency Information (MSB's)  
 FL = Data Byte for Frequency Information (LSB's)

Figure 5 shows the five bytes of information that are needed for circuit operation: there is the chip address, two

bytes of control and band information and two bytes of frequency information.

After the chip address, two or four data bytes may be received: if three data bytes are received the third data byte is ignored.

If five or more data bytes are received the fifth and following data bytes are ignored and the last acknowledge pulse is sent at the end of the fourth data byte.

The first and the third data bytes contain a function bit which allows the IC to distinguish between frequency information and control plus band information.

Frequency information is preceded by a Logic "0". If the function bit is Logic "1" the two following bytes contain control and band information. The first data byte, shifted after the chip address, may be byte CO or byte FM.

The two permissible bus protocols with five bytes are shown in Figure 5.

The Data and Clock inputs (Pins 10 and 11) are high impedance when the supply voltage V<sub>CC1</sub> is between 0 and 5.5 V.

# MC44826

## Chip Address

The chip address is programmable by Pin 9 (CA – Address Select).

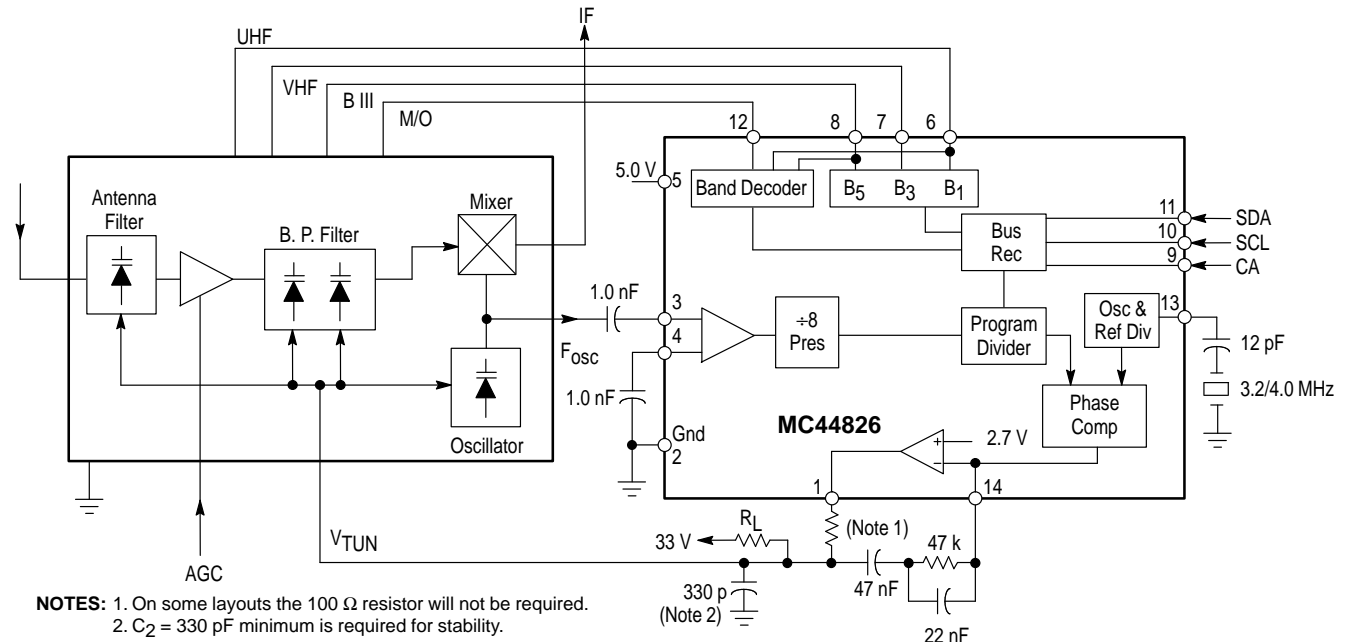
CA – Pin 9	Address (HEX.)
$-0.04 V_{CC1}$ to $0.1 V_{CC1}$	C6
Open or $0.2 V_{CC1}$ to $0.3 V_{CC1}$	C4
$0.42 V_{CC1}$ to $0.75 V_{CC1}$	C2
$0.9 V_{CC1}$ to $1.2 V_{CC1}$	C0

Figure 5. Definition of Bytes

CA_Chip Address	1	1	0	0	0	0/1	0/1	0	ACK
CO_Information	①	T <sub>14</sub>	T <sub>13</sub>	T <sub>12</sub>	T <sub>11</sub>	T <sub>10</sub>	T <sub>9</sub>	T <sub>8</sub>	ACK
BA_Band Information	T <sub>7</sub>	T <sub>6</sub>	B <sub>5</sub>	X	B <sub>3</sub>	X	B <sub>1</sub>	X	ACK
FM_Frequency Information	②	N <sub>14</sub>	N <sub>13</sub>	N <sub>12</sub>	N <sub>11</sub>	N <sub>10</sub>	N <sub>9</sub>	N <sub>8</sub>	ACK
FL_Frequency Information	N <sub>7</sub>	N <sub>6</sub>	N <sub>5</sub>	N <sub>4</sub>	N <sub>3</sub>	N <sub>2</sub>	N <sub>1</sub>	N <sub>0</sub>	ACK

CA_Chip Address	1	1	0	0	0	0/1	0/1	0	ACK
FM_Frequency Information	②	N <sub>14</sub>	N <sub>13</sub>	N <sub>12</sub>	N <sub>11</sub>	N <sub>10</sub>	N <sub>9</sub>	N <sub>8</sub>	ACK
FL_Frequency Information	N <sub>7</sub>	N <sub>6</sub>	N <sub>5</sub>	N <sub>4</sub>	N <sub>3</sub>	N <sub>2</sub>	N <sub>1</sub>	N <sub>0</sub>	ACK
CO_Information	①	T <sub>14</sub>	T <sub>13</sub>	T <sub>12</sub>	T <sub>11</sub>	T <sub>10</sub>	T <sub>9</sub>	T <sub>8</sub>	ACK
BA_Band Information	T <sub>7</sub>	T <sub>6</sub>	B <sub>5</sub>	X	B <sub>3</sub>	X	B <sub>1</sub>	X	ACK

Figure 6. Typical Tuner Application



**Bits B<sub>1</sub>, B<sub>3</sub>, B<sub>5</sub>: Control the Band Buffers**

B <sub>1</sub> , B <sub>3</sub> , B <sub>5</sub> = 0 = 1	Buffer "Off" Buffer "On"
---	-----------------------------

**Bit T<sub>8</sub>: Controls the Output of the Operational Amplifier**

T <sub>8</sub> = 0	Normal Operation Operational Amplifier Active
= 1	Output State of Operational Amplifier Switched "Off", Output Pulls High Through the External Pull-Up Resistor R <sub>L</sub>

**Bits T<sub>9</sub>, T<sub>12</sub>: Control the Phase Comparator**

T <sub>9</sub>	T <sub>12</sub>	Function
1	0	Normal Operation
1	1	High Impedance
0	0	Upper Source "On" Only
0	1	Lower Source "On" Only

**Bits T<sub>10</sub>, T<sub>11</sub>: Control the Reference Divider**

T <sub>10</sub>	T <sub>11</sub>	Division Ratio
0	0	512
0	1	1024
1	0	1024
1	1	512

**Bit T<sub>13</sub>: Switches the Internal Signals F<sub>ref</sub> and F<sub>BY2</sub> to the Band Buffer Outputs (Test)**

T <sub>13</sub> = 0	Normal Operation
= 1	Test Mode F <sub>ref</sub> Output at B <sub>3</sub> (Pin 7) F <sub>BY2</sub> Output at B <sub>5</sub> (Pin 8)

Bits B<sub>3</sub> and B<sub>5</sub> have to be "On", B<sub>3</sub> = B<sub>5</sub> = 1 in the test mode.  
F<sub>ref</sub> is the reference frequency.  
F<sub>BY2</sub> is the output frequency of the programmable divider, divided by two.

**Bit T<sub>14</sub>: Controls the Charge Pump Current of the Phase Comparator**

T <sub>14</sub> = 0	Pump Current 40 μA Typical
= 1	Normal Operation. Pump Current 125 μA Typical

**Bits T<sub>6</sub>, T<sub>7</sub>: Mixer/Oscillator Band Decoder**

The band decoder provides the band switching signal for the mixer/oscillator circuit. The buffer bits control the decoder output. The decoder can be controlled by the buffer bits or independently by the control bits T<sub>6</sub> and T<sub>7</sub> as per the tables below.

T <sub>7</sub>	T <sub>6</sub>	Decoder Output DEC
0	0	Decoder Output Controlled by Buffer Bits B <sub>1</sub> , B <sub>3</sub> , B <sub>5</sub>
0	1	0 to 0.8 V
1	0	1.8 to 2.1 V
1	1	3.4 V to V <sub>CC1</sub> (V <sub>CC1</sub> = 4.5 to 5.5 V)

B <sub>5</sub>	B <sub>3</sub>	B <sub>1</sub>	Decoder Output DEC
0	X	0	1.8 to 2.1 V
0	X	1	0 to 0.8 V
1	X	0	3.4 V to V <sub>CC1</sub> (V <sub>CC1</sub> = 4.5 to 5.5 V)
1	X	1	Undefined

**BA\_Band Information**

T <sub>7</sub>	T <sub>6</sub>	B <sub>5</sub>	X	B <sub>3</sub>	X	B <sub>1</sub>	X	ACK
----------------	----------------	----------------	---	----------------	---	----------------	---	-----

The band buffers are open collector buffers and are active "low" at B<sub>n</sub> = 1. They are designed for 15 mA with a typical "On" voltage of 200 mV. These buffers are designed to withstand relative high output voltage in the "Off" state.

B<sub>3</sub> and B<sub>5</sub> buffers may also be used to output internal IC signals (reference frequency and programmable divider output frequency divided by 2) for test purposes.

The bit B<sub>3</sub> and/or B<sub>5</sub> have to be one if the buffers are used for these additional functions.

**The Programmable Divider**

The programmable divider is a presettable down counter. When it has counted to zero it takes its required division ratio out of the latches B. Latches B are loaded from latches A by means of signal TDI which is synchronous to the programmable divider output signal.

Since latches A receive the data asynchronously with the programmable divider, this double latch scheme is needed to assure correct data transfer to the counter.

The division ratio definition is given by:

$$N = 16384 \times N_{14} + 8192 \times N_{13} + \dots + 4 \times N_2 + 2 \times N_1 + N_0$$

Maximum Ratio 32767

Minimum Ratio 256

Where N<sub>0</sub> ... N<sub>14</sub> are the different bits for frequency information.

The counter may be used for any ratio between 256 and 32767, and reloads correctly as long as its output frequency does not exceed 1.0 MHz.

The data transfer between latches A and B (signal TDI) is also initiated by any start condition on the I<sup>2</sup>C bus.

At power-on the whole bus receiver is reset and the bit N<sub>g</sub> of the programmable divider is set to N<sub>g</sub> = 1. Thus the programmable divider starts with a division ratio of 256 or higher.

The first I<sup>2</sup>C message must be sent only when the POWER ON RESET is completed. Division ratios of N < 256 are not allowed.

**The Prescaler**

The prescaler has a preamplifier which guarantees high input sensitivity.

**The Phase Comparator**

The phase comparator is phase and frequency sensitive and has very low output leakage current in the high impedance state.

**The Tuning Voltage Amplifier**

The amplifier is designed for very low noise, low input bias current and high power supply rejection. The positive input is biased internally. The tuning voltage amplifier needs an external pull-up resistor to generate the tuning voltage.

The amplifier can be switched "Off" through bit T<sub>8</sub>. When bit T<sub>8</sub> is "One", the amplifier is "Off". The tuning voltage is then pulled high by the external pull-up resistor.

Figure 6 shows a possible filter arrangement. The component values depend very much on the application (tuner characteristic, reference frequency, etc.).

**The Oscillator**

The oscillator uses a 3.2 or 4.0 MHz crystal tied to ground in series with a capacitor. The crystal operates in its series resonance mode.

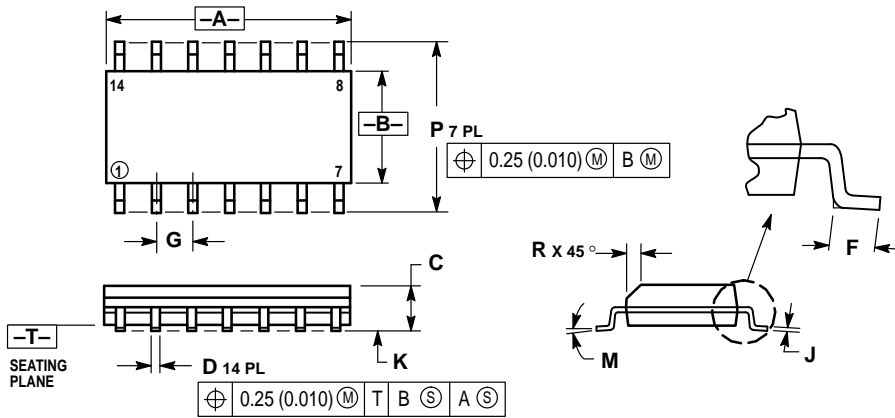
The voltage at Pin 13, has low amplitude and low harmonic distortion.

The negative impedance of the crystal input (Pin 13) is about 3.0 kΩ.

# MC44826

## OUTLINE DIMENSIONS

**D SUFFIX**  
**PLASTIC PACKAGE**  
**CASE 751A-03**  
**(SO-14)**



**NOTES:**

1. DIMENSIONING AND TOLERANCING PER ANSI Y14.5M, 1982.
2. CONTROLLING DIMENSION: MILLIMETER.
3. DIMENSIONS A AND B DO NOT INCLUDE MOLD PROTRUSION.
4. MAXIMUM MOLD PROTRUSION 0.15 (0.006) PER SIDE.
5. DIMENSION D DOES NOT INCLUDE DAMBAR PROTRUSION. ALLOWABLE DAMBAR PROTRUSION SHALL BE 0.127 (0.005) TOTAL IN EXCESS OF THE D DIMENSION AT MAXIMUM MATERIAL CONDITION.

DIM	MILLIMETERS		INCHES	
	MIN	MAX	MIN	MAX
A	8.55	8.75	0.337	0.344
B	3.80	4.00	0.150	0.157
C	1.35	1.75	0.054	0.068
D	0.35	0.49	0.014	0.019
F	0.40	1.25	0.016	0.049
G	1.27 BSC		0.050 BSC	
J	0.19	0.25	0.008	0.009
K	0.10	0.25	0.004	0.009
M	0°	7°	0°	7°
P	5.80	6.20	0.228	0.244
R	0.25	0.50	0.010	0.019

Motorola reserves the right to make changes without further notice to any products herein. Motorola makes no warranty, representation or guarantee regarding the suitability of its products for any particular purpose, nor does Motorola assume any liability arising out of the application or use of any product or circuit, and specifically disclaims any and all liability, including without limitation consequential or incidental damages. "Typical" parameters which may be provided in Motorola data sheets and/or specifications can and do vary in different applications and actual performance may vary over time. All operating parameters, including "Typicals" must be validated for each customer application by customer's technical experts. Motorola does not convey any license under its patent rights nor the rights of others. Motorola products are not designed, intended, or authorized for use as components in systems intended for surgical implant into the body, or other applications intended to support or sustain life, or for any other application in which the failure of the Motorola product could create a situation where personal injury or death may occur. Should Buyer purchase or use Motorola products for any such unintended or unauthorized application, Buyer shall indemnify and hold Motorola and its officers, employees, subsidiaries, affiliates, and distributors harmless against all claims, costs, damages, and expenses, and reasonable attorney fees arising out of, directly or indirectly, any claim of personal injury or death associated with such unintended or unauthorized use, even if such claim alleges that Motorola was negligent regarding the design or manufacture of the part. Motorola and are registered trademarks of Motorola, Inc. Motorola, Inc. is an Equal Opportunity/Affirmative Action Employer.

**How to reach us:**

**USA/EUROPE/Locations Not Listed:** Motorola Literature Distribution;  
P.O. Box 20912; Phoenix, Arizona 85036. 1-800-441-2447 or 602-303-5454

**JAPAN:** Nippon Motorola Ltd.; Tatsumi-SPD-JLDC, 6F Seibu-Butsuryu-Center,  
3-14-2 Tatsumi Koto-Ku, Tokyo 135, Japan. 03-81-3521-8315

**MFAX:** RMFA00@email.sps.mot.com – TOUCHTONE 602-244-6609  
**INTERNET:** http://Design-NET.com

**ASIA/PACIFIC:** Motorola Semiconductors H.K. Ltd.; 8B Tai Ping Industrial Park,  
51 Ting Kok Road, Tai Po, N.T., Hong Kong. 852-26629298

