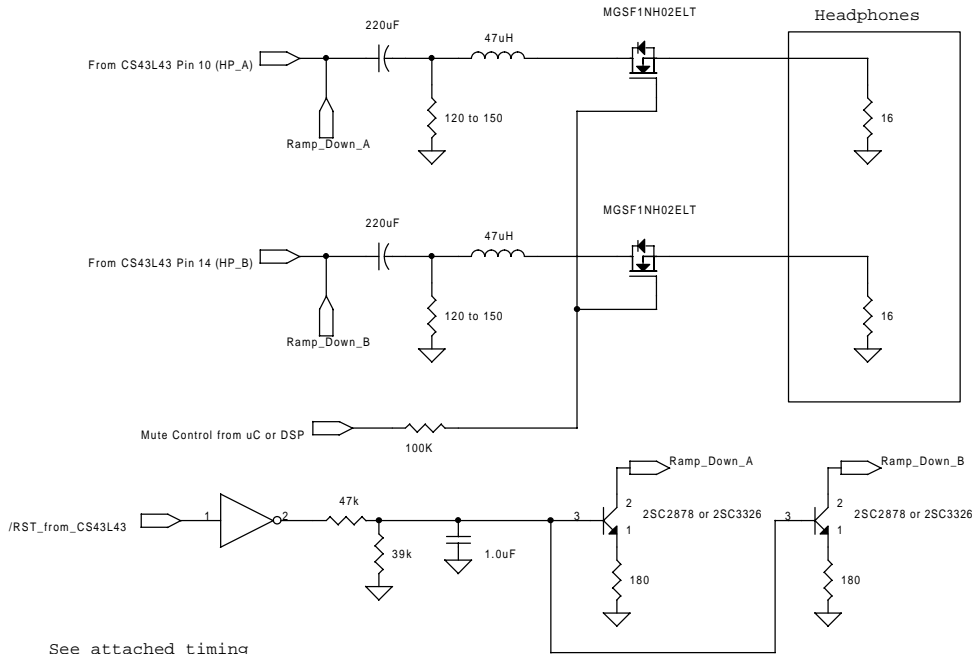


Errata: CS43L43 Rev. DCS43L43 Low Voltage, Stereo DAC with Headphone Amp

All references to the CS43L43 mentioned below shall be taken to refer to revision D of the CS43L43 product. The hardware revision code can be found in the 10-character field printed below the part number on each chip. The letter which appears as the fifth character from the right is the revision code (e.g. ZNACSD9926 is a Revision D part).

- The PopGuard[®] Transient Control does not function properly and will produce audible artifacts on the headphone outputs during power-up. A hardware fix is available for this issue and is shown in Figures 1 and 2.
- The PopGuard[®] Transient Control power-down ramp requires 5 seconds to prevent audible artifacts on the headphone outputs at the next power-up. A hardware fix is available for this issue, see Figures 1 and 2 for details. This fix will reduce the ramp down time to approximately 300 milliseconds.
- The headphone outputs clip when the value of VA_HP is below VA. It is recommended that these two supplies be tied together.
- The Peak Signal Limiter is not functional.
- The Soft Ramp feature, which allows for ramped digital and analog level changes in control port mode, is not available in High Rate Mode.
- When the Analog Headphone Attenuation Control registers (02h and 03h) are set for attenuation levels greater than -10 dB, the actual attenuation deviates from the register setting by more than 1 dB.

The Motorola MOSFETs shown have been tested to work properly, however, an equivalent device may be used.



See attached timing diagram for /RST and the Mute control. Customer will need to generate the mute control from their DSP or micro-controller.

2SC2878 is in TO-92 package
2SC3326 is in SOT-23 package

The Toshiba transistors or equivalent will work best here. The device used must have a very low R_{on} (3 ohms or less).

Figure 1. Pop Guard Fix

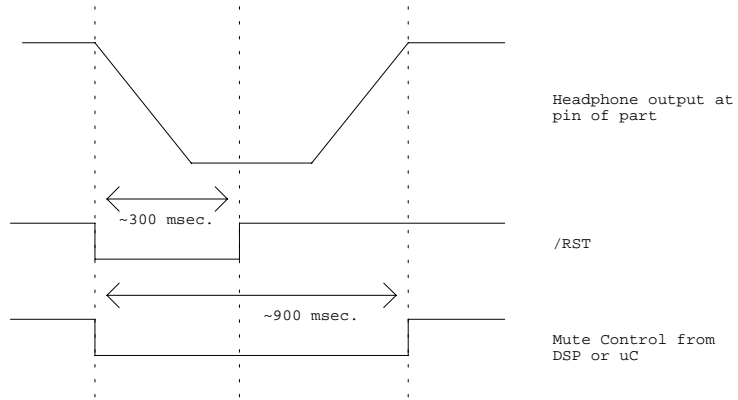


Figure 2. Timing for Pop Guard Fix

If there are any questions concerning this information,
please contact Applications Engineering at 512-445-7222.
