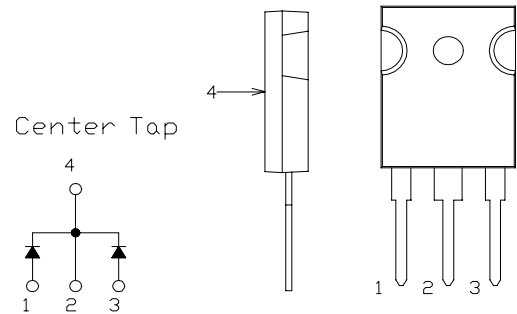


FRD Type : KCF25A40

OUTLINE DRAWING

FEATURES

- * Similar to TO-247AC (TO-3P) Case
- * Dual Diodes – Cathode Common
- * Ultra – Fast Recovery
- * Low Forward Voltage Drop
- * High Surge Capability
- * 200 Volts thru 400 Volts Types Available



Maximum Ratings

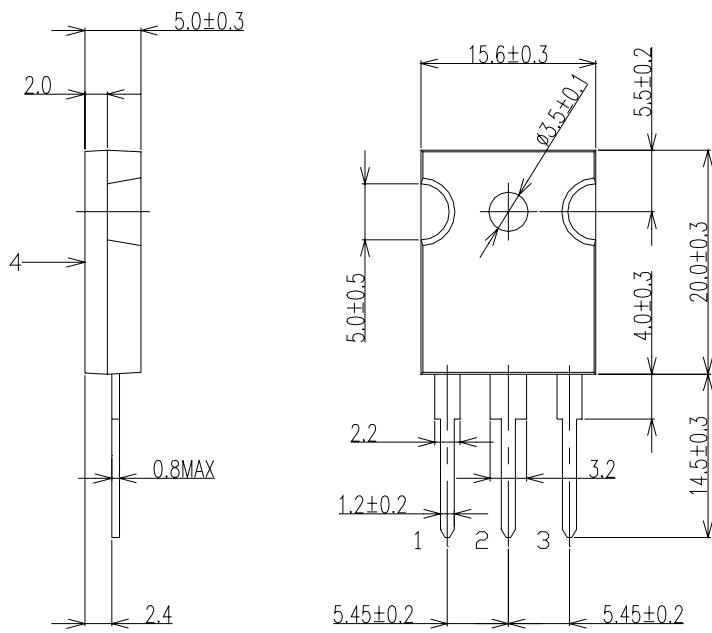
Approx Net Weight:5.55g

Rating	Symbol	KCF25A40		Unit
Repetitive Peak Reverse Voltage	V_{RRM}	400		V
Non-repetitive Peak Reverse Voltage	V_{RSM}	440		V
Average Rectified Output Current	I_O	25	$T_c=85^\circ\text{C}$ 50 Hz, Full Sine Wave Resistive Load	A
RMS Forward Current	$I_{F(RMS)}$	28		A
Surge Forward Current	I_{FSM}	150	50 Hz Full Sine Wave, 1 cycle Non-repetitive	A
Operating Junction Temperature Range	T_{jw}	- 40 to + 150		$^\circ\text{C}$
Storage Temperature Range	T_{stg}	- 40 to + 150		$^\circ\text{C}$
Mounting torque		0.5	Recommended value	N·m

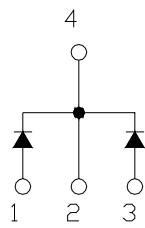
Electrical • Thermal Characteristics

Characteristics	Symbol	Conditions	Min.	Typ.	Max.	Unit
Peak Reverse Current	I_{RM}	$T_j=25^\circ\text{C}$, $V_{RM}=V_{RRM}$ per Arm	-	-	50	μA
Peak Forward Voltage	V_{FM}	$T_j=25^\circ\text{C}$, $I_{FM}=12.5\text{A}$ per Arm	-	-	1.25	V
Reverse Recovery Time	t_{rr}	$I_{FM}=10\text{A}$, $-di/dt= 50\text{A}/\mu\text{s}$, $T_a= 25^\circ\text{C}$	-	-	50	ns
Thermal Resistance	$R_{th(j-c)}$	Junction to Case	-	-	2	$^\circ\text{C}/\text{W}$

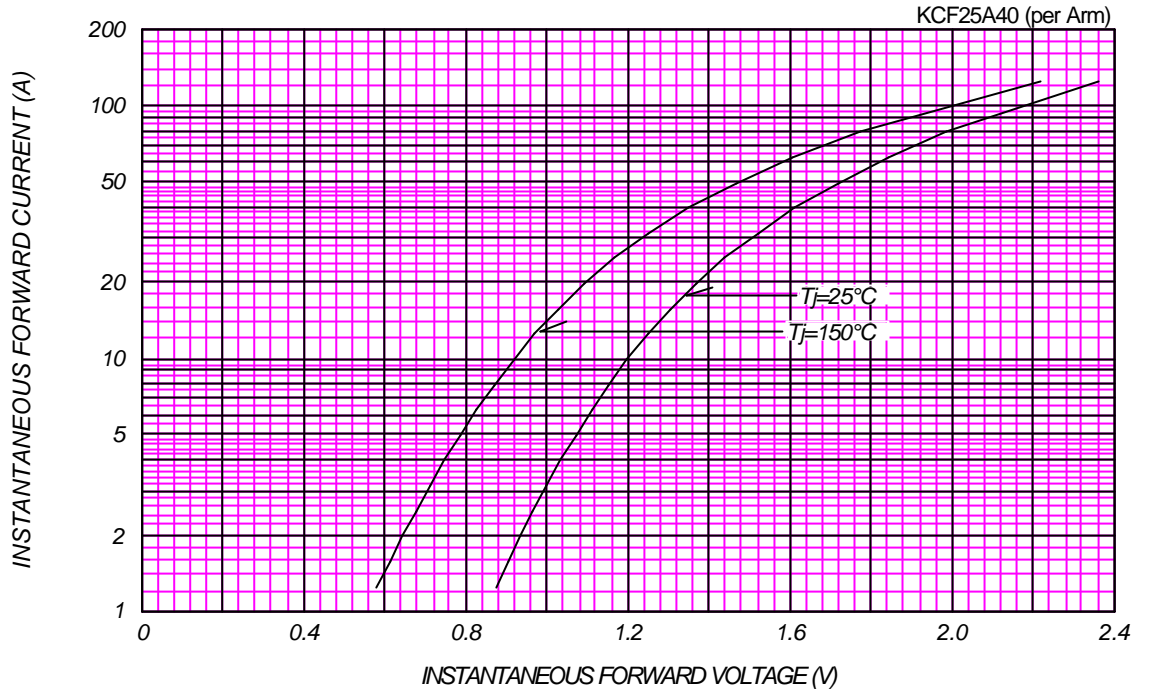
KCF25A40 OUTLINE DRAWING (Dimensions in mm)



Center Tap



FORWARD CURRENT VS. VOLTAGE



AVERAGE FORWARD POWER DISSIPATION

