

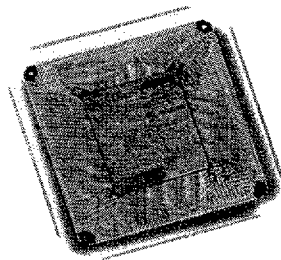


MOBILE PENTIUM® PROCESSOR WITH MMX™ TECHNOLOGY

Maximum Operating Frequency	133 MHz	150 MHz	166 MHz
-----------------------------	---------	---------	---------

- | | |
|--|--|
| <ul style="list-style-type: none"> ■ Support for MMX™ Technology ■ Compatible with Large Software Bas <ul style="list-style-type: none"> — MS-DOS*, Windows*, OS/2*, UNIX* ■ 32-Bit CPU with 64-Bit Data Bus ■ Superscalar Architecture <ul style="list-style-type: none"> — Enhanced pipelines — Two Pipelined Integer Units Capable of Instructions/Clock — Pipelined MMX Unit — Pipelined Floating-Point Unit ■ Separate Code and Data Caches <ul style="list-style-type: none"> — 16-Kbyte Code, 16-Kbyte Write Back Data — MESI Cache Protocol ■ Low Voltage CMOS Silicon Technology ■ 4-Mbyte Pages for Increased TLB Hit Rat | <ul style="list-style-type: none"> ■ Advanced Design Features <ul style="list-style-type: none"> — Deeper Write Buffers — Enhanced Branch Prediction Feature — Virtual Mode Extensions ■ IEEE 1149.1 Boundary Scan ■ Voltage Reduction Technology <ul style="list-style-type: none"> — 2.45 VCC for core supply ■ Internal Error Detection Features ■ Power Management Features <ul style="list-style-type: none"> — System Management Mode — Clock Control ■ Fractional Bus Operation <ul style="list-style-type: none"> — 133-MHz Core/66-MHz Bus — 150-MHz Core/60-MHz Bus — 166-MHz Core/66-MHz Bus |
|--|--|

The mobile Pentium® processor with MMX™ technology extends the mobile Pentium processor family, providing performance needed for notebook applications. The mobile Pentium processor with MMX technology is compatible with the entire installed base of applications for MS-DOS*, Windows*, OS/2*, and UNIX* and is the first microprocessor to support Intel MMX technology. Furthermore, the mobile Pentium processor with MMX technology has superscalar architecture which can execute two instructions per clock cycle, and enhanced branch prediction and separate caches also increase performance. The pipelined floating-point unit delivers workstation level performance. Separate code and data caches reduce cache conflicts while remaining software transparent. The mobile Pentium processor with MMX technology has 4.5 million transistors and is built on Intel's enhanced 3.3V CMOS silicon technology and has full SL Enhanced power management features, including System Management Mode (SMM) and clock control. The additional SL Enhanced features, 2.45V core operation along with 3.3V I/O buffer operation, and the option of the TCP, which are not available in the desktop version, make the mobile Pentium processor with MMX technology ideal for enabling mobile MMX technology designs. The mobile Pentium processor with MMX technology may contain design defects or errors known as errata which may cause the product to deviate from published specifications. Current characterized errata are available upon request.



June 1997

Order Number: 243292-004

■ 4826175 0185169 384 ■

MOBILE PENTIUM® PROCESSOR WITH MMX™ TECHNOLOGY



Information in this document is provided in connection with Intel products. No license, express or implied, by estoppel or otherwise, to any intellectual property rights is granted by this document. Except as provided in Intel's Terms and Conditions of Sale for such products, Intel assumes no liability whatsoever, and Intel disclaims any express or implied warranty, relating to sale and/or use of Intel products including liability or warranties relating to fitness for a particular purpose, merchantability, or infringement of any patent, copyright or other intellectual property right. Intel products are not intended for use in medical, life saving, or life sustaining applications.

Designers must not rely on the absence or characteristics of any features or instructions marked "reserved" or "undefined." Intel reserves these for future definition and shall have no responsibility whatsoever for conflicts or incompatibilities arising from future changes to them.

Intel retains the right to make changes to specifications and product descriptions at any time, without notice.

The mobile Pentium processor with MMX technology may contain design defects or errors known as errata which may cause the product to deviate from published specifications. Current characterized errata are available on request.

*Third-party brands and names are the property of their respective owners.

Contact your local Intel sales office or your distributor to obtain the latest specifications and before placing your product order.

Copies of documents which have an ordering number and are referenced in this document, or other Intel literature, may be obtained from:

Intel Corporation
P.O. Box 7641
Mt. Prospect, IL 60056-7641

or call 1-800-879-4683
COPYRIGHT © INTEL CORPORATION 1993, 1996, 1997
2

■ 4826175 01&5170 0T6 ■





CONTENTS

	PAGE		PAGE
1.0. MICROPROCESSOR ARCHITECTURE OVERVIEW	4	3.7. Pin Reference Tables	31
2.0. MICROPROCESSOR ARCHITECTURE OVERVIEW	4	3.8. Pin Grouping According to Function	34
2.1. Mobile Pentium® Processor Family Architecture	5	4.0. ELECTRICAL SPECIFICATIONS	35
2.2. Mobile Pentium® Processor with MMX™ Technology	7	4.1. Maximum Ratings	35
2.3.1. Full support for Intel MMX™ technology	7	4.2. DC Specifications	35
2.3.2. Doubled code and data caches to 16K each.....	7	4.2.1. POWER SEQUENCING	35
2.3.3. Improved branch prediction	7	4.3. AC Specifications	38
2.3.4. Enhanced pipeline	8	4.3.1. POWER AND GROUND	38
3.0. MOBILE PENTIUM® PROCESSOR WITH MMX™ TECHNOLOGY PINOUT	8	4.3.2. DECOUPLING RECOMMENDATIONS	38
3.1. Mobile Differences from Desktop	8	4.3.3. CONNECTION SPECIFICATIONS	39
3.2. TCP Pinout and Pin Descriptions	9	4.3.4. AC TIMINGS FOR A 60-MHZ BUS	39
3.2.1. TCP MOBILE PENTIUM® PROCESSOR WITH MMX™ TECHNOLOGY PINOUT	9	4.3.5. AC TIMINGS FOR A 66-MHZ BUS	45
3.2.2. TCP MOBILE PENTIUM® PROCESSOR WITH MMX™ TECHNOLOGY PIN CROSS REFERENCE.....	10	4.4. I/O Buffer Models	54
3.3. PPGA Package	17	4.4.1. BUFFER MODEL PARAMETERS	57
3.3.1. PPGA Pin Diagrams	17	4.4.2. SIGNAL QUALITY SPECIFICATIONS	60
3.3.2 PPGA MOBILE PENTIUM® PROCESSOR WITH MMX™ TECHNOLOGY PIN CROSS REFERENCE.....	19	CLOCK SIGNAL MEASUREMENT METHODOLOGY	64
3.4. Design Notes	22	5.0. MECHANICAL SPECIFICATIONS	66
3.5. Quick Pin Reference	22	5.1. TCP Mechanical Diagrams	67
3.6. Bus Frequency	30	5.2. Plastic Pin Grid Array (PPGA)	73
		6.0. THERMAL SPECIFICATIONS	75
		6.1. Measuring Thermal Values for TCP	75
		6.1.1. TCP Thermal Equations	75
		6.1.2. TCP Thermal Characteristics	75
		6.1.3. TCP PC Board Enhancements	75
		6.1.3.1. TCP STANDARD TEST BOARD CONFIGURATION	76
		6.2. Measuring Thermal Values For PPGA	77
		6.2.1. THERMAL EQUATIONS AND DATA	78



1.0. MICROPROCESSOR ARCHITECTURE OVERVIEW

The mobile Pentium® processor with MMX™ technology is functionally similar to the mobile Pentium processor with voltage reduction technology (75-150) with the following differences: voltage supplies, maximum bus and core frequency and performance. This processor is socket compatible with the mobile Pentium processor voltage reduction technology (75-150) making it possible to design a flexible motherboard that supports both the mobile Pentium processor (75-150) and the mobile Pentium processor with MMX technology. It has all the advanced features of the desktop version of the Pentium processor with MMX technology except for the differences listed in Section 3.1.

The mobile Pentium processor with MMX technology has several features which allow high-performance notebooks to be designed, including the following:

- TCP dimensions are ideal for small form-factor designs.
- TCP has superior thermal resistance characteristics.
- 2.45V core and 3.3V I/O buffer V_{CC} inputs reduce power consumption significantly, while maintaining 3.3V compatibility externally.
- The SL Enhanced feature set

The architecture and internal features of the mobile Pentium processor with MMX technology are identical to the desktop version specifications provided in the *Pentium® Processor Family Developer's Manual* (Order Number 241428), except several features not used in mobile applications which have been eliminated to streamline it for mobile applications.

This document should be used in conjunction with *Pentium® Processor Family Developer's Manual* (Order Number: 241428)

2.0. MICROPROCESSOR ARCHITECTURE OVERVIEW

The mobile Pentium processor with MMX technology extends the mobile Pentium family of microprocessors. It is binary compatible with the 8086/88, 80286, Intel386™ DX, Intel386 SX, Intel486™ DX, Intel486 SX, Intel486 DX2 and mobile Pentium processors with voltage reduction technology (75-150).

The mobile Pentium processor family consists of the mobile Pentium processor with MMX technology described in this document and the mobile Pentium processor with voltage reduction technology (75-150).

The mobile Pentium processor with MMX technology contains all of the features of previous Intel Architecture and provides significant enhancements and additions including the following:

- Support for MMX™ Technology
- Superscalar Architecture
- Enhanced Branch Prediction Algorithm
- Pipelined Floating-Point Unit
- Improved Instruction Execution Time
- Separate 16K Code and 16K Data Caches
- Writeback MESI Protocol in the Data Cache
- 64-Bit Data Bus
- Enhanced Bus Cycle Pipelining
- Address Parity
- Internal Parity Checking
- Execution Tracing
- Performance Monitoring
- IEEE 1149.1 Boundary Scan
- System Management Mode
- Virtual Mode Extensions
- Voltage Reduction Technology
- SL Power Management Features
- Pool of four write buffers used by both pipes



2.1. Mobile Pentium[®] Processor Family Architecture

The application instruction set of the mobile Pentium processor family includes the complete Intel486 CPU family instruction set with extensions to accommodate some of the additional functionality of the Pentium processors. All application software written for the Intel386 and Intel486 family microprocessors will run on the Pentium processors without modification. The on-chip memory management unit (MMU) is completely compatible with the Intel386 and Intel486 families of processors.

The Pentium processors implement several enhancements to increase performance. The two instruction pipelines and floating-point unit on Pentium processors are capable of independent operation. Each pipeline issues frequently used instructions in a single clock. Together, the dual pipes can issue two integer instructions in one clock, or one floating-point instruction (under certain circumstances, two floating-point instructions) in one clock.

Branch prediction is implemented in the Pentium processors. To support this, Pentium processors implement two prefetch buffers, one to prefetch code in a linear fashion, and one that prefetches code according to the Branch Target Buffer (BTB) so the needed code is almost always prefetched before it is needed for execution.

The floating-point unit has been completely redesigned over the Intel486 processor. Faster algorithms provide up to 10X speed-up for common operations including add, multiply and load.

Pentium processors include separate code and data caches integrated on-chip to meet performance goals. Each cache has a 32-byte line size and is 2-way set associative. Each cache has a dedicated Translation Lookaside Buffer (TLB) to translate linear addresses to physical addresses. The data cache is configurable to be writeback or writethrough on a line-by-line basis and follows the MESI protocol. The data cache tags are triple ported to support two data transfers and an inquire cycle in the same clock. The code cache is an inherently write-protected cache. The code cache tags are also triple ported to support snooping and split line accesses. Individual pages can be configured as cacheable or non-cacheable by software or hardware. The caches can be enabled or disabled by software or hardware.

The Pentium processors have increased the data bus to 64 bits to improve the data transfer rate. Burst read and burst writeback cycles are supported by the Pentium processors. In addition, bus cycle pipelining has been added to allow two bus cycles to be in progress simultaneously. The Pentium processors' MMU contains optional extensions to the architecture which allow 4-Kbyte and 4-Mbyte page sizes.

The Pentium processors have added significant data integrity and error detection capability. Data parity checking is still supported on a byte-by-byte basis. Address parity checking and internal parity checking features have been added along with a new exception, the machine check exception.

As more and more functions are integrated on chip, the complexity of board level testing is increased. To address this, the Pentium processors have increased test and debug capability. The Pentium processors implement IEEE Boundary Scan (Standard 1149.1). In addition, the Pentium processors have specified four breakpoint pins that correspond to each of the debug registers and externally indicate a breakpoint match. Execution tracing provides external indications when an instruction has completed execution in either of the two internal pipelines, or when a branch has been taken.

System Management Mode (SMM) has been implemented along with some extensions to the SMM architecture. Enhancements to the virtual 8086 mode have been made to increase performance by reducing the number of times it is necessary to trap to a virtual 8086 monitor.

Figure 1 shows a block diagram of the mobile Pentium processor with MMX technology.

The block diagram shows the two instruction pipelines, the "u" pipe and "v" pipe. The u-pipe can execute all integer and floating-point instructions. The v-pipe can execute simple integer instructions and the FXCH floating-point instructions.

MOBILE PENTIUM® PROCESSOR WITH MMX™ TECHNOLOGY



The separate code and data caches are shown. The data cache has two ports, one for each of the two pipes (the tags are triple ported to allow simultaneous inquire cycles). The data cache has

a dedicated Translation Lookaside Buffer (TLB) to translate linear addresses to the physical addresses used by the data cache.

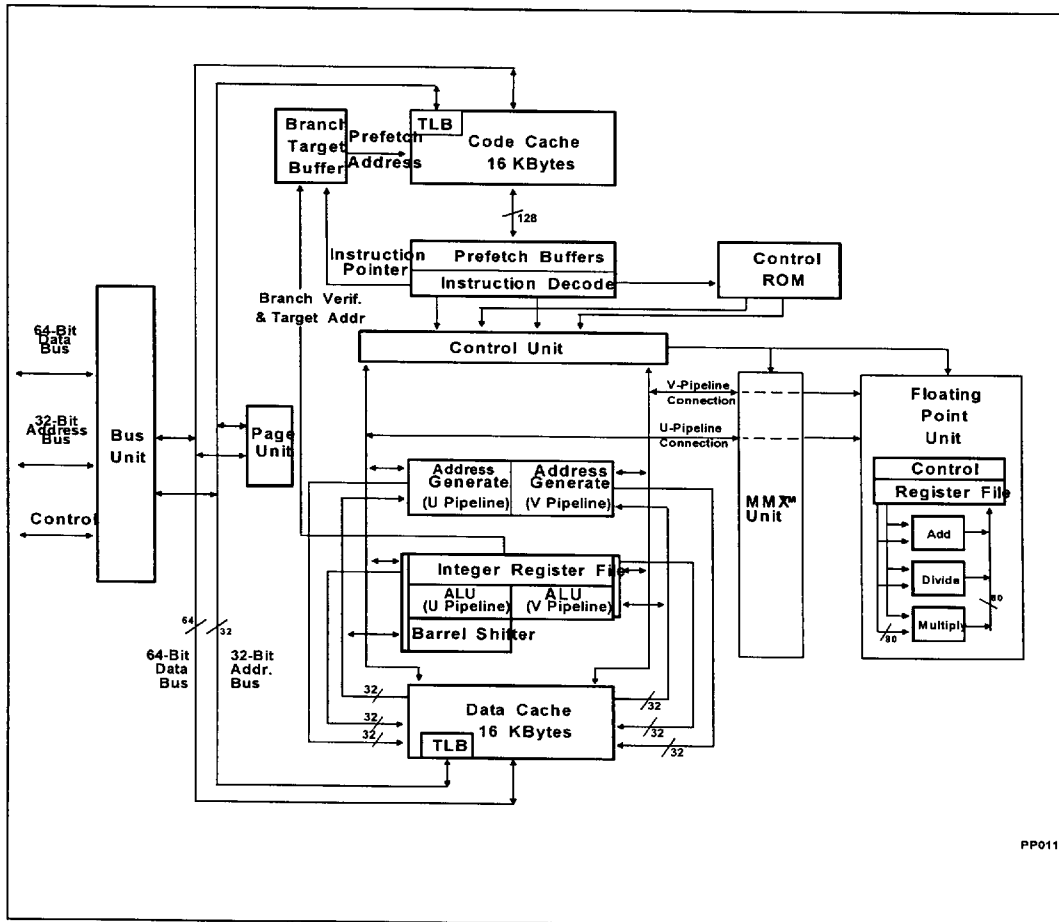


Figure 1. Mobile Pentium® Processor with MMX™ Technology Block Diagram



The code cache, branch target buffer and prefetch buffers are responsible for getting raw instructions into the execution units of the mobile Pentium processor. Instructions are fetched from the code cache or from the external bus. Branch addresses are remembered by the branch target buffer. The code cache TLB translates linear addresses to physical addresses used by the code cache.

The decode unit decodes the prefetched instructions so the mobile Pentium processor can execute the instruction. The control ROM contains the microcode which controls the sequence of operations that must be performed to implement the mobile Pentium processor architecture. The control ROM unit has direct control over both pipelines.

The mobile Pentium processor contains a pipelined floating-point unit that provides a significant floating-point performance advantage over previous generations of processors.

In addition to the SMM features described above, the mobile Pentium processor supports clock control. When the clock to the processor is stopped, power dissipation is virtually eliminated. The combination of these improvements makes the mobile Pentium processor a good choice for energy-efficient notebook designs.

The mobile Pentium processor supports fractional bus operation. This allows the internal processor core to operate at high frequencies, while communicating with the external bus at lower frequencies.

The architectural features introduced in this section are more fully described in the *Pentium[®] Processor Family Developer's Manual* (Order Number: 241428).

2.2. Mobile Pentium[®] Processor with MMX[™] Technology

The mobile Pentium processor with MMX technology is a significant addition to the mobile Pentium processor family. Available at both 150 and 166 MHz, it is the first microprocessor to support Intel MMX technology and now at 133 MHz.

The mobile Pentium processor with MMX technology is both software and pin compatible with previous members of the mobile Pentium processor family. It contains 4.5 million transistors and is manufactured on Intel's enhanced 0.35 micron

CMOS process which allows voltage reduction technology for low power and high density. This enables the mobile Pentium processor with MMX technology to remain within the thermal envelope while providing a significant performance increase.

In addition to the architecture described in the previous section for the mobile Pentium processor family, the mobile Pentium processor with MMX technology has several additional micro-architectural enhancements, which are described below:

2.3.1. Full support for Intel MMX[™] technology

MMX technology is based on SIMD technique (Single Instruction, Multiple Data) which enables increased performance on a wide variety of multimedia and communications applications. Fifty-seven new instructions and four new 64-bit data types are supported in the mobile Pentium processor with MMX technology. All existing operating system and application software are fully-compatible.

2.3.2. Doubled code and data caches to 16K each

On-chip level-1 data and code cache sizes have been doubled to 16KB each and are 4-way set associative on the mobile Pentium processor with MMX technology. Larger separate internal caches improve performance by reducing average memory access time and providing fast access to recently-used instructions and data. The instruction and data caches can be accessed simultaneously while the data cache supports two data references simultaneously. The data cache supports a write-back (or alternatively, write-through, on a line by line basis) policy for memory updates.

2.3.3. Improved branch prediction

Dynamic branch prediction uses the Branch Target Buffer (BTB) to boost performance by predicting the most likely set of instructions to be executed. The BTB has been improved on the mobile Pentium processor with MMX technology to increase its accuracy. Further, this processor has four prefetch buffers that can hold up to four successive code streams.



2.3.4. Enhanced pipeline

An additional pipeline stage has been added and the pipeline has been enhanced to improve performance. The integration of the MMX technology pipeline with the integer pipeline is very similar to that of the floating-point pipeline. Under some circumstances, two MMX instructions or one integer and one MMX instruction can be paired and issued in one clock cycle to increase throughput. The enhanced pipeline is described in more detail in the *Pentium® Processor Family Developer's Manual* (Order Number 241428).

Deeper write buffers. A pool of four write buffers is now shared between the dual pipelines to improve memory write performance.

3.0. MOBILE PENTIUM® PROCESSOR WITH MMX™ TECHNOLOGY PINOUT

3.1. Mobile Differences from Desktop

To better streamline the part for mobile applications, the following features have been eliminated: Upgrade, Dual Processing (DP), APIC and Master/Checker functional redundancy. Table 1 lists the corresponding pins which exist on the desktop Pentium processor with MMX technology but have been removed on the mobile Pentium processor with MMX technology.

Table 1. Signals Removed in Mobile Pentium® Processor with MMX™ Technology

Signal	Function
ADSC#	Additional Address Status. This signal is mainly used for large or standalone L2 cache memory subsystem support required for high-performance desktop or server models.
BRDYC#	Additional Burst Ready. This signal is mainly used for large or standalone L2 cache memory subsystem support required for high-performance desktop or server models.
CPUTYP	CPU Type. This signal is used for dual processing systems.
D/P#	Dual/Primary processor identification. This signal is only used for an upgrade processor.
FRCMC#	Functional Redundancy Checking. This signal is only used for error detection via processor redundancy and requires two Pentium® processors (master/checker).
PBGNT#	Private Bus Grant. This signal is only used for dual processing systems.
PBREQ#	Private Bus Request. This signal is used only for dual processing systems.
PHIT#	Private Hit. This signal is only used for dual processing systems.
PHITM#	Private Modified Hit. This signal is only used for dual processing systems.
PICCLK	APIC Clock. This signal is the APIC interrupt controller serial data bus clock.
PICD0 [DPEN#]	APIC's Programmable Interrupt Controller Data line 0. PICD0 shares a pin with DPEN# (Dual Processing Enable).
PICD1 [APICEN]	APIC's Programmable Interrupt Controller Data line 1. PICD1 shares a pin with APICEN (APIC Enable (on RESET)).



MOBILE PENTIUM[®] PROCESSOR WITH MMX[™] TECHNOLOGY

3.2. TCP Pinout and Pin Descriptions

this section is not the actual text which will be marked on the packages).

The text orientation on the top side view drawings in this section represent the orientation of the ink mark on the actual packages (Note that the text shown in

3.2.1. TCP MOBILE PENTIUM[®] PROCESSOR WITH MMX[™] TECHNOLOGY PINOUT

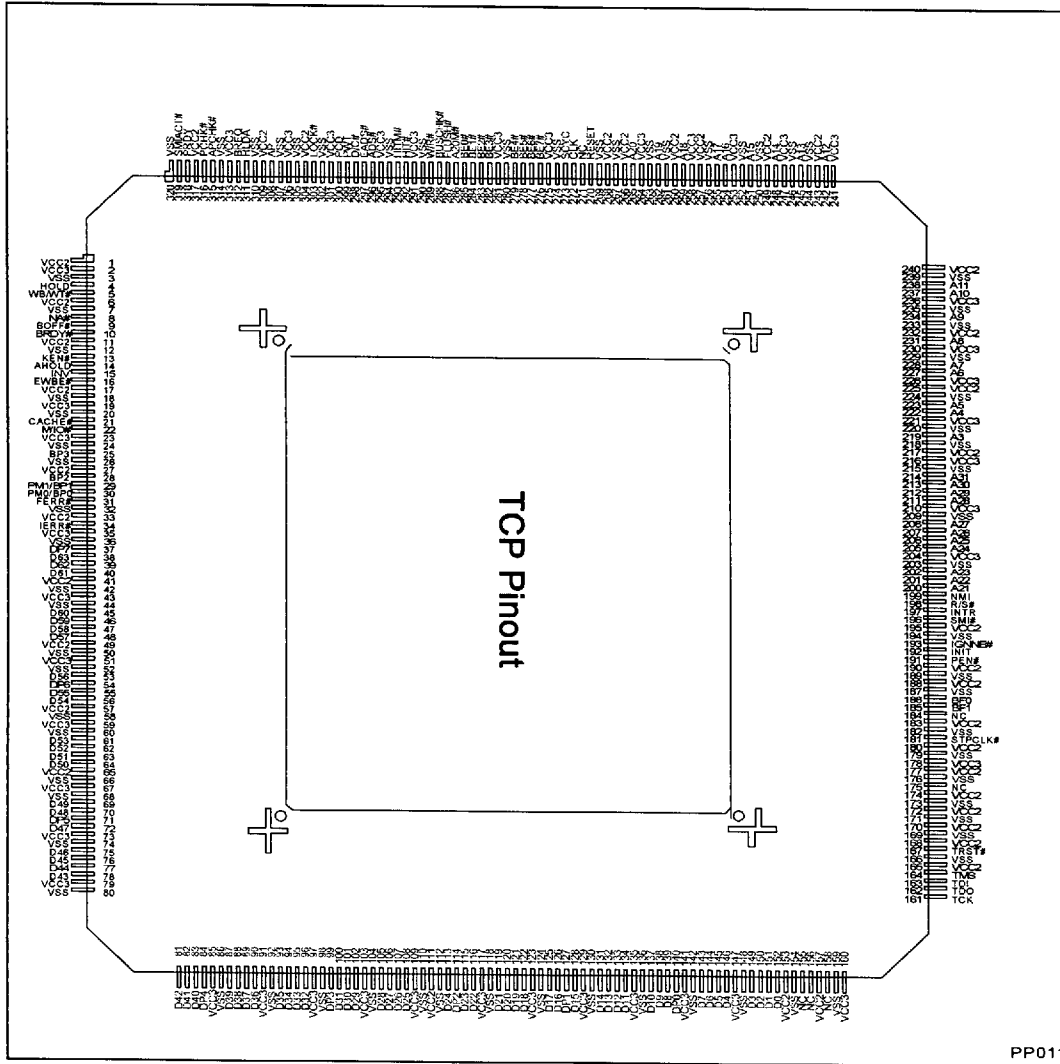


Figure 2. TCP Mobile Pentium[®] Processor with MMX[™] Technology Pinout


3.2.2. TCP MOBILE PENTIUM® PROCESSOR WITH MMX™ TECHNOLOGY PIN CROSS REFERENCE
Table 2. TCP Pin Cross Reference by Pin Name

Address									
A3	219	A9	234	A15	251	A21	200	A27	208
A4	222	A10	237	A16	254	A22	201	A28	211
A5	223	A11	238	A17	255	A23	202	A29	212
A6	227	A12	242	A18	259	A24	205	A30	213
A7	228	A13	245	A19	262	A25	206	A31	214
A8	231	A14	248	A20	265	A26	207		
Data									
D0	152	D13	132	D26	107	D39	87	D52	62
D1	151	D14	131	D27	106	D40	83	D53	61
D2	150	D15	128	D28	105	D41	82	D54	56
D3	149	D16	126	D29	102	D42	81	D55	55
D4	146	D17	125	D30	101	D43	78	D56	53
D5	145	D18	122	D31	100	D44	77	D57	48
D6	144	D19	121	D32	96	D45	76	D58	47
D7	143	D20	120	D33	95	D46	75	D59	46
D8	139	D21	119	D34	94	D47	72	D60	45
D9	138	D22	116	D35	93	D48	70	D61	40
D10	137	D23	115	D36	90	D49	69	D62	39
D11	134	D24	113	D37	89	D50	64	D63	38
D12	133	D25	108	D38	88	D51	63		



MOBILE PENTIUM® PROCESSOR WITH MMX™ TECHNOLOGY

Table 2. TCP Pin Cross Reference by Pin Name (Contd.)

Control							
A20M#	286	BREQ	312	HITM#	293	PM0/BP0	30
ADS#	296	BUSCHK#	288	HLDA	311	PM1/BP1	29
AHOLD	14	CACHE#	21	HOLD	4	PRDY	318
AP	308	D/C#	298	IERR#	34	PWT	299
APCHK#	315	DP0	140	IGNNE#	193	R/S#	198
BE0#	285	DP1	127	INIT	192	RESET	270
BE1#	284	DP2	114	INTR/LINT0	197	SCYC	273
BE2#	283	DP3	99	INV	15	SMI#	196
BE3#	282	DP4	84	KEN#	13	SMIACT#	319
BE4#	279	DP5	71	LOCK#	303	TCK	161
BE5#	278	DP6	54	M/IO#	22	TDI	163
BE6#	277	DP7	37	NA#	8	TDO	162
BE7#	276	EADS#	297	NMI/LINT1	199	TMS	164
BOFF#	9	EWBE#	16	PCD	300	TRST#	167
BP2	28	FERR#	31	PCHK#	316	W/R#	289
BP3	25	FLUSH#	287	PEN#	191	WB/WT#	5
BRDY#	10	HIT#	292				
Clock Control							
	BF0					186	
	BF1					185	
	CLK					272	
	STPCLK#					181	



Table 2. TCP Pin Cross Reference by Pin Name (Contd.)

Vcc2 ¹			
1	111	183	257
6	153	188	260
11	157	190	266
17	165	195	268
27	168	217	304
33	170	225	309
41	172	232	317
49	174	240	
57	177	243	
65	180	249	
Vcc3 ²			
2	91	178	258
19	97	204	264
23	103	210	275
35	109	216	281
43	117	221	291
51	123	226	295
59	129	230	301
67	135	236	306
73	141	241	313
79	147	247	
85	160	253	



MOBILE PENTIUM® PROCESSOR WITH MMX™ TECHNOLOGY

Table 2. TCP Pin Cross Reference by Pin Name (Contd.)

V _{SS}			
3	80	173	246
7	86	176	250
12	92	179	252
18	98	182	256
20	104	187	261
24	110	189	263
26	112	194	267
32	118	203	269
36	124	209	274
42	130	215	280
44	136	218	290
50	142	220	294
52	148	224	302
58	154	229	305
60	159	233	307
66	166	235	310
68	169	239	314
74	171	244	320
NC			
155	158	184	
156	175	271	

NOTE:

1. These V_{CC2} pins are 2.45V inputs to the core, but may change to a different voltage on future offerings of this microprocessor family.
2. All V_{CC3} pins are 3.3V I/O power inputs.

4826175 0185181 981

Table 3. TCP Pin Cross References by Pin Number (Pins 1-160)

Pin #	Signal	Pin #	Signal	Pin #	Signal	Pin #	Signal
1	V _{CC2}	41	V _{CC2}	81	D42	121	D19
2	V _{CC3}	42	V _{SS}	82	D41	122	D18
3	V _{SS}	43	V _{CC3}	83	D40	123	V _{CC3}
4	HOLD	44	V _{SS}	84	DP4	124	V _{SS}
5	WB/WT#	45	D60	85	V _{CC3}	125	D17
6	V _{CC2}	46	D59	86	V _{SS}	126	D16
7	V _{SS}	47	D58	87	D39	127	DP1
8	NA#	48	D57	88	D38	128	D15
9	BOFF#	49	V _{CC2}	89	D37	129	V _{CC3}
10	BRDY#	50	V _{SS}	90	D36	130	V _{SS}
11	V _{CC2}	51	V _{CC3}	91	V _{CC3}	131	D14
12	V _{SS}	52	V _{SS}	92	V _{SS}	132	D13
13	KEN#	53	D56	93	D35	133	D12
14	AHOLD	54	DP6	94	D34	134	D11
15	INV	55	D55	95	D33	135	V _{CC3}
16	EWBE#	56	D54	96	D32	136	V _{SS}
17	V _{CC2}	57	V _{CC2}	97	V _{CC3}	137	D10
18	V _{SS}	58	V _{SS}	98	V _{SS}	138	D9
19	V _{CC3}	59	V _{CC3}	99	DP3	139	D8
20	V _{SS}	60	V _{SS}	100	D31	140	DP0
21	CACHE#	61	D53	101	D30	141	V _{CC3}
22	M/IO#	62	D52	102	D29	142	V _{SS}
23	V _{CC3}	63	D51	103	V _{CC3}	143	D7
24	V _{SS}	64	D50	104	V _{SS}	144	D6
25	BP3	65	V _{CC2}	105	D28	145	D5
26	V _{SS}	66	V _{SS}	106	D27	146	D4
27	V _{CC2}	67	V _{CC3}	107	D26	147	V _{CC3}
28	BP2	68	V _{SS}	108	D25	148	V _{SS}
29	PM1/BP1	69	D49	109	V _{CC3}	149	D3



MOBILE PENTIUM® PROCESSOR WITH MMX™ TECHNOLOGY

Table 3. TCP Pin Cross References by Pin Number (Pins 1-160)

Pin #	Signal	Pin #	Signal	Pin #	Signal	Pin #	Signal
30	PM0/BP0	70	D48	110	VSS	150	D2
31	FERR#	71	DP5	111	V _{CC2}	151	D1
32	V _{SS}	72	D47	112	V _{SS}	152	D0
33	V _{CC2}	73	V _{CC3}	113	D24	153	V _{CC2}
34	IERR#	74	V _{SS}	114	DP2	154	V _{SS}
35	V _{CC3}	75	D46	115	D23	155	NC
36	V _{SS}	76	D45	116	D22	156	NC
37	DP7	77	D44	117	V _{CC3}	157	V _{CC2}
38	D63	78	D43	118	V _{SS}	158	NC
39	D62	79	V _{CC3}	119	D21	159	V _{SS}
40	D61	80	V _{SS}	120	D20	160	V _{CC3}
161	TCK	201	A22	241	V _{CC3}	281	V _{CC3}
162	TDO	202	A23	242	A12	282	BE3#
163	TDI	203	V _{SS}	243	V _{CC2}	283	BE2#
164	TMS	204	V _{CC3}	244	V _{SS}	284	BE1#
165	V _{CC2}	205	A24	245	A13	285	BE0#
166	V _{SS}	206	A25	246	V _{SS}	286	A20M#
167	TRST#	207	A26	247	V _{CC3}	287	FLUSH#
168	V _{CC2}	208	A27	248	A14	288	BUSCHK#
169	V _{SS}	209	V _{SS}	249	V _{CC2}	289	W/R#
170	V _{CC2}	210	V _{CC3}	250	V _{SS}	290	V _{SS}
171	V _{SS}	211	A28	251	A15	291	V _{CC3}
172	V _{CC2}	212	A29	252	V _{SS}	292	HIT#
173	V _{SS}	213	A30	253	V _{CC3}	293	HITM#
174	V _{CC2}	214	A31	254	A16	294	V _{SS}
175	NC	215	V _{SS}	255	A17	295	V _{CC3}
176	V _{SS}	216	V _{CC3}	256	V _{SS}	296	ADS#
177	V _{CC2}	217	V _{CC2}	257	V _{CC2}	297	EADS#
178	V _{CC3}	218	V _{SS}	258	V _{CC3}	298	D/C#
179	V _{SS}	219	A3	259	A18	299	PWT

4826175 0185183 754



Table 3. TCP Pin Cross References by Pin Number (Pins 1-160)

Pin #	Signal	Pin #	Signal	Pin #	Signal	Pin #	Signal
180	V _{CC2}	220	V _{SS}	260	V _{CC2}	300	PCD
181	STPCLK#	221	V _{CC3}	261	V _{SS}	301	V _{CC3}
182	V _{SS}	222	A4	262	A19	302	V _{SS}
183	V _{CC2}	223	A5	263	V _{SS}	303	LOCK#
184	NC	224	V _{SS}	264	V _{CC3}	304	V _{CC2}
185	BF1	225	V _{CC2}	265	A20	305	V _{SS}
186	BF0	226	V _{CC3}	266	V _{CC2}	306	V _{CC3}
187	V _{SS}	227	A6	267	V _{SS}	307	V _{SS}
188	V _{CC2}	228	A7	268	V _{CC2}	308	AP
189	V _{SS}	229	V _{SS}	269	V _{SS}	309	V _{CC2}
190	V _{CC2}	230	V _{CC3}	270	RESET	310	V _{SS}
191	PEN#	231	A8	271	NC	311	HLDA
192	INIT	232	V _{CC2}	272	CLK	312	BREQ
193	IGNNE#	233	V _{SS}	273	SCYC	313	V _{CC3}
194	V _{SS}	234	A9	274	V _{SS}	314	V _{SS}
195	V _{CC2}	235	V _{SS}	275	V _{CC3}	315	APCHK#
196	SMI#	236	V _{CC3}	276	BE7#	316	PCHK#
197	INTR/LINT0	237	A10	277	BE6#	317	V _{CC2}
198	R/S#	238	A11	278	BE5#	318	PRDY
199	NMI/LINT1	239	V _{SS}	279	BE4#	319	SMIACT#
200	A21	240	V _{CC2}	280	V _{SS}	320	V _{SS}

NOTE:

1. V_{CC2} pins are 2.45V inputs to the core.
2. V_{CC3} pins are 3.3V inputs to the I/O.



MOBILE PENTIUM® PROCESSOR WITH MMX™ TECHNOLOGY

3.3. PPGA Package

mark on the actual packages (Note that the text shown in this section is not the actual text which will be marked on the packages).

The text orientation on the top side view drawings in this section represent the orientation of the ink

3.3.1. PPGA Pin Diagrams

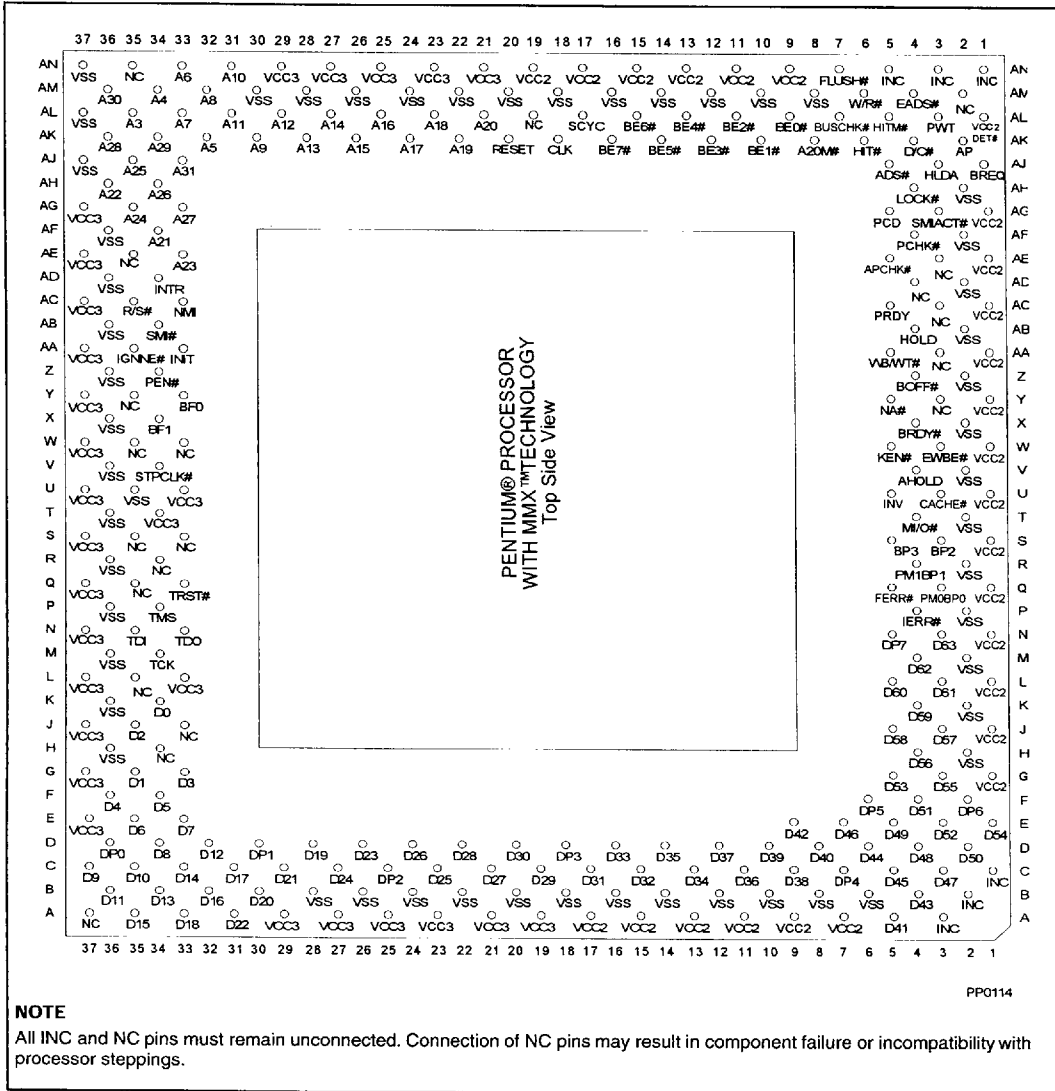


Figure 3. Mobile Pentium® Processor with MMX™ Technology Pinout Top Side View

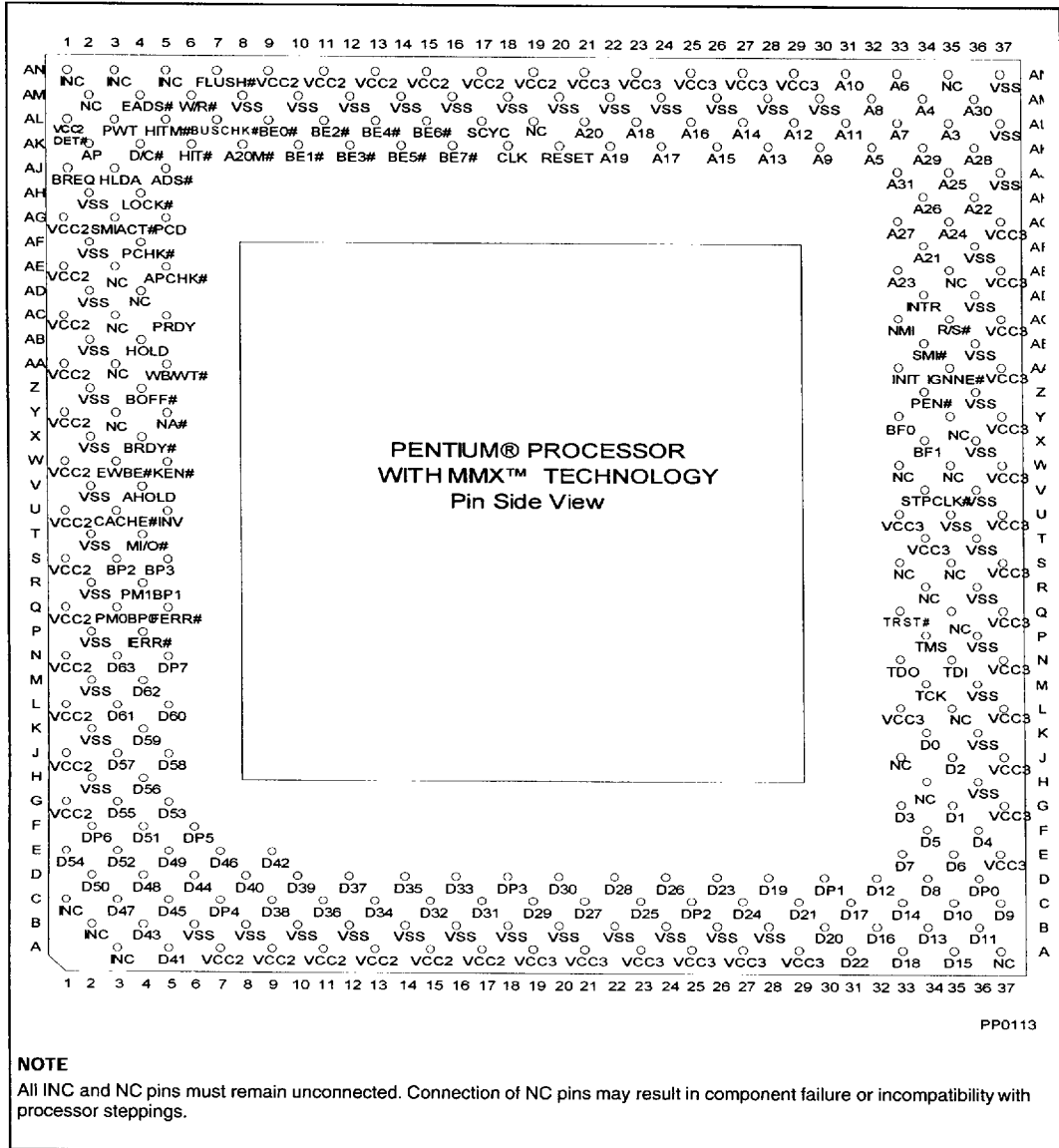


Figure 4. Mobile Pentium® Processor with MMX™ Technology Pinout Pin Side View



MOBILE PENTIUM® PROCESSOR WITH MMX™ TECHNOLOGY

3.3.2 PPGA MOBILE PENTIUM® PROCESSOR WITH MMX™ TECHNOLOGY PIN CROSS REFERENCE

Table 4. PPGA Pin Cross Reference by Pin Name

Address									
A3	AL35	A9	AK30	A15	AK26	A21	AF34	A27	AG33
A4	AM34	A10	AN31	A16	AL25	A22	AH36	A28	AK36
A5	AK32	A11	AL31	A17	AK24	A23	AE33	A29	AK34
A6	AN33	A12	AL29	A18	AL23	A24	AG35	A30	AM36
A7	AL33	A13	AK28	A19	AK22	A25	AJ35	A31	AJ33
A8	AM32	A14	AL27	A20	AL21	A26	AH34		
Data									
D0	K34	D13	B34	D26	D24	D39	D10	D52	E03
D1	G35	D14	C33	D27	C21	D40	D08	D53	G05
D2	J35	D15	A35	D28	D22	D41	A05	D54	E01
D3	G33	D16	B32	D29	C19	D42	E09	D55	G03
D4	F36	D17	C31	D30	D20	D43	B04	D56	H04
D5	F34	D18	A33	D31	C17	D44	D06	D57	J03
D6	E35	D19	D28	D32	C15	D45	C05	D58	J05
D7	E33	D20	B30	D33	D16	D46	E07	D59	K04
D8	D34	D21	C29	D34	C13	D47	C03	D60	L05
D9	C37	D22	A31	D35	D14	D48	D04	D61	L03
D10	C35	D23	D26	D36	C11	D49	E05	D62	M04
D11	B36	D24	C27	D37	D12	D50	D02	D63	N03
D12	D32	D25	C23	D38	C09	D51	F04		

Table 4. PPGA Pin Cross Reference by Pin Name (Contd.)

Control							
A20M#	AK08	BREQ	AJ01	HITM#	AL05	PM1/BP1	R04
ADS#	AJ05	BUSCHK#	AL07	HLDA	AJ03	R/S#	AC35
AHOLD	V04	CACHE#	U03	HOLD	AB04	PRDY	AC05
AP	AK02	D/C#	AK04	IERR#	P04	PWT	AL03
APCHK#	AE05	DP0	D36	IGNNE#	AA35	RESET	AK20
BE0#	AL09	DP1	D30	INIT	AA33	SCYC	AL17
BE1#	AK10	DP2	C25	INTR	AD34	SMI#	AB34
BE2#	AL11	DP3	D18	INV	U05	SMIACT#	AG03
BE3#	AK12	DP4	C07	KEN#	W05	TCK	M34
BE4#	AL13	DP5	F06	LOCK#	AH04	TDI	N35
BE5#	AK14	DP6	F02	M/IO#	T04	TDO	N33
BE6#	AL15	DP7	N05	NA#	Y05	TMS	P34
BE7#	AK16	EADS#	AM04	NMI	AC33	TRST#	Q33
BOFF#	Z04	EWBE#	W03	PCD	AG05	VCC2DET#	AL01
BP2	S03	FERR#	Q05	PCHK#	AF04	W/R#	AM06
BP3	S05	FLUSH#	AN07	PEN#	Z34	WB/WT#	AA05
BRDY#	X04	HIT#	AK06	PM0/BP0	Q03		
Clock Control							
		CLK				AK18	
		BF0				Y33	
		BF1				X34	
		STPCLK#				V34	



MOBILE PENTIUM® PROCESSOR WITH MMX™ TECHNOLOGY

Table 4. PPGA Pin Cross Reference by Pin Name (Contd.)

V _{CC2} ¹								
A17	A07	Q01	AA01	AN11				
A15	G01	S01	AC01	AN13				
A13	J01	U01	AE01	AN15				
A11	L01	W01	AG01	AN17				
A09	N01	Y01	AN09	AN19				
V _{CC3} ²								
A19	A27	J37	Q37	U37	AC37	AN27		
A21	A29	L37	S37	W37	AE37	AN25		
A23	E37	L33	T34	Y37	AG37	AN23		
A25	G37	N37	U33	AA37	AN29	AN21		
V _{SS}								
B06	B18	H02	P02	U35	Z36	AF36	AM12	AM24
B08	B20	H36	P36	V02	AB02	AH02	AM14	AM26
B10	B22	K02	R02	V36	AB36	AJ37	AM16	AM28
B12	B24	K36	R36	X02	AD02	AL37	AM18	AM30
B14	B26	M02	T02	X36	AD36	AM08	AM20	AN37
B16	B28	M36	T36	Z02	AF02	AM10	AM22	
NC								
A37		S35		AD04				
H34		Y03		AE03				
J33		Y35		AE35				
L35		W33		AL01				
Q35		W35		AL19				
R34		AA03		AM02				
S33		AC03		AN35				
INC								
A03	B02	C01	AN01	AN03	AN05			

NOTE:

1. These V_{CC2} pins are 2.45V inputs to the core, but may change to a different voltage on future offerings of this microprocessor family.
2. All V_{CC3} pins are 3.3V power inputs to the I/O.

4826175 0185189 172



3.4. Design Notes

For reliable operation, always connect unused inputs to an appropriate signal level. Unused active low inputs should be connected to V_{CC3}. Unused active HIGH inputs should be connected to GND (V_{SS}).

No Connect (NC) pins must remain unconnected. Connection of NC and INC pins may result in component failure or incompatibility with processor steppings.

3.5. Quick Pin Reference

This section gives a brief functional description of each of the pins. For a detailed description, see the Hardware Interface chapter in the *Pentium® Processor Family Developer's Manual*.

Note

All input pins must meet their AC/DC specifications to guarantee proper functional behavior.

The # symbol at the end of a signal name indicates that the active or asserted state occurs when the signal is at a low voltage. When a # symbol is not present after the signal name, the signal is active, or asserted at the high voltage level. Square brackets around a signal name indicate that the signal is defined only at RESET.

The pins are classified as Input or Output based on their function in Master Mode. See the Error Detection chapter of the *Pentium® Processor Family Developer's Manual*, for further information.



MOBILE PENTIUM® PROCESSOR WITH MMX™ TECHNOLOGY

Table 5. Quick Pin Reference

Symbol	Type	Name and Function
A20M#	I	When the address bit 20 mask pin is asserted, the mobile Pentium® processor with MMX™ technology emulates the address wraparound at 1 Mbyte which occurs on the 8086. When A20M# is asserted, the processor masks physical address bit 20 (A20) before performing a lookup to the internal caches or driving a memory cycle on the bus. The effect of A20M# is undefined in protected mode. A20M# must be asserted only when the processor is in real mode.
A31-A3	I/O	As outputs, the address lines of the processor along with the byte enables define the physical area of memory or I/O accessed. The external system drives the inquire address to the processor on A31-A5.
ADS#	O	The address status indicates that a new valid bus cycle is currently being driven by the processor.
AHOLD	I	In response to the assertion of address hold , the processor will stop driving the address lines (A31-A3), and AP in the next clock. The rest of the bus will remain active so data can be returned or driven for previously issued bus cycles.
AP	I/O	Address parity is driven by the processor with even parity information on all processor generated cycles in the same clock that the address is driven. Even parity must be driven back to the processor during inquire cycles on this pin in the same clock as EADS# to ensure that correct parity check status is indicated.
APCHK#	O	The address parity check status pin is asserted two clocks after EADS# is sampled active if the processor has detected a parity error on the address bus during inquire cycles. APCHK# will remain active for one clock each time a parity error is detected.
BE7#-BE5# BE4#-BE0#	O I/O	The byte enable pins are used to determine which bytes must be written to external memory, or which bytes were requested by the CPU for the current cycle. The byte enables are driven in the same clock as the address lines (A31 -3).
BF[0:1]	I	The Bus Frequency pins determine the bus-to-core frequency ratio. BF [1:0] are sampled at RESET, and cannot be changed until another non-warm (1 ms) assertion of RESET. Additionally, BF[1:0] must not change values while RESET is active. See Table 6 for Bus Frequency Selection. In order to override the internal defaults and guarantee that the BF[0:1] inputs remain stable while RESET is active, these pins should be strapped directly to or through a pullup/pulldown resistor to VCC3 or ground. Driving these pins with active logic is not recommended unless stability during RESET can be guaranteed. During power up, RESET should be asserted prior to or ramped simultaneously with the core voltage supply to the processor.
BOFF#	I	The backoff input is used to abort all outstanding bus cycles that have not yet completed. In response to BOFF#, the processor will float all pins normally floated during bus hold in the next clock. The processor remains in bus hold until BOFF# is negated, at which time the processor restarts the aborted bus cycle(s) in their entirety.

Table 5. Quick Pin Reference (Contd.)

Symbol	Type	Name and Function
BP[3:2] PM/BP[1:0]	O	<p>The breakpoint pins (BP3-0) correspond to the debug registers, DR3-DR0. These pins externally indicate a breakpoint match when the debug registers are programmed to test for breakpoint matches.</p> <p>BP1 and BP0 are multiplexed with the performance monitoring pins (PM1 and PM0). The PB1 and PB0 bits in the Debug Mode Control Register determine if the pins are configured as breakpoint or performance monitoring pins. The pins come out of RESET configured for performance monitoring.</p>
BRDY#	I	The burst ready input indicates that the external system has presented valid data on the data pins in response to a read or that the external system has accepted the processor data in response to a write request. This signal is sampled in the T2, T12 and T2P bus states.
BREQ	O	The bus request output indicates to the external system that the processor has internally generated a bus request. This signal is always driven whether or not the processor is driving its bus.
BUSCHK#	I	<p>The bus check input allows the system to signal an unsuccessful completion of a bus cycle. If this pin is sampled active, the processor will latch the address and control signals in the machine check registers. If, in addition, the MCE bit in CR4 is set, the processor will vector to the machine check exception.</p> <p style="text-align: center;">NOTE:</p> <p>To assure that BUSCHK# will always be recognized, STPCLK# must be deasserted any time BUSCHK# is asserted by the system, before the system allows another external bus cycle. If BUSCHK# is asserted by the system for a snoop cycle while STPCLK# remains asserted, usually (if MCE=1) the processor will vector to the exception after STPCLK# is deasserted. But if another snoop to the same line occurs during STPCLK# assertion, the processor can lose the BUSCHK# request.</p>
CACHE#	O	For processor-initiated cycles, the cache pin indicates internal cacheability of the cycle (if a read), and indicates a burst writeback cycle (if a write). If this pin is driven inactive during a read cycle, the processor will not cache the returned data, regardless of the state of the KEN# pin. This pin is also used to determine the cycle length (number of transfers in the cycle).
CLK	I	<p>The clock input provides the fundamental timing for the processor. Its frequency is the operating frequency of the processor external bus and requires TTL levels. All external timing parameters except TDI, TDO, TMS, TRST# and PICD0-1 are specified with respect to the rising edge of CLK.</p> <p>This pin is 3.3V-tolerant-only on the Pentium processor with MMX technology.</p> <p style="text-align: center;">NOTE:</p> <p>It is recommended that CLK begin 150 ms after V_{CC} reaches its proper operating level. This recommendation is only to assure the long term reliability of the device.</p>
D/C	O	The data/code output is one of the primary bus cycle definition pins. It is driven valid in the same clock as the ADS# signal is asserted. D/C# distinguishes between data and code or special cycles.



Table 5. Quick Pin Reference (Contd.)

Symbol	Type	Name and Function
D63-D0	I/O	These are the 64 data lines for the processor. Lines D7-D0 define the least significant byte of the data bus; lines D63-D56 define the most significant byte of the data bus. When the CPU is driving the data lines, they are driven during the T2, T12 or T2P clocks for that cycle. During reads, the CPU samples the data bus when BRDY# is returned.
DP7-DP0	I/O	These are the data parity pins for the processor. There is one for each byte of the data bus. They are driven by the processor with even parity information on writes in the same clock as write data. Even parity information must be driven back to the Pentium processor with voltage reduction technology on these pins in the same clock as the data to ensure that the correct parity check status is indicated by the processor. DP7 applies to D63-D56; DP0 applies to D7-D0.
EADS#	I	This signal indicates that a valid external address has been driven onto the processor address pins to be used for an inquire cycle.
EWBE#	I	The external write buffer empty input, when inactive (high), indicates that a write cycle is pending in the external system. When the processor generates a write and EWBE# is sampled inactive, the processor will hold off all subsequent writes to all E- or M-state lines in the data cache until all write cycles have completed, as indicated by EWBE# being active.
FERR#	O	The floating-point error pin is driven active when an unmasked floating-point error occurs. FERR# is similar to the ERROR# pin on the Intel387™ math coprocessor. FERR# is included for compatibility with systems using MS-DOS type floating-point error reporting.
FLUSH#	I	When asserted, the cache flush input forces the processor to write back all modified lines in the data cache and invalidate its internal caches. A Flush Acknowledge special cycle will be generated by the processor indicating completion of the writeback and invalidation. NOTE: If FLUSH# is sampled low when RESET transitions from high to low, tristate test mode is entered.
HIT#	O	The hit indication is driven to reflect the outcome of an inquire cycle. If an inquire cycle hits a valid line in either the data or instruction cache, this pin is asserted two clocks after EADS# is sampled asserted. If the inquire cycle misses the cache, this pin is negated two clocks after EADS#. This pin changes its value only as a result of an inquire cycle and retains its value between the cycles.
HITM#	O	The hit to a modified line output is driven to reflect the outcome of an inquire cycle. It is asserted after inquire cycles which resulted in a hit to a modified line in the data cache. It is used to inhibit another bus master from accessing the data until the line is completely written back.
HLDA	O	The bus hold acknowledge pin goes active in response to a hold request driven to the processor on the HOLD pin. It indicates that the processor has floated most of the output pins and relinquished the bus to another local bus master. When leaving bus hold, HLDA will be driven inactive and the processor will resume driving the bus. If the processor has a bus cycle pending, it will be driven in the same clock that HLDA is de-asserted.



Table 5. Quick Pin Reference (Contd.)

Symbol	Type	Name and Function
HOLD	I	In response to the bus hold request , the processor will float most of its output and input/output pins and assert HLDA after completing all outstanding bus cycles. The processor will maintain its bus in this state until HOLD is de-asserted. HOLD is not recognized during LOCK cycles. The processor will recognize HOLD during reset.
IERR#	O	The internal error pin is used to indicate internal parity errors. If a parity error occurs on a read from an internal array, the processor will assert the IERR# pin for one clock and then shutdown.
IGNNE#	I	This is the ignore numeric error input. This pin has no effect when the NE bit in CR0 is set to 1. When the CR0.NE bit is 0, and the IGNNE# pin is asserted, the processor will ignore any pending unmasked numeric exception and continue executing floating-point instructions for the entire duration that this pin is asserted. When the CR0.NE bit is 0, IGNNE# is not asserted, a pending unmasked numeric exception exists (SW.ES = 1), and the floating-point instruction is one of FINIT, FCLEX, FSTENV, FSAVE, FSTSW, FSTCW, FENI, FDISI, or FSETPM, the processor will execute the instruction in spite of the pending exception. When the CR0.NE bit is 0, IGNNE# is not asserted, a pending unmasked numeric exception exists (SW.ES = 1), and the floating-point instruction is one other than FINIT, FCLEX, FSTENV, FSAVE, FSTSW, FSTCW, FENI, FDISI, or FSETPM, the processor will stop execution and wait for an external interrupt.
INIT	I	The processor initialization input pin forces the processor to begin execution in a known state. The processor state after INIT is the same as the state after RESET except that the internal caches, write buffers, and floating-point registers retain the values they had prior to INIT. INIT may NOT be used in lieu of RESET after power up. If INIT is sampled high when RESET transitions from high to low, the processor will perform built-in self test prior to the start of program execution.
INTR	I	An active maskable interrupt input indicates that an external interrupt has been generated. If the IF bit in the EFLAGS register is set, the processor will generate two locked interrupt acknowledge bus cycles and vector to an interrupt handler after the current instruction execution is completed. INTR must remain active until the first interrupt acknowledge cycle is generated to assure that the interrupt is recognized.
INV	I	The invalidation input determines the final cache line state (S or I) in case of an inquire cycle hit. It is sampled together with the address for the inquire cycle in the clock EADS# is sampled active.
KEN#	I	The cache enable pin is used to determine whether the current cycle is cacheable or not and is consequently used to determine cycle length. When the processor generates a cycle that can be cached (CACHE# asserted) and KEN# is active, the cycle will be transformed into a burst line fill cycle.



Table 5. Quick Pin Reference (Contd.)

Symbol	Type	Name and Function
LOCK#	O	The bus lock pin indicates that the current bus cycle is locked. The processor will not allow a bus hold when LOCK# is asserted (but AHOLD and BOFF# are allowed). LOCK# goes active in the first clock of the first locked bus cycle and goes inactive after the BRDY# is returned for the last locked bus cycle. LOCK# is guaranteed to be de-asserted for at least one clock between back-to-back locked cycles.
M/IO#	O	The memory/input-output is one of the primary bus cycle definition pins. It is driven valid in the same clock as the ADS# signal is asserted. M/IO# distinguishes between memory and I/O cycles.
NA#	I	An active next address input indicates that the external memory system is ready to accept a new bus cycle although all data transfers for the current cycle have not yet completed. The processor will issue ADS# for a pending cycle two clocks after NA# is asserted. The processor supports up to two outstanding bus cycles.
NMI	I	The non-maskable interrupt request signal indicates that an external non-maskable interrupt has been generated.
PCD	O	The page cache disable pin reflects the state of the PCD bit in CR3; Page Directory Entry or Page Table Entry. The purpose of PCD is to provide an external cacheability indication on a page-by-page basis.
PCHK#	O	The parity check output indicates the result of a parity check on a data read. It is driven with parity status two clocks after BRDY# is returned. PCHK# remains low one clock for each clock in which a parity error was detected. Parity is checked only for the bytes on which valid data is returned.
PEN#	I	The parity enable input (along with CR4.MCE) determines whether a machine check exception will be taken as a result of a data parity error on a read cycle. If this pin is sampled active in the clock, a data parity error is detected. The processor will latch the address and control signals of the cycle with the parity error in the machine check registers. If, in addition, the machine check enable bit in CR4 is set to "1", the processor will vector to the machine check exception before the beginning of the next instruction.
PM/BP[1:0]	O	These pins function as part of the performance monitoring feature. The breakpoint 1-0 pins are multiplexed with the performance monitoring 1-0 pins. The PB1 and PB0 bits in the Debug Mode Control Register determine if the pins are configured as breakpoint or performance monitoring pins. The pins come out of RESET configured for performance monitoring.
PRDY	O	The probe ready output pin indicates that the processor has stopped normal execution in response to the R/S# pin going active or Probe Mode being entered.
PWT	O	The page writethrough pin reflects the state of the PWT bit in CR3, the page directory entry, or the page table entry. The PWT pin is used to provide an external writeback indication on a page-by-page basis.



Table 5. Quick Pin Reference (Contd.)

Symbol	Type	Name and Function
R/S#	I	The run/stop input is provided for use with the Intel debug port. Please refer to the <i>Pentium® Processor Family Developer's Manual</i> (Order Number 241428) for more details.
RESET	I	RESET forces the processor to begin execution at a known state. All the processor internal caches will be invalidated upon the RESET. Modified lines in the data cache are not written back. FLUSH# and INIT are sampled when RESET transitions from high to low to determine if tristate test mode will be entered or if BIST will be run.
SCYC	O	The split cycle output is asserted during misaligned LOCKed transfers to indicate that more than two cycles will be locked together. This signal is defined for locked cycles only. It is undefined for cycles which are not locked.
SMI#	I	The system management interrupt causes a system management interrupt request to be latched internally. When the latched SMI# is recognized on an instruction boundary, the processor enters System Management Mode.
SMIACK#	O	An active system management interrupt active output indicates that the processor is operating in System Management Mode.
STPCLK#	I	Assertion of the stop clock input signifies a request to stop the internal clock of the Pentium processor with voltage reduction technology thereby causing the core to consume less power. When the CPU recognizes STPCLK#, the processor will stop execution on the next instruction boundary, unless superseded by a higher priority interrupt, and generate a Stop Grant Acknowledge cycle. When STPCLK# is asserted, the processor will still respond to external snoop requests.
TCK	I	The testability clock input provides the clocking function for the processor boundary scan in accordance with the IEEE Boundary Scan interface (Standard 1149.1). It is used to clock state information and data into and out of the processor during boundary scan.
TDI	I	The test data input is a serial input for the test logic. TAP instructions and data are shifted into the processor on the TDI pin on the rising edge of TCK when the TAP controller is in an appropriate state.
TDO	O	The test data output is a serial output of the test logic. TAP instructions and data are shifted out of the processor on the TDO pin on TCK's falling edge when the TAP controller is in an appropriate state.
TMS	I	The value of the test mode select input signal sampled at the rising edge of TCK controls the sequence of TAP controller state changes.
TRST#	I	When asserted, the test reset input allows the TAP controller to be asynchronously initialized.
VCC2	I	These pins are the 2.45V power inputs to the core.



MOBILE PENTIUM® PROCESSOR WITH MMX™ TECHNOLOGY

Table 5. Quick Pin Reference (Contd.)

Symbol	Type	Name and Function
VCC3	I	These pins are the 3.3V power inputs to the I/O.
VCCDET#	O	VCC2 detect is used in flexible motherboard implementations to configure the voltage output set-point appropriately for the VCC2 inputs of the processor. ¹
VSS	I	These pins are the ground inputs.
W/R#	O	Write/read is one of the primary bus cycle definition pins. It is driven valid in the same clock as the ADS# signal is asserted. W/R# distinguishes between write and read cycles.
WB/WT#	I	The writeback/writethrough input allows a data cache line to be defined as writeback or writethrough on a line-by-line basis. As a result, it determines whether a cache line is initially in the S or E state in the data cache.

NOTE:

1. Only in PPGA package.



3.6. Bus Frequency

Core and bus frequencies can be set according to Table 6 below. Each mobile Pentium processor with MMX technology specified to operate within a single bus-to-core ratio and a specific minimum to

maximum bus frequency range (corresponding to a minimum to maximum core frequency range). Operation in other bus-to-core ratios or outside the specified operating frequency range is not supported.

Table 6. Bus Frequency Selections

BF1	BF0	Bus/Core Ratio	Max Bus/Core Frequency (MHz)	Min Bus/Core Frequency (MHz)
0	0	2/5	60/150 66/166	30/75 33/83
0	1	1/3 ²	N/A ²	N/A ²
1	0	1/2 ¹	66/133	33/66
1	1	Reserved	Reserved	Reserved

NOTES:

1. This is the default bus to core ratio for the mobile Pentium® processor with MMX™ technology. If the BF pins are left floating, the processor will be configured for the 1/2 bus to core frequency ratio.
2. This bus ratio is currently not supported in mobile Pentium processors.



3.7. Pin Reference Tables

Table 7. Output Pins¹

Name	Active Level	When Floated
ADS#	Low	Bus Hold, BOFF#
APCHK#	Low	
BE7#-BE4#	Low	Bus Hold, BOFF#
BREQ	High	
CACHE#	Low	Bus Hold, BOFF#
FERR#	Low	
HIT#	Low	
HITM# ²	Low	
HLDA	High	
IERR#	Low	
LOCK#	Low	Bus Hold, BOFF#
M/IO#, D/C#, W/R#	n/a	Bus Hold, BOFF#
PCHK#	Low	
BP3-2, PM1/BP1, PM0/BP0	High	
PRDY	High	
PWT, PCD	High	Bus Hold, BOFF#
SCYC	High	Bus Hold, BOFF#
SMIACT#	Low	
TDO	n/a	All states except Shift-DR and Shift-IR

NOTE:

1. All output and input/output pins are floated during tristate test mode (except TDO).
2. HITM# pin has an internal pull-up resistor.

Table 8. Input Pins

Name	Active Level	Synchronous/ Asynchronous	Internal resistor	Qualified
A20M#	LOW	Asynchronous		
AHOLD	HIGH	Synchronous		
BF0	HIGH	Synchronous/RESET	PullDown	
BF1	HIGH	Synchronous/RESET	Pullup	
BOFF#	LOW	Synchronous		
BRDY#	LOW	Synchronous	Pullup	Bus State T2,T12,T2P
BUSCHK#	LOW	Synchronous	Pullup	BRDY#
CLK	n/a			
EADS#	LOW	Synchronous		
EWBE#	LOW	Synchronous		BRDY#
FLUSH#	LOW	Asynchronous		
HOLD	HIGH	Synchronous		
IGNNE#	LOW	Asynchronous		
INIT	HIGH	Asynchronous		
INTR	HIGH	Asynchronous		
INV	HIGH	Synchronous		EADS#
KEN#	LOW	Synchronous		First BRDY#/NA#
NA#	LOW	Synchronous		Bus State T2,TD,T2P
NMI	HIGH	Asynchronous		
PEN#	LOW	Synchronous		BRDY#
R/S#	n/a	Asynchronous	Pullup	
RESET	HIGH	Asynchronous		
SMI#	LOW	Asynchronous	Pullup	
STPCLK#	LOW	Asynchronous	Pullup	
TCK	n/a		Pullup	
TDI	n/a	Synchronous/TCK	Pullup	TCK
TMS	n/a	Synchronous/TCK	Pullup	TCK
TRST#	LOW	Asynchronous	Pullup	
WB/WT#	n/a	Synchronous		First BRDY#/NA#



MOBILE PENTIUM® PROCESSOR WITH MMX™ TECHNOLOGY

Table 9. Input/Output Pins¹

Name	Active Level	When Floated	Qualified (when an input)	Internal Resistor
A31-A3	n/a	Address Hold, Bus Hold, BOFF#	EADS#	
AP	n/a	Address Hold, Bus Hold, BOFF#	EADS#	
BE3#-BE0#	Low	Bus Hold, BOFF#	RESET	Pulldown ²
D63-D0	n/a	Bus Hold, BOFF#	BRDY#	
DP7-DP0	n/a	Bus Hold, BOFF#	BRDY#	

NOTES:

1. All output and input/output pins are floated during tristate test mode (except TDO).
2. BE3#-BE0# have pulldowns during RESET only.

3.8. Pin Grouping According to Function

Table 10 organizes the pins with respect to their function.

Table 10. Pin Functional Grouping

Function	Pins
Clock	CLK
Initialization	RESET, INIT, BF[1:0]
Address Bus	A31-A3, BE7# - BE0#
Address Mask	A20M#
Data Bus	D63-D0
Address Parity	AP, APCHK#
Data Parity	DP7-DP0, PCHK#, PEN#
Internal Parity Error	IERR#
System Error	BUSCHK#
Bus Cycle Definition	M/IO#, D/C#, W/R#, CACHE#, SCYC, LOCK#
Bus Control	ADS#, BRDY#, NA#
Page Cacheability	PCD, PWT
Cache Control	KEN#, WB/WT#
Cache Snooping/Consistency	AHOLD, EADS#, HIT#, HITM#, INV
Cache Flush	FLUSH#
Write Ordering	EWBE#
Bus Arbitration	BOFF#, BREQ, HOLD, HLDA
Interrupts	INTR, NMI
Floating-point Error Reporting	FERR#, IGNNE#
System Management Mode	SMI#, SMIACT#
TAP Port	TCK, TMS, TDI, TDO, TRST#
Breakpoint/Performance Monitoring	PM0/BP0, PM1/BP1, BP3-2
Clock Control	STPCLK#
Debugging	R/S#, PRDY



4.0. ELECTRICAL SPECIFICATIONS

4.1. Maximum Ratings

The following values are stress ratings only. Functional operation at the maximum ratings is not implied nor guaranteed. Functional operating conditions are given in the AC and DC specification tables.

Extended exposure to the maximum ratings may affect device reliability. Furthermore, although the mobile Pentium processor with MMX technology contains protective circuitry to resist damage from Electrostatic Discharge (ESD), always take precautions to avoid high static voltages or electric fields.

- Case temperature under bias -65°C to 110°C
Storage temperature..... -65°C to 150°C
VCC3 Supply voltage with respect to VSS -0.5V to +4.6V
VCC2 Supply voltage with respect to VSS -0.5V to +3.7V
3V Only Buffer DC Input Voltage..... -0.5V to VCC3 and +0.5V not to exceed VCC3 max

WARNING

Stressing the device beyond the "Absolute Maximum Ratings" may cause permanent damage. These are stress ratings only. Operation beyond the "Operating Conditions" is not recommended and extended exposure beyond the "Operating Conditions" may affect device reliability.

4.2. DC Specifications

Tables 11, 12 and 13 list the DC specifications which apply to the mobile Pentium processor with MMX technology. The processor core operates at 2.45V internally while the I/O interface operates at 3.3V.

4.2.1. POWER SEQUENCING

There is no specific sequence required for powering up or powering down the VCC2 and VCC3 power supplies. However, for compatibility with future mobile processors, it is recommended that the VCC2 and VCC3 power supplies be either both ON or both OFF within one second of each other.

Table 11. VCC and TCASE Specifications

Table with 6 columns: Package, TCASE, Supply, Min Voltage, Max Voltage, Voltage Tolerance. Rows include TCP and PPGA packages with VCC2 and VCC3 supply specifications.

Table 12. 3.3V DC Specifications¹

Symbol	Parameter	Min	Max	Unit	Notes
V _{IL3}	Input Low Voltage	-0.3	0.8	V	TTL Level ⁵
V _{IH3}	Input High Voltage	2.0	V _{CC3} + 0.3	V	TTL Level ⁴
V _{OL3}	Output Low Voltage		0.4	V	TTL Level ²
V _{OH3}	Output High Voltage	2.4		V	TTL Level ³

NOTES:

1. See Table 11 for V_{CC} and T_{CASE} assumptions.
2. Parameter measured at -4 mA.
3. Parameter measured at 3 mA.
4. Parameter measured at nominal V_{CC3} which is 3.3V.
5. V_{IL3,max} for TCK is 0.6V.

Table 13. I_{CC} Specifications

Symbol	Parameter	Min	Max	Unit	Notes
I _{CC2}	Power Supply Current		3.3	A	133 MHz ¹
			3.7	A	150 MHz ¹
			4.1	A	166MHz ¹
I _{CC3}	Power Supply Current		0.4	A	133 MHz ¹
			0.37	A	150 MHz ¹
			0.4	A	166 MHz ¹

NOTE:

1. This value should be used for power supply design. It was determined using a worst case instruction mix and maximum V_{CC}. Power supply transient response and decoupling capacitors must be sufficient to handle the instantaneous current changes occurring during transitions from Stop Clock to full Active modes.



MOBILE PENTIUM® PROCESSOR WITH MMX™ TECHNOLOGY

Table 14. Power Dissipation Requirements for Thermal Design

Parameter	Typical ¹	Max ²	Unit	Frequency	Notes
Thermal Design Power	N/A	7.8	Watts	133 MHz	6, 7
		8.6	Watts	150 MHz	
		9.0	Watts	166 MHz	
Active Power	4.4 5.0 5.5	N/A	Watts	133 MHz	5
			Watts	150 MHz	
			Watts	166 MHz	
Stop Grant / Auto Halt Power	N/A	0.86	Watts	133 MHz	3
		0.93	Watts	150 MHz	
		1.00	Watts	166 MHz	
Stop Clock Power	0.02	0.05	Watts	133 MHz	4
				150 MHz	
				166 MHz	

NOTES:

1. This is the typical power dissipation in a system. This value is expected to be the average value that will be measured in a system using a typical device at V_{CC2} = 2.45V and V_{CC3} = 3.3V running typical applications. This value is highly dependent upon the specific system configuration. Typical power specifications are not tested.
2. Systems must be designed to thermally dissipate the maximum active power dissipation. It is determined using a worst-case instruction mix with V_{CC2} = 2.45V and V_{CC3} = 3.3V. The use of nominal V_{CC} in this measurement takes into account the thermal time constant of the package.
3. Stop Grant/Auto Halt Powerdown Power Dissipation is determined by asserting the STPCLK# pin or executing the HALT instruction. To achieve these values the TR12 Bit21 must be set high. Otherwise Stop Grant Power will be higher: 133 MHz = 1.50W, 150 MHz = 1.60W, 166 MHz = 1.75W. TR12 Bit21 is only supported in B-Step and later.
4. Maximum stop clock power dissipation is measured at 50 °C. At maximum temperature of 95 °C, processors will typically draw 90mW.
5. Active Power is the average power measured in a system using a typical device running typical applications under normal operating conditions at nominal V_{CC} and room temperature.
6. For TDP (typ) refer to the Mobile Design Consideration application note.
7. Thermal design power is referenced at nominal DC supply voltage standard values as shown (V_{CC2}=2.45V, V_{CC2}=3.3V). System designers may choose to operate anywhere within the allowable V_{CC2} range (2.285V to 2.665V) as long as adequate decoupling is used to maintain the voltage tolerance within this range.

Common power supply voltages include: V_{CC2}=2.45V +0.215V / - 0.165V
V_{CC2}=2.50V +/-0.165V

Actual TDP value will be higher as V_{CC2} nominal voltage is increased above the target value of 2.45V. Likewise, TDP value will decrease as V_{CC2} is lowered below the target value of 2.45V. For Example, a V_{CC2} of 2.5V will increase TDP(typ) by 300mW.

Table 15. Input and Output Characteristics

Symbol	Parameter	Min	Max	Unit	Notes
C_{IN}	Input Capacitance		15	pF	4
C_O	Output Capacitance		20	pF	4
$C_{I/O}$	I/O Capacitance		25	pF	4
C_{CLK}	CLK Input Capacitance		15	pF	4
C_{TIN}	Test Input Capacitance		15	pF	4
C_{TOUT}	Test Output Capacitance		20	pF	4
C_{TCK}	Test Clock Capacitance		15	pF	4
I_{LI}	Input Leakage Current		±15	µA	$0 < V_{IN} < V_{IL}$, $V_{IH} < V_{IN} < V_{CC3(1)}$
I_{LO}	Output Leakage Current		±15	µA	$0 < V_{IN} < V_{IL}$, $V_{IH} < V_{IN} < V_{CC3(1)}$
I_{IH}	Input Leakage Current		200	µA	$V_{IN} = 2.4V$ (3)
I_{IL}	Input Leakage Current		-400	µA	$V_{IN} = 0.4V$ (2,5)

NOTES:

1. This parameter is for inputs/outputs without an internal pull up or pull down.
2. This parameter is for inputs with an internal pull up.
3. This parameter is for inputs with an internal pull down.
4. Guaranteed by design.
5. This specification applies to the HITM# pin when it is driven as an input (e.g., in JTAG mode).

4.3. AC Specifications

The AC specifications of the mobile Pentium processor with MMX technology consist of setup times, hold times, and valid delays at 0 pF.

4.3.1. POWER AND GROUND

For clean on-chip power distribution, the TCP mobile Pentium processor with MMX technology has 37 V_{CC2} (core power), 42 V_{CC3} (3.3V power) and 72 V_{SS} (ground) inputs. The PPGA mobile Pentium processor with MMX technology has 28 V_{CC3} (I/O power), 25 V_{CC2} (core power) and 53 V_{SS} (ground) inputs. Power and ground connections must be made to all external V_{CC2} , V_{CC3} and V_{SS} pins. On the circuit board all V_{CC2} pins must be connected to a 2.45V V_{CC2} plane (or island) and all V_{CC3} pins must be connected to a 3.3V V_{CC3} plane. All V_{SS} pins must be connected to a V_{SS} plane. Please refer to Table 2 for the list of V_{CC2} , V_{CC3} and V_{SS} pins.

4.3.2. DECOUPLING RECOMMENDATIONS

Transient power surges can occur as the processor is executing instruction sequences or driving large loads. To mitigate these high frequency transients, liberal high frequency decoupling capacitors should be placed near the processor.

Low inductance capacitors and interconnects are recommended for best high frequency electrical performance. Inductance can be reduced by shortening circuit board traces between the processor and decoupling capacitors as much as possible.

These capacitors should be evenly distributed around each component on the power plane. Capacitor values should be chosen to ensure they eliminate both low and high frequency noise components.

Power transients also occur as the processor rapidly transitions from a low level of power consumption to a much higher level (or high to low power). A typical example would be entering or



exiting the Stop Grant state. Another example would be executing a HALT instruction, causing the processor to enter the Auto HALT Powerdown state, or transitioning from HALT to the Normal state. All of these examples may cause abrupt changes in the power being consumed by the processor. Note that the Auto HALT Powerdown feature is always enabled even when other power management features are not implemented.

Bulk storage capacitors with a low ESR (Effective Series Resistance) in the 10 to 100 μ f range are required to maintain a regulated supply voltage during the interval between the time the current load changes and the point that the regulated power supply output can react to the change in load. In order to reduce the ESR, it may be necessary to place several bulk storage capacitors in parallel.

These capacitors should be placed near the processor (on the 3.3V plane and the 2.45V plane) to ensure that the supply voltages stay within specified limits during changes in the supply current during operation.

For more detailed information, please contact Intel or refer to the *Mobile Pentium® Processor with MMX™ Technology: Power Supply Design Considerations* application note (Order Number 243306).

4.3.3. CONNECTION SPECIFICATIONS

All NC pins must remain unconnected.

For reliable operation, always connect unused inputs to an appropriate signal level. Unused active low inputs should be connected to V_{CC3} . Unused active high inputs should be connected to ground.

4.3.4. AC TIMINGS FOR A 60-MHZ BUS

The AC specifications given in Table 16 consists of output delays, input setup requirements and input hold requirements for a 60 MHz external bus. All AC specifications (with the exception of those for the TAP signals and APIC signals) are relative to the rising edge of the CLK input.

All timings are referenced to 1.5V for both "0" and "1" logic levels unless otherwise specified. Within the sampling window, a synchronous input must be stable for correct operation.

Each valid delay is specified for a 0 pF load. The system designer should use I/O buffer modeling to account for signal flight time delays. Do not select a bus fraction and clock speed which will cause the processor to exceed its internal maximum frequency.



**Table 16. Mobile Pentium® Processor with MMX™ Technology
AC Specifications for 60-MHz Bus Operation**

See Table 11 for V_{CC} and T_{CASE} Specifications, $C_L = 0$ pF

Symbol	Parameter	Min	Max	Unit	Figure	Notes
	Frequency	30.0	60.0	MHz		
t _{1a}	CLK Period	16.67	33.33	nS	5	
t _{1b}	CLK Period Stability		± 250	pS	5	Adjacent Clocks, (1, 18)
t ₂	CLK High Time	4.0		nS	5	@2V, (1)
t ₃	CLK Low Time	4.0		nS	5	@0.8V, (1)
t ₄	CLK Fall Time	0.15	1.5	nS	5	(2.0V-0.8V), (1)
t ₅	CLK Rise Time	0.15	1.5	nS	5	(0.8V-2.0V), (1)
t _{6a}	ADS#, PWT, PCD, BE0-7#, M/IO#, D/C#, CACHE#, SCYC, W/R# Valid Delay	1.0	7.0	nS	6	17
t _{6b}	AP Valid Delay	1.0	8.5	nS	6	17
t _{6c}	LOCK# Valid Delay	1.1	7.0	nS	6	17
t _{6e}	A3-A31 Valid Delay	1.1	7.0	nS	6	17



MOBILE PENTIUM® PROCESSOR WITH MMX™ TECHNOLOGY

Table 16. Mobile Pentium® Processor with MMX™ Technology
AC Specifications for 60-MHz Bus Operation (Contd.)

See Table 11 for V_{CC} and T_{CASE} Specifications, C_L = 0 pF

Symbol	Parameter	Min	Max	Unit	Figure	Notes
t ₇	ADS#, AP, A3-A31, PWT, PCD, BE0-7#, M/IO#, D/C#, W/R#, CACHE#, SCYC, LOCK# Float Delay		10.0	nS	7	1
t _{8a}	APCHK#, IERR#, FERR# Valid Delay	1.0	8.3	nS	6	4
t _{8b}	PCHK# Valid Delay	1.0	7.0	nS	6	4
t _{9a}	BREQ, HLDA Valid Delay	1.0	8.0	nS	6	4
t _{9b}	SMIACK# Valid Delay	1.0	7.6	nS	6	4
t _{10a}	HIT# Valid Delay	1.0	8.0	nS	6	
t _{10b}	HITM# Valid Delay	1.1	6.0	nS	6	17
t _{11a}	PM0-1, BP0-3 Valid Delay	1.0	10.0	nS	6	
t _{11b}	PRDY Valid Delay	1.0	8.0	nS	6	
t ₁₂	D0-D63, DP0-7 Write Data Valid Delay	1.3	8.3	nS	6	
t ₁₃	D0-D63, DP0-3 Write Data Float Delay		10.0	nS	7	1
t ₁₄	A5-A31 Setup Time	6.0		nS	8	
t ₁₅	A5-A31 Hold Time	1.0		nS	8	
t _{16a}	INV, AP Setup Time	5.0		nS	8	
t _{16b}	EADS# Setup Time	5.5		nS	8	
t ₁₇	EADS#, INV, AP Hold Time	1.0		nS	8	
t _{18a}	KEN# Setup Time	5.0		nS	8	
t _{18b}	NA#, WB/WT# Setup Time	4.5		nS	8	
t ₁₉	KEN#, WB/WT#, NA# Hold Time	1.0		nS	8	
t ₂₀	BRDY# Setup Time	5.0		nS	8	
t ₂₁	BRDY# Hold Time	1.0		nS	8	
t ₂₂	AHOLD, BOFF# Setup Time	5.5		nS	8	
t ₂₃	AHOLD, BOFF# Hold Time	1.0		nS	8	
t ₂₄	BUSCHK#, EWBE#, HOLD, PEN# Setup Time	5.0		nS	8	



**Table 16. Mobile Pentium® Processor with MMX™ Technology
AC Specifications for 60-MHz Bus Operation (Contd.)**

See Table 11 for V_{CC} and T_{CASE} Specifications, $C_L = 0$ pF

Symbol	Parameter	Min	Max	Unit	Figure	Notes
t ₂₅	BUSCHK#, EWBE#, PEN# Hold Time	1.0		nS	8	
t _{25a}	HOLD Hold Time	1.5		nS	8	
t ₂₆	A20M#, INTR, STPCLK# Setup Time	5.0		nS	8	11,15
t ₂₇	A20M#, INTR, STPCLK# Hold Time	1.0		nS	8	12
t ₂₈	INIT, FLUSH#, NMI, SMI#, IGNNE# Setup Time	5.0		nS	8	11,12,16
t ₂₉	INIT, FLUSH#, NMI, SMI#, IGNNE# Hold Time	1.0		nS	8	12
t ₃₀	INIT, FLUSH#, NMI, SMI#, IGNNE# Pulse Width, Async	2.0		CLKs		11,16
t ₃₁	R/S# Setup Time	5.0		nS	8	9,11,16
t ₃₂	R/S# Hold Time	1.0		nS	8	12
t ₃₃	R/S# Pulse Width, Async	2.0		CLKs		11,16
t ₃₄	D0-D63, DP0-7 Read Data Setup Time	3.0		nS	8	
t ₃₅	D0-D63, DP0-7 Read Data Hold Time	1.5		nS	8	
t ₃₆	RESET Setup Time	5.0		nS	9	8,9,11
t ₃₇	RESET Hold Time	1.0		nS	9	8,12
t ₃₈	RESET Pulse Width, V_{CC} and CLK Stable	15.0		CLKs	9	8,16
t ₃₉	RESET Active After V_{CC} and CLK Stable	1.0		mS	9	Power up
t ₄₀	Reset Configuration Signals (INIT, FLUSH#) Setup Time	5.0		nS	9	9,11,16
t ₄₁	Reset Configuration Signals (INIT, FLUSH#) Hold Time	1.0		nS	9	12
t _{42a}	Reset Configuration Signals (INIT, FLUSH#) Setup Time, Async	2.0		CLKs	9	To RESET falling edge (11)



MOBILE PENTIUM[®] PROCESSOR WITH MMX[™] TECHNOLOGY

Table 16. Mobile Pentium[®] Processor with MMX[™] Technology
AC Specifications for 60-MHz Bus Operation (Contd.)

See Table 11 for V_{CC} and T_{CASE} Specifications, C_L = 0 pF

Symbol	Parameter	Min	Max	Unit	Figure	Notes
t _{42b}	Reset Configuration Signals (FLUSH#, BRDY#, INIT, BUSCHK#) Hold Time, Async	2.0		CLKs	9	To RESET falling edge
t _{42c}	Reset Configuration Signals (BRDY#, BUSCHK#) Setup Time, Async	3.0		CLKs	9	To RESET falling edge
t _{43a}	BF Setup Time to RESET falling edge	1.0		mS	9	To RESET falling edge (17)
t _{43b}	BF Hold Time to RESET falling edge	2.0		CLKs	9	To RESET falling edge (17)
t _{43c}	BE4# Setup Time	2.0		CLKs	9	
t _{43d}	BE4# Hold Time	2.0		CLKs	9	
t ₄₄	TCK Frequency	—	16.0	MHz		
t ₄₅	TCK Period	62.5		nS	5	
t ₄₆	TCK High Time	25.0		nS	5	at 2V, (1)
t ₄₇	TCK Low Time	25.0		nS	5	at 0.6V, (1)
t ₄₈	TCK Fall Time		5.0	nS	5	(2.0V-0.6V), (1, 7, 8)
t ₄₉	TCK Rise Time		5.0	nS	5	(0.6V-2.0V), (1, 5, 6)
t ₅₀	TRST# Pulse Width	40.0		nS	11	(1), Asynchronous
t ₅₁	TDI, TMS Setup Time	5.0		nS	10	4
t ₅₂	TDI, TMS Hold Time	13.0		nS	10	4
t ₅₃	TDO Valid Delay	3.0	20.0	nS	10	5
t ₅₄	TDO Float Delay		25.0	nS	10	1,5
t ₅₅	All Non-Test Outputs Valid Delay	3.0	20.0	nS	10	3,5,16
t ₅₆	All Non-Test Outputs Float Delay		25.0	nS	10	1,3,5,16
t ₅₇	All Non-Test Inputs Setup Time	5.0		nS	10	3,4,16
t ₅₈	All Non-Test Inputs Hold Time	13.0		nS	10	3,4,16

NOTES for TABLE 16:

Notes 2, 5, and 13 are general and apply to all standard TTL signals used with the Pentium® processor family.

1. Not 100% tested. Guaranteed by design/characterization.
2. TTL input test waveforms are assumed to be 0 to 3V transitions with 1V/ns rise and fall times.
3. Non-test outputs and inputs are the normal output or input signals (besides TCK, TRST#, TDI, TDO, and TMS). These timings correspond to the response of these signals due to boundary scan operations.
4. APCHK#, FERR#, HLDA, IERR#, LOCK#, and PCHK# are glitch-free outputs. Glitch-free signals monotonically transition without false transitions (i.e., glitches).
5. $0.3V/ns \leq \text{input rise/fall time} \leq 5V/ns$.
6. Referenced to TCK rising edge.
7. Referenced to TCK falling edge.
8. 1 ns can be added to the maximum TCK rise and fall times for every 10 MHz of frequency below 33 MHz.
9. During debugging, do not use the boundary scan timings (t55-58).
10. This is a flight time specification, that includes both flight time and clock skew. The flight time is the time from where the unloaded driver crosses 1.5V (50 percent of min V_{CC}), to where the receiver crosses the 1.5V level (50% of min V_{CC}). See Figure 10. The minimum flight time minus the clock skew must be greater than zero.
11. Setup time is required to guarantee recognition on a specific clock.
12. Hold time is required to guarantee recognition on a specific clock.
13. All TTL timings are referenced from 1.5V.
14. To guarantee proper asynchronous recognition, the signal must have been de-asserted (inactive) for a minimum of 2 clocks before being returned active and must meet the minimum pulse width.
15. This input may be driven asynchronously.
16. When driven asynchronously, RESET, NMI, FLUSH#, R/S#, INIT, and SMI# must be de-asserted (inactive) for a minimum of 2 clocks before being returned active.
17. BF0 and BF1 should be strapped to V_{CC3} or V_{SS} .
18. These signals are measured on the rising edge of adjacent CLKs at 1.5V. To ensure a 1:1 relationship between the amplitude of the input jitter and the internal and external clocks, the jitter frequency spectrum should not have any power spectrum peaking between 500 KHz and 1/3 of the CLK operating frequency. The amount of jitter present must be accounted for as a component of CLK skew between devices. The internal clock generator requires a constant frequency CLK input to within $\pm 250ps$. Therefore, the CLK input cannot be changed dynamically.

* Each valid delay is specified for a 0 pF load. The system designer should use I/O buffer models to account for signal flight time delays.

**4.3.5. AC TIMINGS FOR A 66-MHZ BUS**

The AC specifications given in Table 17 consist of output delays, input setup requirements and input hold requirements for a 66 MHz external bus. All AC specifications (with the exception of those for the TAP signals and APIC signals) are relative to the rising edge of the CLK input.

All timings are referenced to 1.5V for both "0" and "1" logic levels unless otherwise specified. Within the sampling window, a synchronous input must be stable for correct operation.

Each valid delay is specified for a 0 pF load. The system designer should use I/O buffer modeling to account for signal flight time delays. Do not select a bus fraction and clock speed which will cause the processor to exceed its internal maximum frequency.

**Table 17. Mobile Pentium® Processor with MMX™ Technology
AC Specifications for 66-MHz Bus Operation**

See Table 11 for V_{CC} and T_{CASE} Specifications, CL = 0 pF

Symbol	Parameter	Min	Max	Unit	Figure	Notes
	Frequency	33.33	66.66	MHz		
t _{1a}	CLK Period	15.0	30.0	nS	5	
t _{1b}	CLK Period Stability		± 250	pS	5	Adjacent Clocks (1, 15)
t ₂	CLK High Time	4.0		nS	5	2V(1)
t ₃	CLK Low Time	4.0		nS	5	0.8V(1)
t ₄	CLK Fall Time	0.15	1.5	nS	5	(2.0V–0.8V)(1)
t ₅	CLK Rise Time	0.15	1.5	nS	5	(0.8V–2.0V)(1)
t _{6a}	PWT, PCD, BE0-7#, D/C#, CACHE#, SCYC, W/R# Valid Delay	1.0	7.0	nS	6	
t _{6b}	AP Valid Delay	1.0	8.5	nS	6	
t _{6c}	LOCK# Valid Delay	1.1	7.0	nS	6	4
t _{6d}	ADS# Valid Delay	1.0	6.0	nS	6	
t _{6e}	A3-A31 Valid Delay	1.1	6.6	nS	6	
t _{6f}	M/IO# Valid Delay	1.0	5.9	nS	6	
t ₇	ADS#, ADSC#, AP, A3-A31, PWT, PCD, BE0-7#, M/IO#, D/C#, W/R#, CACHE#, SCYC, LOCK# Float Delay		10.0	nS	7	1
t _{8a}	APCHK#, IERR#, FERR# Valid Delay	1.0	8.3	nS	6	4



**Table 17. Mobile Pentium® Processor with MMX™ Technology
AC Specifications for 66-MHz Bus Operation (Contd.)**

See Table 11 for V_{CC} and T_{CASE} Specifications, C_L = 0 pF

Symbol	Parameter	Min	Max	Unit	Figure	Notes
t _{8b}	PCHK# Valid Delay	1.0	7.0	nS	6	4
t _{9a}	BREQ Valid Delay	1.0	8.0	nS	6	4
t _{9b}	SMIACK# Valid Delay	1.0	7.3	nS	6	4
t _{9c}	HLDA Valid Delay	1.0	6.8	nS	6	
t _{10a}	HIT# Valid Delay	1.0	6.8	nS	6	
t _{10b}	HITM# Valid Delay	1.1	6.0	nS	6	
t _{11a}	PM0-1, BP0-3 Valid Delay	1.0	10.0	nS	6	
t _{11b}	PRDY Valid Delay	1.0	8.0	nS	6	
t ₁₂	D0-D63, DP0-7 Write Data Valid Delay	1.3	8.0	nS	6	
t ₁₃	D0-D63, DP0-3 Write Data Float Delay		10.0	nS	7	1
t ₁₄	A5-A31 Setup Time	6.0		nS	8	
t ₁₅	A5-A31 Hold Time	1.0		nS	8	
t _{16a}	INV, AP Setup Time	5.0		nS	8	
t _{16b}	EADS# Setup Time	5.0		nS	8	
t ₁₇	EADS#, INV, AP Hold Time	1.0		nS	8	
t _{18a}	KEN# Setup Time	5.0		nS	8	
t _{18b}	NA#, WB/WT# Setup Time	4.5		nS	8	
t ₁₉	KEN#, WB/WT#, NA# Hold Time	1.0		nS	8	
t ₂₀	BRDY# Setup Time	5.0		nS	8	
t ₂₁	BRDY# Hold Time	1.0		nS	8	
t ₂₂	AHOLD, BOFF# Setup Time	5.5		nS	8	
t ₂₃	AHOLD, BOFF# Hold Time	1.0		nS	8	
t _{24a}	BUSCHK#, EWBE#, HOLD Setup Time	5.0		nS	8	
t _{24b}	PEN# Setup Time	4.8		nS	8	
t _{25a}	BUSCHK#, EWBE#, PEN# Hold Time	1.0		nS	8	
t _{25b}	HOLD Hold Time	1.5		nS	8	



MOBILE PENTIUM® PROCESSOR WITH MMX™ TECHNOLOGY

**Table 17. Mobile Pentium® Processor with MMX™ Technology
AC Specifications for 66-MHz Bus Operation (Contd.)**

See Table 11 for V_{CC} and T_{CASE} Specifications, C_L = 0 pF

Symbol	Parameter	Min	Max	Unit	Figure	Notes
t ₂₆	A20M#, INTR, STPCLK# Setup Time	5.0		nS	8	9,11
t ₂₇	A20M#, INTR, STPCLK# Hold Time	1.0		nS	8	12
t ₂₈	INIT, FLUSH#, NMI, SMI#, IGNNE# Setup Time	5.0		nS	8	9,11,16
t ₂₉	INIT, FLUSH#, NMI, SMI#, IGNNE# Hold Time	1.0		nS	8	12
t ₃₀	INIT, FLUSH#, NMI, SMI#, IGNNE# Pulse Width, Async	2.0		CLKs		11,16
t ₃₁	R/S# Setup Time	5.0		nS	8	9,11,16
t ₃₂	R/S# Hold Time	1.0		nS	8	12
t ₃₃	R/S# Pulse Width, Async.	2.0		CLKs		11,16
t ₃₄	D0-D63, DP0-7 Read Data Setup Time	2.8		nS	8	
t ₃₅	D0-D63, DP0-7 Read Data Hold Time	1.5		nS	8	
t ₃₆	RESET Setup Time	5.0		nS	9	9,11
t ₃₇	RESET Hold Time	1.0		nS	9	12
t ₃₈	RESET Pulse Width, V _{CC} & CLK Stable	15.0		CLKs	9	16
t ₃₉	RESET Active After V _{CC} & CLK Stable	1.0		mS	9	Power up
t ₄₀	Reset Configuration Signals (INIT, FLUSH#) Setup Time	5.0		nS	9	9,11,16
t ₄₁	Reset Configuration Signals (INIT, FLUSH#) Hold Time	1.0		nS	9	12
t _{42a}	Reset Configuration Signals (INIT, FLUSH#) Setup Time, Async.	2.0		CLKs	9	To RESET falling edge(11)
t _{42b}	Reset Configuration Signals (INIT, FLUSH#, BRDY#, BUSCHK#) Hold Time, Async.	2.0		CLKs	9	To RESET falling edge
t _{42c}	Reset Configuration Signals (BRDY#, BUSCHK#) Setup Time, Async.	3.0		CLKs	9	To RESET falling edge



**Table 17. Mobile Pentium® Processor with MMX™ Technology
AC Specifications for 66-MHz Bus Operation (Contd.)**

See Table 11 for V_{CC} and T_{CASE} Specifications, $C_L = 0$ pF

Symbol	Parameter	Min	Max	Unit	Figure	Notes
t _{42d}	Reset Configuration Signal Hold Time, RESET driven synchronously	1.0		nS	9	To RESET falling edge(1)
t _{43a}	BF0, BF1 Setup Time	1.0		mS	9	To RESET falling edge(17)
t _{43b}	BF0, BF1 Hold Time	2.0		CLKs		To RESET falling edge(17)
t _{43c}	BE4# Setup Time	2.0		CLKs		To RESET falling edge
t _{43d}	BE4# Hold Time	2.0		CLKs		To RESET falling edge
t ₄₄	TCK Frequency		16.0	MHz		
t ₄₅	TCK Period	62.5		nS	5	
t ₄₆	TCK High Time	25.0		nS	5	2V(1)
t ₄₇	TCK Low Time	25.0		nS	5	0.6V(1)
t ₄₈	TCK Fall Time		5.0	nS	5	(2.0V–0.6V) (1, 5, 6)
t ₄₉	TCK Rise Time		5.0	nS	5	(0.6V–2.0V) (1, 5, 6)
t ₅₀	TRST# Pulse Width	40.0		nS	1	Asynchronous(1)
t ₅₁	TDI, TMS Setup Time	5.0		nS	10	4
t ₅₂	TDI, TMS Hold Time	13.0		nS	10	4
t ₅₃	TDO Valid Delay	3.0	20.0	nS	10	5
t ₅₄	TDO Float Delay		25.0	nS	10	1,5
t ₅₅	All Non-Test Outputs Valid Delay	3.0	20.0	nS	10	3,5,7
t ₅₆	All Non-Test Outputs Float Delay		25.0	nS	10	1,3,5,7
t ₅₇	All Non-Test Inputs Setup Time	5.0		nS	10	3,4,7
t ₅₈	All Non-Test Inputs Hold Time	13.0		nS	10	3,4,7



NOTES for TABLE 17:

Notes 2, 5, and 13 are general and apply to all standard TTL signals used with the Pentium® processor family.

1. Not 100% tested. Guaranteed by design/characterization.
2. TTL input test waveforms are assumed to be 0 to 3V transitions with 1V/nS rise and fall times.
3. Non-test outputs and inputs are the normal output or input signals (besides TCK, TRST#, TDI, TDO, and TMS). These timings correspond to the response of these signals due to boundary scan operations.
4. APCHK#, FERR#, HLDA, IERR#, LOCK#, and PCHK# are glitch-free outputs. Glitch-free signals monotonically transition without false transitions (i.e., glitches).
5. $0.3V/ns \leq \text{input rise/fall time} \leq 5V/ns$.
6. Referenced to TCK rising edge.
7. Referenced to TCK falling edge.
8. 1 ns can be added to the maximum TCK rise and fall times for every 10 MHz of frequency below 33 MHz.
9. During debugging, do not use the boundary scan timings (t55-58).
10. This is a flight time specification, that includes both flight time and clock skew. The flight time is the time from where the unloaded driver crosses 1.5V (50% of min V_{CC}), to where the receiver crosses the 1.5V level (50% of min V_{CC}). See Figure 10. The minimum flight time minus the clock skew must be greater than zero.
11. Setup time is required to guarantee recognition on a specific clock.
12. Hold time is required to guarantee recognition on a specific clock.
13. All TTL timings are referenced from 1.5V.
14. To guarantee proper asynchronous recognition, the signal must have been de-asserted (inactive) for a minimum of 2 clocks before being returned active and must meet the minimum pulse width.
15. This input may be driven asynchronously.
16. When driven asynchronously, RESET, NMI, FLUSH#, R/S#, INIT, and SMI# must be de-asserted (inactive) for a minimum of 2 clocks before being returned active.
17. BF0 and BF1 should be strapped to V_{CC3} or V_{SS} .
18. These signals are measured on the rising edge of adjacent CLKs at 1.5V. To ensure a 1:1 relationship between the amplitude of the input jitter and the internal and external clocks, the jitter frequency spectrum should not have any power spectrum peaking between 500 KHz and 1/3 of the CLK operating frequency. The amount of jitter present must be accounted for as a component of CLK skew between devices. The internal clock generator requires a constant frequency CLK input to within $\pm 250ps$. Therefore, the CLK input cannot be changed dynamically.
19. Each valid delay is specified for a 0 pF load. The system designer should use I/O buffer models to account for signal flight time delays.

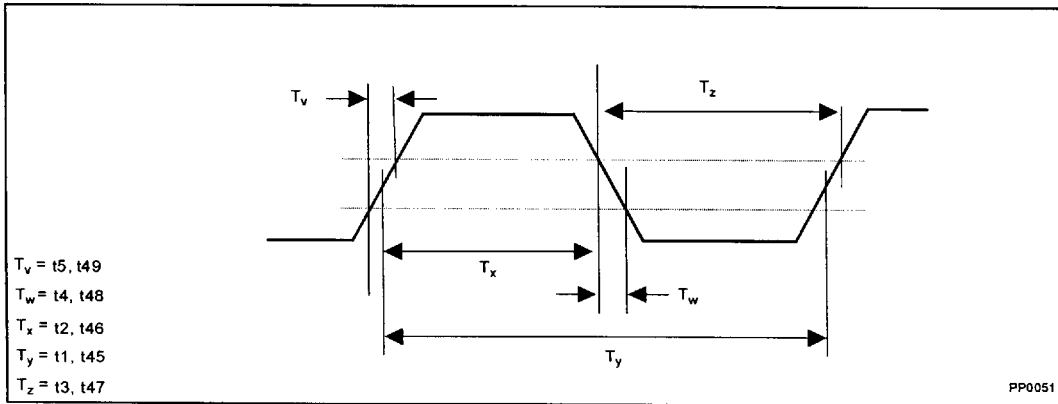


Figure 5. Clock Waveform

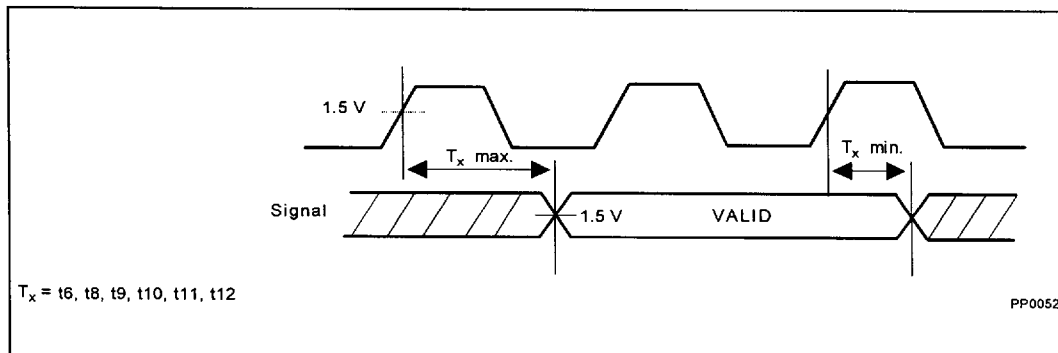


Figure 6. Valid Delay Timings



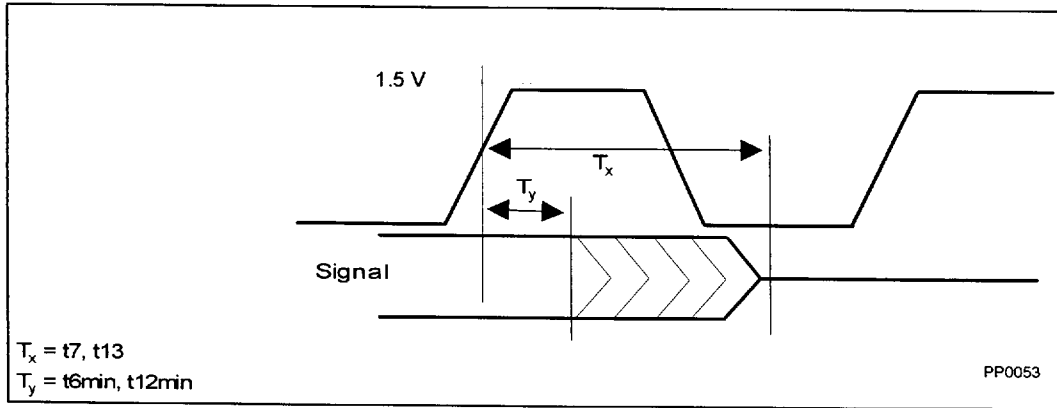


Figure 7. Float Delay Timings

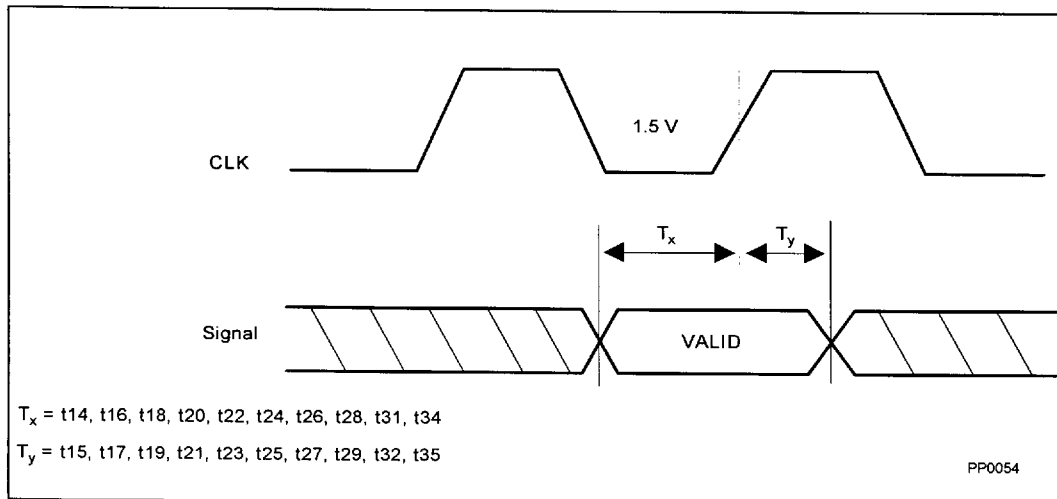


Figure 8. Setup and Hold Timings

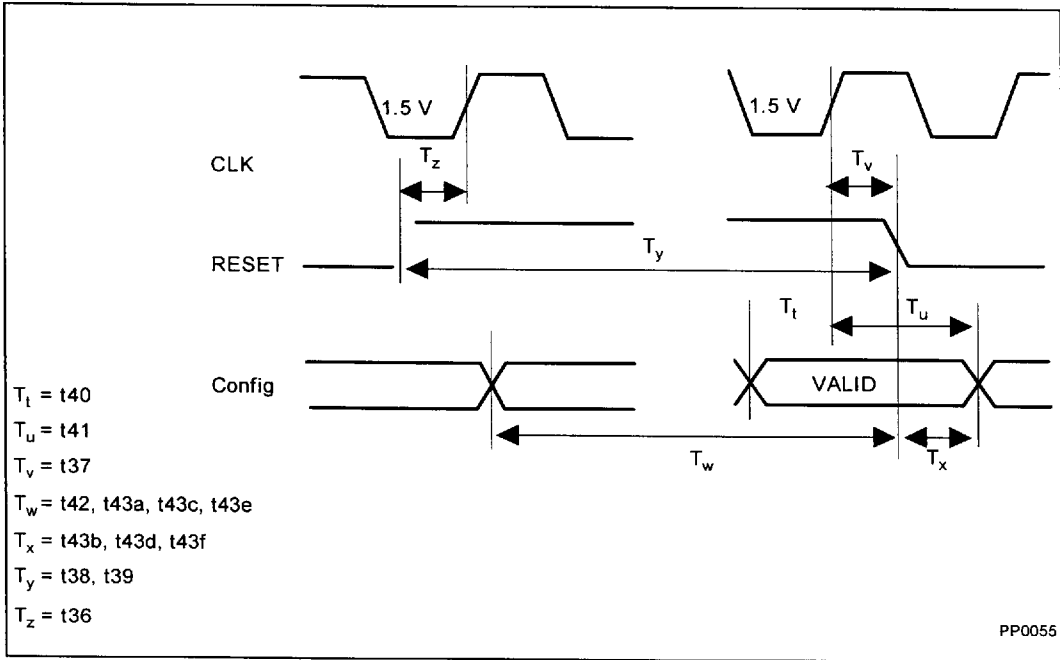


Figure 9. Reset and Configuration Timings

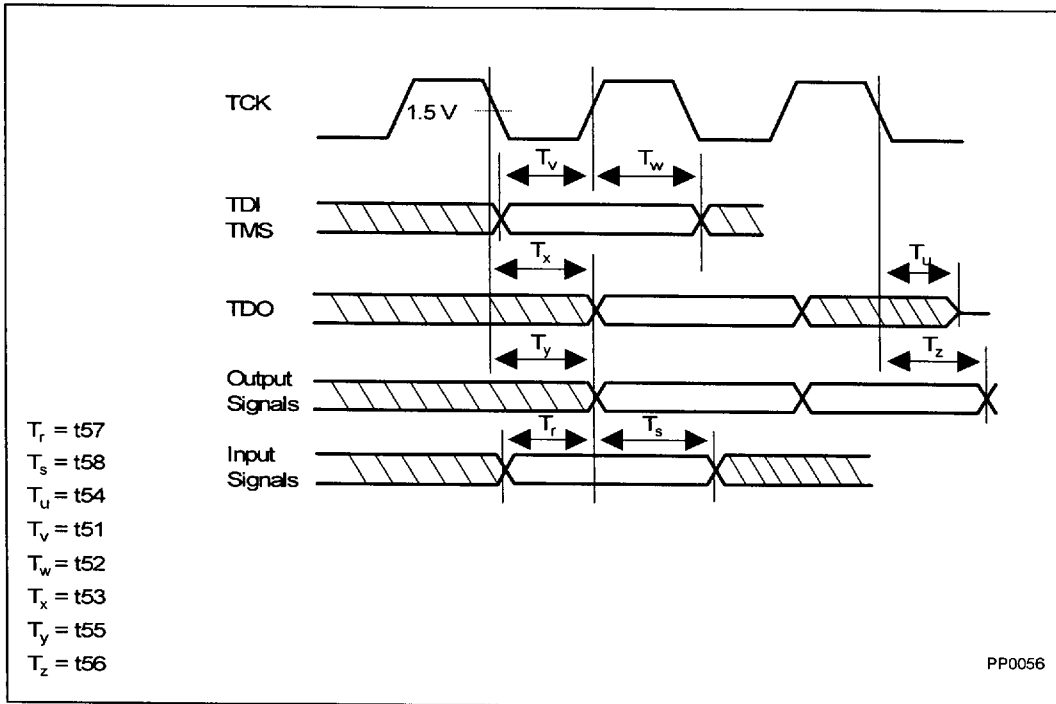


Figure 10. Test Timings

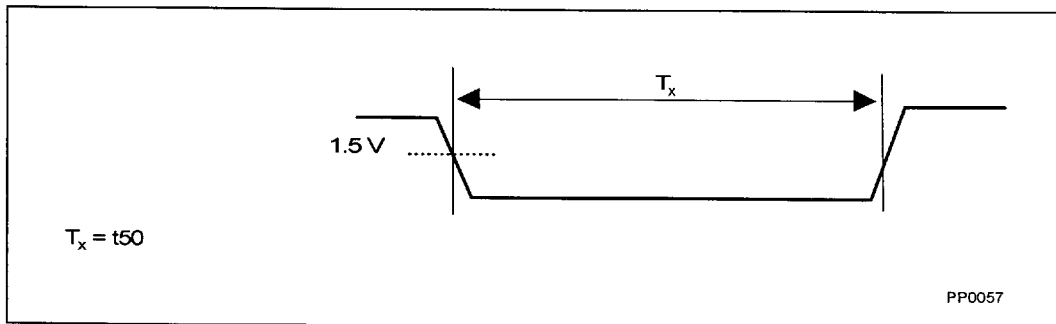


Figure 11. Test Reset Timings



4.4. I/O Buffer Models

This section describes the I/O buffer models of the mobile Pentium processor with MMX technology.

The first order I/O buffer model is a simplified representation of the complex input and output buffers used. Figure 12 shows the structure of the input buffer model and Figure 13 shows the output buffer model. Tables 18 and 19 show the parameters used to specify these models.

Although simplified, these buffer models will accurately model flight time and signal quality. For these parameters, there is very little added accuracy in a complete transistor model.

NOTE:

CLK is not 5V tolerant. It is 3.3V tolerant only.

The following model represents the input buffer model. Figure 12 represents all of the input buffers.

In addition to the input and output buffer parameters, input protection diode models are provided for added accuracy. These diodes have been optimized to provide ESD protection and provide some level of clamping. Although the diodes are not required for simulation, it may be more difficult to meet specifications without them.

Note, however, some signal quality specifications require that the diodes be removed from the input model. The series resistors (R_S) are a part of the diode model. Remove these when removing the diodes from the input model.

Figure 13 shows the structure of the output buffer model. This model is used for all of the output buffers of the mobile Pentium processor with MMX technology.

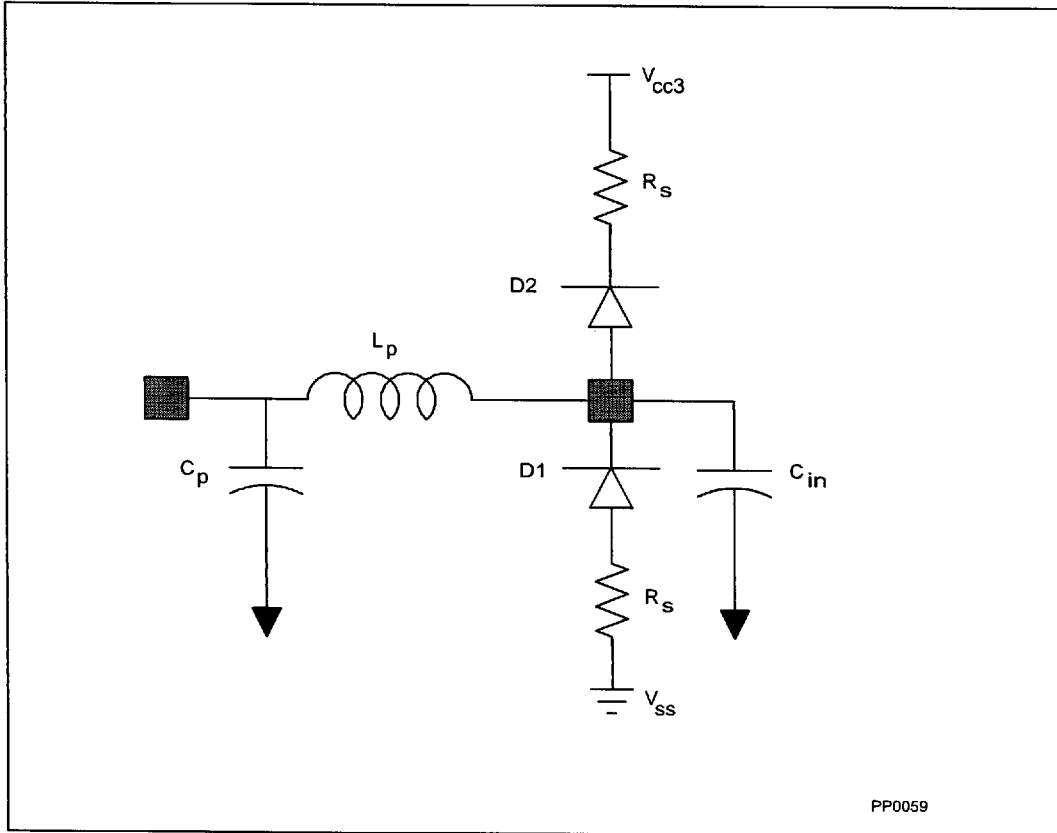
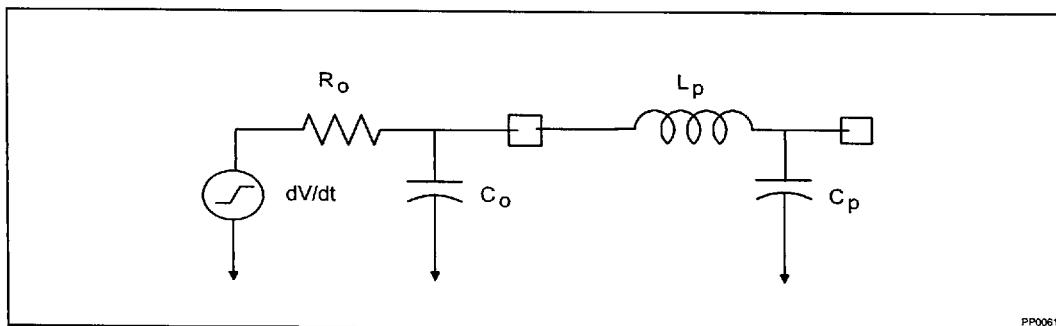


Figure 12. Input Buffer Model

Table 18. Parameters Used in the Specification of the First Order Input Buffer Model

Parameter	Description
C _{in}	Minimum and Maximum value of the capacitance of the input buffer model
L _p	Minimum and Maximum value of the package inductance
C _p	Minimum and Maximum value of the package capacitance
R _s	Diode Series Resistance
D1, D2	Ideal Diodes

**Figure 13. First Order Output Buffer Model****Table 19. Parameters Used in the Specification of the First Order Output Buffer Model**

Parameter	Description
dV/dt	Minimum and maximum value of the rate of change of the open circuit voltage source used in the output buffer model
R _O	Minimum and maximum value of the output impedance of the output buffer model
C _O	Minimum and Maximum value of the capacitance of the output buffer model
L _P	Minimum and Maximum value of the package inductance
C _P	Minimum and Maximum value of the package capacitance



4.4.1. BUFFER MODEL PARAMETERS

This section gives the parameters for each input, output and bidirectional buffers.

The input, output and bidirectional buffer values of the processor are listed in Table 21. These tables contain listings for all three types, do not get them confused during simulation. When a bidirectional pin is operating as an input, use the C_{IN}, C_P and L_P

values; if it is operating as a driver, use all of the data parameters.

Please refer to Table 20 for the groupings of the buffers.

The input, output and bi-directional buffer's values are listed below. These tables contain listings for all three types. When a bi-directional pin is operating as an input, just use the C_{IN}, C_P and L_P values, if it is operating as a driver use all the data parameters.

Table 20. TCP Signal to Buffer Type

Signals	Type	Driver Buffer Type	Receiver Buffer Type
CLK	I		ER0
A20M#, AHOLD, BF, BOFF#, BRDY#, BUSCHK#, EADS#, EWBE#, FLUSH#, HOLD, IGNNE#, INIT, INTR, INV, KEN#, NA#, NMI, PEN#, R/S#, RESET, SMI#, STPCLK#, TCK, TDI, TMS, TRST#, WB/WT#	I		ER1
APCHK#, BE[7:5]#, BP[3:2], BREQ, FERR#, IERR#, PCD, PCHK#, PM0/BP0, PM1/BP1, PRDY, PWT, SMIACT#, TDO	O	ED1	
A[31:21], AP, BE[4:0]#, CACHE#, D/C#, D[63:0], DP[8:0], HLDA, LOCK#, M/IO#, SCYC	I/O	EB1	EB1
A[20:3], ADS#, HITM#, W/R#	I/O	EB2	EB2
HIT#	I/O	EB3	EB3

Table 21. Input, Output and Bi-directional Buffer Model Parameters for TCP

Buffer Type	Transition	dV/dt (V/nsec)		Ro (Ohms)		Cp (pF)		Lp (nH)		Co/Cin (pF)	
		Min	Max	Min	Max	Min	Max	Min	Max	Min	Max
ER0 (input)	Rising					0.23	0.23	8.61	8.61	0.8	1.2
	Falling					0.23	0.23	8.61	8.61	0.8	1.2
ER1 (input)	Rising					0.16	0.38	5.75	10.22	0.8	1.2
	Falling					0.16	0.38	5.75	10.22	0.8	1.2
ED1 (output)	Rising	3/3.0	3.7/0.9	21.6	53.1	0.16	0.40	4.69	10.68	2.0	2.6
	Falling	3/2.8	3.7/0.8	17.5	50.7	0.16	0.40	4.69	10.68	2.0	2.6
EB1 (bidir)	Rising	3/3.0	3.7/0.9	21.6	53.1	0.16	0.36	4.53	9.21	2.0	2.6
	Falling	3/2.8	3.7/0.8	17.5	50.7	0.16	0.36	4.53	9.21	2.0	2.6
EB2 (bidir)	Rising	3/3.0	3.7/0.9	21.6	53.1	0.25	0.43	4.90	8.51	9.1	9.7
	Falling	3/2.8	3.7/0.8	17.5	50.7	0.25	0.43	4.90	8.51	9.1	9.7
EB3 (bidir)	Rising	3/3.0	3.7/0.9	21.6	53.1	0.25	0.25	4.97	4.97	3.3	3.9
	Falling	3/2.8	3.7/0.8	17.5	50.7	0.25	0.25	4.97	4.97	3.3	3.9



MOBILE PENTIUM® PROCESSOR WITH MMX™ TECHNOLOGY

Table 22. Input, Output and Bi-directional Buffer Model Parameters for PPGA Package

Buffer Type	Transition	dV/dt (V/nsec)		Ro (Ohms)		Cp (pF)		Lp (nH)		Co/CIN (pF)	
		Min	Max	Min	Max	Min	Max	Min	Max	Min	Max
ER0 (input)	Rising					3.0	5.0	4.0	7.2	0.8	1.2
	Falling					3.0	5.0	4.0	7.2	0.8	1.2
ER1 (input)	Rising					1.1	6.1	4.7	15.3	0.8	1.2
	Falling					1.1	6.1	4.7	15.3	0.8	1.2
ED1 (output)	Rising	3/3.0	3.7/0.9	21.6	53.1	1.1	8.2	4.0	17.7	2.0	2.6
	Falling	3/2.8	3.7/0.8	17.5	50.7	1.1	8.2	4.0	17.7	2.0	2.6
EB1 (bidir)	Rising	3/3.0	3.7/0.9	21.6	53.1	1.3	8.7	4.0	18.7	2.0	2.6
	Falling	3/2.8	3.7/0.8	17.5	50.7	1.3	8.7	4.0	18.7	2.0	2.6
EB2 (bidir)	Rising	3/3.0	3.7/0.9	21.6	53.1	1.3	8.3	4.4	16.7	9.1	9.7
	Falling	3/2.8	3.7/0.8	17.5	50.7	1.3	8.3	4.4	16.7	9.1	9.7
EB3 (bidir)	Rising	3/3.0	3.7/0.9	21.6	53.1	1.9	7.5	9.9	14.3	3.3	3.9
	Falling	3/2.8	3.7/0.8	17.5	50.7	1.9	7.5	9.9	14.3	3.3	3.9

Table 23. Input Buffer Model Parameters: D (Diodes)

Symbol	Parameter	D1	D2
IS	Saturation Current	1.4e-14A	2.78e-16A
N	Emission Coefficient	1.19	1.00
RS	Series Resistance	6.5 ohms	6.5 ohms
TT	Transit Time	3 ns	6 ns
VJ	PN Potential	0.983V	0.967V
CJ0	Zero Bias PN Capacitance	0.281 pF	0.365 pF
M	PN Grading Coefficient	0.385	0.376

4.4.2. SIGNAL QUALITY SPECIFICATIONS

Signals driven by the system into the mobile Pentium processor with MMX technology must meet signal quality specifications to guarantee that the components read data properly and to ensure that incoming signals do not affect the reliability of the component. There are two signal quality parameters: Ringback and Settling Time. See Section 4.4.2.3 for CLK signal quality specification.

4.4.2.1. Ringback

Excessive ringback can contribute to long-term reliability degradation of the mobile Pentium processor with MMX technology, and can cause false signal detection. Ringback is simulated at the input pin of a component using the input buffer model. Ringback can be simulated with or without the diodes that are in the input buffer model.

Ringback is the absolute value of the maximum voltage at the receiving pin below V_{CC3} (or above V_{SS}) relative to V_{CC3} (or V_{SS}) level after the signal

has reached its maximum voltage level. The input diodes are assumed present.

Maximum Ringback on Inputs = 0.8V
(with diodes)

If simulated without the input diodes, follow the Maximum Overshoot/Undershoot specification. By meeting the overshoot/undershoot specification, the signal is guaranteed not to ringback excessively.

If simulated with the diodes present in the input model, follow the maximum ringback specification.

Overshoot (Undershoot) is the absolute value of the maximum voltage above V_{CC3} (below V_{SS}). The guideline assumes the absence of diodes on the input.

- Maximum Overshoot/Undershoot on 3.3V mobile Pentium processor MMX technology Inputs (not CLK) = 1.4V above V_{CC3} (without diodes). Refer to Section 4.4.2.3 for 3.3V clock specification.

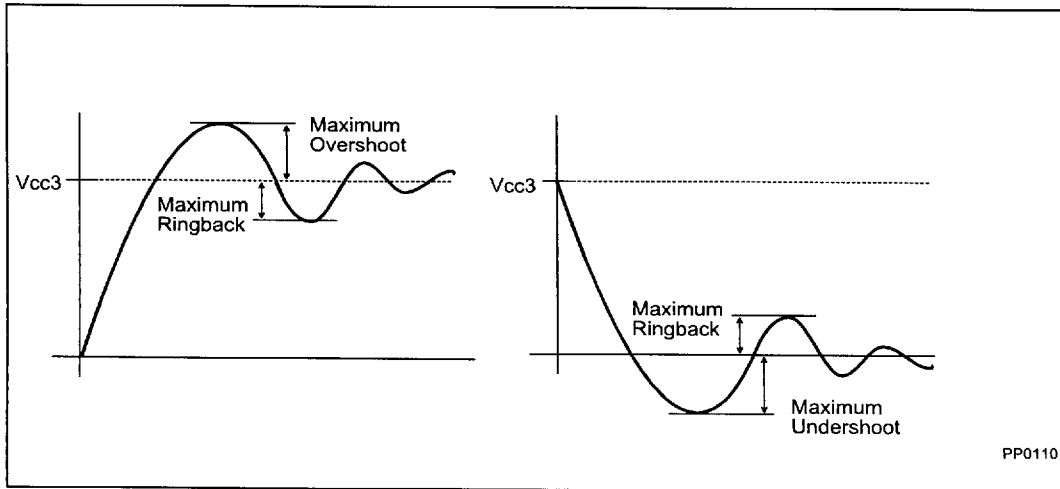


Figure 14. Overshoot/Undershoot and Ringback Guidelines



4.4.2.2. Settling Time

The settling time is defined as the time a signal requires at the receiver to settle within 10 percent of V_{CC3} or V_{SS} . Settling time is the maximum time allowed for a signal to reach within 10 percent of its final value.

Most available simulation tools are unable to simulate settling time so that it accurately reflects silicon measurements. On a physical board, second-order effects and other effects serve to dampen the signal at the receiver. Because of all these concerns, settling time is a recommendation or a tool for layout tuning and not a specification.

Settling time is simulated at the slow corner, to make sure that there is no impact on the flight times of the signals if the waveform has not settled. Settling time may be simulated with the diodes included or excluded from the input buffer model. If diodes are included, settling time recommendation will be easier to meet.

Although simulated settling time has not shown good correlation with physical, measured settling time, settling time simulations can still be used as a tool to tune layouts.

Use the following procedure to verify board simulation and tuning with concerns for settling time.

- Simulate settling time at the slow corner for a particular signal.
- If settling time violations occur (signal requires more than 12.5 ns. to settle to ± 10 percent of its final value), simulate signal trace with D.C. diodes in place at the receiver pin. The D.C. diode behaves almost identically to the actual (non-linear) diode on the part as long as excessive overshoot does not occur.
- If settling time violations still occur, simulate flight times for five consecutive cycles for that particular signal.
- If flight time values are consistent over the five simulations, settling time should not be a concern. If however, flight times are not consistent over the five simulations, tuning of the layout is required.
- Note that, for signals that are allocated two cycles for flight time, the recommended settling time is doubled.

Maximum Settling Time to within 10% of V_{IH} or V_{IL} is: 12.5 nS at 66 MHz
14.2 nS at 60 MHz

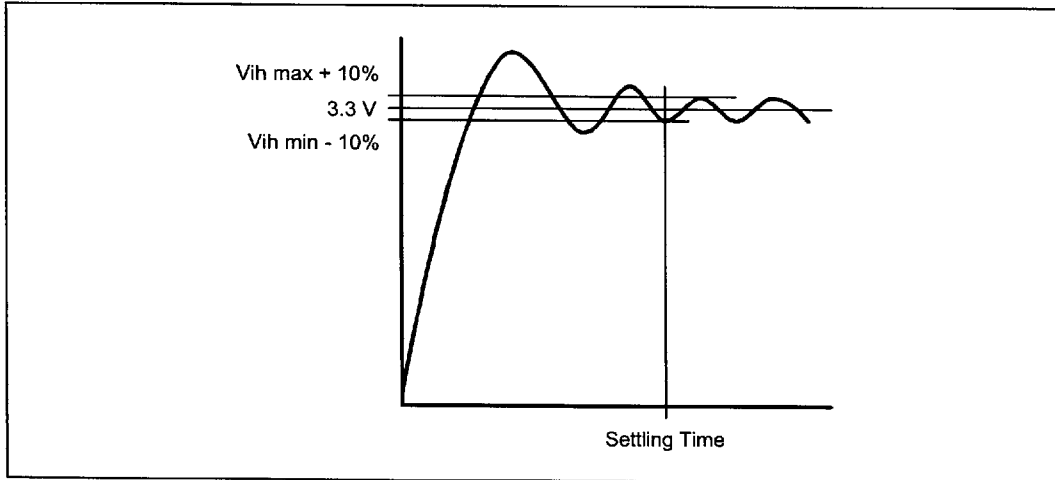


Figure 15. Settling Time

4.4.2.3. CLK Signal Quality Specification

The maximum overshoot, maximum undershoot, overshoot threshold duration, undershoot threshold duration, and maximum ringback specifications for CLK are described below:

MAXIMUM OVERSHOOT AND MAXIMUM UNDERSHOOT SPECIFICATION: The maximum overshoot of the CLK signals should not exceed $V_{CC3,nominal} + 0.9V$. The maximum undershoot of the CLK signals must not drop below $-0.9V$.

OVERSHOOT THRESHOLD DURATION SPECIFICATION: The overshoot threshold duration is defined as the sum of all time during which the CLK signal is above $V_{CC3,nominal} + 0.5V$ within a single clock period. The overshoot threshold duration must not exceed 20 percent of the period.

UNDERSHOOT THRESHOLD DURATION SPECIFICATION: The undershoot threshold duration is defined as the sum of all time during which the CLK signal is below $-0.5V$ within a single clock period. The undershoot threshold duration must not exceed 20 percent of the period.

MAXIMUM RINGBACK SPECIFICATION: The maximum ringback of CLK associated with their high states (overshoot) must not drop below $V_{CC3} - 0.8V$ as shown in Figure 17. Similarly, the maximum ringback of CLK associated with their low states (undershoot) must not exceed $0.8V$ as shown in Figure 19.

Refer to Table 24 and Table 25 for a summary of the clock overshoot and undershoot specifications for the Pentium processor with MMX technology.

Table 24. Overshoot Specification Summary

Specification Name	Value	Units	Notes
Threshold Level	$V_{CC3,nominal} + 0.5$	V	1,2
Maximum Overshoot Level	$V_{CC3,nominal} + 0.9$	V	1,2
Maximum Threshold Duration	20% of clock period above threshold voltage	nS	2



MOBILE PENTIUM® PROCESSOR WITH MMX™ TECHNOLOGY

Table 24. Overshoot Specification Summary

Specification Name	Value	Units	Notes
Maximum Ringback	$V_{CC3, nominal} - 0.8$	V	1,2

NOTES:

1. $V_{CC3, nominal}$ refers to the voltage measured at the bottom side of the V_{CC3} pins. See Section 7.1.2.1.1 for details.
2. See Figures 16 and 17.

Table 25. Undershoot Specification Summary

Specification Name	Value	Units	Notes
Threshold Level	-0.5	V	1
Minimum Undershoot Level	-0.9	V	1
Maximum Threshold Duration	20% of clock period below threshold voltage	nS	1
Maximum Ringback	0.8	V	1

NOTE:

1. See Figures 18 and Figure 19.



CLOCK SIGNAL MEASUREMENT METHODOLOGY: The waveform of the clock signals should be measured at the bottom side of the processor pins using an oscilloscope with a 3 dB bandwidth of at least 20 MHz (100 MS/s digital sampling rate). There should be a short isolation ground lead attached to a processor pin on the bottom side of the board. An 1 MOhm probe with loading of less than 1 pF (e.g., Tektronics 6243 or Tektronics 6245) is recommended. The measurement should be taken at the CLK (AK18) pin and its nearest V_{SS} pin (AM18).

MAXIMUM OVERSHOOT, MAXIMUM UNDERSHOOT AND MAXIMUM RINGBACK SPECIFICATIONS: The display should show continuous sampling (e.g., infinite persistence) of the waveform at 500 mV/div and 5 nS/div for a recommended duration of approximately five seconds. Adjust the vertical position to measure the maximum overshoot and associated ringback with the largest possible granularity. Similarly, readjust the vertical position to measure the maximum undershoot and associated ringback.

There is no allowance for crossing the maximum overshoot, maximum undershoot or maximum ringback specifications.

OVERSHOOT THRESHOLD DURATION SPECIFICATION: A snapshot of the clock signal should be taken at 500 mV/div and 500 pS/div. Adjust the vertical position and horizontal offset position to view the threshold duration. The overshoot threshold duration is defined as the sum of all time during which the clock signal is above V_{CC3,nominal} + 0.5V within a single clock period. The overshoot threshold duration must not exceed 20 percent of the period.

UNDERSHOOT THRESHOLD DURATION SPECIFICATION: A snapshot of the clock signal should be taken at 500 mV/div and 500 pS/div. Adjust the vertical position and horizontal offset position to view the threshold duration. The undershoot threshold duration is defined as the sum of all time during which the clock signal is below -0.5V within a single clock period. The undershoot threshold duration must not exceed 20 percent of the period.

These overshoot and undershoot specifications are illustrated graphically in Figures 16 through 19.

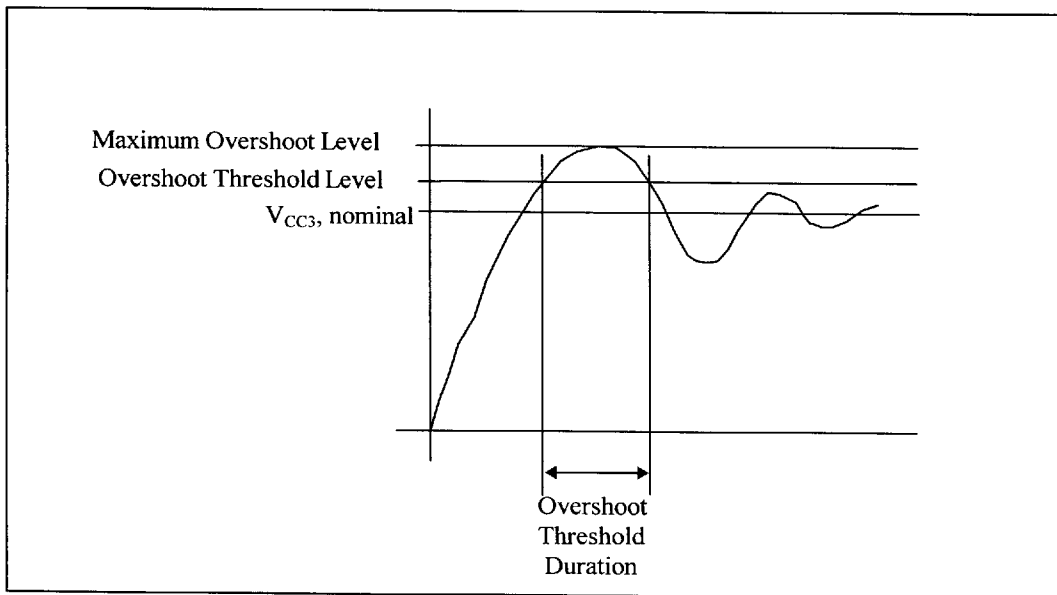


Figure 16. Maximum Overshoot Level, Overshoot Threshold Level, and Overshoot Threshold Duration

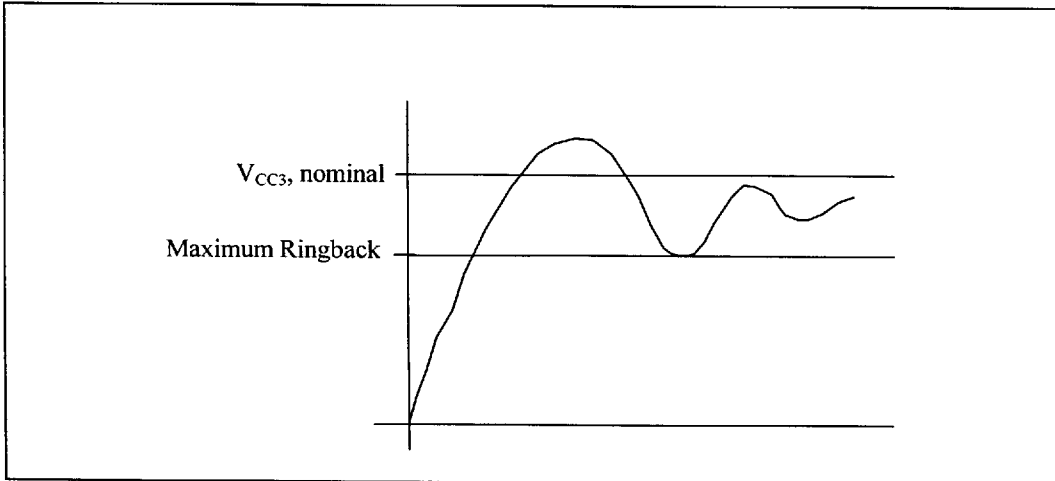


Figure 17. Maximum Ringback Associated with the Signal High State

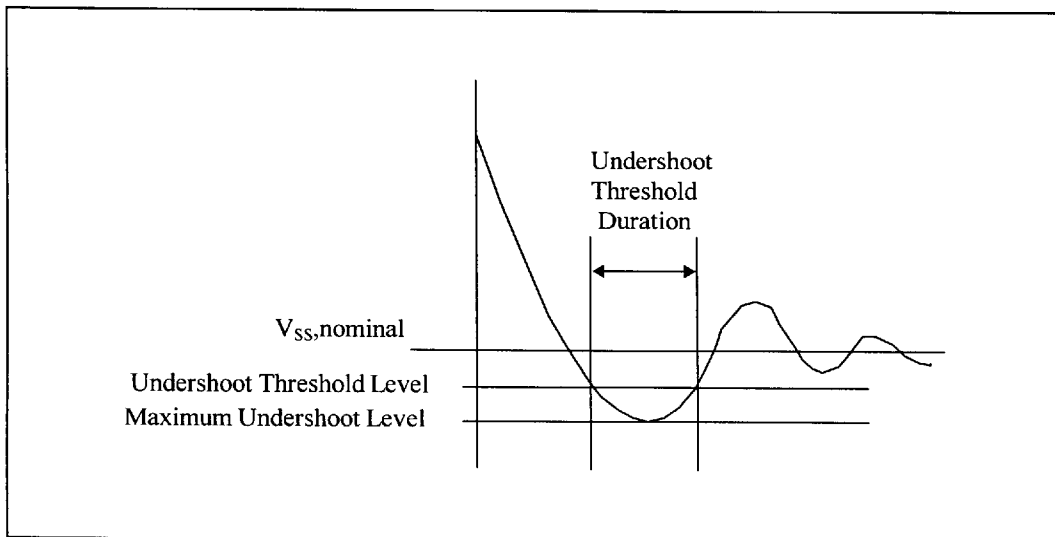


Figure 18. Maximum Undershoot Level, Undershoot Threshold Level, and Undershoot Threshold Duration

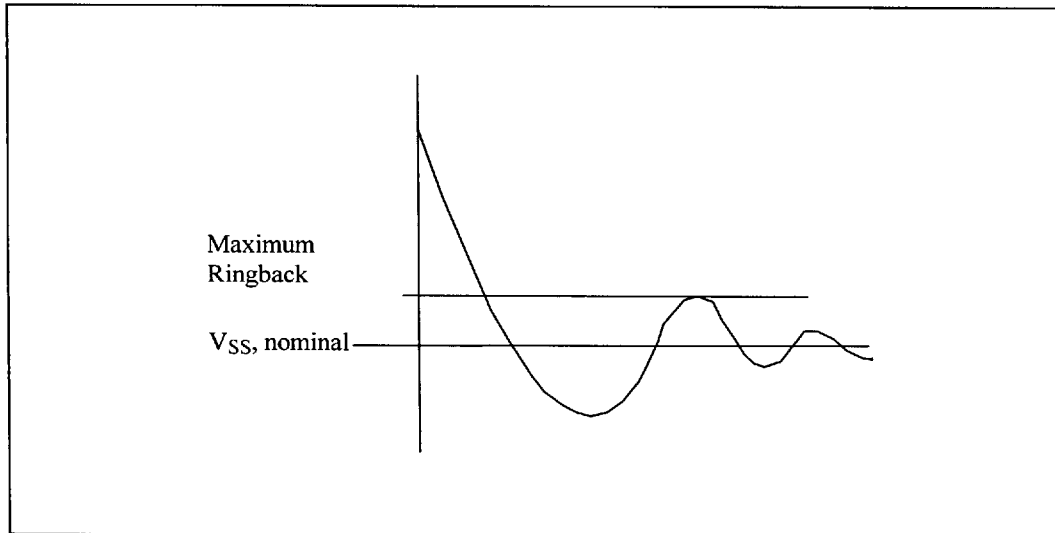


Figure 19. Maximum Ringback Associated with the Signal Low State

5.0. MECHANICAL SPECIFICATIONS

Today's portable computers face the challenge of meeting desktop performance in an environment that is constrained by thermal, mechanical and electrical design considerations. These considerations have driven the development and implementation of Intel's Tape Carrier Package (TCP). The Intel TCP has been designed to offer a high pin count, low profile, reduced footprint package with uncompromised thermal and electrical performance. Intel continues to provide packaging solutions that meet our rigorous criteria for quality and performance.

Key features of the TCP include: surface mount technology design, lead pitch of 0.25 mm, polyimide body size of 24 mm and polyimide up for pick-and-place handling. TCP components are shipped with the leads flat in slide carriers, and are designed to

be excised and lead formed at the customer manufacturing site. Recommendations for the manufacture of this package are included in the *1996 Packaging Databook* (Order Number 240800).

Figure 20 shows a cross-section view of the TCP as mounted on the Printed Circuit Board. Figures 21 and 22 show the TCP as shipped in its slide carrier, and key dimensions of the carrier and package. Figure 23 shows a cross-section detail of the package. Figure 24 shows an enlarged view of the outer lead bond area of the package.

5.1. TCP Mechanical Diagrams

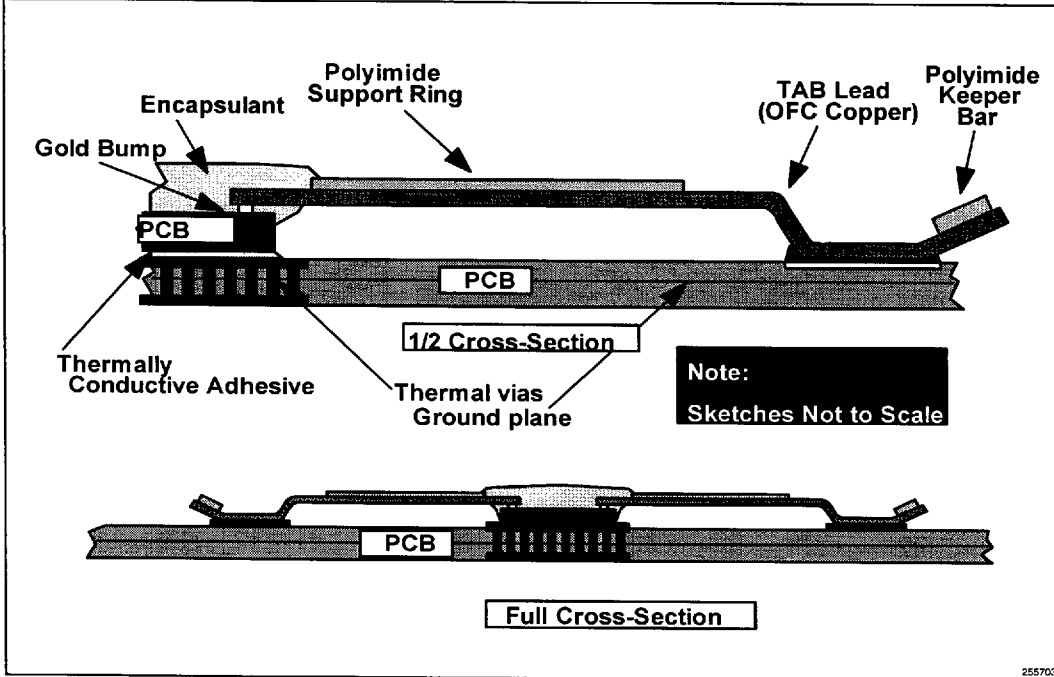


Figure 20. Cross-Sectional View of the Mounted TCP

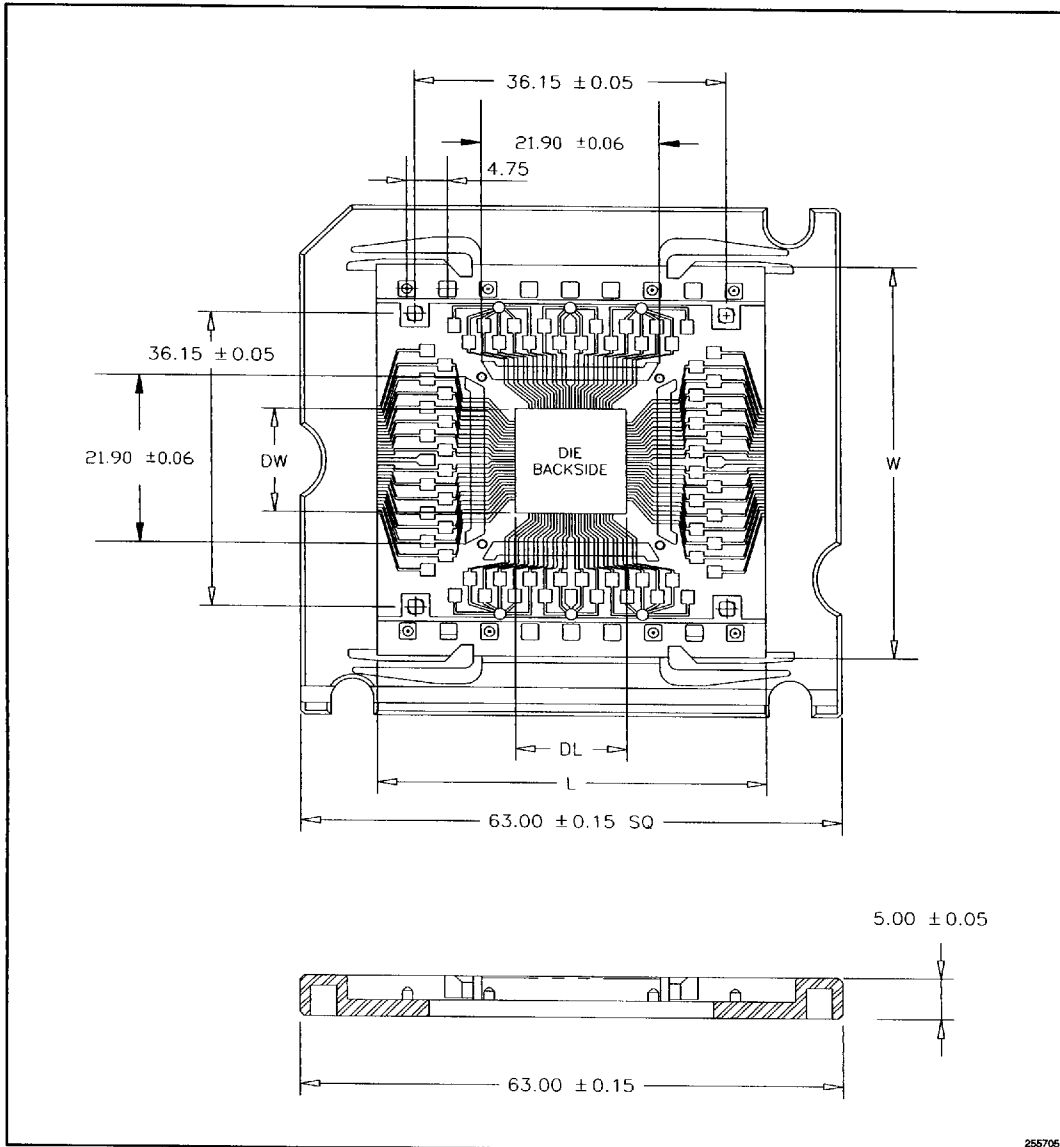


Figure 21. One TCP Site in Carrier (Bottom View of Die)

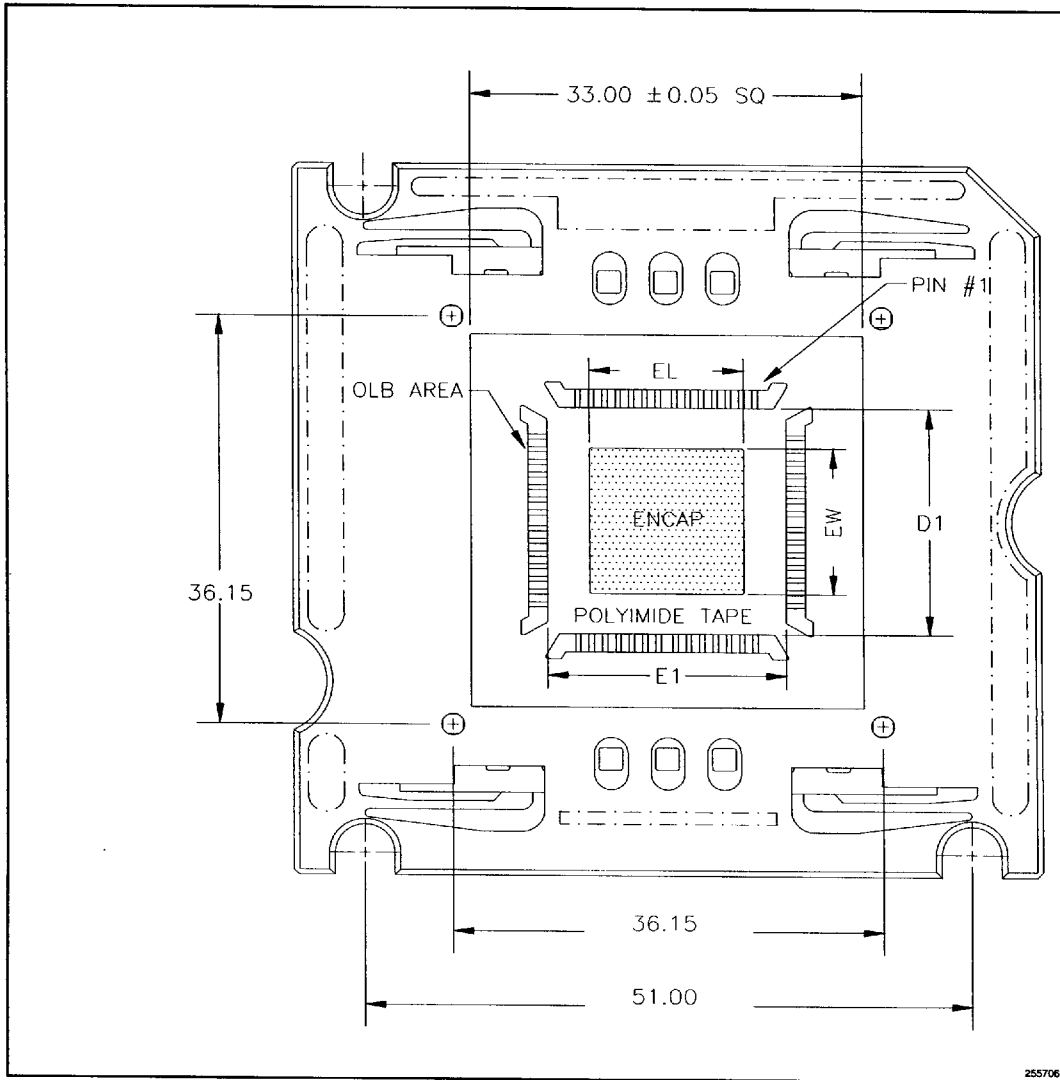


Figure 22. One TCP Site in Carrier (Top View of Die)

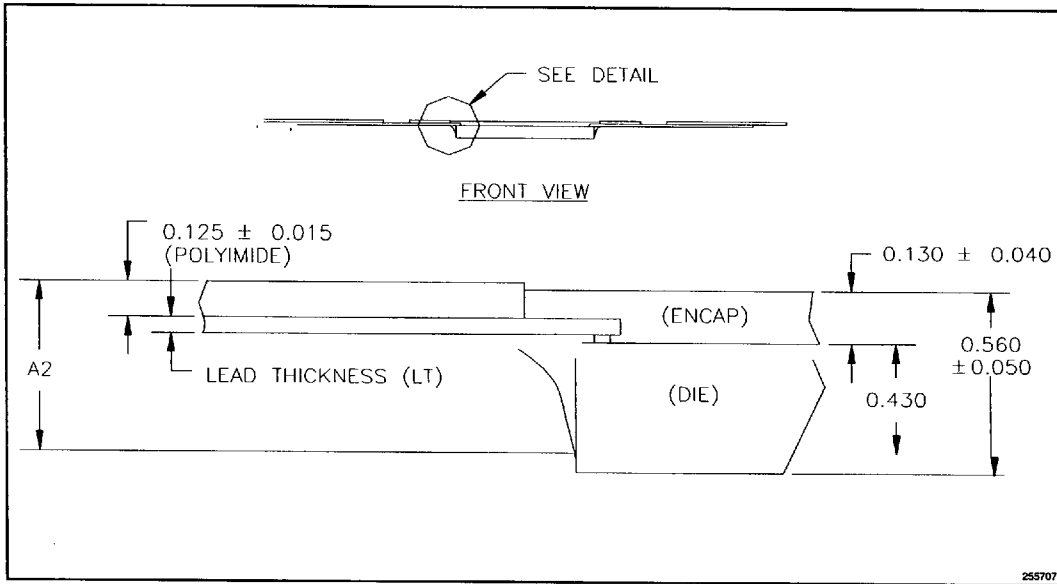


Figure 23. One TCP Site (Cross-Sectional Detail)

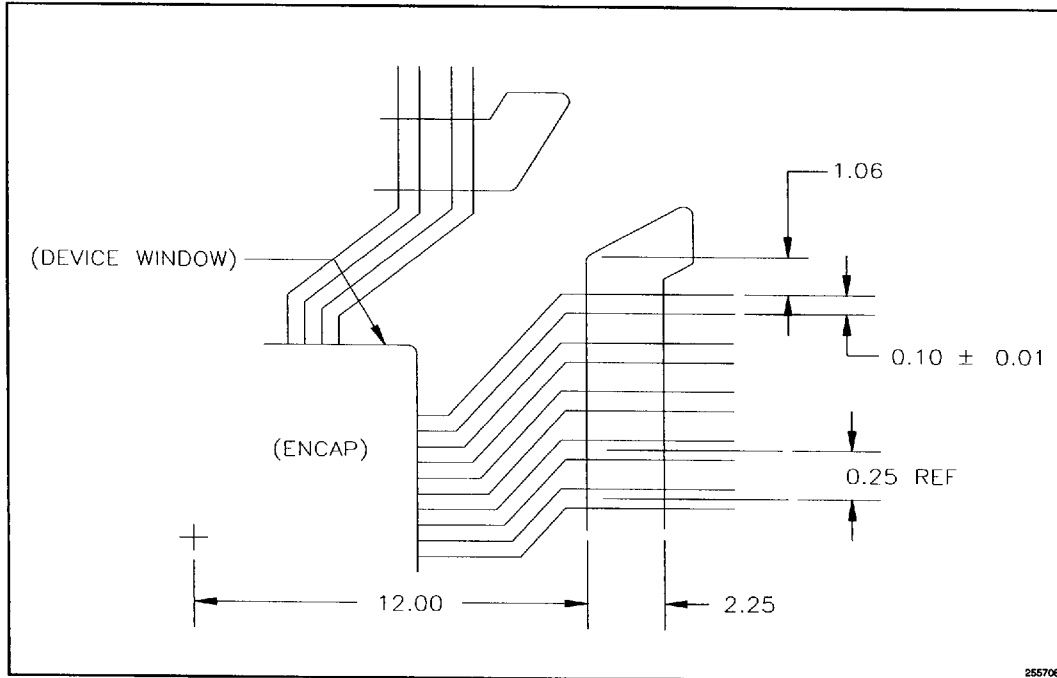


Figure 24. Outer Lead Bond (OLB) Window Detail

Table 26. TCP Key Dimensions

Symbol	Description	Dimension
N	Leadcount	320 leads
W	Tape Width	48.18 ±0.12
L	Site Length	(43.94) reference only
T	Test Pad Pitch	0.40 nominal
e1	Outer Lead Pitch	0.25 nominal
b	Outer Lead Width	0.10 ±0.01
D1,E1	Package Body Size	24.0 ±0.1
A2	Package Height	0.597 ±0.030
DL	Die Length	12.23772
DW	Die Width	10.57910
LT	Lead Thickness	0.025 mm
EL	Encap Length	13.46*
EW	Encap Width	11.71*

NOTES:

- Dimensions are in millimeters unless otherwise noted.
- Dimensions in parentheses are for reference only.

Table 27. Mounted TCP Dimensions

Symbol	Description	Dimension
A	Package Height	0.75 maximum
D, E	Terminal Dimension	29.5 nominal
WT	Package Weight	0.5 g maximum

NOTE:

- Dimensions are in millimeters unless otherwise noted.
- Package terminal dimension (lead tip-to-lead tip) assumes the use of a keeper bar.



5.2. Plastic Pin Grid Array (PPGA)

The mobile Pentium processor with MMX technology is also available in a 296-pin plastic pin grid array (PPGA) package. The pins are arranged

in a 37 by 37 matrix and the package dimensions are 1.95" x 1.95" (4.95 cm x 4.95 cm). Figures 25 and 26 show PPGA package dimensions.

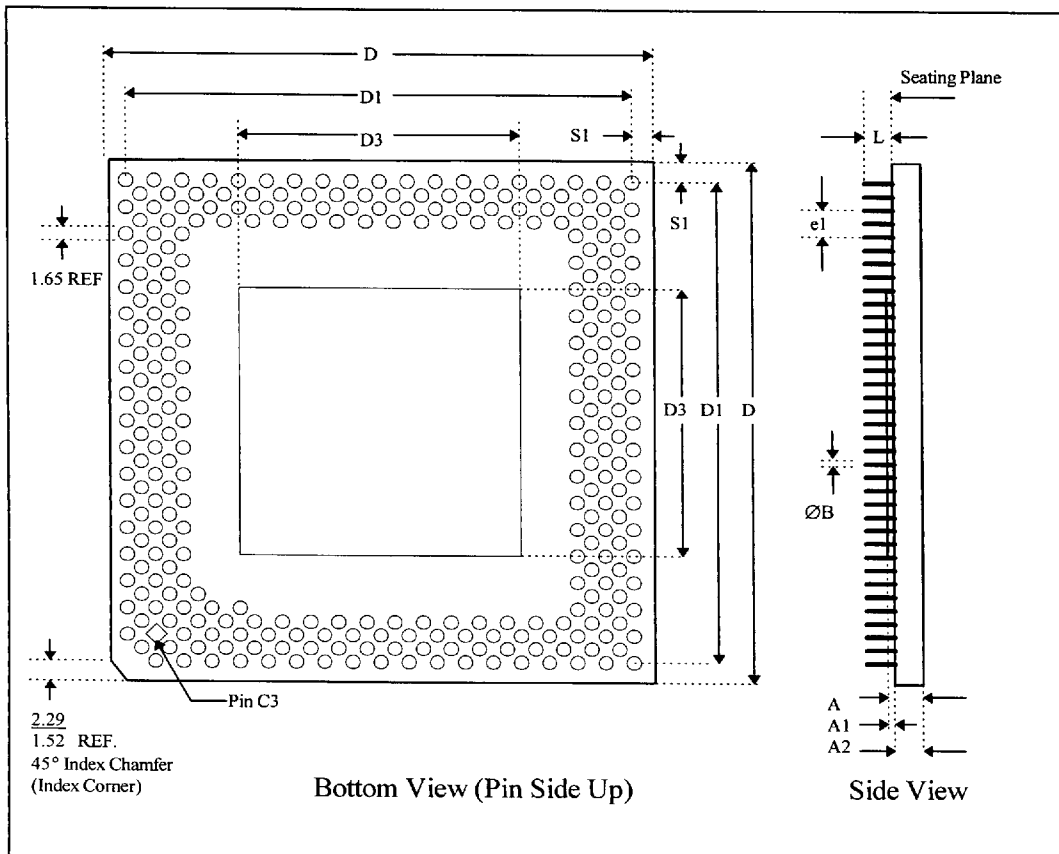


Figure 25. Mobile Pentium[®] Processor with MMX[™] Technology PPGA Package Dimensions Bottom and Side View

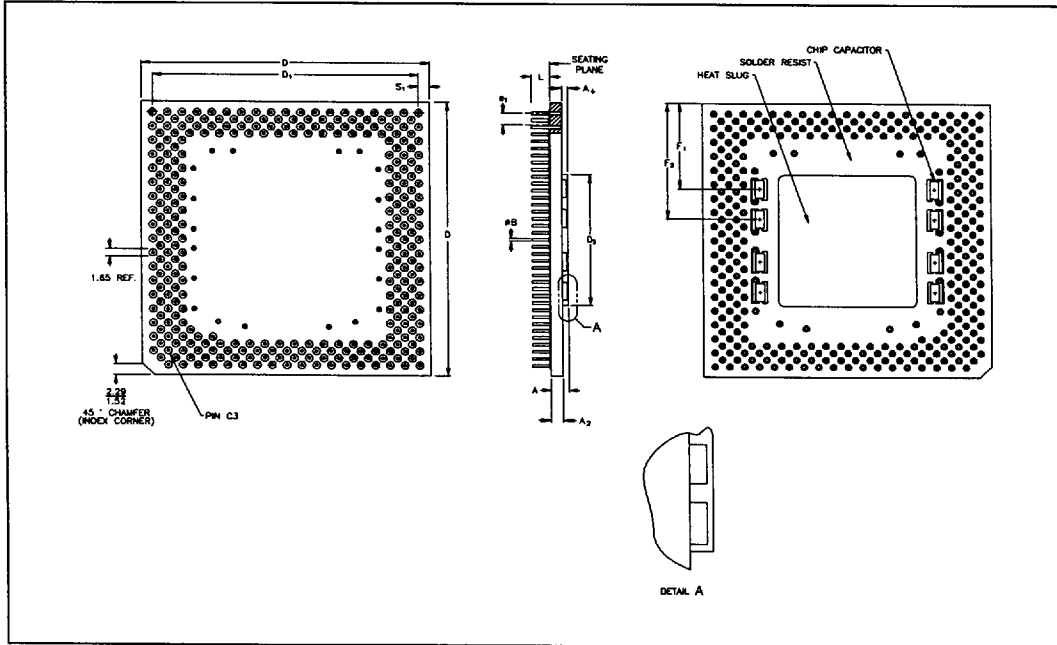


Figure 26. Mobile Pentium® Processor with MMX™ Technology PPGA Package Dimensions

Table 28. PPGA Package Dimensions

296-Pin Plastic Pin Grid Array Package				
Symbol	Millimeters		Inches	
	Min	Max	Min	Max
A	2.62	2.97	0.103	0.117
A1	0.69	0.84	0.027	0.033
A2	3.31	3.81	0.130	0.150
B	0.43	0.51	0.017	0.020
D	49.28	49.78	1.940	1.960
D1	45.59	45.85	1.795	1.805
e1	2.29	2.79	0.090	0.110
L	3.05	3.30	0.120	0.130
N	296		296	
S1	1.52	2.54	0.060	0.100



6.0. THERMAL SPECIFICATIONS

The mobile Pentium processor with MMX technology is specified for proper operation when the case temperature, T_CASE (T_C), for TCP is within the specified range of 0 °C to 95 °C and within the specified range of 0 °C to 85 °C for PPGA.

6.1. Measuring Thermal Values for TCP

To verify that the proper T_C (case temperature) is maintained, it should be measured at the center of the package top surface (encapsulant). To minimize any measurement errors, the following techniques are recommended:

- Use 36 gauge or finer diameter K, T, or J type thermocouples. Intel's laboratory testing was done using a thermocouple made by Omega (part number: 5TC-TTK-36-36).
• Attach the thermocouple bead or junction to the center of the package top surface using highly thermally conductive cements. Intel's laboratory testing was done by using Omega Bond (part number: OB-100).
• The thermocouple should be attached at a 90° angle as shown in Figure 27.

6.1.1. TCP Thermal Equations

For the TCP mobile Pentium processor with MMX technology, an ambient temperature (T_A) is not specified directly. The only requirement is that the case temperature (T_C) is met. The ambient temperature can be calculated from the following equations:

T_J = T_C + P x theta_JC
T_A = T_J - P x theta_JA
T_A = T_C - (P x theta_CA)
T_C = T_A + P x [theta_JA - theta_JC]
theta_CA = theta_JA - theta_JC

where,

- T_A and T_C are ambient and case temperatures (°C)
theta_CA = Case-to-Ambient thermal resistance (°C/W)
theta_JA = Junction-to-Ambient thermal resistance (°C/W)
theta_JC = Junction-to-Case thermal resistance (°C/W)
P = maximum power consumption (Watts)

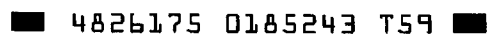
P (maximum power consumption) is specified in Section 3.1.

6.1.2. TCP Thermal Characteristics

The primary heat transfer path from the die of the TCP is through the back side of the die and into the PC board. There are two thermal paths traveling from the PC board to the ambient air. One is the spread of heat within the board and the dissipation of heat by the board to the ambient air. The other is the transfer of heat through the board and to the opposite side where thermal enhancements (e.g., heat sinks, pipes) are attached. Solder-side heat sinking, compared to TCP component-side heat sinking, is the preferred method due to reduced risk of die damage, easier mechanical implementation and larger surface area for attachment. However, component-side heat sinking is possible. The design requirements in a component-side thermal solution are: no direct loading of inner lead bonds on the TCP, a maximum force of 4.5 kgf on the center of a clean TCP, no direct loading of the TAB tape or outer lead bonds and controlled board deflection.

6.1.3. TCP PC Board Enhancements

Copper planes, thermal pads, and vias are design options that can be used to improve heat transfer from the PC board to the ambient air. Tables 28 and 29 present thermal resistance data for copper plane thickness and via effects. It should be noted that although thicker copper planes will reduce the theta_ca of a system without any thermal enhancements, they have less effect on the theta_ca of a system with thermal enhancements. However, placing vias under the die will reduce the theta_ca of a system with and without thermal enhancements.



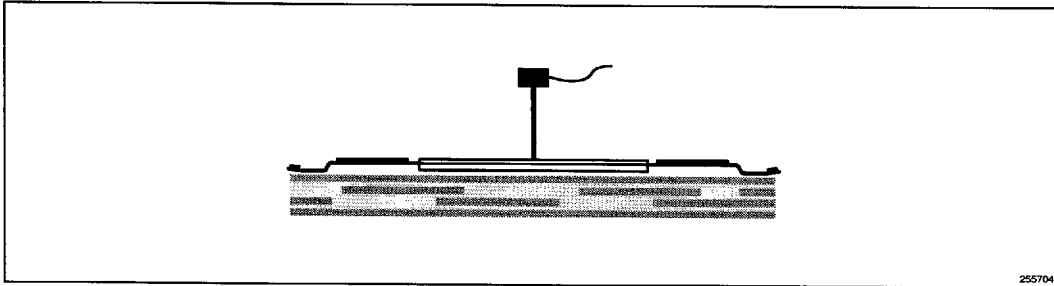


Figure 27. Technique for Measuring Case Temperature (T_c) on TCP

Table 29. TCP Thermal Resistance vs. Copper Plane Thickness With and Without Enhancements

Copper Plane Thickness*	θ_{CA} (°C/Watt) No Enhancements	θ_{CA} (°C/Watt) With Heat Pipe and Al Plates
1 oz. Cu	18	7.8
3 oz. Cu	14	7.8

NOTE:

*225 vias underneath the die

Table 30. TCP Thermal Resistance vs. Thermal Vias Underneath the Die

Number of Vias Under the Die*	θ_{CA} (°C/Watt) No Enhancements
0	15
144	13

NOTE:

*3 oz. copper planes in test boards

6.1.3.1. TCP STANDARD TEST BOARD CONFIGURATION

All Tape Carrier Package (TCP) thermal measurements familiarity provided in the following tables were taken with the component soldered to a 2" x 2" test board outline. This six-layer board contains 225 vias in the die attach pad which are connected to two 3 oz. copper planes located at layers two and five. For the TCP, the vias in the die attach pad should be connected without thermal reliefs to the ground plane(s). The die is attached to the die

attach pad using a thermally conductive adhesive. This test board was designed to optimize the heat spreading into the board and the heat transfer through to the opposite side of the board.

NOTE

Thermal resistance values should be used as guidelines only, and are highly system dependent. Final system verification should always refer to the case temperature specification.



Table 31. TCP Thermal Resistance without Enhancements

	θ_{JC} (°C/Watt)	θ_{CA} (°C/Watt)
Thermal Resistance without Enhancements	0.8	14

Table 32. TCP Thermal Resistance with Enhancements (Without Airflow)

Thermal Enhancements	θ_{CA} (°C/W)	Notes
Heat sink	11.7	1.2"x1.2"x.35"
Al Plate	8.7	4"x4"x.030"
Al Plate with Heat Pipe	7.8	0.3"x1"x4" Heat pipe 4"x4"x0.3" Al plate

Table 33. TCP Thermal Resistance with Enhancements (With Airflow)

Thermal Enhancements	θ_{CA} (°C/W)	Notes
Heat sink with Fan @ 1.7 CFM	5.0	1.2"x1.2"x.35" HS 1"x1"x.4" Fan
Heat sink with Airflow @ 400 LFM	5.1	1.2"x1.2"x.35" HS
Heat sink with Airflow @ 600 LFM	4.3	1.2"x1.2"x.35" HS

NOTES:

HS = heat sink

LFM = Linear Feet/Minute

CFM = Cubic Feet/Minute

6.2. Measuring Thermal Values For PPGA

To verify that the proper T_C (case temperature) is maintained, it should be measured at the center of the package top surface (opposite of the pins). The measurement is made in the same way with or without a heat sink attached. When a heat sink is attached, a hole (smaller than 0.150" diameter) should be drilled through the heat sink to allow probing the center of the package.

To minimize the measurement errors, it is recommended to use the following approach:

- Use 36-gauge or finer diameter K, T, or J type thermocouples. The laboratory testing was done using a thermocouple made by Omega (part number: 5TC-TTK-36-36).

- Attach the thermocouple bead or junction to the center of the package top surface using high thermal conductivity cements. The laboratory testing was done by using Omega Bond (part number: OB-100).
- The thermocouple should be attached at a 90-degree angle as shown in Figure 28.
- The hole size should be smaller than 0.150" in diameter.
- Make sure there is no contact between thermocouple cement and heat sink base. The contact will affect the thermocouple reading.

6.2.1. THERMAL EQUATIONS AND DATA

For the mobile Pentium processor with MMX technology PPGA package, an ambient temperature, T_A (air temperature around the processor), is not specified directly. The only restriction is that T_C is met. To calculate T_A values, the following equations may be used:

$$T_A = T_C - (P \cdot \theta_{CA})$$

$$\theta_{CA} = \theta_{JA} - \theta_{JC}$$

where:

T_A and T_C = ambient and case temperature. (°C)

θ_{CA} = case-to-ambient thermal resistance. (°C/Watt)

θ_{JA} = junction-to-ambient thermal resistance. (°C/Watt)

θ_{JC} = junction-to-case thermal resistance. (°C/Watt)

P = maximum power consumption (Watt)

Table 34 lists the θ_{JC} and θ_{CA} values for the mobile Pentium processor with MMX technology PPGA package with passive heat sinks. θ_{JC} is thermal resistance from die to package case. θ_{JC} values shown in these tables are typical values. The actual θ_{JC} values depend on actual thermal conductivity and process of die attach. θ_{CA} is thermal resistance from package case to the ambient. θ_{CA} values shown in these tables are typical values. The actual θ_{CA} values depend on the heat sink design, interface between heat sink and package, the air flow in the system, and thermal interactions between CPU and surrounding components through PCB and the ambient. Figure 29 shows Table 34 in graphical format.

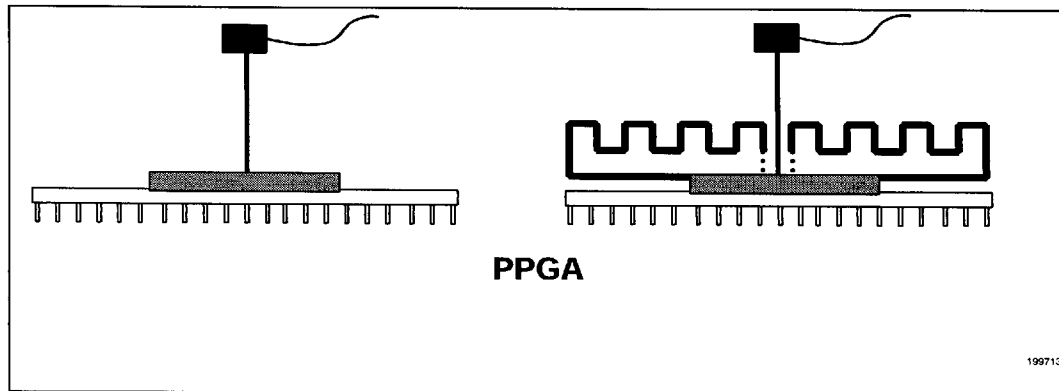


Figure 28. Technique for Measuring T_C on PPGA Packages



Table 34. Thermal Resistances for PPGA Packages

Heat Sink Height in Inches	θ_{JC} (°C/Watt)	θ_{CA} (°C/Watt) vs. Laminar Airflow (linear ft/min)					
		0	100	200	400	600	800
0.25"	0.4	8.9	7.8	6.4	4.3	3.4	2.8
0.35"	0.4	8.6	7.3	5.8	3.8	3.1	2.6
0.45"	0.4	8.2	6.8	5.1	3.4	2.7	2.3
0.55"	0.4	7.9	6.3	4.5	3.0	2.4	2.1
0.65"	0.4	7.5	5.8	4.1	2.8	2.2	1.9
0.80"	0.4	6.8	5.1	3.7	2.6	2.0	1.8
1.00"	0.4	6.1	4.5	3.4	2.4	1.9	1.6
1.20"	0.4	5.7	4.1	3.1	2.2	1.8	1.6
1.40"	0.4	5.2	3.7	2.8	2.0	1.7	1.5
None	1.2	12.9	12.2	11.2	7.7	6.3	5.4

NOTES:

- Heat sinks are omni directional pin aluminum alloy.
 - Features were based on standard extrusion practices for a given height
 - Pin size ranged from 50 to 129 mils
 - Pin spacing ranged from 93 to 175 mils
 - Based thickness ranged from 79 to 200 mils
- Heat sink attach was 0.005" of thermal grease.
 - Attach thickness of 0.002" will improve performance approximately 0.3°C/Watt

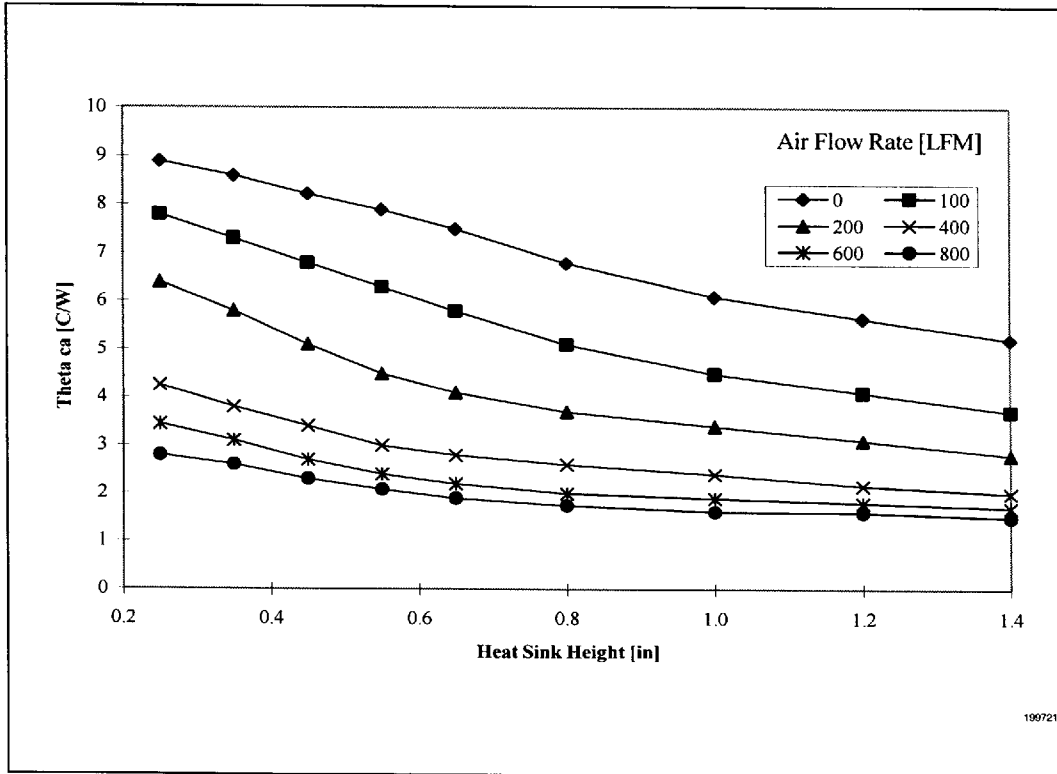


Figure 29. Thermal Resistance vs. Heatsink Height, PPGA Packages

