

# AN5551

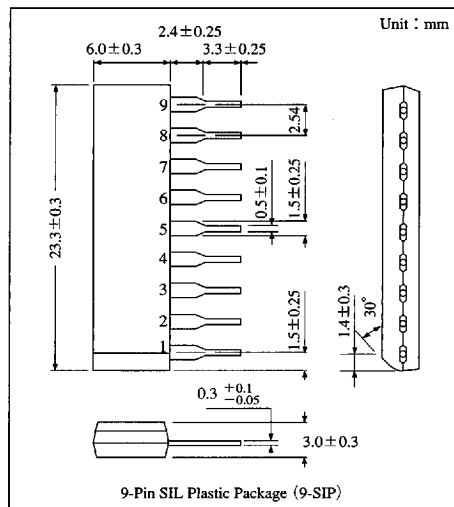
## Pin-Cushion Compensation IC

### Overview

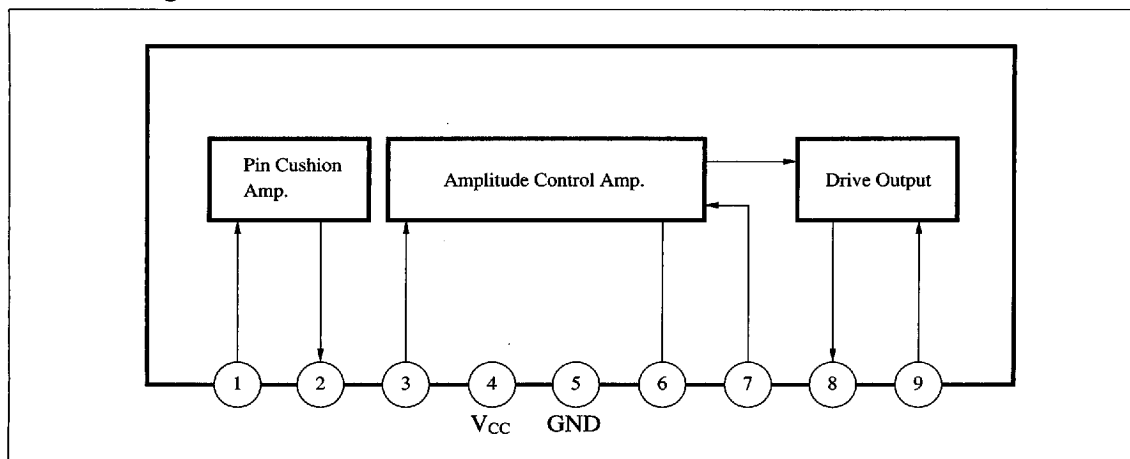
The AN5551 is an integrated circuit designed for compensation of CRT pin-cushion.

### Features

- Operating supply voltage : 12V (typ.)
- Parabola-wave generating pin-cushion amplifier built-in
- Built-in amplitude compensation-circuit for ABL compensation.



### Block Diagram



6932852 0014343 521

**Panasonic**

■ Absolute Maximum Ratings ( $T_a = 25^\circ\text{C}$ )

Parameter		Symbol	Rating		Unit
Voltage	Supply voltage	$V_{4-5}$	24		V
	Circuit voltage	$V_{2-5}, V_{3-5}, V_{6-5}$	0	$V_{4-5}$	V
Current	Circuit current	$I_g$	-10	0	mA
		$I_o$	-10	10	mA
Power dissipation		$P_D$	600		mW
Operating ambient temperature		$T_{opr}$	-20 to +70		$^\circ\text{C}$
Storage temperature		$T_{sig}$	-55 to +150		$^\circ\text{C}$

■ Recommended Operating Range ( $T_a = 25^\circ\text{C}$ )

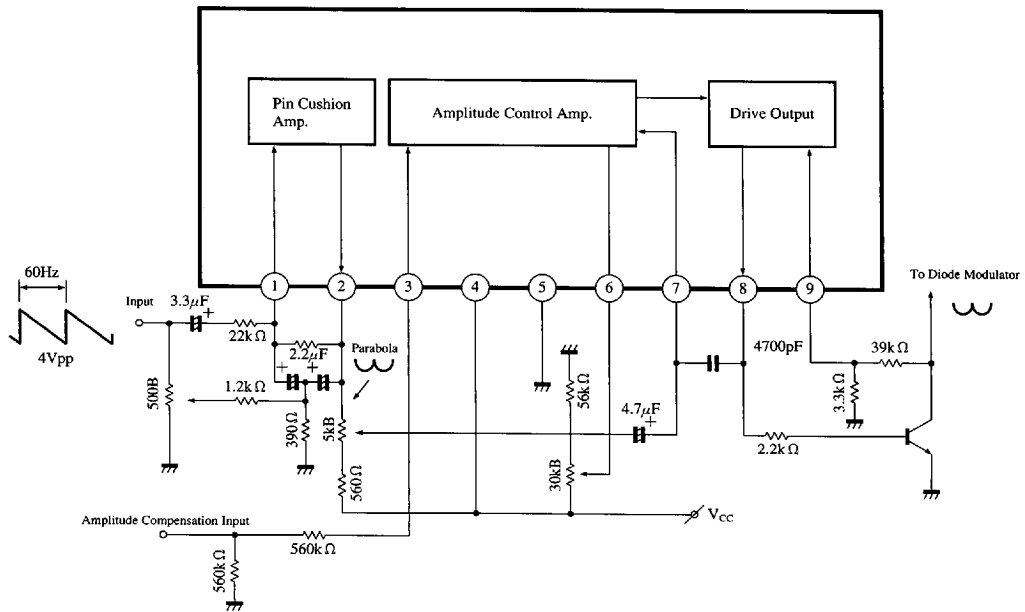
Parameter	Symbol	Range
Operating supply voltage range	$V_{CC}$	9.6V to 24V

■ Electrical Characteristics ( $T_a = 25^\circ\text{C}$ )

Parameter	Symbol	Condition	min	typ	max	Unit
Circuit current	$I_{CC}$	$V_{CC} = 12\text{V}$	5.2	7.5	10	mA
Input impedance	$R_{IN(1)}$	Impedance of Pin(1)	3	5.1	9.2	k $\Omega$
Output impedance	$R_{out(2)}$	Impedance of Pin(2)	27	45	—	k $\Omega$
Pin-cushion gm	$gm(2)$	gm of Pin(2)	2.5	3.7	5.6	mS
Amplitude control gm	$gm(8)$	gm of Pin(8)	1.1	2	2.8	mS

ICs for TV

■ Application Circuit



6932852 0014344 468

Panasonic