

## High Voltage high side switch BA4910FP

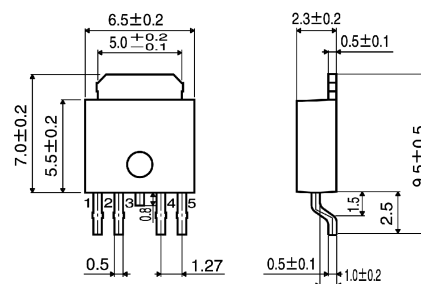
### Description

The BA4910FP is a high voltage high side switch which has an output that can be turned ON/OFF by a CTL pin. Circuit current of 1 $\mu$ A (Typ.) at standby is perfect for power saving. Applications are various including car stereos and printers.

### Features

- 1) Maximum voltage of 50V PNP
- 2) Due to built-in output current control, IC is protected from destruction caused by output short circuits
- 3) Built-in over current detection delay circuit
- 4) Surge resistant due to over voltage protection circuit being built-in.
- 5) Built-in temperature protection circuit to protect IC from thermal destruction

### Dimension (Units:mm)



TO252-5

### Applications

Car Stereos

### Absolute Maximum Ratings (Ta=25°C)

Parameter	Symbol	Limits	Unit
Applied voltage 1	V <sub>CC</sub>	50	V
Applied voltage 2	CTL	10	V
Power dissipation	P <sub>d</sub>	1000 * <sup>1</sup>	mW
Operating temperature range	T <sub>opr</sub>	- 40 ~ +85	°C
Storage temperature range	T <sub>stg</sub>	- 55 ~ +150	°C
Peak supply voltage	V <sub>CC</sub> PEAK	60 * <sup>2</sup>	V

\*1 Derating: 8.0mW/°C for operation above Ta=25°C.

\*2 tr ≥ 1msec. Applied voltage: within 200msec.

### Recommended Operating Conditions (Ta=25°C)

Parameter	Symbol	Min.	Typ.	Max.	Unit
Power supply voltage	V <sub>IN</sub>	8.5	14.4	16	V

### Electrical Characteristics

Parameter	Symbol	Min.	Typ.	Max.	Unit	Conditions
<INPUT>						
Stand by current	I <sub>st</sub>	-	-	10	μA	CTL pin=0V
Operating current	I <sub>cc</sub>	3.3	5.5	7.7	mA	CTL pin=5V, I <sub>o</sub> =0mA
<OUTPUT>						
Dropout voltage	ΔV <sub>o1</sub>	-	0.5	1.0	V	I <sub>o</sub> =400mA
Load regulation	ΔV <sub>o2</sub>	-	450	900	mV	I <sub>o</sub> =0~400mA
Output current	I <sub>o</sub>	500	-	800	mA	V <sub>o</sub> V <sub>IN</sub> - ΔV <sub>o1MAX</sub> *1
<CTL pin>						
Standby level	V <sub>thsw1</sub>	-	-	1.5	V	
Active level	V <sub>thsw2</sub>	3.8	-	v	V	
Input high current	I <sub>insh</sub>	16	27	38	μA	V <sub>th</sub> =3.5V
<Delay time setting CP pin>						
Threshold voltage	VΔ <sub>th</sub>	0.8	0.85	0.9	V	Δ(V <sub>th</sub> -V <sub>CP</sub> )
Capacitor charging current *2	I <sub>cp</sub>	1.2	2.0	2.8	μA	

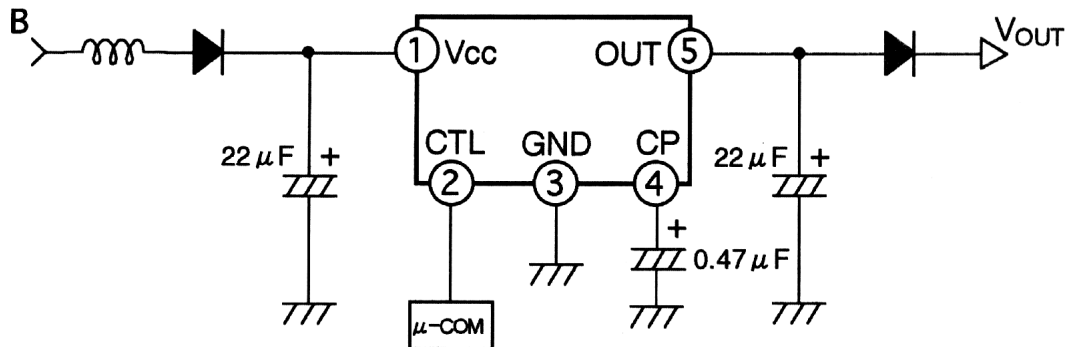
\*1 ΔV<sub>o1MAX</sub>=Maximum of minimum I/O differential voltage

\*2 When CP=0.47μF, delay time =200msec.(TYP)

○ This product is not designed with anti-radiation capability.

○ Output current can be used within min. of I<sub>o</sub>.

### Application circuit



### Notes

- No technical content pages of this document may be reproduced in any form or transmitted by any means without prior permission of ROHM CO.,LTD.
- The contents described herein are subject to change without notice. The specifications for the product described in this document are for reference only. Upon actual use, therefore, please request that specifications to be separately delivered.
- Application circuit diagrams and circuit constants contained herein are shown as examples of standard use and operation. Please pay careful attention to the peripheral conditions when designing circuits and deciding upon circuit constants in the set.
- Any data, including, but not limited to application circuit diagrams information, described herein are intended only as illustrations of such devices and not as the specifications for such devices. ROHM CO.,LTD. disclaims any warranty that any use of such devices shall be free from infringement of any third party's intellectual property rights or other proprietary rights, and further, assumes no liability of whatsoever nature in the event of any such infringement, or arising from or connected with or related to the use of such devices.
- Upon the sale of any such devices, other than for buyer's right to use such devices itself, resell or otherwise dispose of the same, no express or implied right or license to practice or commercially exploit any intellectual property rights or other proprietary rights owned or controlled by
- ROHM CO., LTD. is granted to any such buyer.
- Products listed in this document use silicon as a basic material.  
Products listed in this document are no antiradiation design.

The products listed in this document are designed to be used with ordinary electronic equipment or devices (such as audio visual equipment, office-automation equipment, communications devices, electrical appliances and electronic toys).

Should you intend to use these products with equipment or devices which require an extremely high level of reliability and the malfunction of which would directly endanger human life (such as medical instruments, transportation equipment, aerospace machinery, nuclear-reactor controllers, fuel controllers and other safety devices), please be sure to consult with our sales representative in advance.

#### About Export Control Order in Japan

Products described herein are the objects of controlled goods in Annex 1 (Item 16) of Export Trade Control Order in Japan.

In case of export from Japan, please confirm if it applies to "objective" criteria or an "informed" (by MITI clause) on the basis of "catch all controls for Non-Proliferation of Weapons of Mass Destruction.