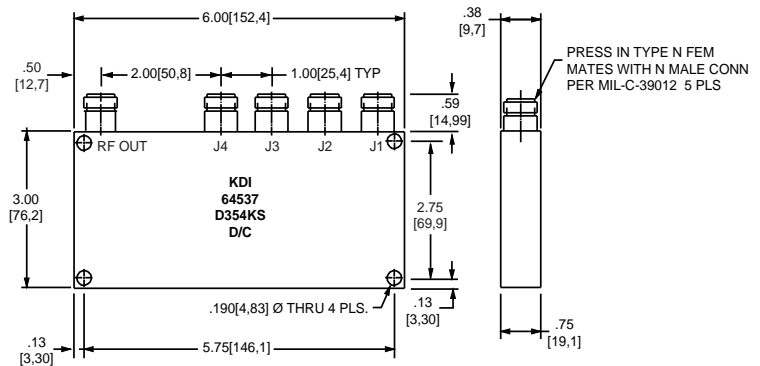


4 WAY

DIVIDER/COMBINERS, POWER

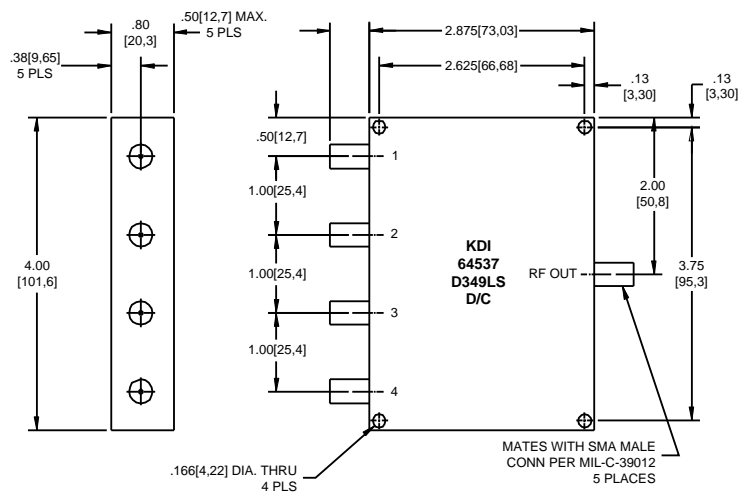
ELECTRICAL SPECIFICATIONS

Model:	D354KS
Connectors:	Type N
Frequency Range:	860-900 MHz
VSWR:	1.30:1 Maximum
Isolation:	20 dB Minimum
Insertion Loss:	6.5 dB Maximum
RF Power:	50mW Maximum into each port
Amplitude Balance:	±0.3 dB Maximum
Phase Balance:	±3.0° Maximum
Operating Temperature:	-30° C to +70° C



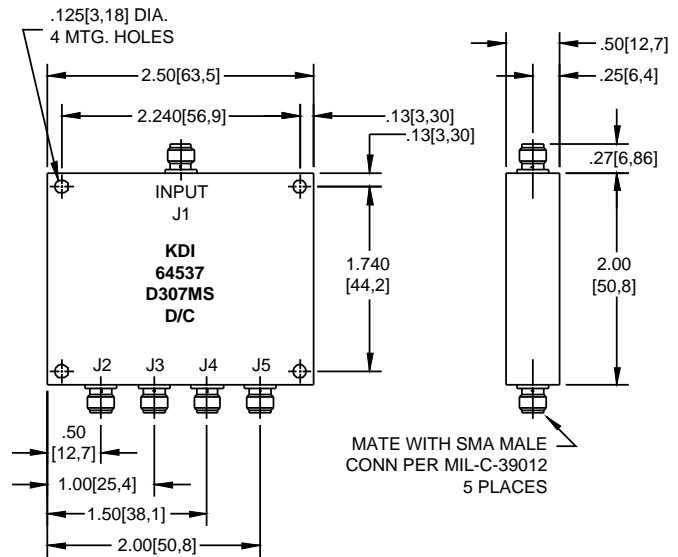
ELECTRICAL SPECIFICATIONS

Model:	D349LS
Connectors:	SMA
Frequency Range:	800-900 MHz
VSWR:	1.3:1 Maximum
Isolation:	20 dB Minimum
Insertion Loss:	0.5 dB Maximum
RF Power:	50mW Maximum into each port
Amplitude Balance:	±1 dB Maximum
Phase Balance:	±2.0° Maximum
Operating Temperature:	-30° C to +70° C



ELECTRICAL SPECIFICATIONS

Model:	D307MS
Connectors:	SMA
Frequency Range:	824-925 MHz
VSWR:	1.2:1 Maximum
Isolation:	20 dB Minimum
Insertion Loss:	6.3 dB Maximum (inc. div. loss)
Amplitude Balance:	±0.1 dB Maximum
Phase Balance:	±2° Maximum
RF Power:	4.0 Watts CW Total @ Input
Operating Temperature:	-30° C to +70° C



KE Y Inches[Millimeters] .XX ±.03 .XXX ±.010 [.X ±0.8 .XX ±0.25]

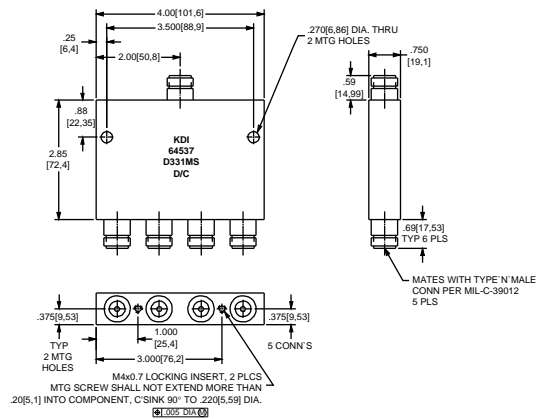


60 South Jefferson Road, Whippany, NJ 07981
 Tel: 973-887-8100 • Fax: 973-884-0445
 E-Mail: kdisales@aol.com
 See us on the web @ www.kditriangle.com

4 WAY DIVIDER/COMBINERS, POWER

ELECTRICAL SPECIFICATIONS

Model:	D331MS
Connectors:	Type N
Frequency Range:	800-960 MHz
VSWR:	Out 2.0:1 Maximum—unterminated input 1.6:1 Maximum—terminated input
Isolation:	15 dB Minimum output to input 20 dB Minimum output to output
Insertion Loss:	-8.0 dB Maximum (incl. divide loss)
RF Power:	2 Watts Maximum
Amplitude Balance:	±0.5 dB Maximum
Phase Balance:	±2° Maximum
Operating Temperature:	-30° to +70°C

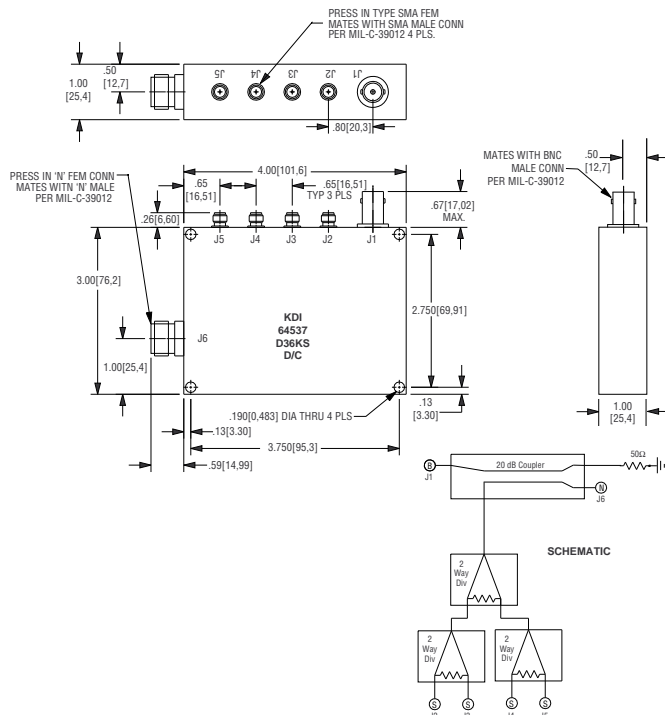


GENERAL INFORMATION

The Model D366KS includes an equal four way power divider with Type N input and 4 SMA outputs. An isolated monitor port directional coupler with a BNC output connector is provided with a closely calibrated 20dB coupling value. Stripline construction and KDI high power Beryllium Oxide resistors employed in the design can readily be adapted to new custom applications.

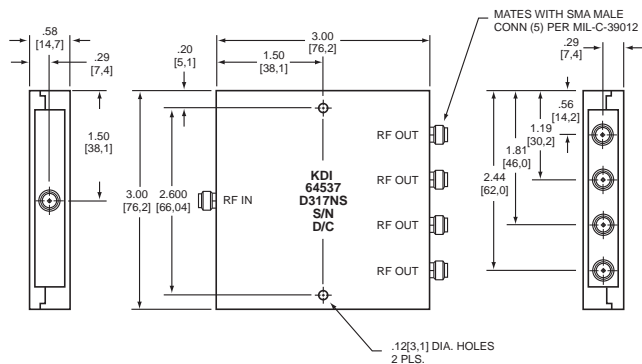
ELECTRICAL SPECIFICATIONS

Model:	D366KS
Connectors:	See Outline
Frequency Range:	800-900 MHz
VSWR:	1.35:1 Maximum
INS Loss:	6.6 dB Maximum
Isolation:	24.0 dB Minimum J2-J3, J4-J5 -40 dB Minimum (Coupler) J1-J6 29 dB Minimum All Other Combiner Combinations
Coupling:	-20 ± .5 dB
Amplitude Balance:	±0.5 dB Maximum
Phase Balance:	±2° Maximum
RF Power:	2 Watts Maximum
Operating Temperature:	-30° to +70°C



ELECTRICAL SPECIFICATIONS

Model:	D317NS
Connectors:	SMA
Frequency Range:	800-2000 MHz
Insertion Loss:	1.2 Maximum above 6 dB
Isolation:	30 dB typ. 23 dB Minimum
VSWR:	In: 1.25 Maximum typ. Out: 1.15 Maximum typ.
Amplitude Balance:	0.3 dB Maximum
Phase Balance:	±2° Maximum
RF Power:	+20 dBm Maximum
Operating Temperature:	-30° to +70°C
Housing Material:	Metalized Plastic



KE Y Inches [Millimeters] .XX ±.03 .XXX ±.010 [.X ±0.8 .XX ±0.25]

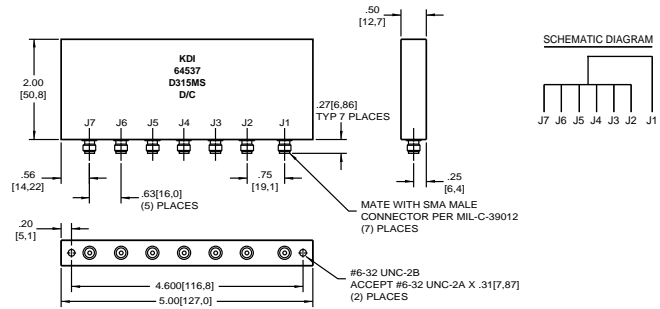


60 South Jefferson Road, Whippany, NJ 07981
Tel: 973-887-8100 • Fax: 973-884-0445
E-Mail: kdisales@aol.com
See us on the web @ www.kditriangle.com

6 WAY DIVIDERS/COMBINERS, POWER

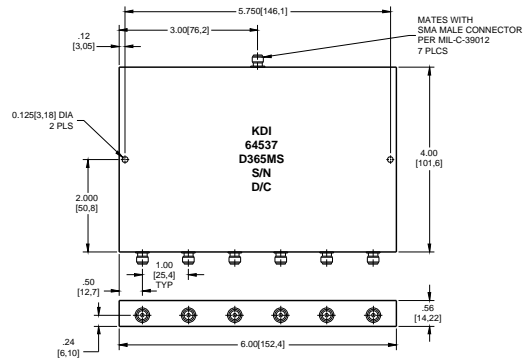
ELECTRICAL SPECIFICATIONS

Model:	D315MS
Connectors:	SMA
Frequency Range:	800-900 MHz
VSWR:	1.3:1 Maximum
Isolation:	24 dB Minimum
Insertion Loss:	15.5 dB ± 0.25 dB
RF Power:	30 dBm Maximum @ (J1) Port
Amplitude Balance:	± 0.5 dB Maximum
Phase Balance:	± 3° Maximum
Operating Temperature:	-30° to +70°C



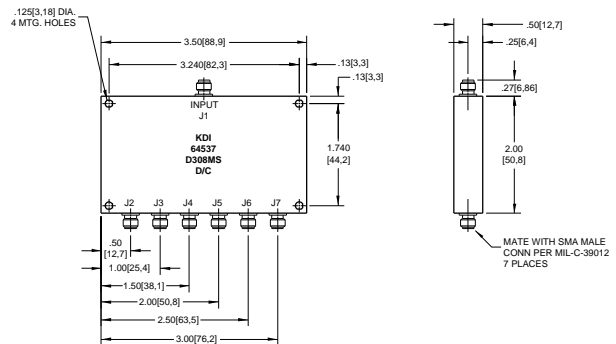
ELECTRICAL SPECIFICATIONS

Model:	D365MS
Connectors:	SMA
Frequency Range:	400-2000 MHz
Insertion Loss above 7.8 dB:	1.5 dB
Isolation:	14 dB Minimum
VSWR:	1.35:1 Maximum
RF Power:	1 Watt Maximum @ Input Port 100 milliwatts Maximum/Port as a Combiner
Amplitude Balance:	± 0.7 dB Maximum
Phase Balance:	± 5° Maximum
Operating Temperature:	-30° to +70°C



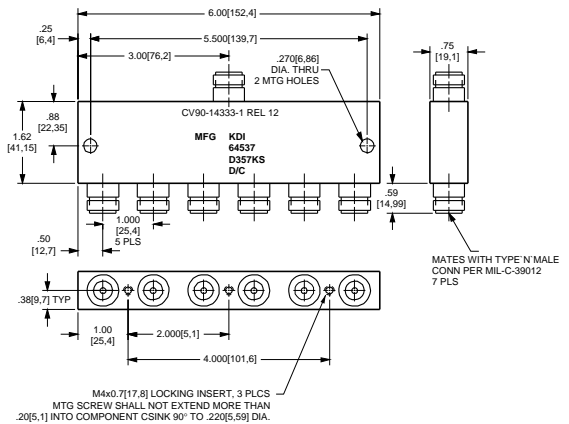
ELECTRICAL SPECIFICATIONS

Model:	D308MS
Connectors:	SMA
Frequency Range:	824-925 MHz
VSWR:	1.2:1 Maximum
Isolation:	20 dB Minimum
Insertion Loss:	8.2 dB Maximum (incl. div. loss)
RF Power:	4.0 Watts CW Total @ input
Amplitude Balance:	± 0.5 dB Maximum
Phase Balance:	± 3° Maximum
Operating Temperature:	-30° to +70°C



ELECTRICAL SPECIFICATIONS

Model:	D357KS
Connectors:	Type N
Frequency Range:	800-960 MHz
VSWR:	1.35:1 Maximum all ports
Isolation:	20.0 dB Minimum
Insertion Loss:	9.0 dB Maximum (incl. divide loss)
RF Power:	5 W Maximum
Amplitude Balance:	± 0.5 dB Maximum
Phase Balance:	± 3° Maximum
Operating Temperature:	-30° to +70°C



KEY: Inches [Millimeters] .XX ± .03 .XXX ± .010 [.X ± 0.8 .XX ± 0.25]



60 South Jefferson Road, Whippany, NJ 07981
 Tel: 973-887-8100 • Fax: 973-884-0445
 E-Mail: kdisales@aol.com
 See us on the web @ www.kditriangle.com

6 WAY

DIVIDERS/COMBINERS, POWER

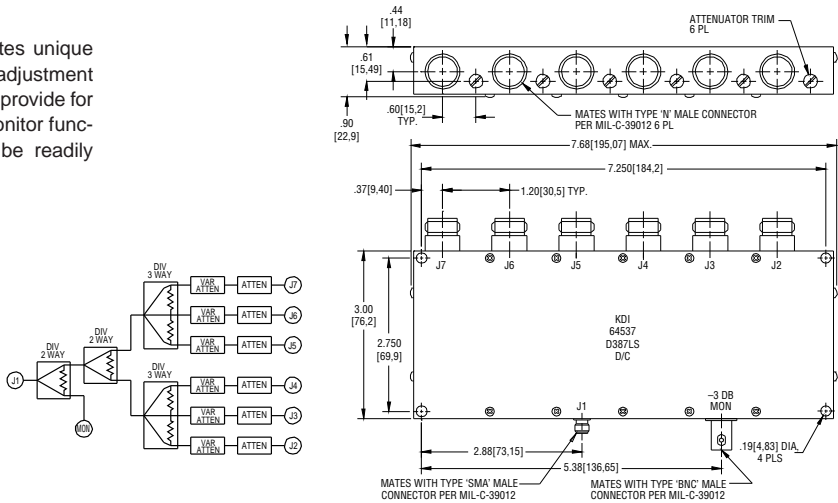
SUBASSEMBLY—WITH VARIABLE ATTENUATORS

GENERAL INFORMATION

The Model D387LS power divider subassembly incorporates unique level set adjustable attenuators, each with a minimum adjustment range of 0-12dB. Resistor isolated Wilkinson power dividers provide for high isolation between signal paths, and include a power monitor function. The stripline construction provided throughout can be readily modified for other custom applications.

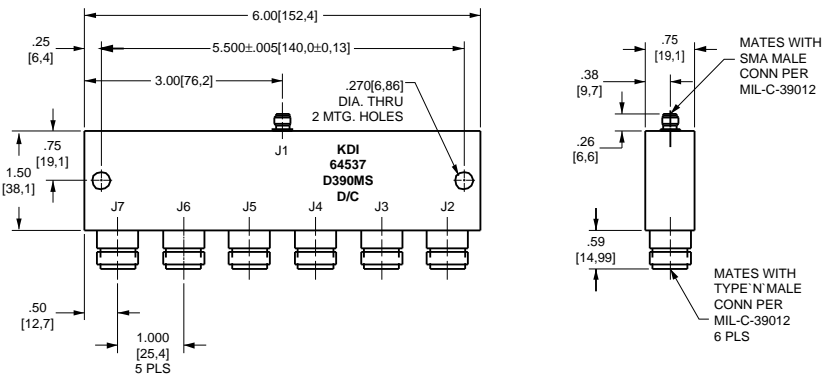
ELECTRICAL SPECIFICATIONS

Model:	D387LS
Connectors:	Type N Output SMA Input BNC Monitor Port
Frequency Range:	0.865 – 0.900 GHz
Insertion Loss:	14.5 ±0.5 dB at 0 dB Trim 3.0 +5 –0 dB
Attenuator Trim:	0 to 12 dB Minimum (Screwdriver)
RF Power:	+17 dBm
Isolation:	20 dB Minimum at 0 dB Trim
VSWR (All Ports):	1.60:1 Maximum
Operating Temperature:	-30° to +70°C.



ELECTRICAL SPECIFICATIONS

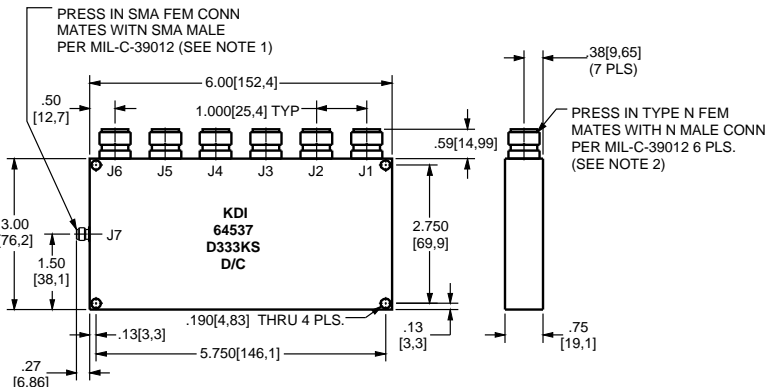
Model:	D390MS
Connectors:	SMA/N
Frequency Range:	824-894 MHz
VSWR:	1.2:1 Maximum
Isolation:	20.0 dB Minimum
Insertion Loss:	8.5 dB Maximum (Includes divide loss)
RF Power:	500 milliwatts Maximum @ Combined Port
Amplitude Balance:	±0.2 dB Maximum
Phase Balance:	±0.2 Maximum
Operating Temperature:	-30° to +70°C.



ELECTRICAL SPECIFICATIONS

Model:	D333KS
Frequency:	.860-.900 GHz
VSWR:	1.35:1 Maximum
Isolation:	>27 dB J5-J6 (J1, J2, J3, J4 & J7 Open) 20 dB Minimum all other
Insertion Loss:	12.0 ± .4 dB (J7-J1, J7-J2)
Coupling:	10.0 ± .5 dB (J5-J1)
Path Loss:	4.5 dB Maximum (4.1 dB Typical) (J7-J6)
RF Power:	50mW Maximum each input
Operating Temperature:	-30° to +70°C.

Port Designations above indicate (RF OUT — RF IN)



Notes:

1. Connector SMA: Passivated Stainless Steel ASTM-A-582 (QQ-S-764) Body with Gold Plated (MIL-G-45204 Type II, Class I, Grade C)
2. Connector N: Nickel Plated (QQ-N-290) over CU. Strike (MIL-C-14550) over Brass Body 1/2 HD Comp 22 (QQ-B-626)
3. HSG: Chem Film (MIL-C-5541) Class 1A over Aluminum 6061-T6 per (QQ-A-250)

KEY: Inches[Millimeters] .XX ±.03 .XXX ±.010 [.X ±0.8 .XX ±0.25]



60 South Jefferson Road, Whippany, NJ 07981
 Tel: 973-887-8100 • Fax: 973-884-0445
 E-Mail: kdisales@aol.com
 See us on the web @ www.kditriangle.com