

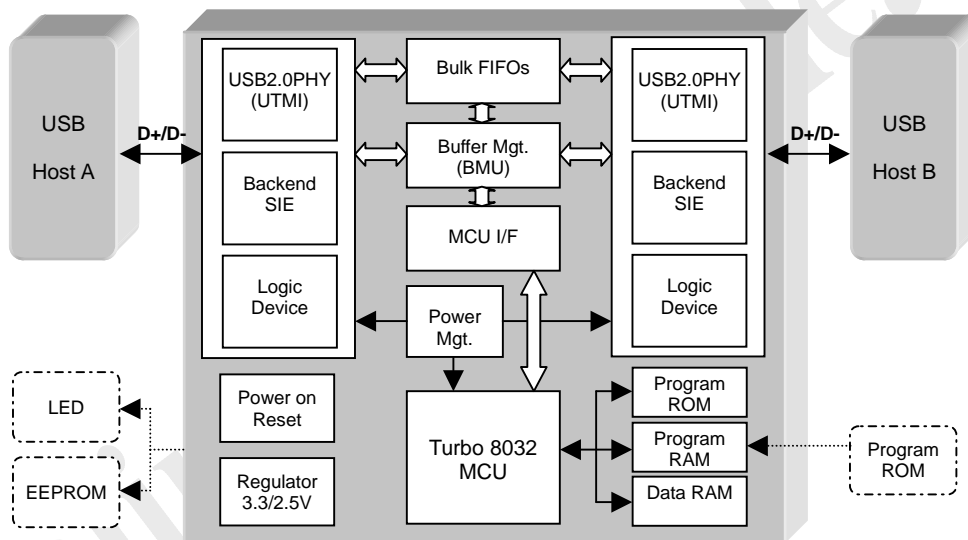
PL-2501

Hi-Speed USB Host to Host Bridge Controller

OVERVIEW

The PL-2501 is a single chip Hi-Speed USB Host-to-Host Bridge Controller. With PL-2501 embedded cable, users can quickly transfer large amount and large size of files directly from one PC to another. Also it's useful for computer data backup/restore, synchronization or file sharing. Additionally, the chip enables two or more Hi-Speed USB or USB1.1 equipped PCs to connect to each other using USB ports as a network. Since Hi-Speed USB extends the speed up to 480 Mbps – 40 times more than previous USB, the network constructed by PL-2501 has data rates almost 5 times faster than a conventional 100BT Ethernet network. Implemented with remote NDIS, users can easily build up this network at a turbo speed without the troubled installation of drivers and add-on network interface cards.

BLOCK DIAGRAM



FEATURES

- Full compliance with the USB Specification v2.0
- On-chip USB2.0 Phy
- Support both Peer to Peer and Network functions
- Transfer data and share resources between two or more PCs with speed up to 480Mbps.
- Remote NDIS specification compliant (For network function only)
- Embedded Turbo 8032 micro-controller
- Supports USB Full/High Speed Control/Interrupt/Bulk Endpoints Transfer
- On-Chip 3.3V-2.5V regulator for internal circuit
- Dual data buffer supporting two-way data transfer
- Supports Suspend, Resume and Remote wake-up power management features
- Supports external serial EEPROM to customize vender/product related information
- Supports LED indicator for connection and transfer status
- Support external customized program ROM via 100-pin LQFP package
- Bus powered from either USB port
- No glue logic needed – can be embedded in small spaces
- 64/100 Pins LQFP packages

Prolific Technology Inc.

7F, #48, Sec.3, Nan-Kang Rd., Taipei, Taiwan 115, ROC
Tel: 886-2-2654-6363 Fax: 886-2-2654-6161
E-mail : sales@prolific.com.tw
<http://www.prolific.com.tw>