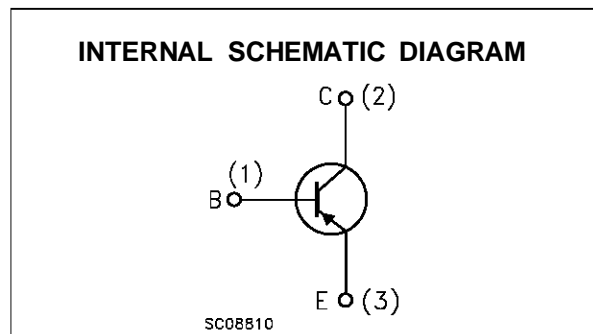
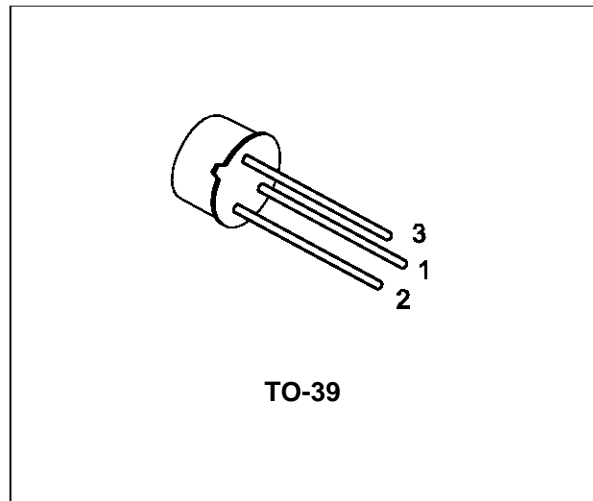


**GENERAL PURPOSE AMPLIFIER AND SWITCH**

**DESCRIPTION**

The 2N4033 is a silicon planar epitaxial PNP transistors in Jedec TO-39 metal case primary intended for large signal, low noise industrial applications.



**ABSOLUTE MAXIMUM RATINGS**

Symbol	Parameter	Value	Unit
V <sub>CB0</sub>	Collector-Base Voltage (I <sub>E</sub> = 0)	-80	V
V <sub>CEO</sub>	Collector-Emitter Voltage (I <sub>B</sub> = 0)	-80	V
V <sub>EBO</sub>	Emitter-Base Voltage (I <sub>C</sub> = 0)	-5	V
I <sub>C</sub>	Collector Current	-1	A
P <sub>tot</sub>	Total Dissipation at T <sub>amb</sub> ≤ 45 °C at T <sub>case</sub> ≤ 45 °C	0.8	W
		4	W
T <sub>stg</sub>	Storage Temperature	-55 to 200	°C
T <sub>j</sub>	Max. Operating Junction Temperature	200	°C

**THERMAL DATA**

R <sub>thj-case</sub>	Thermal Resistance Junction-Case	Max	44	°C/W
R <sub>thj-amb</sub>	Thermal Resistance Junction-Ambient	Max	218	°C/W

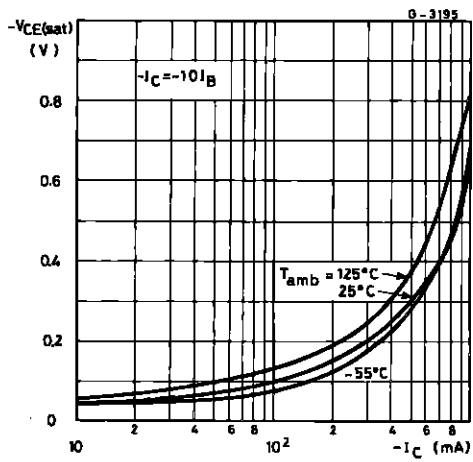
**ELECTRICAL CHARACTERISTICS** (T<sub>case</sub> = 25 °C unless otherwise specified)

Symbol	Parameter	Test Conditions	Min.	Typ.	Max.	Unit
I <sub>CBO</sub>	Collector Cut-off Current (I <sub>E</sub> = 0)	V <sub>CE</sub> = -60 V V <sub>CE</sub> = -60 V T <sub>amb</sub> = 150 °C			-50 -50	nA μA
V <sub>(BR)CBO</sub> *	Collector-Base Breakdown Voltage (I <sub>E</sub> = 0)	I <sub>C</sub> = -10 μA	-80			V
V <sub>(BR)CEO</sub> *	Collector-Emitter Breakdown Voltage (I <sub>B</sub> = 0)	I <sub>C</sub> = -10 mA	-80			V
V <sub>(BR)EBO</sub> *	Emitter-Base Breakdown Voltage (I <sub>C</sub> = 0)	I <sub>E</sub> = -10 μA	-5			V
V <sub>CE(sat)</sub> *	Collector-Emitter Saturation Voltage	I <sub>C</sub> = -150 mA I <sub>B</sub> = -15 mA I <sub>C</sub> = -500 mA I <sub>B</sub> = -50 mA			-0.15 -0.5	V V
V <sub>BE(sat)</sub> *	Base-Emitter Saturation Voltage	I <sub>C</sub> = -150 mA I <sub>B</sub> = -15 mA I <sub>C</sub> = -500 mA I <sub>B</sub> = -50 mA			-0.9 -1.1	V V
h <sub>FE</sub> *	DC Current Gain	I <sub>C</sub> = -100 μA V <sub>CE</sub> = -5 V I <sub>C</sub> = -100 mA V <sub>CE</sub> = -5 V I <sub>C</sub> = -500 mA V <sub>CE</sub> = -5 V I <sub>C</sub> = -1 A V <sub>CE</sub> = -5 V I <sub>C</sub> = -100 mA V <sub>CE</sub> = -5 V T <sub>amb</sub> = -55 °C	75 100 70 25 40		300	
f <sub>T</sub>	Transition Frequency	I <sub>C</sub> = -50 mA V <sub>CE</sub> = -10 V f = 100 MHz	150		500	MHz
C <sub>EBO</sub>	Emitter Base Capacitance	I <sub>E</sub> = 0 V <sub>EB</sub> = -0.5 V f = 1MHz			110	pF
C <sub>CBO</sub>	Collector Base Capacitance	I <sub>E</sub> = 0 V <sub>CB</sub> = -10 V f = 1MHz			20	pF
t <sub>s</sub> **	Storage Time	I <sub>C</sub> = -500 mA V <sub>CE</sub> = -30 V I <sub>B1</sub> = -I <sub>B2</sub> = -50 mA			350	ns
t <sub>f</sub> **	Fall Time	I <sub>C</sub> = -500 mA V <sub>CE</sub> = -30 V I <sub>B1</sub> = -I <sub>B2</sub> = -50 mA			50	ns
t <sub>on</sub> **	Turn-on Time	I <sub>C</sub> = -500 mA V <sub>CE</sub> = -30 V I <sub>B1</sub> = -I <sub>B2</sub> = -50 mA			100	ns

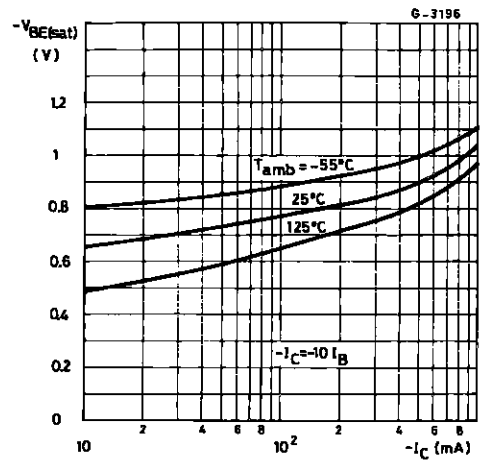
\* Pulsed: Pulse duration = 300 μs, duty cycle ≤ 1 %

\*\* See Test Circuit

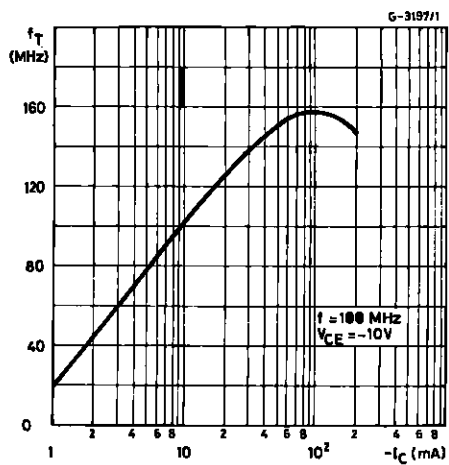
Collector-emitter Saturation Voltage.



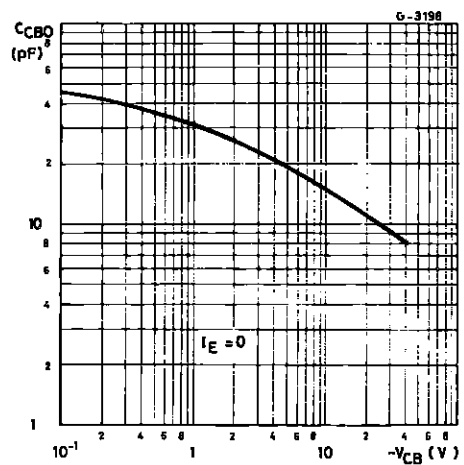
Base-emitter Saturation Voltage.



Transition Frequency.

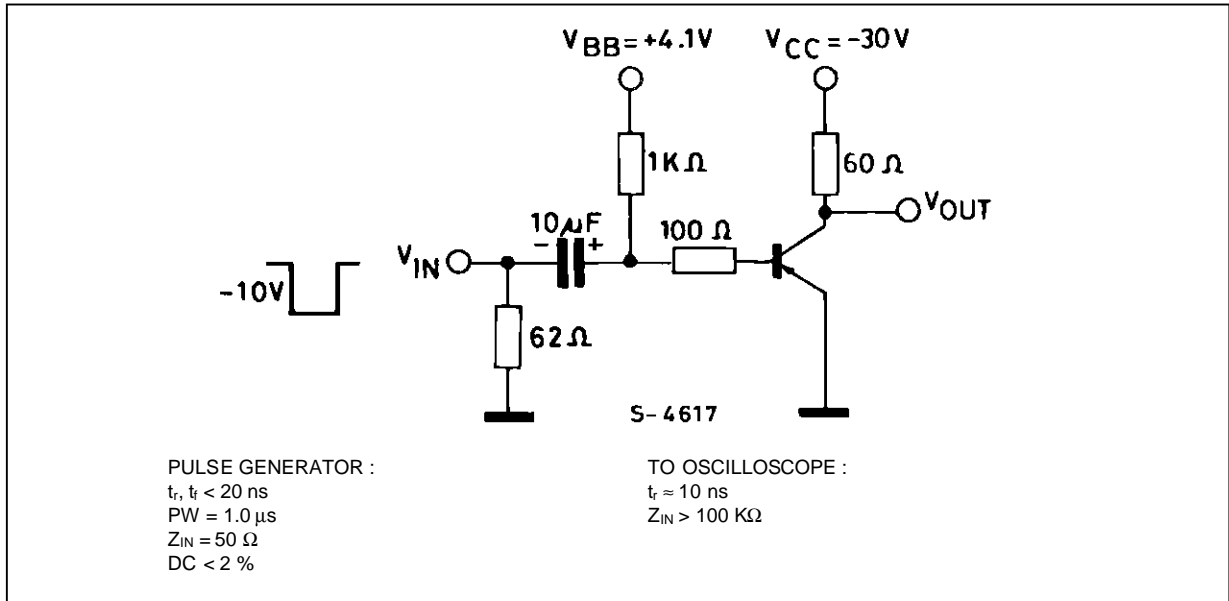


Collector-base Capacitance.



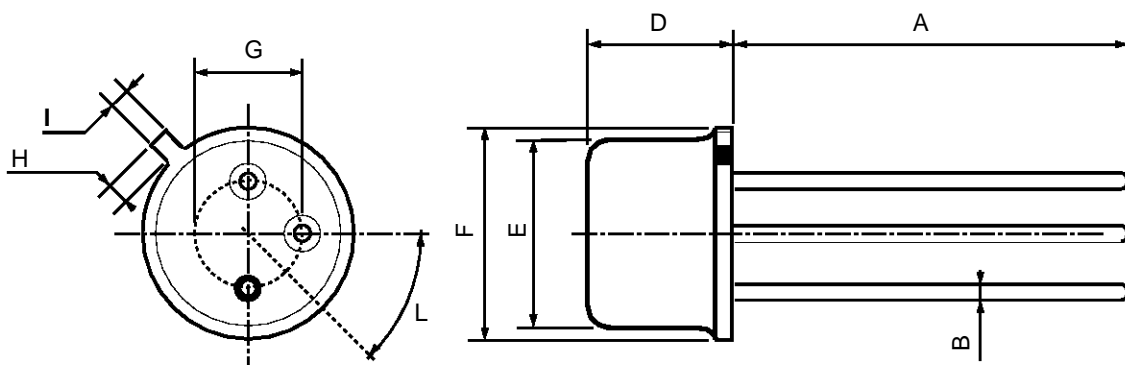
# 2N4033

Test Circuit for  $t_{on}$ ,  $t_s$ ,  $t_f$ .



## TO-39 MECHANICAL DATA

DIM.	mm			inch		
	MIN.	TYP.	MAX.	MIN.	TYP.	MAX.
A	12.7			0.500		
B			0.49			0.019
D			6.6			0.260
E			8.5			0.334
F			9.4			0.370
G	5.08			0.200		
H			1.2			0.047
I			0.9			0.035
L	45° (typ.)					



P008B

Information furnished is believed to be accurate and reliable. However, SGS-THOMSON Microelectronics assumes no responsibility for the consequences of use of such information nor for any infringement of patents or other rights of third parties which may result from its use. No license is granted by implication or otherwise under any patent or patent rights of SGS-THOMSON Microelectronics. Specifications mentioned in this publication are subject to change without notice. This publication supersedes and replaces all information previously supplied. SGS-THOMSON Microelectronics products are not authorized for use as critical components in life support devices or systems without express written approval of SGS-THOMSON Microelectronics.

© 1997 SGS-THOMSON Microelectronics - Printed in Italy - All Rights Reserved

SGS-THOMSON Microelectronics GROUP OF COMPANIES

Australia - Brazil - Canada - China - France - Germany - Italy - Japan - Korea - Malaysia - Malta - Morocco - The Netherlands -  
Singapore - Spain - Sweden - Switzerland - Taiwan - Thailand - United Kingdom - U.S.A

...