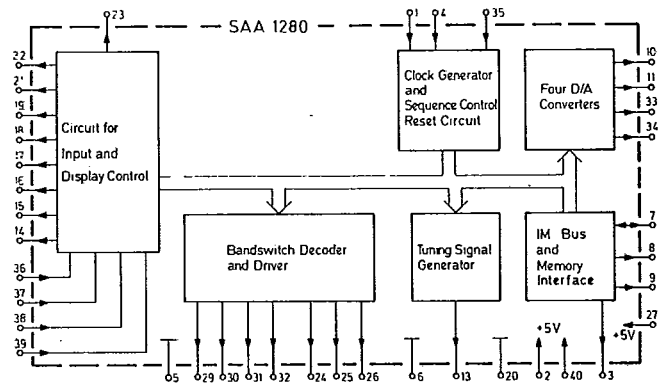


SAA1280 Control and Tuning IC for TV Receivers (40-Pin Plastic Package)

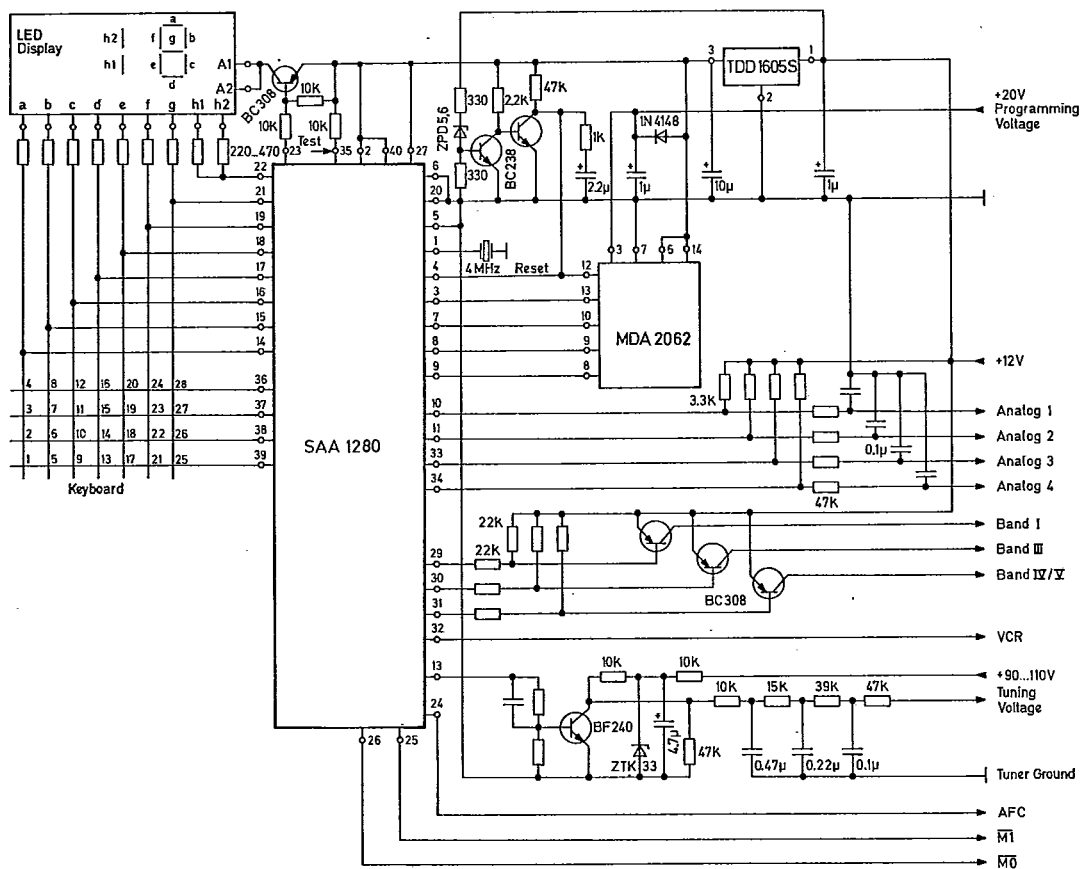
The SAA1280 offers a very economic solution for the control, station selection by voltage synthesis tuning, band selection and station display in CTV sets with average degree of operation comfort. The MDA2062 non-volatile memory is provided as storage for tuning information on 16 stations and for four analog settings.

The SAA1280 is an N-channel MOS circuit. The most important features of the SAA1280 system are as follows:

- all controls actuated by 28 pushbuttons
- three bandswitch outputs, plus VCR switch output
- four analog outputs
- four-way multi-standard switch
- 1½ digit station display
- muting during change of station or band
- four tuning speeds
- tuning voltage generation with rate multiplier
- simple external circuitry



Functional Block Diagram of the SAA1280



Application Circuit of the SAA1280