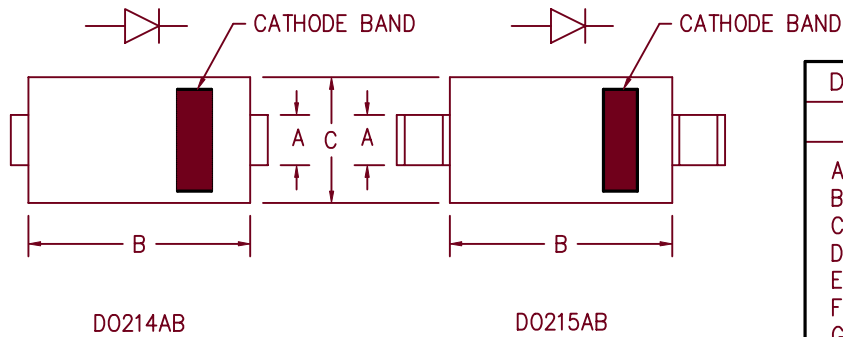
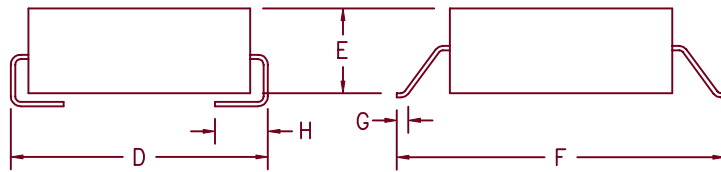


Ultra Fast Recovery Rectifiers UFS360 — UFS380



Dim.	Inches		Millimeter		Notes
	Minimum	Maximum	Minimum	Maximum	
A	.117	.123	2.97	3.12	
B	.260	.280	6.60	7.11	
C	.220	.245	5.59	6.22	
D	.307	.322	7.80	8.18	
E	.075	.095	1.91	2.41	
F	.380	.400	9.65	10.16	
G	.025	.040	.640	1.02	
H	.030	.060	.760	1.52	



Microsemi
Catalog Number

*UFS360
*UFS370
*UFS380

Working Peak
Reverse Voltage

600V
700V
800V

Repetitive Peak
Reverse Voltage

600V
700V
800V

*Add Suffix J For J Lead or G For Gull Wing Lead Configuration

- Ultra Fast Recovery
- 175°C Junction Temperature
- VRRM 600 to 800 Volts
- 3 Amp Current Rating
- ^tRR 60ns Max.

Electrical Characteristics

Average forward current
Maximum surge current
Max peak forward voltage
Max reverse recovery time
Max peak reverse current
Typical junction capacitance

I_{F(AV)} 3.0 Amps
I_{FSM} 100 Amps
V_{FM} 1.2 Volts
^tRR 60 ns
I_{RM} 10 μA
C_J 19 pF

Square wave
8.3ms, half sine, T_J = 175°C
I_{FM} = 3.0A: T_J = 25°C*
1/2A, 1A, 1/4A, T_J = 25°C
VRRM, T_J = 25°C
V_R = 10V, T_J = 25°C

*Pulse test: Pulse width 300 μsec, Duty cycle 2%

Thermal and Mechanical Characteristics

Storage temperature range
Operating junction temp range
Maximum thermal resistance
Weight

T_{STG}
T_J
R_{θJL}

-55°C to 175°C
-55°C to 175°C
25°C/W Junction to lead
.008 ounces (0.22 grams) typical

7-12-00 Rev. 1

UFS360 — UFS380

Figure 1
Typical Forward Characteristics

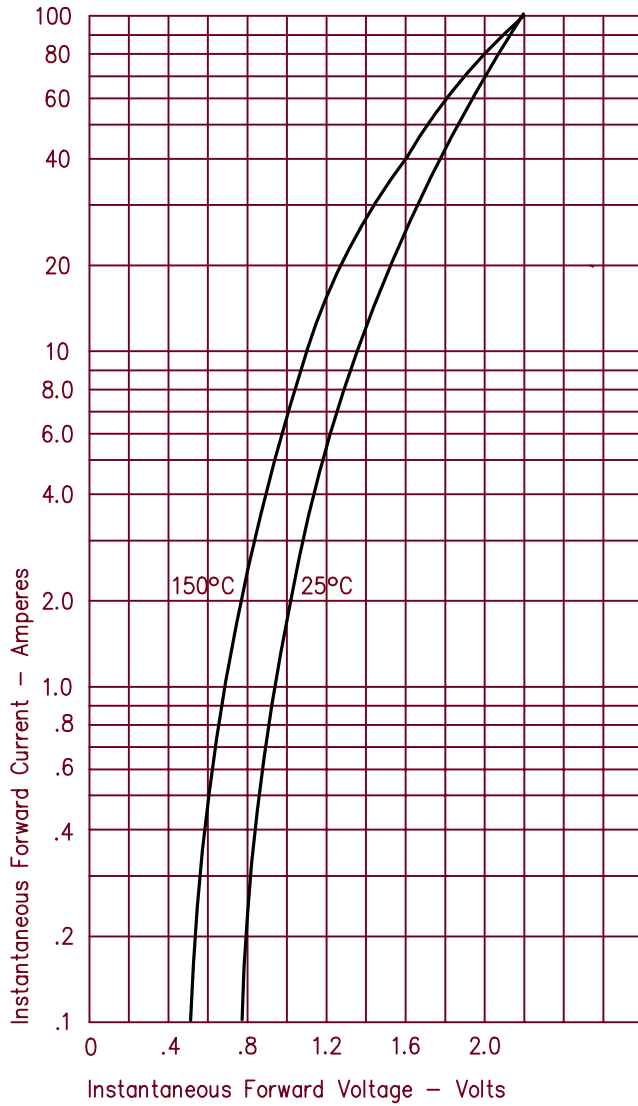


Figure 3
Typical Junction Capacitance

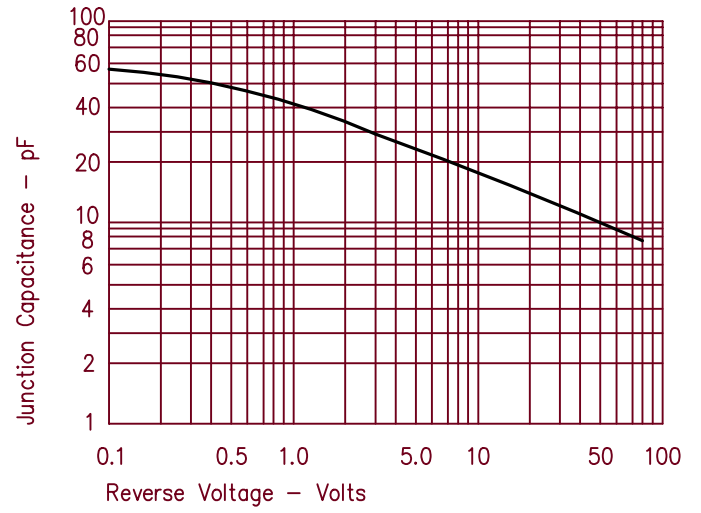


Figure 2
Typical Reverse Characteristics

