

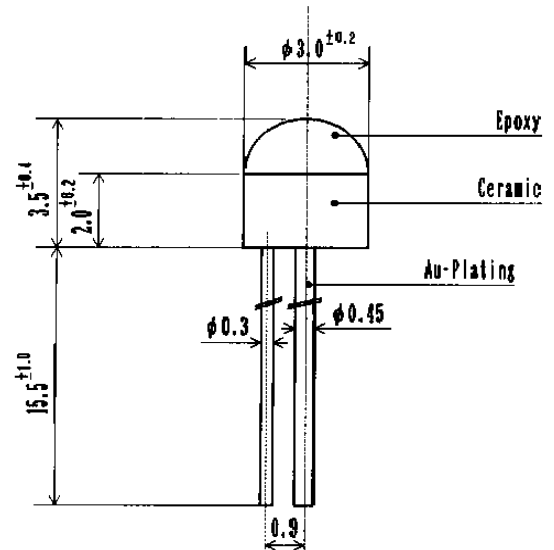
## MTD2001M

### Features

High Reliability  
Low Dark Current  
Compact Package

### Applications

Optical Switches  
Optical Sensors  
Optical Detectors



### Maximum Ratings (Ta=25°C)

Characteristic	Symbol	Max.	Test Condition	Unit
Reverse Voltage	V <sub>R</sub>	20	-	V
Power Dissipation	P <sub>D</sub>	70.00	-	mW
Operating Temperature	T <sub>opr</sub>	-20~+85	-	°C
Storage Temperature	T <sub>stg</sub>	-30 ~ +100	-	°C
Junction Temperature	T <sub>j</sub>	100	-	°C
Soldering Temperature	T <sub>sol</sub>	260	for 5 sec. max	°C

① Emitter

② Collector

### Opto-Electrical Characteristics (Ta=25°C)

Characteristic	Symbol	Test Condition	Min	Typ	Max	Unit
Open Circuit Voltage	V <sub>oc</sub>	Ee=5mW/cm <sup>2</sup>	.35	-	-	V
Light Current	I <sub>L</sub>	V <sub>r</sub> =10V, Ee=5mW/cm <sup>2</sup>	-	20.00	-	μA
Dark Current	I <sub>D</sub>	V <sub>r</sub> =10V	-	-	5	nA
Spectral Sensitivity	λ	-	-	400 ~ 1100	-	μA
Peak Sensitivity Wavelength	λ <sub>p</sub>	-	-	950	-	V
Beam Angle	θ	-	-	± 65°	-	deg.
Junction Capacitance	C <sub>j</sub>	1 MHz, V=0V	-	80	-	pF

\* Color Temperature = 2870°K Standard Tungsten Lamp

MTD2001M Graphs

