

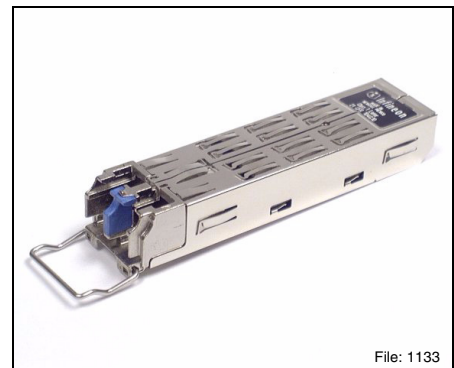
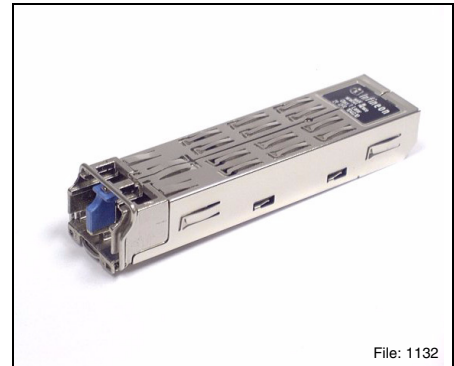
**iSFP™ - Intelligent Small Form-factor Pluggable
SONET OC-3 IR-1 / SDH STM S-1.1
Multirate Applications up to 155 Mbit/s
Single Mode 1310 nm Transceiver with LC™ Connector**

V23848-C18-C56

V23848-C19-C56

Features

- Small Form-factor Pluggable (SFP) MSA compatible transceiver¹⁾
- Fully SFF-8472 compatible
- Incorporating Intelligent – Digital Diagnostic Monitoring Interface
- Internal calibration implementation
- Advanced release mechanism
- Easy access, even in belly to belly applications
- Wire handle release for simplicity
- Color coded blue tab (single mode)
- PCI height compatible
- Excellent EMI performance
- Separate and common chassis/signal ground module concepts available
- RJ-45 style LC™ connector system
- Single power supply (3.3 V)
- Low power consumption
- Small size for high channel density
- UL-94 V-0 certified
- ESD Class 1C per JESD22-A114-B (MIL-STD 883D Method 3015.7)
- According to FCC (Class B) and EN 55022
- For distances of up to 21 km (see **Supported Link Lengths**)
- Fabry Perot laser, PIN photo diode
- Laser safety according to Class 1 FDA and IEC
- AC/AC Coupling according to MSA
- Suitable for multirate applications up to 155 Mbit/s
- Fast Ethernet (FE) compatible
- Extended operating temperature range of –40°C to 85°C
- SFP evaluation kit V23848-S5-V4 available upon request
- A press fit cage and cage plugs are available as accessory products from Infineon (see **SFP Accessories**)



¹⁾ MSA documentation can be found at www.infineon.com/fiberoptics under Transceivers, SFP Transceivers.

For ordering information see next page.

iSFP™ is a trademark of Infineon Technologies. LC™ is a trademark of Lucent.

Ordering Information

| Part Number | Chassis/Signal Grounding Concept |
|----------------|----------------------------------|
| V23848-C18-C56 | Common |
| V23848-C19-C56 | Separated |

Pin Configuration

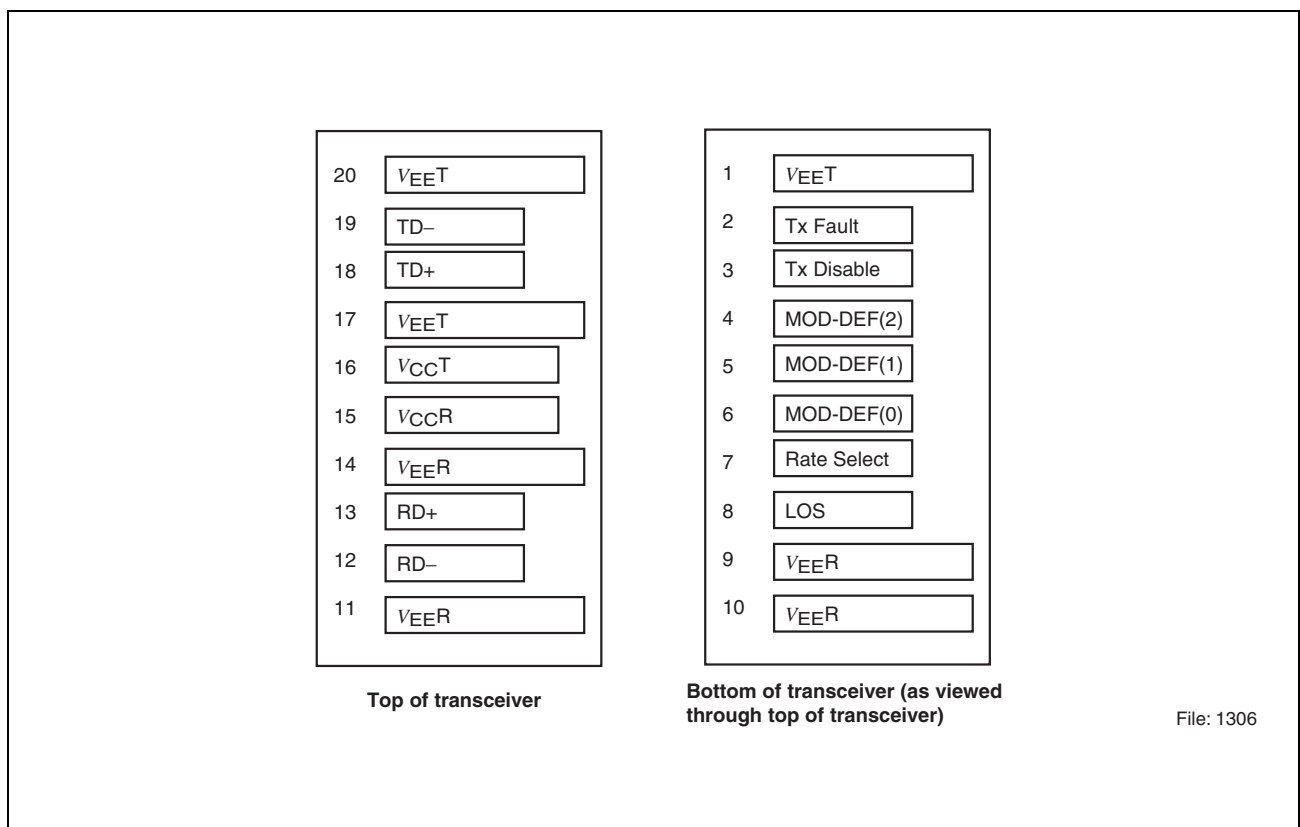


Figure 1 iSFP™ Transceiver Electrical Pad Layout

Pin Description

| Pin No. | Name | Logic Level | Function |
|---------|-------------|-------------|---|
| 1 | $V_{EE}T$ | N/A | Transmitter Ground ¹⁾ |
| 2 | Tx Fault | LVTTTL | Transmitter Fault Indication ^{2) 8)} |
| 3 | Tx Disable | LVTTTL | Transmitter Disable ³⁾ |
| 4 | MOD-DEF(2) | LVTTTL | Module Definition 2 ^{4) 8)} |
| 5 | MOD-DEF(1) | LVTTTL | Module Definition 1 ^{5) 8)} |
| 6 | MOD-DEF(0) | N/A | Module Definition 0 ^{6) 8)} |
| 7 | Rate Select | N/A | Not connected |
| 8 | LOS | LVTTTL | Loss Of Signal ^{7) 8)} |
| 9 | $V_{EE}R$ | N/A | Receiver Ground ¹⁾ |
| 10 | $V_{EE}R$ | N/A | Receiver Ground ¹⁾ |
| 11 | $V_{EE}R$ | N/A | Receiver Ground ¹⁾ |
| 12 | RD- | LVPECL | Inv. Received Data Out ⁹⁾ |
| 13 | RD+ | LVPECL | Received Data Out ⁹⁾ |
| 14 | $V_{EE}R$ | N/A | Receiver Ground ¹⁾ |
| 15 | $V_{CC}R$ | N/A | Receiver Power |
| 16 | $V_{CC}T$ | N/A | Transmitter Power |
| 17 | $V_{EE}T$ | N/A | Transmitter Ground ¹⁾ |
| 18 | TD+ | LVPECL | Transmit Data In ¹⁰⁾ |
| 19 | TD- | LVPECL | Inv. Transmit Data In ¹⁰⁾ |
| 20 | $V_{EE}T$ | N/A | Transmitter Ground ¹⁾ |

¹⁾ Common transmitter and receiver ground within the module.

²⁾ A high signal indicates a laser fault of some kind and that laser is switched off.

³⁾ A low signal switches the transmitter on. A high signal or when not connected switches the transmitter off.

⁴⁾ MOD-DEF(2) is the data line of two wire serial interface for serial ID.

⁵⁾ MOD-DEF(1) is the clock line of two wire serial interface for serial ID.

⁶⁾ MOD-DEF(0) is grounded by the module to indicate that the module is present.

⁷⁾ A low signal indicates normal operation, light is present at receiver input. A high signal indicates the received optical power is below the worst case receiver sensitivity.

⁸⁾ Should be pulled up on host board to V_{CC} by 4.7 - 10 k Ω .

⁹⁾ AC coupled inside the transceiver. Must be terminated with 100 Ω differential at the user SERDES.

¹⁰⁾ AC coupled and 100 Ω differential termination inside the transceiver.

Description

The Infineon OC-3 transceiver – part of Infineon iSFP™ family – is compatible to the Physical Medium Depend (PMD) sublayer and baseband medium compatible to SONET OC-3 IR-1 (Telcordia GR-253-CORE) and SDH STM-1 S-1.1 (ITU-T G.957).

The appropriate fiber optic cable is 9 μm single mode fiber with LC™ connector.

Supported Link Lengths

| Category within Standard | Reach | | Unit |
|--------------------------|-------|--------------------|--------|
| | min. | max. ¹⁾ | |
| SDH STM-1 S-1.1 | 0 | 15,000 | meters |
| SONET OC-3 IR-1 | 0 | 21,000 | |

¹⁾ Maximum reach over fiber type SM-G.652 as defined by ITU-T G.957 and Telcordia GR-253-CORE standards. Longer reach possible depending upon link implementation.

The Infineon iSFP™ single mode transceiver is a single unit comprised of a transmitter, a receiver, and an LC™ receptacle.

This transceiver supports the LC™ connectorization concept. It is compatible with RJ-45 style backpanels for high end datacom and telecom applications while providing the advantages of fiber optic technology.

The Infineon single mode OC-3 transceiver is a single unit comprised of a transmitter, a receiver, and an LC receptacle. This design frees the customer from many alignment and PC board layout concerns. The module is designed for low cost LAN and applications with datarates from 10 to 155 Mbit/s. It can be used as the network end device interface in workstations, servers, and storage devices, and in a broad range of network devices such as bridges, routers, and intelligent hubs, as well as local and wide area ATM switches.

This transceiver operates at up to OC-3 datarates from a single power supply (+3.3 V). The 100 Ω differential data inputs and outputs are LVPECL and CML compatible.

Functional Description of iSFP™ Transceiver

This transceiver is designed to transmit serial data via single mode cable.

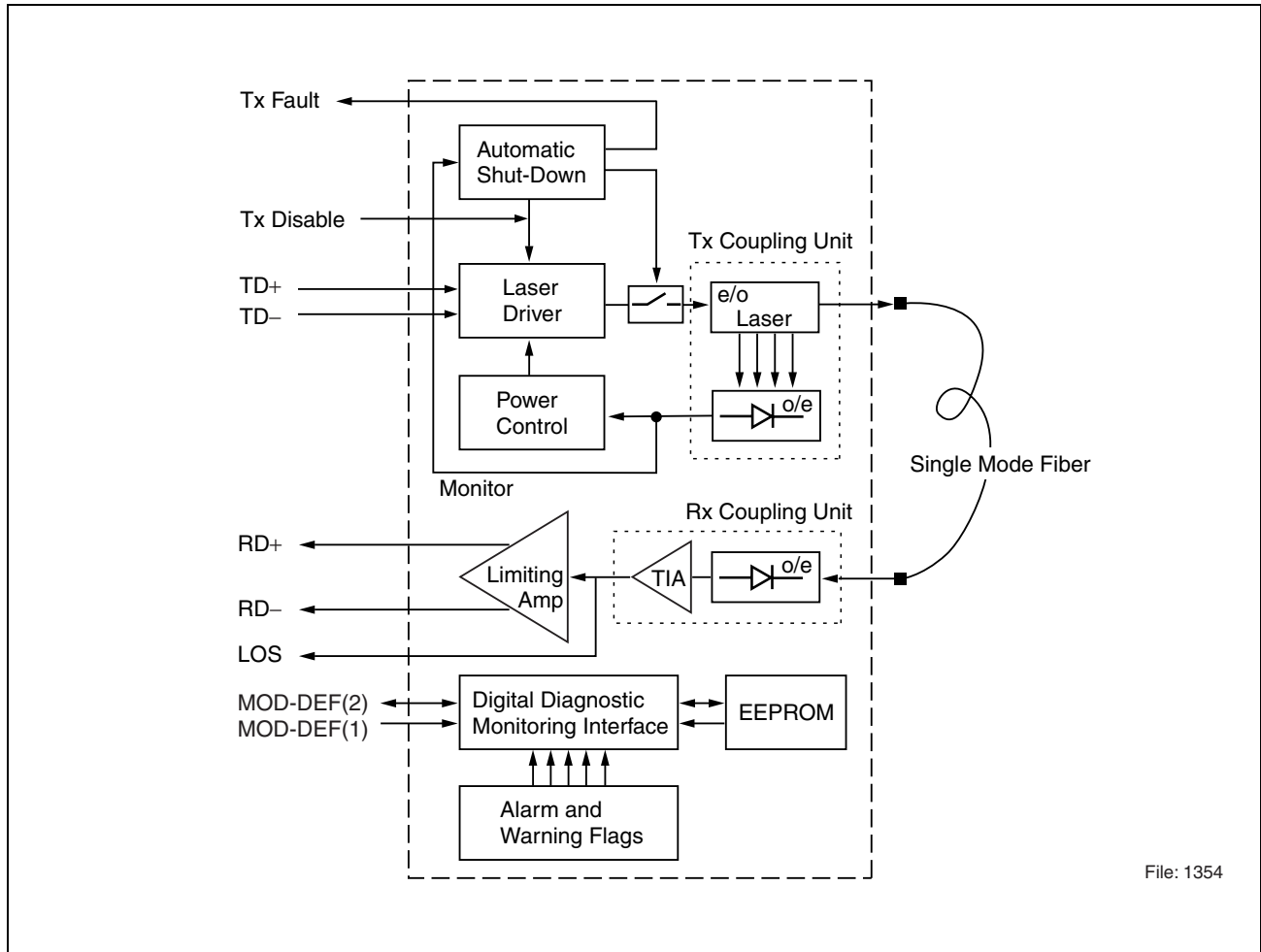


Figure 2 Functional Diagram

The receiver component converts the optical serial data into CML compatible electrical data (RD+ and RD-). The Loss Of Signal (LOS) shows whether an optical signal is present.

The transmitter converts CML compatible electrical serial data (TD+ and TD-) into optical serial data. Data lines are differentially 100 Ω terminated.

The transmitter contains a laser driver circuit that drives the modulation and bias current of the laser diode. The currents are controlled by a power control circuit to guarantee constant output power of the laser over temperature and aging. The power control uses the output of the monitor PIN diode (mechanically built into the laser coupling unit) as a controlling signal, to prevent the laser power from exceeding the operating limits.

Single fault condition is ensured by means of an integrated automatic shutdown circuit that disables the laser when it detects laser fault to guarantee the laser Eye Safety.

Description

The transceiver contains a supervisory circuit to control the power supply. This circuit makes an internal reset signal whenever the supply voltage drops below the reset threshold. It keeps the reset signal active for at least 140 milliseconds after the voltage has risen above the reset threshold. During this time the laser is inactive.

A low signal on TxDis enables transmitter. If TxDis is high or not connected the transmitter is disabled.

An enhanced Digital Diagnostic Monitoring Interface (Intelligent) has been incorporated into the Infineon Small Form-factor Pluggable (SFP) transceiver. This allows real time access to transceiver operating parameters, based on the SFF-8472.

This transceiver features Internal Calibration. Measurements are calibrated over operating temperature and voltage and must be interpreted as defined in SFF-8472.

The transceiver generates this diagnostic data by digitization of internal analog signals monitored by a new diagnostic Integrated Circuit (IC).

This diagnostic IC has inbuilt sensors to include alarm and warning thresholds. These threshold values are set during device manufacture and therefore allow the user to determine when a particular value is outside of its operating range.

Alarm and Warning Flags are given. Alarm Flags indicate conditions likely to be associated with an inoperational link and cause for immediate action. Warning Flags indicate conditions outside the normally guaranteed bounds but not necessarily causes of immediate link failures.

These enhanced features are in addition to the existing SFP features provided by the manufacturer i.e. serial number and other vendor specific data.

The serial ID interface defines a 256 byte memory map in EEPROM, accessible over a 2 wire, serial interface at the 8 bit address 1010000X (A0h).

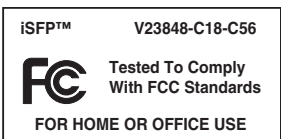
The Digital Diagnostic Monitoring Interface makes use of the 8 bit address 1010001X (A2h), so the originally defined serial ID memory map remains unchanged and is therefore backward compatible.

Digital Diagnostic Monitoring Parameters

| Parameter | Accuracy SFF-8472 | Accuracy Actual |
|-------------------------|--------------------------|------------------------|
| Tx Optical Power | ±3 dB | ±2 dB |
| Rx Optical Power | ±3 dB | ±3 dB |
| Bias Current | ±10% | ±10% |
| Power Supply Voltage | ±3% | ±3% |
| Transceiver Temperature | ±3°C | ±3°C |

Description

Regulatory Compliance (EMI)

| Feature | Standard | Comments |
|---|---|--|
| ESD: Electrostatic Discharge to the Electrical Pins | EIA/JESD22-A114-B (MIL-STD 883D method 3015.7) | Class 1C |
| Immunity: Against Electrostatic Discharge (ESD) to the Duplex LC Receptacle | EN 61000-4-2 IEC 61000-4-2 | Discharges ranging from ± 2 kV to ± 15 kV on the receptacle cause no damage to transceiver (under recommended conditions). |
| Immunity: Against Radio Frequency Electromagnetic Field | EN 61000-4-3 IEC 61000-4-3 | With a field strength of 10 V/m, noise frequency ranges from 10 MHz to 2 GHz. No effect on transceiver performance between the specification limits. |
| Emission: Radiated Field Strength | FCC 47 CFR Part 15, Class B CISPR 22 EN 55022 Class B | Noise frequency range: 30 MHz to 18 GHz |
|  | | <p>This device complies with part 15 of the FCC Rules²⁾. Operation is subject to the following two conditions:</p> <ol style="list-style-type: none"> 1 This device may not cause harmful interference. 2 This device must accept any interference received, including interference that may cause undesired operation. |

¹⁾ Only for V23848-C18-C56.

²⁾ Any kind of modification not expressly approved by Infineon Technologies may affect the regulatory compliance of the concerned product. As a consequence thereof this could void the user's authority to operate the equipment.

Technical Data

Absolute Maximum Ratings

| Parameter | Symbol | Limit Values | | Unit |
|--|-----------------|--------------|--------------|------|
| | | min. | max. | |
| Data Input Voltage | $V_{ID\ max}$ | | $V_{CC}+0.5$ | V |
| Differential Data Input Voltage Swing | $V_{ID\ pk-pk}$ | | 5 | V |
| Storage Ambient Temperature | T_S | -40 | 85 | °C |
| Operating Case Temperature ¹⁾ | T_C | -40 | 85 | °C |
| Storage Relative Humidity | RH_s | 5 | 95 | % |
| Operating Relative Humidity | RH_o | 5 | 85 | % |
| Supply Voltage | $V_{CC\ max}$ | | 4 | V |
| Data Output Current | I_{data} | | 50 | mA |
| Receiver Optical Input Power | $Rx_P\ max$ | | 3 | dBm |

¹⁾ Operating case temperature measured at transceiver reference point (in cage through 2nd centre hole from rear, see **Figure 9**).

Exceeding any one of these values may permanently destroy the device.

Electrical Characteristics ($V_{CC} = 2.97\text{ V to }3.63\text{ V}$, $T_C = -40^\circ\text{C to }85^\circ\text{C}$)

| Parameter | Symbol | Values | | | Unit |
|--|-----------------|----------|------|----------|-----------|
| | | min. | typ. | max. | |
| Common | | | | | |
| Supply Voltage | $V_{CC}-V_{EE}$ | 2.97 | 3.3 | 3.63 | V |
| In-rush Current ¹⁾ | $I_{IR\ max}$ | | | 30 | mA |
| Power Dissipation | P | | | 1 | W |
| Transmitter | | | | | |
| Differential Data Input Voltage Swing ²⁾ | $V_{ID\ pk-pk}$ | 500 | | 3200 | mV |
| Tx Disable Voltage | Tx_{Dis} | 2 | | V_{CC} | V |
| Tx Enable Voltage | Tx_{En} | V_{EE} | | 0.8 | V |
| Tx Fault High Voltage | Tx_{FH} | 2.4 | | V_{CC} | V |
| Tx Fault Low Voltage | Tx_{FL} | V_{EE} | | 0.5 | V |
| Supply Current ³⁾ | I_{Tx} | | | 150 | mA |
| Receiver | | | | | |
| Differential Data Output Voltage Swing ⁴⁾ | $V_{OD\ pk-pk}$ | 500 | | 1000 | mV |
| LOS Active | LOS_A | 2.4 | | V_{CC} | V |
| LOS Normal | LOS_N | V_{EE} | | 0.5 | V |
| Rise Time ⁵⁾ | t_{R-Rx} | | 120 | | ps |
| Fall Time ⁵⁾ | t_{F-Rx} | | 120 | | ps |
| Power Supply Noise Rejection ⁶⁾ | PSNR | | 100 | | mV_{pp} |
| Supply Current ^{3) 7)} | I_{Rx} | | | 130 | mA |

¹⁾ Measured with MSA recommended supply filter network (**Figure 7**). Maximum value above that of the steady state value.

²⁾ Internally AC coupled. Typical 100 Ω differential input impedance.

³⁾ MSA defines maximum current at 300 mA.

⁴⁾ Internally AC coupled. Load 50 Ω to GND or 100 Ω differential. For dynamic measurement a tolerance of 50 mV should be added.

⁵⁾ Measured values are 20% - 80%.

⁶⁾ Measured using a 20 Hz to 1 MHz sinusoidal modulation with the MSA recommended power supply filter network (**Figure 7**) in place. A change in sensitivity of less than 1 dB can be typically expected.

⁷⁾ Supply current excluding Rx output load.

Optical Characteristics ($V_{CC} = 2.97\text{ V to }3.63\text{ V}$, $T_C = -40^\circ\text{C to }85^\circ\text{C}$)

| Parameter | Symbol | Values | | | Unit |
|--|---------------------------|--------|-------------------|-------------------|------|
| | | min. | typ. | max. | |
| Transmitter | | | | | |
| Launched Power (Average) ¹⁾ | P_O | -15 | | -8 | dBm |
| Extinction Ratio (Dynamic) | ER | 8.2 | | | dB |
| Center Wavelength | λ_C | 1270 | | 1355 | nm |
| Spectral Width (rms) | σ_I | | | 2.5 | nm |
| Tx Disable Laser Output Power | $P_{O-TxDis}$ | | | -50 | dBm |
| Optical Eye Mask ²⁾ | According to standards | | | | |
| Jitter Generation (pk-pk) ³⁾ | $J_{pk-pk\ Tx}$ | | 0.033 | 0.045 | UI |
| Jitter Generation (rms) ³⁾ | $J_{rms\ Tx}$ | | 0.001 | 0.0025 | UI |
| Rise Time ⁴⁾ | t_{R-Tx} | | 40 | | ps |
| Fall Time ⁴⁾ | t_{F-Tx} | | 155 | | ps |
| Receiver⁵⁾ | | | | | |
| Saturation (Average Power) ⁶⁾ | P_{SAT} | -8 | | | dBm |
| Sensitivity (Average Power) ⁷⁾ @ 155 Mbit/s @ 125 Mbit/s @ 10 Mbit/s ⁸⁾ | P_{IN} | | -32 -32 -35 | -28 -28 -28 | dBm |
| LOS Assert Level ⁹⁾ | P_{LOSA} | -39 | | | dBm |
| LOS Deassert Level ⁹⁾ | P_{LOSD} | | | -30 | dBm |
| LOS Hysteresis ⁹⁾ | P_{LOSA} $-P_{LOSD}$ | 0.5 | 3 | | dB |
| Input Center Wavelength | λ_C | 1260 | | 1580 | nm |

¹⁾ Into single mode fiber, 9 μm diameter.

²⁾ Transmitter eye is according to ITU-T G.957 S-1.1 and SONET OC-3 IR-1. Measured with 10% eye mask margin.

³⁾ The transceiver is specified to meet the SONET/SDH Jitter performance as outlined in ITU-T G.958 and Telcordia GR-253. Jitter Generation is defined as the amount of jitter that is generated by the transceiver. The Jitter Generation specifications are referenced to the optical OC-3 signals. If no or minimum jitter is applied to the electrical inputs of the transmitter, then Jitter Generation can simply be defined as the amount of jitter on the Tx optical output. The SONET specifications for Jitter Generation are 0.01 UI rms, maximum and 0.1 UI pk-pk, maximum. For SDH, 10 mUI rms, maximum. Both are measured with a 12 kHz - 1.3 MHz filter in line. A UI is a Unit Interval, which is equivalent to one bit slot.

⁴⁾ Values are 20% - 80%, filtered and measured at nominal data rate.

⁵⁾ Receiver characteristics are measured with a worst case reference laser.

⁶⁾ At 9 dB Extinction Ratio of the incoming signal.

- 7) Minimum average optical power at which the BER is less than 1×10^{-10} . Measured with a $2^{23}-1$ NRZ PRBS as recommended by ANSI T1E1.2, SONET, and ITU-T G.957.
- 8) 8B/10B, K28.5 and equivalent coding only.
- 9) See **Figure 3**.

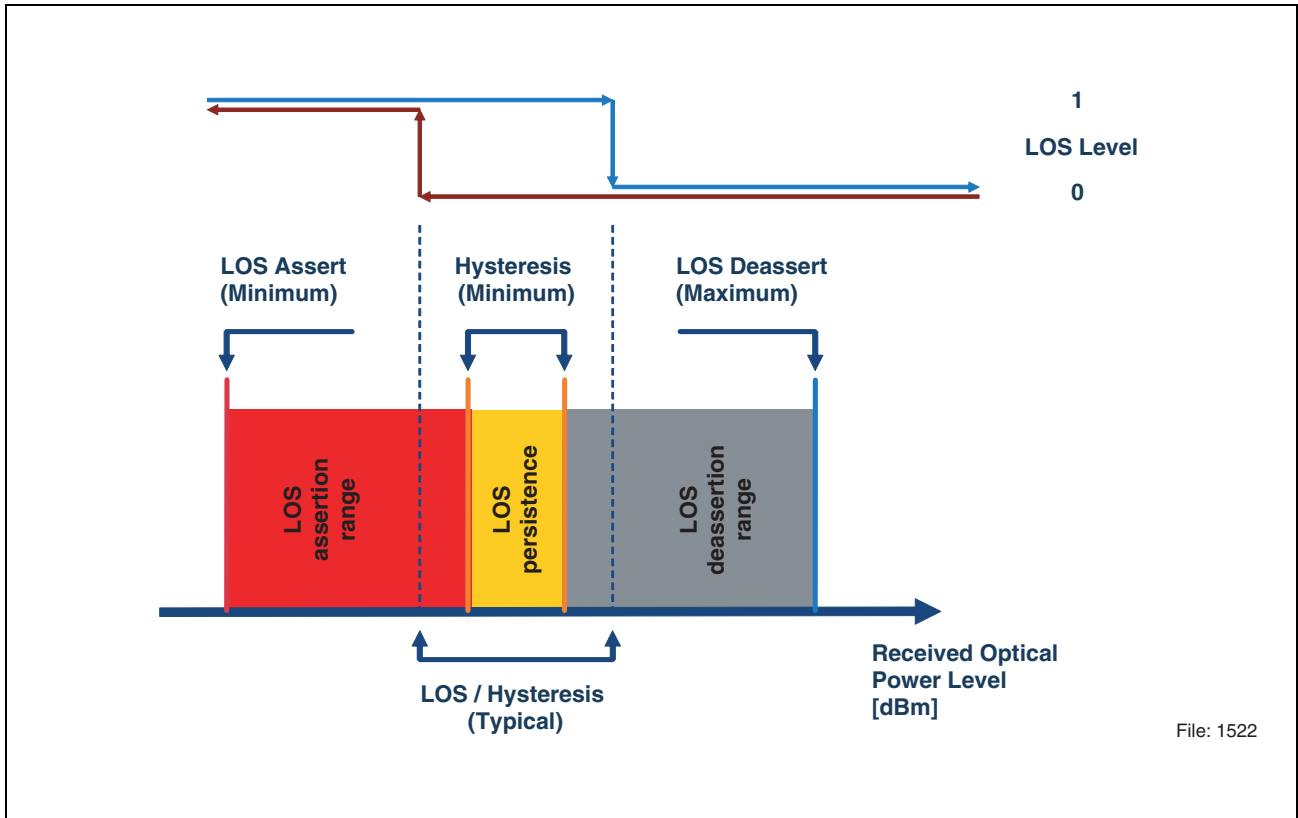


Figure 3

Timing of Control and Status I/O

| Parameter | Symbol | Values | | Unit | Condition |
|---|------------|--------|------|------|--|
| | | min. | max. | | |
| Tx Disable Assert Time | t_off | | 10 | µs | Time from rising edge of Tx Disable to when the optical output falls below 10% of nominal |
| Tx Disable Negate Time | t_on | | 1 | ms | Time from falling edge of Tx Disable to when the modulated optical output rises above 90% of nominal |
| Time to Initialize, Including Reset of Tx Fault | t_init | | 300 | ms | From power on or negation of Tx Fault using Tx Disable |
| Tx Fault Assert Time | t_fault | | 100 | µs | Time from fault to Tx Fault on |
| Tx Disable to Reset | t_reset | 10 | | µs | Time Tx Disable must be held high to reset Tx Fault |
| LOS Assert Time | t_loss_on | | 100 | µs | Time from LOS state to Rx LOS assert |
| LOS Deassert Time | t_loss_off | | 100 | µs | Time from non-LOS state to Rx LOS deassert |

I/O Timing of Soft Control and Status Functions

| Parameter | Symbol | Max. Value | Unit | Condition |
|---|----------------|------------|------|--|
| Tx Disable assert time | t_off | 100 | ms | Time from Tx Disable bit set ¹⁾ until optical output falls below 10% of nominal |
| Tx Disable deassert time | t_on | 100 | ms | Time from Tx Disable bit cleared until optical output rises above 90% of nominal |
| Time to initialize, including reset of Tx Fault | t_init | 300 | ms | Time from power on or negation of Tx Fault using Tx Disable until transmitter output is stable ²⁾ |
| Tx Fault assert time | t_fault | 100 | ms | Time from fault to Tx Fault bit set |
| LOS assert time | t_loss_on | 100 | ms | Time from LOS state to Rx LOS bit set |
| LOS deassert time | t_loss_off | 100 | ms | Time from non-LOS state to Rx LOS bit cleared |
| Rate select change time ³⁾ | t_rate_sel | 100 | ms | Time from change of state of Rate Select bit ¹⁾ until receiver bandwidth is in conformance with appropriate specification |
| Serial ID clock rate ⁴⁾ | f_serial_clock | 400 | kHz | N/A |
| Analog parameter data ready | t_data | 1000 | ms | From power on to data ready, bit 0 of byte 110 set |
| Serial bus hardware ready | t_serial | 300 | ms | Time from power on until module is ready for data transmission |

¹⁾ Measured from falling clock edge after stop bit of write transaction.

²⁾ See Gigabit Interface Converter (GBIC). SFF-0053, Rev. 5.5, September 27, 2000.

³⁾ Not implemented.

⁴⁾ The maximum clock rate of the serial interface is defined by the I²C bus interface standard.

Eye Safety

This laser based single mode transceiver is a Class 1 product. It complies with IEC 60825-1/A2: 2001 and FDA performance standards for laser products (21 CFR 1040.10 and 1040.11) except for deviations pursuant to Laser Notice 50, dated July 26, 2001.

CLASS 1 LASER PRODUCT

To meet laser safety requirements the transceiver shall be operated within the Absolute Maximum Ratings.

Note: All adjustments have been made at the factory prior to shipment of the devices. No maintenance or alteration to the device is required.

Tampering with or modifying the performance of the device will result in voided product warranty.

Failure to adhere to the above restrictions could result in a modification that is considered an act of "manufacturing", and will require, under law, recertification of the modified product with the U.S. Food and Drug Administration (ref. 21 CFR 1040.10 (i)).

Laser Emission Data

| | |
|--|--------------------|
| Wavelength | 1310 nm |
| Maximum total output power (as defined by IEC: 7 mm aperture at 14 mm distance) | 15.6 mW / 11.9 dBm |
| Beam divergence (full angle) / NA (half angle) | 11° / 0.1 rad |

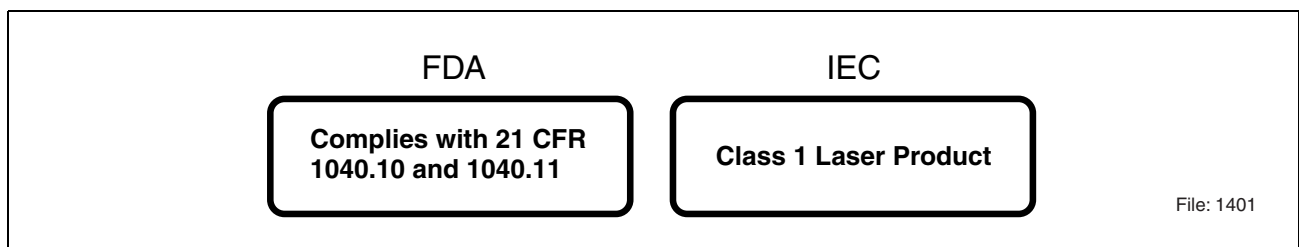


Figure 4 Required Labels

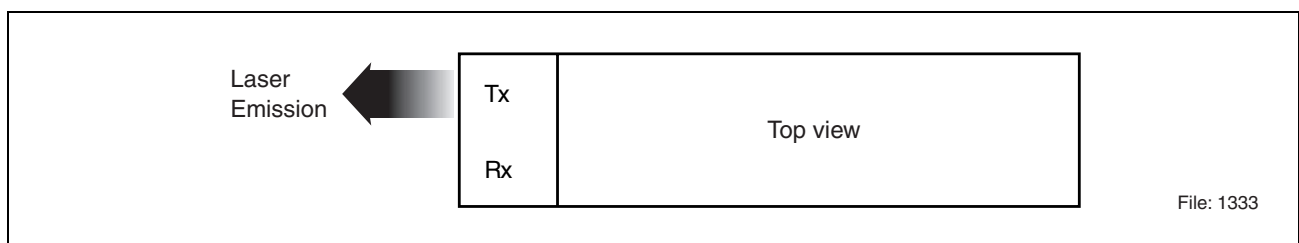


Figure 5 Laser Emission

Application Notes

EMI Recommendations

To avoid electromagnetic radiation exceeding the required limits set by the standards, please take note of the following recommendations.

When Gigabit switching components are found on a PCB (e.g. multiplexer, serializer-deserializer, clock data recovery, etc.), any opening of the chassis may leak radiation; this may also occur at chassis slots other than that of the device itself. Thus every mechanical opening or aperture should be as small as feasible and its length carefully considered.

On the board itself, every data connection should be an impedance matched line (e.g. strip line or coplanar strip line). Data (D) and Data-not (Dn) should be routed symmetrically. Vias should be avoided. Where internal termination inside an IC or a transceiver is not present, a line terminating resistor must be provided. The decision of how best to establish a ground depends on many boundary conditions. This decision may turn out to be critical for achieving lowest EMI performance. At RF frequencies the ground plane will always carry some amount of RF noise. Thus the ground and V_{CC} planes are often major radiators inside an enclosure. As a general rule, for small systems such as PCI cards placed inside poorly shielded enclosures, the common ground scheme has often proven to be most effective in reducing RF emissions. In a common ground scheme, the PCI card becomes more equipotential with the chassis ground. As a result, the overall radiation will decrease. In a common ground scheme, it is strongly recommended to provide a proper contact between signal ground and chassis ground at every location where possible. This concept is designed to avoid hotspots which are places of highest radiation, caused when only a few connections between chassis and signal grounds exist. Compensation currents would concentrate at these connections, causing radiation. However, as signal ground may be the main cause for parasitic radiation, connecting chassis ground and signal ground at the wrong place may result in enhanced RF emissions.

For example, connecting chassis ground and signal ground at a front panel/bezel/chassis by means of a fiber optic transceiver/cage may result in a large amount of radiation especially where combined with an inadequate number of grounding points between signal ground and chassis ground. Thus the transceiver becomes a single contact point increasing radiation emissions. Even a capacitive coupling between signal ground and chassis ground may be harmful if it is too close to an opening or an aperture. For a number of systems, enforcing a strict separation of signal ground from chassis ground may be advantageous, providing the housing does not present any slots or other discontinuities. This separate ground concept seems to be more suitable in large systems where appropriate shielding measures have also been implemented.

In many situations the question on which ground concept to implement in the design cannot be easily decided prior to the receipt of first EMI measurement results. Infineon thus offers both module versions; V23848-Xx8-Xxx for common ground and V23848-Xx9-Xxx for separate ground concept.

The return path of RF current must also be considered. Thus a split ground plane between Tx and Rx paths may result in severe EMI problems irrespective of which module ground concept has been applied.

The bezel opening for a transceiver should be sized so that all contact springs of the transceiver cage make good electrical contact with the face plate. Please consider that the PCB may behave like a dielectric waveguide. With a dielectric constant of 4, the wavelength of the harmonics inside the PCB will be half of that in free space. Thus even the smallest PCBs may have unexpected resonances.

Large systems can have many openings in the front panel for SFP transceivers. In typical applications, not all of these ports will hold transceivers; some may be intentionally left empty. These empty slots may emit significant amounts of radiation. Thus it is recommended that empty ports be plugged with an EMI plug as shown in **Figure 6**. Infineon offers an EMI/dust plug, P/N V23818-S5-B1.

SFP Accessories

Cage:
Infineon Technologies
Part Number: V23838-S5-N1/V23838-S5-N1-BB

Host Board Connector:
Tyco Electronics
Part Number: 1367073-1

Cage EMI/Dust Plug:
Infineon Technologies
Part Number: V23818-S5-B1

Cage Dust Plug:
Infineon Technologies
Part Number: V23818-S5-B2

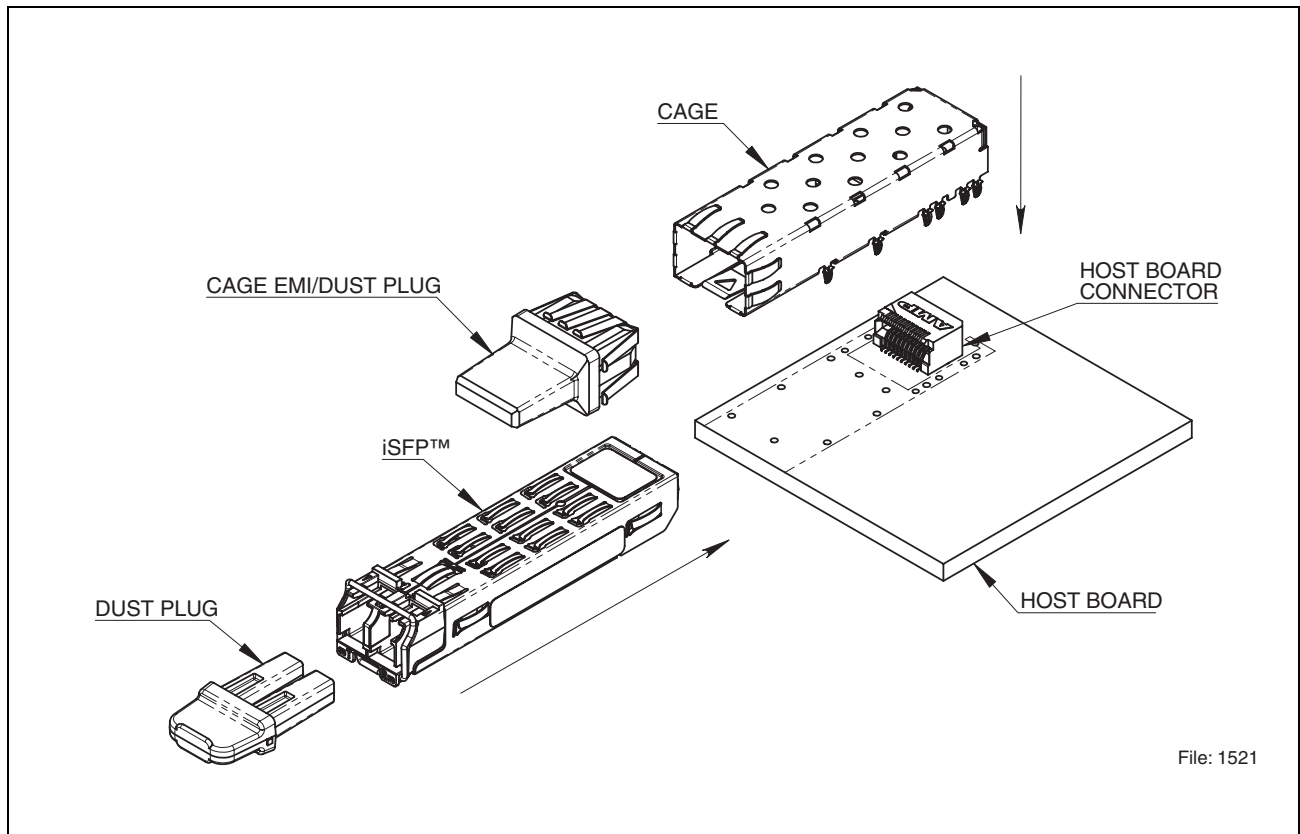


Figure 6

EEPROM Serial ID Memory Contents (A0h), V23848-C18-C56

| Addr. | Hex | ASCII | Name/Description | Addr. | Hex | ASCII | Name/Description |
|-------|-----|-------|-----------------------------------|-------|-----|------------------------------|---|
| 0 | 03 | | Identifier | 32 | 47 | G | Vendor name |
| 1 | 04 | | Extended identifier | 33 | 6D | m | |
| 2 | 07 | | Connector | 34 | 62 | b | |
| 3 | 00 | | Transceiver optical compatibility | 35 | 48 | H | |
| 4 | 10 | | | 36 | 00 | | |
| 5 | 02 | | | 37 | 00 | | Vendor OUI |
| 6 | 00 | | | 38 | 03 | | |
| 7 | 00 | | | 39 | 19 | | |
| 8 | 00 | | | 40 | 56 | V | Vendor part number |
| 9 | 00 | | | 41 | 32 | 2 | |
| 10 | 00 | | 42 | 33 | 3 | | |
| 11 | 05 | | 43 | 38 | 8 | | |
| 12 | 02 | | 44 | 34 | 4 | | |
| 13 | 00 | | 45 | 38 | 8 | | |
| 14 | 0F | | 46 | 2D | - | | |
| 15 | 96 | | 47 | 43 | C | | |
| 16 | 00 | | 48 | 31 | 1 | | |
| 17 | 00 | | 49 | 38 | 8 | | |
| 18 | 00 | | 50 | 2D | - | | |
| 19 | 00 | | 51 | 43 | C | | |
| 20 | 49 | l | Vendor name | 52 | 35 | 5 | |
| 21 | 6E | n | | 53 | 36 | 6 | |
| 22 | 66 | f | | 54 | 20 | | |
| 23 | 69 | i | | 55 | 20 | | |
| 24 | 6E | n | | 56 | 46 | F | Vendor revision, product status dependent |
| 25 | 65 | e | | 57 | 33 | 3 | |
| 26 | 6F | o | | 58 | 41 | A | |
| 27 | 6E | n | | 59 | 39 | 9 | |
| 28 | 20 | | | 60 | 05 | | Wavelength |
| 29 | 46 | F | | 61 | 1E | | |
| 30 | 4F | O | 62 | 00 | | Reserved | |
| 31 | 20 | | 63 | BA | | Check sum of bytes 0 - 62 | |

EEPROM Serial ID Memory Contents (A0h), V23848-C18-C56 (cont'd)

| Addr. | Hex | ASCII | Name/Description | Addr. | Hex | ASCII | Name/Description |
|-------|-----|-------|---|-----------|-----|-------|--|
| 64 | 00 | | Transceiver signal options | 96 | 20 | | Vendor specific EEPROM |
| 65 | 1A | | | 97 | 20 | | |
| 66 | 00 | | BR, maximum | 98 | 20 | | |
| 67 | 5E | | BR, minimum | 99 | 20 | | |
| 68 | | | Vendor serial number | 100 | 20 | | |
| 69 | | | | 101 | 20 | | |
| 70 | | | | 102 | 20 | | |
| 71 | | | | 103 | 20 | | |
| 72 | | | | 104 | 20 | | |
| 73 | | | | 105 | 20 | | |
| 74 | | | | 106 | 20 | | |
| 75 | | | | 107 | 20 | | |
| 76 | 20 | | | 108 | 20 | | |
| 77 | 20 | | | 109 | 20 | | |
| 78 | 20 | | | 110 | 20 | | |
| 79 | 20 | | | 111 | 20 | | |
| 80 | 20 | | | 112 | 20 | | |
| 81 | 20 | | | 113 | 20 | | |
| 82 | 20 | | | 114 | 20 | | |
| 83 | 20 | | | 115 | 20 | | |
| 84 | | | Vendor manufacturing date code | 116 | 20 | | |
| 85 | | | | 117 | 20 | | |
| 86 | | | | 118 | 20 | | |
| 87 | | | | 119 | 20 | | |
| 88 | | | | 120 | 20 | | |
| 89 | | | | 121 | 20 | | |
| 90 | 20 | | | 122 | 20 | | |
| 91 | 20 | | | 123 | 20 | | |
| 92 | 68 | | | 124 | 20 | | |
| 93 | B0 | | Enhanced options | 125 | 20 | | |
| 94 | 01 | | SFF-8472 compliance | 126 | 20 | | |
| 95 | | | Low order 8 bits of the sum of the contents of all the bytes from byte 64 to byte 94, inclusive | 127 | 20 | | |
| | | | | 128 - 255 | 00 | | Vendor specific. Reserved for future use |

EEPROM Serial ID Memory Contents (A0h), V23848-C19-C56

| Addr. | Hex | ASCII | Name/Description | Addr. | Hex | ASCII | Name/Description | |
|-------|-----|-------|-----------------------------------|------------|-----|------------------------------|---|--------------------|
| 0 | 03 | | Identifier | 32 | 47 | G | Vendor name | |
| 1 | 04 | | Extended identifier | 33 | 6D | m | | |
| 2 | 07 | | Connector | 34 | 62 | b | | |
| 3 | 00 | | Transceiver optical compatibility | 35 | 48 | H | | |
| 4 | 10 | | | 36 | 00 | | Reserved | |
| 5 | 02 | | | Vendor OUI | 37 | 00 | | |
| 6 | 00 | | | | 38 | 03 | | |
| 7 | 00 | | | | 39 | 19 | | |
| 8 | 00 | | | Encoding | 40 | 56 | V | Vendor part number |
| 9 | 00 | | | | 41 | 32 | 2 | |
| 10 | 00 | | 42 | | 33 | 3 | | |
| 11 | 05 | | 43 | | 38 | 8 | | |
| 12 | 02 | | 44 | | 34 | 4 | | |
| 13 | 00 | | 45 | | 38 | 8 | | |
| 14 | 0F | | 46 | | 2D | - | | |
| 15 | 96 | | 47 | | 43 | C | | |
| 16 | 00 | | 48 | | 31 | 1 | | |
| 17 | 00 | | 49 | | 39 | 9 | | |
| 18 | 00 | | 50 | 2D | - | | | |
| 19 | 00 | | 51 | 43 | C | | | |
| 20 | 49 | l | Vendor name | 52 | 35 | 5 | | |
| 21 | 6E | n | | 53 | 36 | 6 | | |
| 22 | 66 | f | | 54 | 20 | | | |
| 23 | 69 | i | | 55 | 20 | | | |
| 24 | 6E | n | | 56 | 46 | F | Vendor revision, product status dependent | |
| 25 | 65 | e | | 57 | 33 | 3 | | |
| 26 | 6F | o | | 58 | 41 | A | | |
| 27 | 6E | n | | 59 | 39 | 9 | | |
| 28 | 20 | | | Wavelength | 60 | 05 | | |
| 29 | 46 | F | | | 61 | 1E | | |
| 30 | 4F | O | 62 | 00 | | Reserved | | |
| 31 | 20 | | 63 | BB | | Check sum of bytes 0 - 62 | | |

EEPROM Serial ID Memory Contents (A0h), V23848-C19-C56 (cont'd)

| Addr. | Hex | ASCII | Name/Description | Addr. | Hex | ASCII | Name/Description |
|-------|-----|-------|---|-----------|-----|-------|--|
| 64 | 00 | | Transceiver signal options | 96 | 20 | | Vendor specific EEPROM |
| 65 | 1A | | | 97 | 20 | | |
| 66 | 00 | | BR, maximum | 98 | 20 | | |
| 67 | 5E | | BR, minimum | 99 | 20 | | |
| 68 | | | Vendor serial number | 100 | 20 | | |
| 69 | | | | 101 | 20 | | |
| 70 | | | | 102 | 20 | | |
| 71 | | | | 103 | 20 | | |
| 72 | | | | 104 | 20 | | |
| 73 | | | | 105 | 20 | | |
| 74 | | | | 106 | 20 | | |
| 75 | | | | 107 | 20 | | |
| 76 | 20 | | | 108 | 20 | | |
| 77 | 20 | | | 109 | 20 | | |
| 78 | 20 | | | 110 | 20 | | |
| 79 | 20 | | | 111 | 20 | | |
| 80 | 20 | | | 112 | 20 | | |
| 81 | 20 | | | 113 | 20 | | |
| 82 | 20 | | | 114 | 20 | | |
| 83 | 20 | | | 115 | 20 | | |
| 84 | | | Vendor manufacturing date code | 116 | 20 | | |
| 85 | | | | 117 | 20 | | |
| 86 | | | | 118 | 20 | | |
| 87 | | | | 119 | 20 | | |
| 88 | | | | 120 | 20 | | |
| 89 | | | | 121 | 20 | | |
| 90 | 20 | | | 122 | 20 | | |
| 91 | 20 | | | 123 | 20 | | |
| 92 | 68 | | | 124 | 20 | | |
| 93 | B0 | | Enhanced options | 125 | 20 | | |
| 94 | 01 | | SFF-8472 compliance | 126 | 20 | | |
| 95 | | | Low order 8 bits of the sum of the contents of all the bytes from byte 64 to byte 94, inclusive | 127 | 20 | | |
| | | | | 128 - 255 | 00 | | Vendor specific. Reserved for future use |

Digital Diagnostic Monitoring Interface – Intelligent
Alarm and Warning Thresholds (2-Wire Address A2h)

| Address | # Bytes | Name | Description | Value |
|---------|---------|-----------------------|--|----------------------|
| 00 - 01 | 2 | Temp High Alarm | MSB at low address | 95°C ¹⁾ |
| 02 - 03 | 2 | Temp Low Alarm | MSB at low address | -40°C ¹⁾ |
| 04 - 05 | 2 | Temp High Warning | MSB at low address | 90°C ¹⁾ |
| 06 - 07 | 2 | Temp Low Warning | MSB at low address | -35°C ¹⁾ |
| 08 - 09 | 2 | Voltage High Alarm | MSB at low address | 3.7 V ²⁾ |
| 10 - 11 | 2 | Voltage Low Alarm | MSB at low address | 2.85 V ²⁾ |
| 12 - 13 | 2 | Voltage High Warning | MSB at low address | 3.63 V ²⁾ |
| 14 - 15 | 2 | Voltage Low Warning | MSB at low address | 2.97 V ²⁾ |
| 16 - 17 | 2 | Bias High Alarm | MSB at low address | 70 mA |
| 18 - 19 | 2 | Bias Low Alarm | MSB at low address | 4 mA |
| 20 - 21 | 2 | Bias High Warning | MSB at low address | 60 mA |
| 22 - 23 | 2 | Bias Low Warning | MSB at low address | 5 mA |
| 24 - 25 | 2 | Tx Power High Alarm | MSB at low address | -7 dBm |
| 26 - 27 | 2 | Tx Power Low Alarm | MSB at low address | -16 dBm |
| 28 - 29 | 2 | Tx Power High Warning | MSB at low address | -8 dBm |
| 30 - 31 | 2 | Tx Power Low Warning | MSB at low address | -15 dBm |
| 32 - 33 | 2 | Rx Power High Alarm | MSB at low address | -7 dBm |
| 34 - 35 | 2 | Rx Power Low Alarm | MSB at low address | -32 dBm |
| 36 - 37 | 2 | Rx Power High Warning | MSB at low address | -8 dBm |
| 38 - 39 | 2 | Rx Power Low Warning | MSB at low address | -28 dBm |
| 40 - 55 | 16 | Reserved | Reserved for future monitored quantities | |

¹⁾ A delta exists between actual transceiver temperature and value shown as measurement is taken internal to an IC located on the underside of the iSFPTM PCB.

²⁾ Transceiver voltage measured after input filter with typical 0.1 V voltage drop.

Calibration Constants for External Calibration Option (2-Wire Address A2h)

| Address | # Bytes | Name | Description | Value |
|---------|---------|-----------------|---|-------|
| 56 - 59 | 4 | Rx_PWR (4) | Single precision floating point calibration data, Rx optical power. | 0 |
| 60 - 63 | 4 | Rx_PWR (3) | | 0 |
| 64 - 67 | 4 | Rx_PWR (2) | | 0 |
| 68 - 71 | 4 | Rx_PWR (1) | | 1 |
| 72 - 75 | 4 | Rx_PWR (0) | | 0 |
| 76 - 77 | 2 | Tx_I (Slope) | Fixed decimal (unsigned) calibration data, laser bias current. | 1 |
| 78 - 79 | 2 | Tx_I (Offset) | Fixed decimal (signed two's complement) calibration data, laser bias current. | 0 |
| 80 - 81 | 2 | Tx_PWR (Slope) | Fixed decimal (unsigned) calibration data, transmitter coupled output power. | 1 |
| 82 - 83 | 2 | Tx_PWR (Offset) | Fixed decimal (signed two's complement) calibration data, transmitter coupled output power. | 0 |
| 84 - 85 | 2 | T (Slope) | Fixed decimal (unsigned) calibration data, internal module temperature. | 1 |
| 86 - 87 | 2 | T (Offset) | Fixed decimal (signed two's complement) calibration data, internal module temperature. | 0 |
| 88 - 89 | 2 | V (Slope) | Fixed decimal (unsigned) calibration data, internal module supply voltage. | 1 |
| 90 - 91 | 2 | V (Offset) | Fixed decimal (signed two's complement) calibration data, internal module supply voltage. | 0 |
| 92 - 94 | 3 | Reserved | Reserved | |
| 95 | 1 | Check sum | Byte 95 contains the low order 8 bits of the sum of bytes 0 - 94. | |

A/D Values and Status Bits (2-Wire Address A2h)

| Byte | Bit | Name | Description |
|------|-----|------|-------------|
|------|-----|------|-------------|

Converted Analog Values. Calibrated 16 Bit Data.

| | | | |
|-----|-----|---------------------|--|
| 96 | All | Temperature MSB | Internally measured module temperature ¹⁾ |
| 97 | All | Temperature LSB | |
| 98 | All | V _{CC} MSB | Internally measured supply voltage in transceiver |
| 99 | All | V _{CC} LSB | |
| 100 | All | Tx Bias MSB | Internally measured Tx Bias Current |
| 101 | All | Tx Bias LSB | |
| 102 | All | Tx Power MSB | Measured Tx output power |
| 103 | All | Tx Power LSB | |
| 104 | All | Rx Power MSB | Measured Rx input power |
| 105 | All | Rx Power LSB | |
| 106 | All | Reserved MSB | Reserved for 1st future definition of digitized analog input |
| 107 | All | Reserved LSB | Reserved for 1st future definition of digitized analog input |
| 108 | All | Reserved MSB | Reserved for 2nd future definition of digitized analog input |
| 109 | All | Reserved LSB | Reserved for 2nd future definition of digitized analog input |

Optional Status/Control Bits

| | | | |
|-----|---|------------------------------------|--|
| 110 | 7 | Tx Disable State ²⁾ | Digital state of the Tx Disable Input Pin |
| 110 | 6 | Soft Tx Disable ²⁾ | Read/write bit that allows software disable of laser. Writing 1 disables laser |
| 110 | 5 | Reserved | |
| 110 | 4 | Rx Rate Select State ²⁾ | Digital state of the SFP Rx Rate Select Input Pin |
| 110 | 3 | Soft Rx Rate Select ²⁾ | Read/write bit that allows software Rx rate select. Writing 1 selects full bandwidth operation. Not implemented. |

A/D Values and Status Bits (2-Wire Address A2h) (cont'd)

| Byte | Bit | Name | Description |
|------|-------|----------------|---|
| 110 | 2 | Tx Fault | Digital state of the Tx Fault Output Pin |
| 110 | 1 | LOS | Digital state of the LOS Output Pin |
| 110 | 0 | Data_Ready_Bar | Indicates transceiver has achieved power up and data is ready |
| 111 | 7 - 0 | Reserved | Reserved |

¹⁾ Temperature measurement is performed on an IC located on the underside of the iSFP™ PCB.

²⁾ Not implemented.

Alarm and Warning Flags (2-Wire Address A2h)

| Byte | Bit | Name | Description |
|------|-----|------------------------------|---|
| 112 | 7 | Temp High Alarm | Set when internal temperature exceeds high alarm level |
| 112 | 6 | Temp Low Alarm | Set when internal temperature is below low alarm level |
| 112 | 5 | V _{CC} High Alarm | Set when internal supply voltage exceeds high alarm level |
| 112 | 4 | V _{CC} Low Alarm | Set when internal supply voltage is below low alarm level |
| 112 | 3 | Tx Bias High Alarm | Set when Tx Bias current exceeds high alarm level |
| 112 | 2 | Tx Bias Low Alarm | Set when Tx Bias current is below low alarm level |
| 112 | 1 | Tx Power High Alarm | Set when Tx output power exceeds high alarm level |
| 112 | 0 | Tx Power Low Alarm | Set when Tx output power is below low alarm level |
| 113 | 7 | Rx Power High Alarm | Set when received power exceeds high alarm level |
| 113 | 6 | Rx Power Low Alarm | Set when received power is below low alarm level |
| 113 | 5 | Reserved Alarm | |
| 113 | 4 | Reserved Alarm | |
| 113 | 3 | Reserved Alarm | |
| 113 | 2 | Reserved Alarm | |
| 113 | 1 | Reserved Alarm | |
| 113 | 0 | Reserved Alarm | |
| 114 | All | Reserved | |
| 115 | All | Reserved | |
| 116 | 7 | Temp High Warning | Set when internal temperature exceeds high warning level |
| 116 | 6 | Temp Low Warning | Set when internal temperature is below low warning level |
| 116 | 5 | V _{CC} High Warning | Set when internal supply voltage exceeds high warning level |

Alarm and Warning Flags (2-Wire Address A2h) (cont'd)

| Byte | Bit | Name | Description |
|------|-----|-----------------------------|---|
| 116 | 4 | V _{CC} Low Warning | Set when internal supply voltage is below low warning level |
| 116 | 3 | Tx Bias High Warning | Set when Tx bias current exceeds high warning level |
| 116 | 2 | Tx Bias Low Warning | Set when Tx bias current is below low warning level |
| 116 | 1 | Tx Power High Warning | Set when Tx output power exceeds high warning level |
| 116 | 0 | Tx Power Low Warning | Set when Tx output power is below low warning level |
| 117 | 7 | Rx Power High Warning | Set when received power exceeds high warning level |
| 117 | 6 | Rx Power Low Warning | Set when received power is below low warning level |
| 117 | 5 | Reserved Warning | |
| 117 | 4 | Reserved Warning | |
| 117 | 3 | Reserved Warning | |
| 117 | 2 | Reserved Warning | |
| 117 | 1 | Reserved Warning | |
| 117 | 0 | Reserved Warning | |
| 118 | All | Reserved | |
| 119 | All | Reserved | |

Vendor Specific Memory Addresses (2-Wire Address A2h)

| Address | # Bytes | Name | Description |
|----------|---------|-----------------|-----------------|
| 120 -127 | 8 | Vendor Specific | Vendor specific |

User EEPROM (2-Wire Address A2h)

| Address | # Bytes | Name | Description |
|-----------|---------|-----------------|-----------------------------------|
| 128 - 247 | 120 | User EEPROM | User writable EEPROM |
| 248 - 255 | 8 | Vendor Specific | Vendor specific control functions |

Single Mode 1310 nm iSFP™ Transceiver, AC/AC TTL

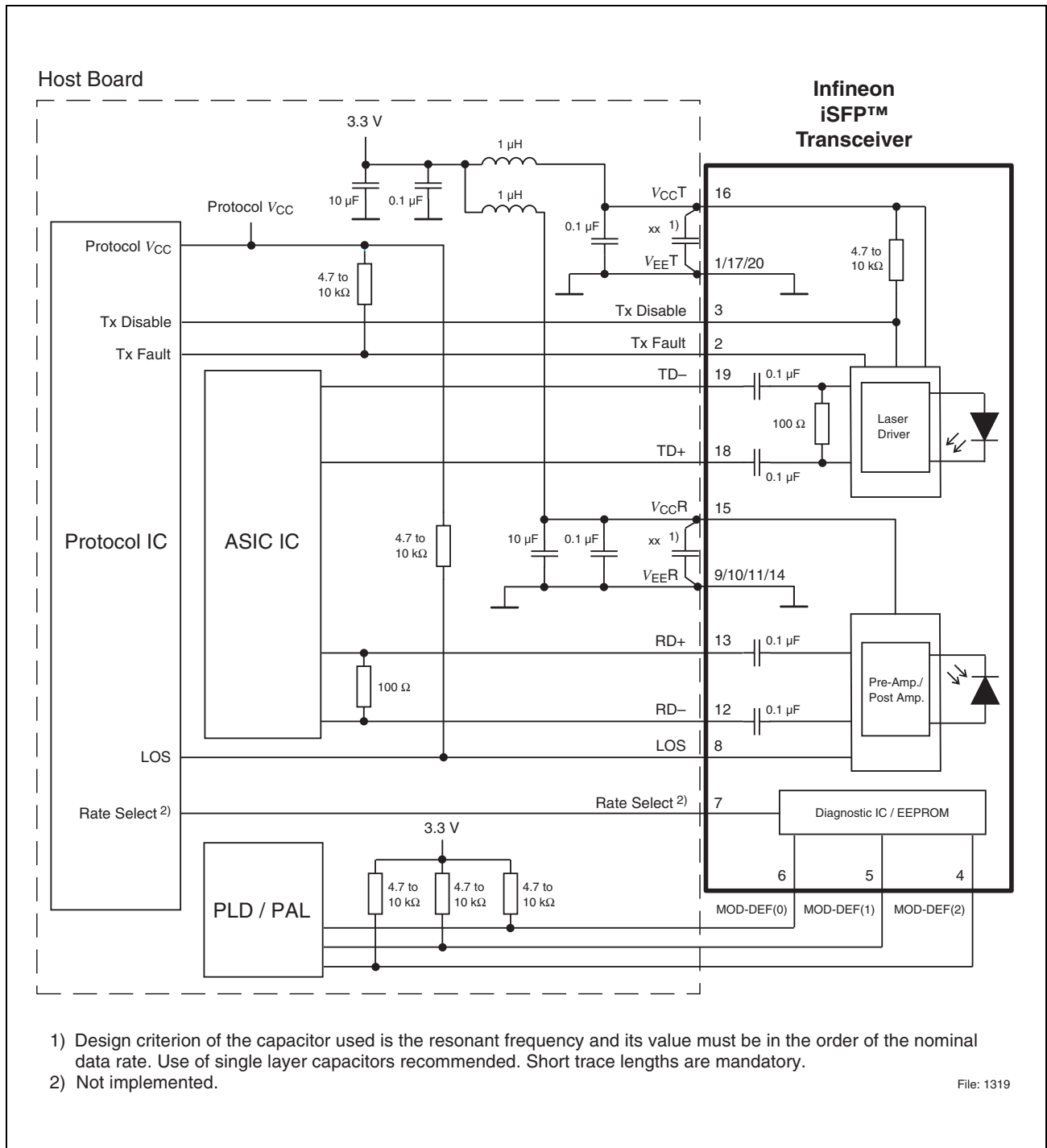


Figure 7 Example iSFP™ Host Board Schematic and Recommended Host Board Supply Filtering Network

Package Outlines

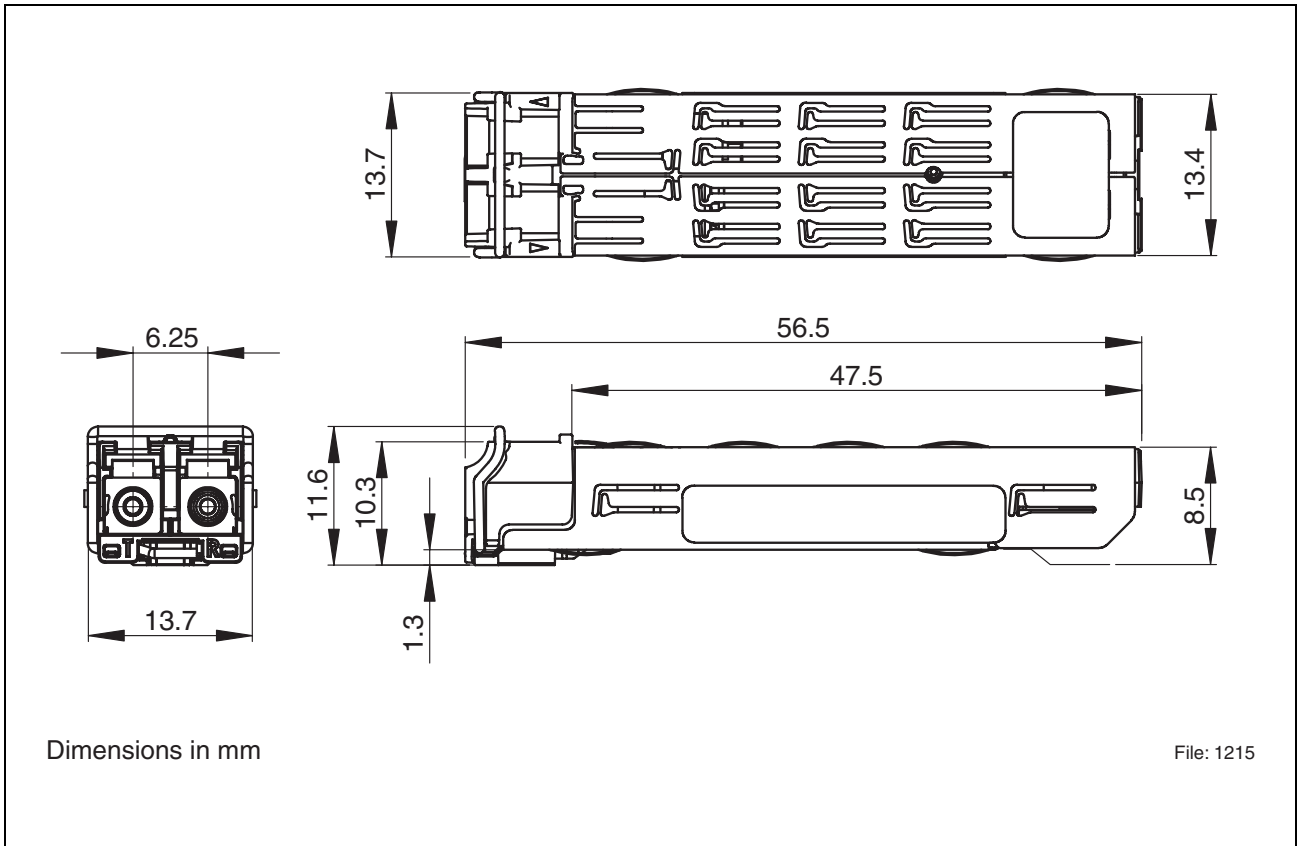


Figure 8

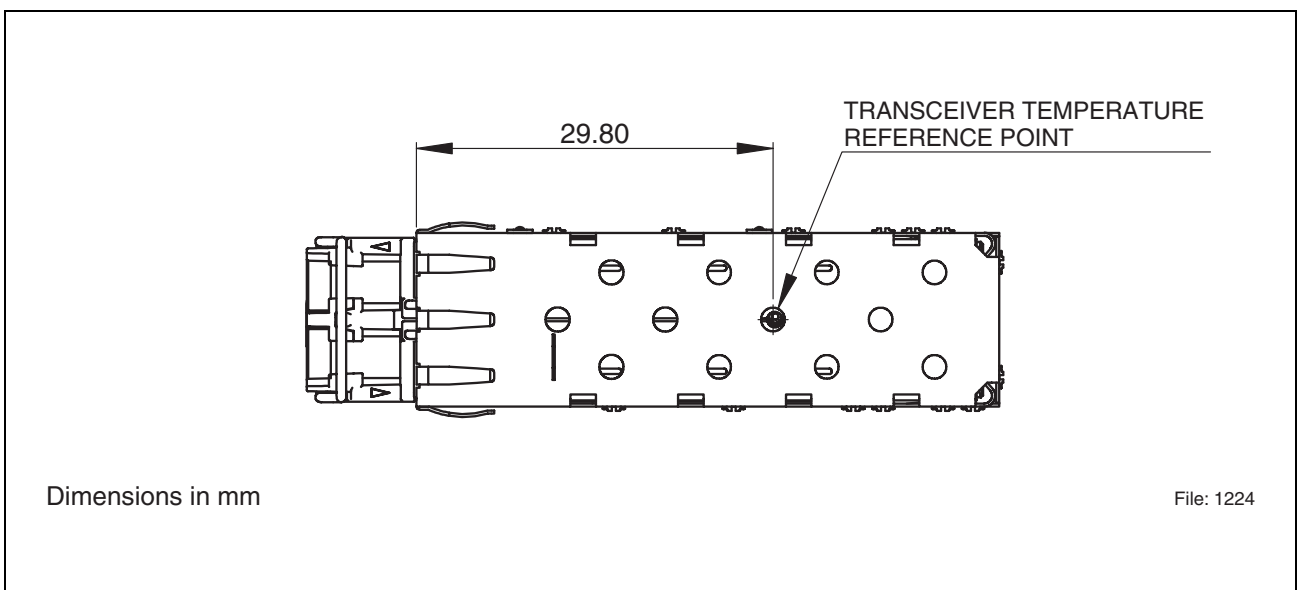


Figure 9

V23848-C18-C56

V23848-C19-C56

Revision History: 2004-06-25

DS4

Previous Version: 2003-08-13

| Page | Subjects (major changes since last revision) |
|-------------------------|--|
| | V23848-C19-C56 added |
| | “Preliminary Data Sheet” removed |
| | iSFP™ trademark added |
| 1 | Title changed |
| 7, 9, 10, 18, 22, 24 | Tables changed |
| 11 | Figure 3 added |
| 15 | EMI Recommendations changed |
| 17 | SFP Accessories changed |
| 28 | Figure 7 Host Board Schematic changed |

Edition 2004-06-25

Published by Infineon Technologies AG,
St.-Martin-Strasse 53,
81669 München, Germany

© Infineon Technologies AG 2004.
All Rights Reserved.

Attention please!

The information herein is given to describe certain components and shall not be considered as a guarantee of characteristics.

Terms of delivery and rights to technical change reserved.

We hereby disclaim any and all warranties, including but not limited to warranties of non-infringement, regarding circuits, descriptions and charts stated herein.

Information

For further information on technology, delivery terms and conditions and prices please contact your nearest Infineon Technologies Office (www.infineon.com).

Warnings

Due to technical requirements components may contain dangerous substances. For information on the types in question please contact your nearest Infineon Technologies Office.

Infineon Technologies Components may only be used in life-support devices or systems with the express written approval of Infineon Technologies, if a failure of such components can reasonably be expected to cause the failure of that life-support device or system, or to affect the safety or effectiveness of that device or system. Life support devices or systems are intended to be implanted in the human body, or to support and/or maintain and sustain and/or protect human life. If they fail, it is reasonable to assume that the health of the user or other persons may be endangered.