

JST

Crimp

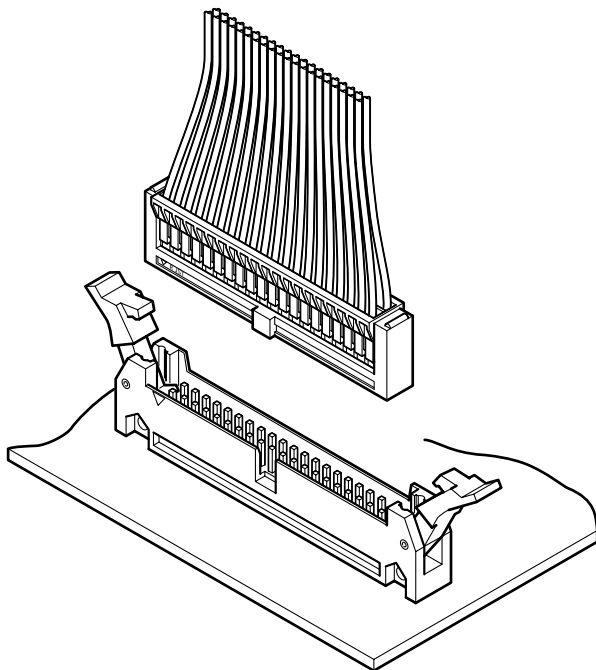
2.54mm  
(.100") pitch

# RA CONNECTOR

Disconnectable Crimp style connectors



**Crimp style receptacles that are designed to mate with headers conforming to MIL-C-83503. The low insertion force contacts reduce surface finish wear and resist stress relaxation very well.**



## Features

- **Secure locking mechanism (RA, RX headers)**

The locking levers are engaged by inserting the receptacle into the header. This ensures a firm connection that's highly resistant to impact and vibration.

- **Housing lances**

The contact retention lances on the resilient housing allow visual confirmation of contact lock-in for easy and secure insertion.

- **Low insertion force contact**

The low insertion force contacts reduce surface finish wear and reduce the effects of stress relaxation.

- **Anti-misinsertion feature**

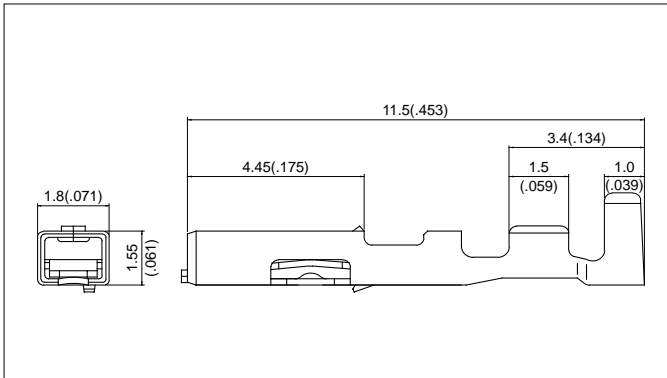
The guide devices of both housing and header prevent reverse connector insertion.

## Specifications

- Current rating: 1.0A AC, DC (AWG #22)
  - Voltage rating: 300V AC, DC
  - Temperature range: -55°C to +85°C  
(including temperature rise in applying electrical current)
  - Contact resistance: Initial value/15m Ω max.  
After environmental testing/30m Ω max.
  - Insulation resistance: 1,000M Ω min.
  - Withstanding voltage: 1,000V AC/minute
  - Applicable wire: AWG #26 to #22
  - Applicable PC board thickness: 1.6mm(.063")
- \* Contact JST for details.

# RA CONNECTOR

## Contact



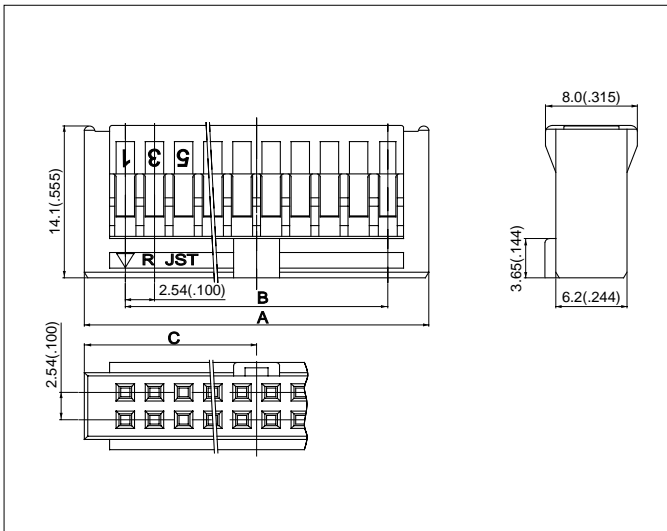
Model No.	Applicable wire			Q'ty / reel
	mm <sup>2</sup>	AWG #	Insulation O.D. mm(in.)	
<b>RA-SC1290</b>	0.13 to 0.33	26 to 22	1.3 to 1.7(.028 to .035)	8,000

### Material and Finish

Phosphor bronze, tin-plated

Note: Contact JST for gold-plated contacts.

## Housing



Circuits	Model No.	Dimensions mm(in.)			Q'ty / box
		A	B	C	
10	<b>RA-1011</b>	10.16( .400)	17.50( .689)	8.75( .344)	500
16	<b>RA-1611</b>	17.78( .700)	25.12( .989)	12.56( .494)	500
20	<b>RA-2011</b>	22.86( .900)	30.20(1.189)	15.10( .594)	500
26	<b>RA-2611</b>	30.48(1.200)	37.82(1.489)	18.91( .744)	1,000
30	<b>RA-3011</b>	35.56(1.400)	42.90(1.689)	21.45( .844)	200
34	<b>RA-3411</b>	40.64(1.600)	47.98(1.889)	23.99( .944)	250
40	<b>RA-4011</b>	48.26(1.900)	55.60(2.189)	27.80(1.094)	200
50	<b>RA-5011</b>	60.96(2.400)	68.30(2.689)	34.15(1.344)	200
60	<b>RA-6011</b>	73.66(2.900)	81.00(3.189)	40.50(1.594)	250

### Material

Glass-filled PBT, UL94V-0, natural (black)

## Header

The following headers are applicable to the above Housing.

Circuits	RA header		RX header		RK header	
	Top entry type	Side entry type	Top entry type	Side entry type	Top entry type	Side entry type
10	<b>RA-H101TD-1190</b>	<b>RA-H101SD-1190</b>	—	—	—	—
16	<b>RA-H161TD-1190</b>	<b>RA-H161SD-1190</b>	—	—	—	—
20	<b>RA-H201TD-1190</b>	<b>RA-H201SD-1190</b>	<b>RX-H201TD-1190</b>	<b>RX-H201SD-1190</b>	—	—
26	<b>RA-H261TD-1190</b>	<b>RA-H261SD-1190</b>	—	—	<b>RK-H261TD-0190</b>	<b>RK-H261SD-0190</b>
30	<b>RA-H301TD-1190</b>	—	—	—	—	—
34	<b>RA-H341TD-1190</b>	<b>RA-H341SD-1190</b>	<b>RX-H341TD-1190</b>	<b>RX-H341SD-1190</b>	<b>RK-H341TD-0190</b>	<b>RK-H341SD-0190</b>
40	<b>RA-H401TD-1190</b>	<b>RA-H401SD-1190</b>	<b>RX-H401TD-1190</b>	<b>RX-H401SD-1190</b>	<b>RK-H401TD-0190</b>	<b>RK-H401SD-0190</b>
50	<b>RA-H501TD-1190</b>	<b>RA-H501SD-1190</b>	<b>RX-H501TD-1190</b>	—	—	—
60	<b>RA-H601TD-1190</b>	<b>RA-H601SD-1190</b>	<b>RX-H601TD-1190</b>	<b>RX-H601SD-1190</b>	—	—

Note: Contact JST for gold-plated headers.