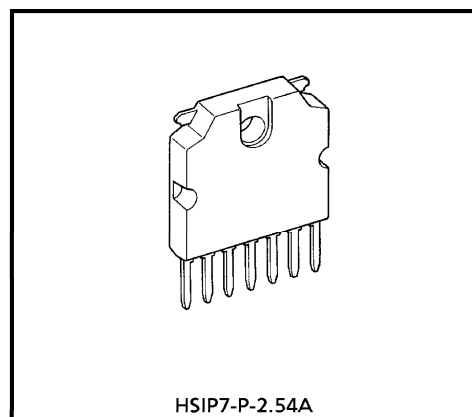


# TA8080K

## 1.0A MOTOR DRIVER WITH BRAKE FUNCTION

The TA8080K is a 1.0A motor driver which directly drives a bidirectional DC motor. Inputs DI1 and DI2 are combined to select one of forward, reverse, stop, and brake modes. Since the inputs are TTL-compatible, this IC can be controlled directly from a CPU or other control system. The IC also has various protective functions.

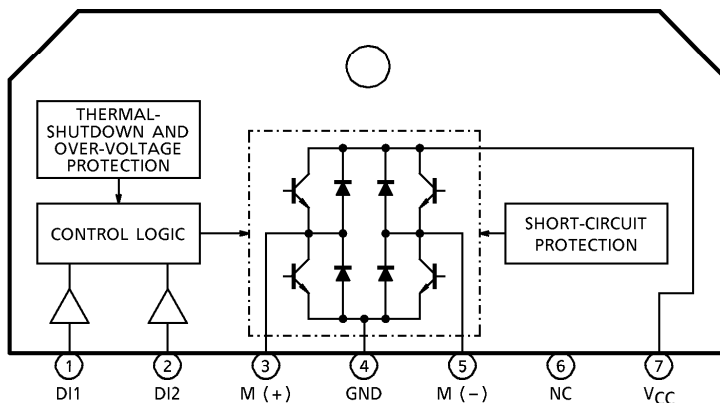


Weight : 2.2g (Typ.)

### FEATURES

- Bidirectional DC motor driver.
- 1.0A current capacity.
- Four operation modes : Forward, reverse, stop, and brake.
- Protective functions : Thermal-shutdown, short-circuit protection, and over-voltage shutdown.
- Built-in counter electromotive force absorption diodes.
- Plastic package HSIP-7pin.

### BLOCK DIAGRAM AND PIN LAYOUT



961001EBA2

- TOSHIBA is continually working to improve the quality and the reliability of its products. Nevertheless, semiconductor devices in general can malfunction or fail due to their inherent electrical sensitivity and vulnerability to physical stress. It is the responsibility of the buyer, when utilizing TOSHIBA products, to observe standards of safety, and to avoid situations in which a malfunction or failure of a TOSHIBA product could cause loss of human life, bodily injury or damage to property. In developing your designs, please ensure that TOSHIBA products are used within specified operating ranges as set forth in the most recent products specifications. Also, please keep in mind the precautions and conditions set forth in the TOSHIBA Semiconductor Reliability Handbook.
- The products described in this document are subject to foreign exchange and foreign trade control laws.
- The information contained herein is presented only as a guide for the applications of our products. No responsibility is assumed by TOSHIBA CORPORATION for any infringements of intellectual property or other rights of the third parties which may result from its use. No license is granted by implication or otherwise under any intellectual property or other rights of TOSHIBA CORPORATION or others.
- The information contained herein is subject to change without notice.

## PIN DESCRIPTION

PIN No.	SYMBOL	DESCRIPTION
1	DI1	Output status control pin.
2	DI2	Connects to a PNP-type voltage comparator.
3	M (+)	Connects to the DC motor. Both the sink and the source have a current capacity of 1.0A. Diodes for absorbing counter electromotive force are contained on the V <sub>CC</sub> and GND sides.
4	GND	Grounded.
5	M (-)	Connects to the DC motor together with pin 3 and has the same function as pin 3. This pin is controlled by the inputs from pins 1 and 2.
6	NC	Not connected.
7	V <sub>CC</sub>	Power supply pin. This pin has a function to turn off the output when the applied voltage exceeds 30.0V, thus protecting the IC and the load.

## TRUTH TABLE

INPUT		OUTPUT		
DI1	DI2	M (+)	M (-)	
H	H	L	L	(Note)
L	H	L	H	
H	L	H	L	
L	L	OFF (high impedance)		(Note)

(Note) Brake mode comes into effect when both M (+) and M (-) go low, stopmode comes into effect when both M (+) and M (-) turn OFF.

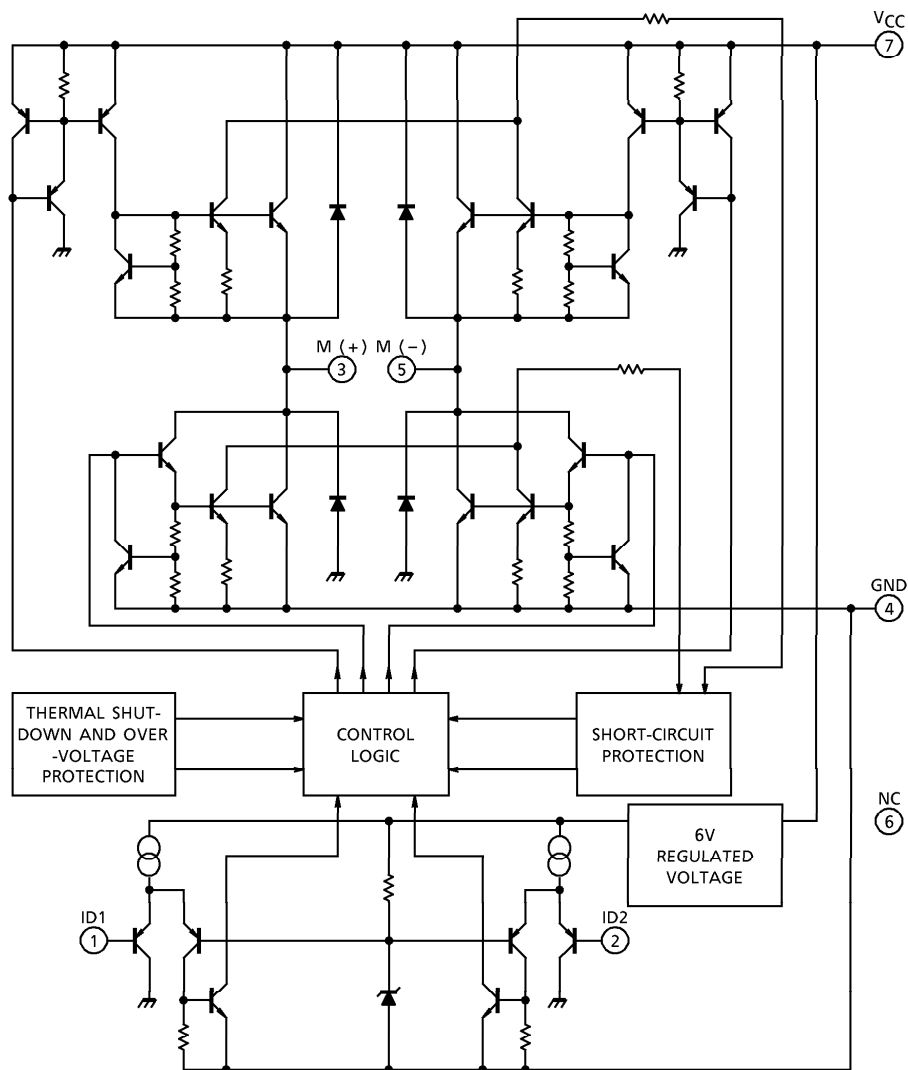
## MAXIMUM RATINGS (Ta = 25°C)

CHARACTERISTIC	SYMBOL	RATING	UNIT
Power Supply Voltage	V <sub>CC</sub>	30	V
	V <sub>CC</sub>	60 (1s)	
Input Voltage	V <sub>IN</sub>	-0.3~V <sub>CC</sub>	V
Output Current	I <sub>O AVE</sub>	1.0	A
Power Dissipation	P <sub>D</sub>	12.5	W
Operating Temperature	T <sub>opr</sub>	-40~110	°C
Storage Temperature	T <sub>stg</sub>	-55~150	°C
Lead Temperature-time	T <sub>sol</sub>	260 (10s)	°C

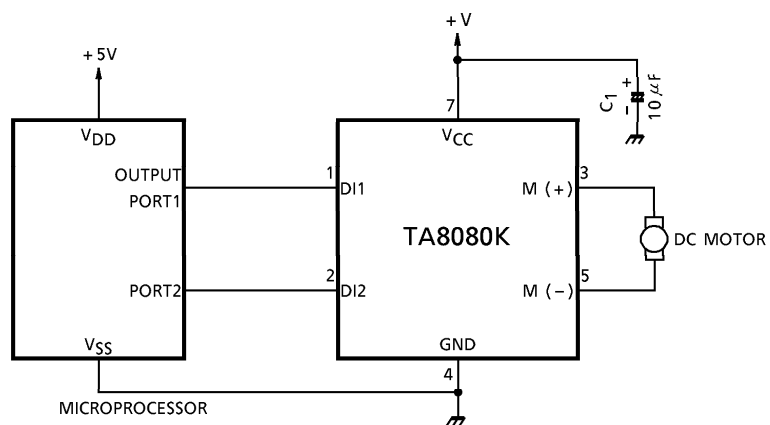
ELECTRICAL CHARACTERISTICS (V<sub>CC</sub> = 6~16V, T<sub>c</sub> = -40~110°C)

CHARACTERISTIC	SYMBOL	PIN	TEST CIR-CUIT	TEST CONDITION	MIN.	TYP.	MAX.	UNIT
Power Supply Current	I <sub>CC1</sub>	V <sub>CC</sub>	—	Stop	—	8	15	mA
	I <sub>CC2</sub>		—	Forward / Reverse	—	20	40	
	I <sub>CC3</sub>		—	Brake	—	12	25	
Input Voltage	V <sub>IL</sub>	DI1 / DI2	—	—	—	—	0.8	V
	V <sub>IH</sub>		—	—	2.0	—	—	
Input Current	I <sub>IL</sub>	DI1 / DI2	—	V <sub>IN</sub> = 0.4V	-100	—	10	μA
	I <sub>IH</sub>		—	V <sub>IN</sub> = V <sub>CC</sub>	-10	—	10	
Output Saturation Voltage	V <sub>sat</sub> (total)	M (+) /	—	I <sub>O</sub> = 1.0A, T <sub>c</sub> = 25°C	—	2.0	2.5	V
		M (-)	—	I <sub>O</sub> = 1.0A, T <sub>c</sub> = 110°C	—	2.0	2.5	
Output Leakage Current	I <sub>LEAK·U</sub>	M (+) /	—	V <sub>OUT</sub> = 0V	—	—	-10	μA
	I <sub>LEAK·L</sub>	M (-)	—	V <sub>OUT</sub> = V <sub>CC</sub>	—	—	10	
Diode Forward Voltage	V <sub>F·U</sub>	M (+) /	—	I <sub>F</sub> = 1.0A	—	20	—	V
	V <sub>F·L</sub>				M (-)	—	1.2	
Over-current Detection	I <sub>SD</sub>	—	—	—	1.2	1.7	2.3	A
Shutdown Temperature	T <sub>SD</sub>	—	—	—	—	150	—	°C
Over-voltage Detection	V <sub>SD</sub>	—	—	—	27	30	33	V
Thermal Resistance	R <sub>θj-c</sub>	—	—	—	—	4	—	°C/W
Transfer Delay Time	t <sub>pLH</sub>	—	—	—	—	1	10	μs
	t <sub>pHL</sub>	—	—	—	—	1	10	

I/O EQUIVALENT CIRCUIT



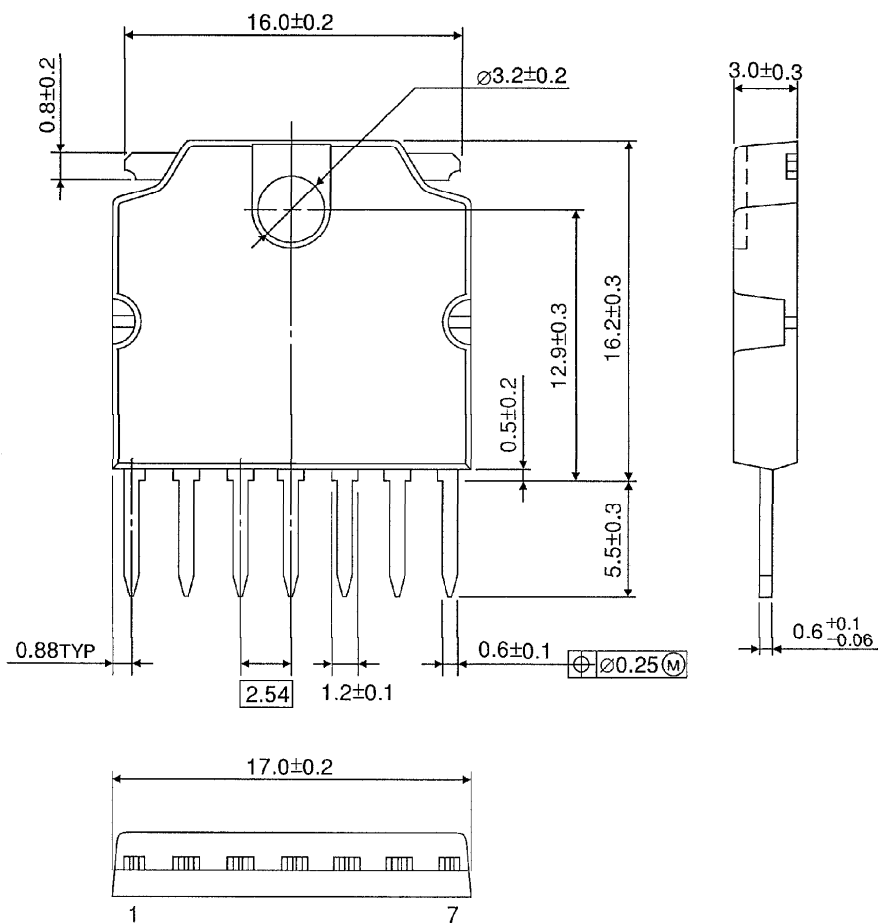
**EXAMPLE OF APPLICATION CIRCUIT**



Cautions for Wiring : C<sub>1</sub> is for absorbing disturbance, noise etc.  
Connect it as close to the IC as possible.

**OUTLINE DRAWING**  
**HSIP7-P-2.54A**

Unit : mm



Weight : 2.2g (Typ.)