

The RF Sub-Micron MOSFET Line
RF Power Field Effect Transistors
N-Channel Enhancement-Mode Lateral MOSFETs

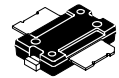
MRF9030MR1
MRF9030MBR1

Designed for broadband commercial and industrial applications with frequencies up to 1.0 GHz. The high gain and broadband performance of these devices make them ideal for large-signal, common-source amplifier applications in 26 volt base station equipment.

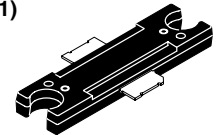
- Typical Performance at 945 MHz, 26 Volts
Output Power — 30 Watts PEP
Power Gain — 20 dB
Efficiency — 41% (Two Tones)
IMD — -31 dBc
- Integrated ESD Protection
- Capable of Handling 5:1 VSWR, @ 26 Vdc, 945 MHz, 30 Watts (CW) Output Power
- Excellent Thermal Stability
- Characterized with Series Equivalent Large-Signal Impedance Parameters
- Moisture Sensitivity Level 3
- Dual-Lead Boltdown Plastic Package Can Also Be Used As Surface Mount.
- TO-272 Available in Tape and Reel. R1 Suffix = 500 Units per 44 mm, 13 inch Reel.
- TO-270 Available in Tape and Reel. R1 Suffix = 500 Units per 24 mm, 13 inch Reel.

945 MHz, 30 W, 26 V
LATERAL N-CHANNEL
BROADBAND
RF POWER MOSFETs

CASE 1265-07, STYLE 1
(TO-270)
PLASTIC
(MRF9030MR1)



CASE 1337-01, STYLE 1
(TO-272 DUAL LEAD)
PLASTIC
(MRF9030MBR1)



MAXIMUM RATINGS

Rating	Symbol	Value	Unit
Drain-Source Voltage	V_{DSS}	65	Vdc
Gate-Source Voltage	V_{GS}	+15, -0.5	Vdc
Total Device Dissipation @ $T_C = 25^\circ\text{C}$ Derate above 25°C	P_D	139 0.93	Watts $\text{W}/^\circ\text{C}$
Storage Temperature Range	T_{stg}	-65 to +150	$^\circ\text{C}$
Operating Junction Temperature	T_J	175	$^\circ\text{C}$

ESD PROTECTION CHARACTERISTICS

Test Conditions	Class
Human Body Model	1 (Minimum)
Machine Model	M2 (Minimum)
Charge Device Model	C7 (Minimum) C6 (Minimum)

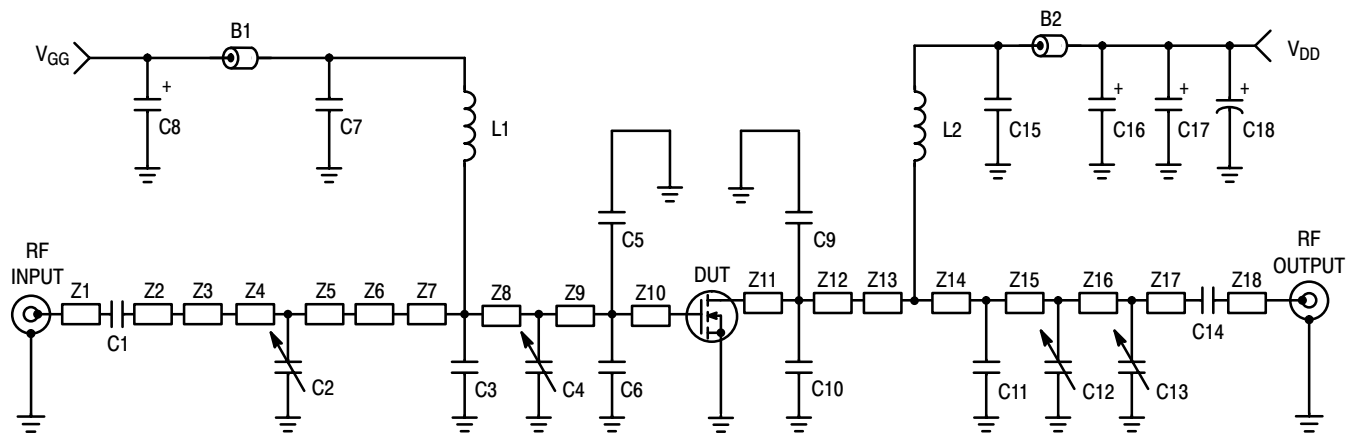
THERMAL CHARACTERISTICS

Characteristic	Symbol	Max	Unit
Thermal Resistance, Junction to Case	$R_{\theta JC}$	1.08	$^\circ\text{C}/\text{W}$

NOTE - **CAUTION** - MOS devices are susceptible to damage from electrostatic charge. Reasonable precautions in handling and packaging MOS devices should be observed.

ELECTRICAL CHARACTERISTICS ($T_C = 25^\circ\text{C}$ unless otherwise noted)

Characteristic	Symbol	Min	Typ	Max	Unit
OFF CHARACTERISTICS					
Zero Gate Voltage Drain Leakage Current ($V_{DS} = 65\text{ Vdc}$, $V_{GS} = 0\text{ Vdc}$)	I_{DSS}	—	—	10	μAdc
Zero Gate Voltage Drain Leakage Current ($V_{DS} = 26\text{ Vdc}$, $V_{GS} = 0\text{ Vdc}$)	I_{DSS}	—	—	1	μAdc
Gate–Source Leakage Current ($V_{GS} = 5\text{ Vdc}$, $V_{DS} = 0\text{ Vdc}$)	I_{GSS}	—	—	1	μAdc
ON CHARACTERISTICS					
Gate Threshold Voltage ($V_{DS} = 10\text{ Vdc}$, $I_D = 100\ \mu\text{Adc}$)	$V_{GS(th)}$	2	2.9	4	Vdc
Gate Quiescent Voltage ($V_{DS} = 26\text{ Vdc}$, $I_D = 250\ \text{mAdc}$)	$V_{GS(Q)}$	3	3.8	5	Vdc
Drain–Source On–Voltage ($V_{GS} = 10\text{ Vdc}$, $I_D = 0.7\ \text{Adc}$)	$V_{DS(on)}$	—	0.23	0.4	Vdc
Forward Transconductance ($V_{DS} = 10\text{ Vdc}$, $I_D = 2\ \text{Adc}$)	g_{fs}	—	2.7	—	S
DYNAMIC CHARACTERISTICS					
Input Capacitance ($V_{DS} = 26\text{ Vdc} \pm 30\ \text{mV(rms)ac}$ @ 1 MHz, $V_{GS} = 0\text{ Vdc}$)	C_{iss}	—	49	—	pF
Output Capacitance ($V_{DS} = 26\text{ Vdc} \pm 30\ \text{mV(rms)ac}$ @ 1 MHz, $V_{GS} = 0\text{ Vdc}$)	C_{oss}	—	27	—	pF
Reverse Transfer Capacitance ($V_{DS} = 26\text{ Vdc} \pm 30\ \text{mV(rms)ac}$ @ 1 MHz, $V_{GS} = 0\text{ Vdc}$)	C_{rss}	—	1.2	—	pF
FUNCTIONAL TESTS (In Motorola Test Fixture)					
Two–Tone Common–Source Amplifier Power Gain ($V_{DD} = 26\text{ Vdc}$, $P_{out} = 30\ \text{W PEP}$, $I_{DQ} = 250\ \text{mA}$, $f_1 = 945.0\ \text{MHz}$, $f_2 = 945.1\ \text{MHz}$)	G_{ps}	18	20	—	dB
Two–Tone Drain Efficiency ($V_{DD} = 26\text{ Vdc}$, $P_{out} = 30\ \text{W PEP}$, $I_{DQ} = 250\ \text{mA}$, $f_1 = 945.0\ \text{MHz}$, $f_2 = 945.1\ \text{MHz}$)	η	37	41	—	%
3rd Order Intermodulation Distortion ($V_{DD} = 26\text{ Vdc}$, $P_{out} = 30\ \text{W PEP}$, $I_{DQ} = 250\ \text{mA}$, $f_1 = 945.0\ \text{MHz}$, $f_2 = 945.1\ \text{MHz}$)	IMD	—	–31	–28	dBc
Input Return Loss ($V_{DD} = 26\text{ Vdc}$, $P_{out} = 30\ \text{W PEP}$, $I_{DQ} = 250\ \text{mA}$, $f_1 = 945.0\ \text{MHz}$, $f_2 = 945.1\ \text{MHz}$)	IRL	—	–13	–9	dB
Two–Tone Common–Source Amplifier Power Gain ($V_{DD} = 26\text{ Vdc}$, $P_{out} = 30\ \text{W PEP}$, $I_{DQ} = 250\ \text{mA}$, $f_1 = 930.0\ \text{MHz}$, $f_2 = 930.1\ \text{MHz}$ and $f_1 = 960.0\ \text{MHz}$, $f_2 = 960.1\ \text{MHz}$)	G_{ps}	—	20	—	dB
Two–Tone Drain Efficiency ($V_{DD} = 26\text{ Vdc}$, $P_{out} = 30\ \text{W PEP}$, $I_{DQ} = 250\ \text{mA}$, $f_1 = 930.0\ \text{MHz}$, $f_2 = 930.1\ \text{MHz}$ and $f_1 = 960.0\ \text{MHz}$, $f_2 = 960.1\ \text{MHz}$)	η	—	40.5	—	%
3rd Order Intermodulation Distortion ($V_{DD} = 26\text{ Vdc}$, $P_{out} = 30\ \text{W PEP}$, $I_{DQ} = 250\ \text{mA}$, $f_1 = 930.0\ \text{MHz}$, $f_2 = 930.1\ \text{MHz}$ and $f_1 = 960.0\ \text{MHz}$, $f_2 = 960.1\ \text{MHz}$)	IMD	—	–31	—	dBc
Input Return Loss ($V_{DD} = 26\text{ Vdc}$, $P_{out} = 30\ \text{W PEP}$, $I_{DQ} = 250\ \text{mA}$, $f_1 = 930.0\ \text{MHz}$, $f_2 = 930.1\ \text{MHz}$ and $f_1 = 960.0\ \text{MHz}$, $f_2 = 960.1\ \text{MHz}$)	IRL	—	–12	—	dB



Z1	0.260" x 0.060" Microstrip	Z11	0.360" x 0.270" Microstrip
Z2	0.240" x 0.060" Microstrip	Z12	0.050" x 0.270" Microstrip
Z3	0.500" x 0.100" Microstrip	Z13	0.110" x 0.060" Microstrip
Z4	0.200" x 0.270" Microstrip	Z14	0.220" x 0.060" Microstrip
Z5	0.330" x 0.270" Microstrip	Z15	0.100" x 0.060" Microstrip
Z6	0.140" x 0.270" x 0.520", Taper	Z16	0.870" x 0.060" Microstrip
Z7	0.040" x 0.520" Microstrip	Z17	0.240" x 0.060" Microstrip
Z8	0.090" x 0.520" Microstrip	Z18	0.340" x 0.060" Microstrip
Z9	0.370" x 0.520" Microstrip (MRF9030MR1)	Board	Taconic RF-35-0300, $\epsilon_r = 3.5$
Z10	0.290" x 0.520" Microstrip (MRF9030MR1)		
	0.130" x 0.520" Microstrip (MRF9030MR1)		
	0.210" x 0.520" Microstrip (MRF9030MR1)		

Figure 1. 930–960 MHz Broadband Test Circuit Schematic

Table 1. 930 – 960 MHz Broadband Test Circuit Component Designations and Values

Part	Description	Value, P/N or DWG	Manufacturer
B1	Short Ferrite Bead, Surface Mount	95F786	Newark
B2	Long Ferrite Bead, Surface Mount	95F787	Newark
C1, C7, C14, C15	47 pF Chip Capacitors, B Case	100B470JP 500X	ATC
C2	0.6–4.5 Variable Capacitor, Gigatrim	44F3360	Newark
C3, C11	3.9 pF Chip Capacitors, B Case	100B3R6BP 500X	ATC
C4, C12	0.8–8.0 Variable Capacitors, Gigatrim	44F3360	Newark
C5, C6	6.8 pF Chip Capacitors, B Case	100B7R5JP 500X	ATC
C8, C16, C17	10 μ F, 35 V Tantalum Chip Capacitors	93F2975	Newark
C9, C10	10 pF Chip Capacitors, B Case	100B100JP 500X	ATC
C13	1.8 pF Chip Capacitor, B Case (MRF9030MR1) 0.6–4.5 Variable Capacitor, Gigatrim (MRF9030MR1)	100B1R8BP 44F3360	ATC Newark
C18	220 μ F Electrolytic Chip Capacitor	14F185	Newark
L1, L2	12.5 nH Coilcraft Inductors	A04T-5	Coilcraft
WB1, WB2	20 mil Brass Shim (0.250 x 0.250)	RF-Design Lab	RF-Design Lab
PCB	Etched Circuit Board	900 MHz μ 250/Viper Rev 02	DSelectronics

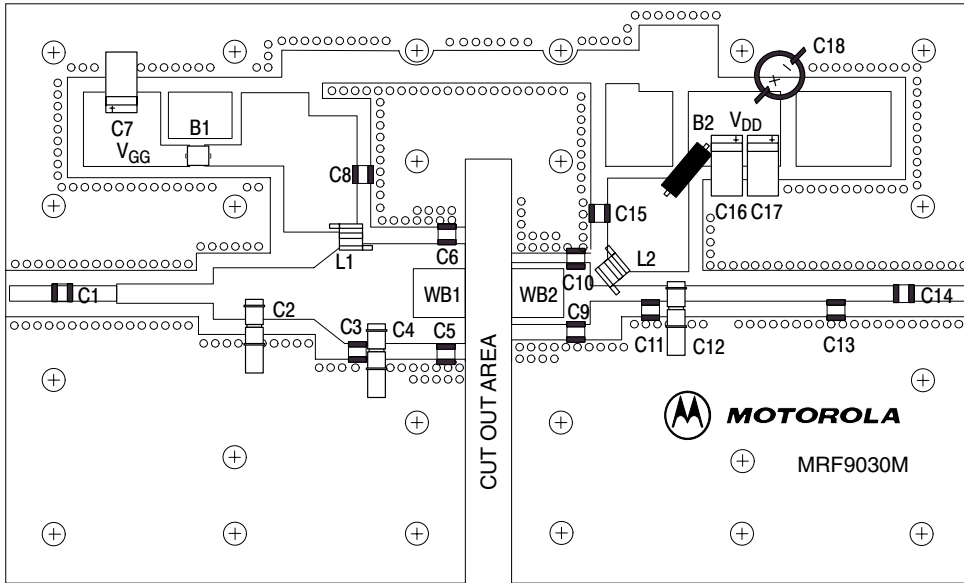


Figure 2. 930–960 MHz Broadband Test Circuit Component Layout (MRF9030MR1)

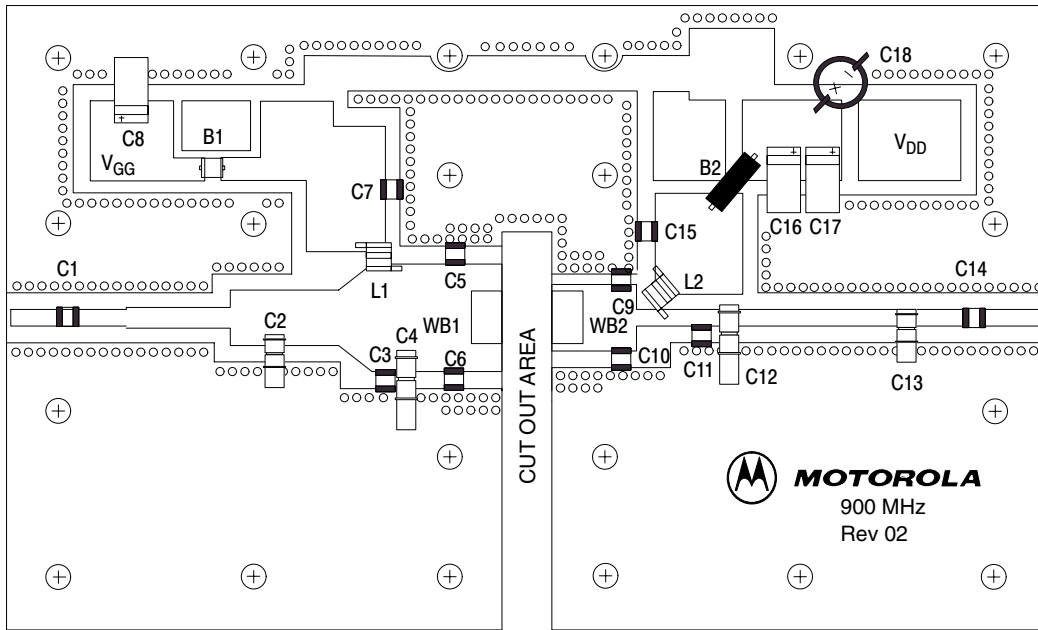


Figure 3. 930–960 MHz Broadband Test Circuit Component Layout (MRF9030MBR1)

TYPICAL CHARACTERISTICS

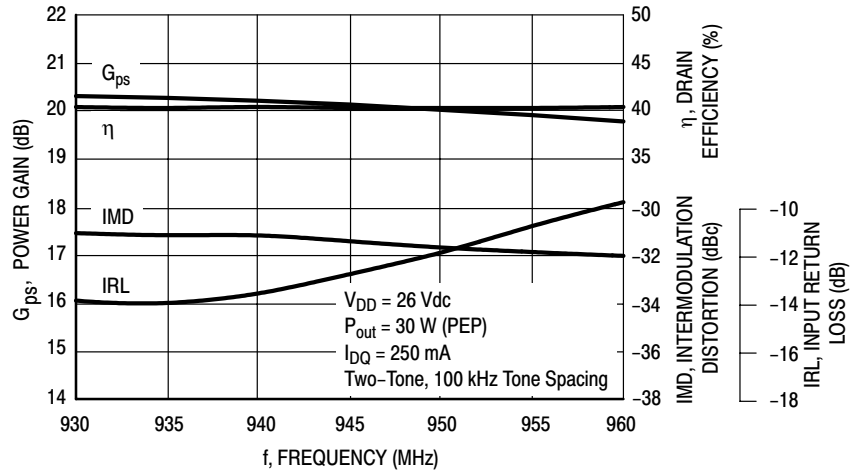


Figure 4. Class AB Broadband Circuit Performance

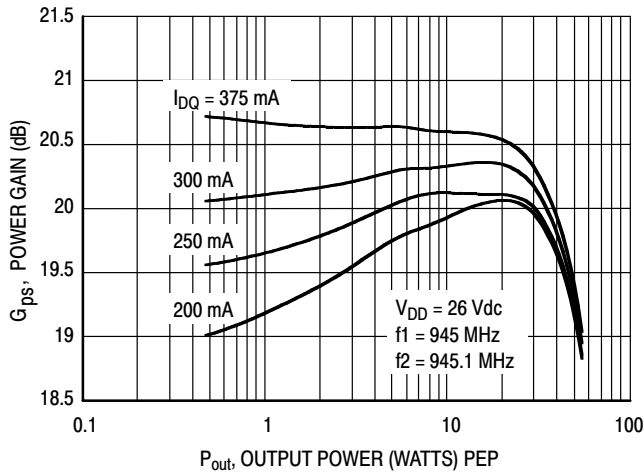


Figure 5. Power Gain versus Output Power

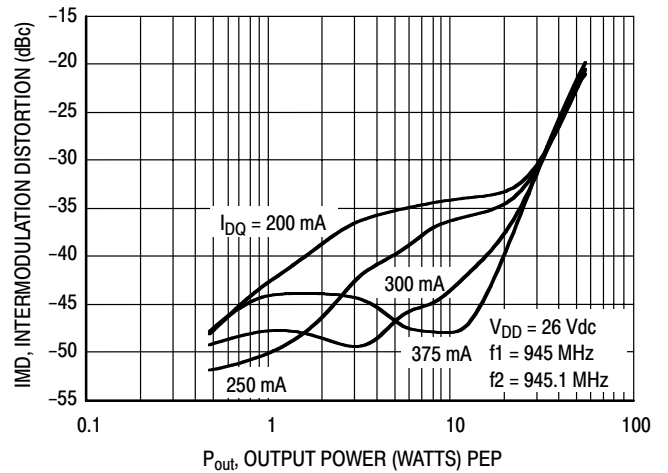


Figure 6. Intermodulation Distortion versus Output Power

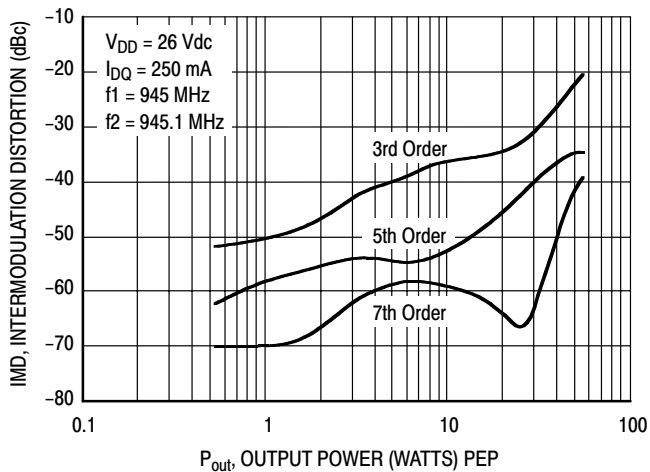


Figure 7. Intermodulation Distortion Products versus Output Power

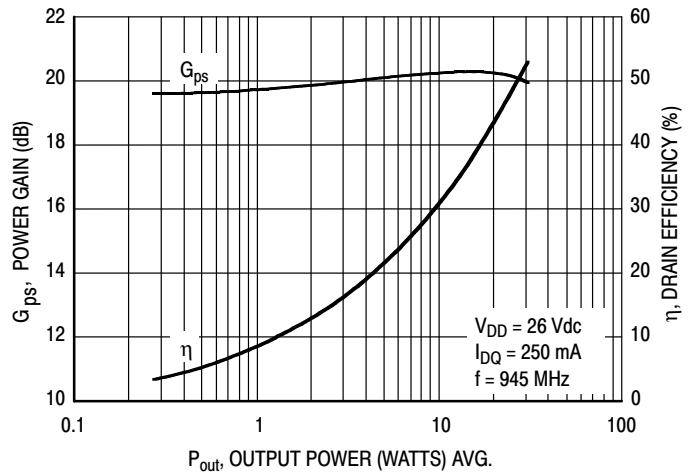


Figure 8. Power Gain and Efficiency versus Output Power

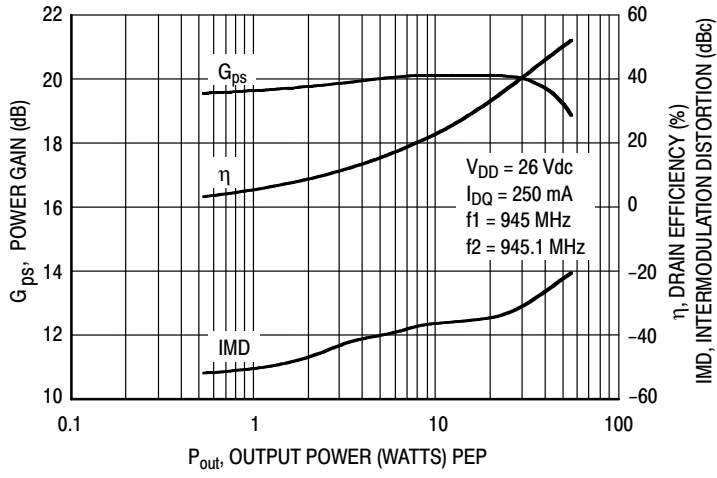
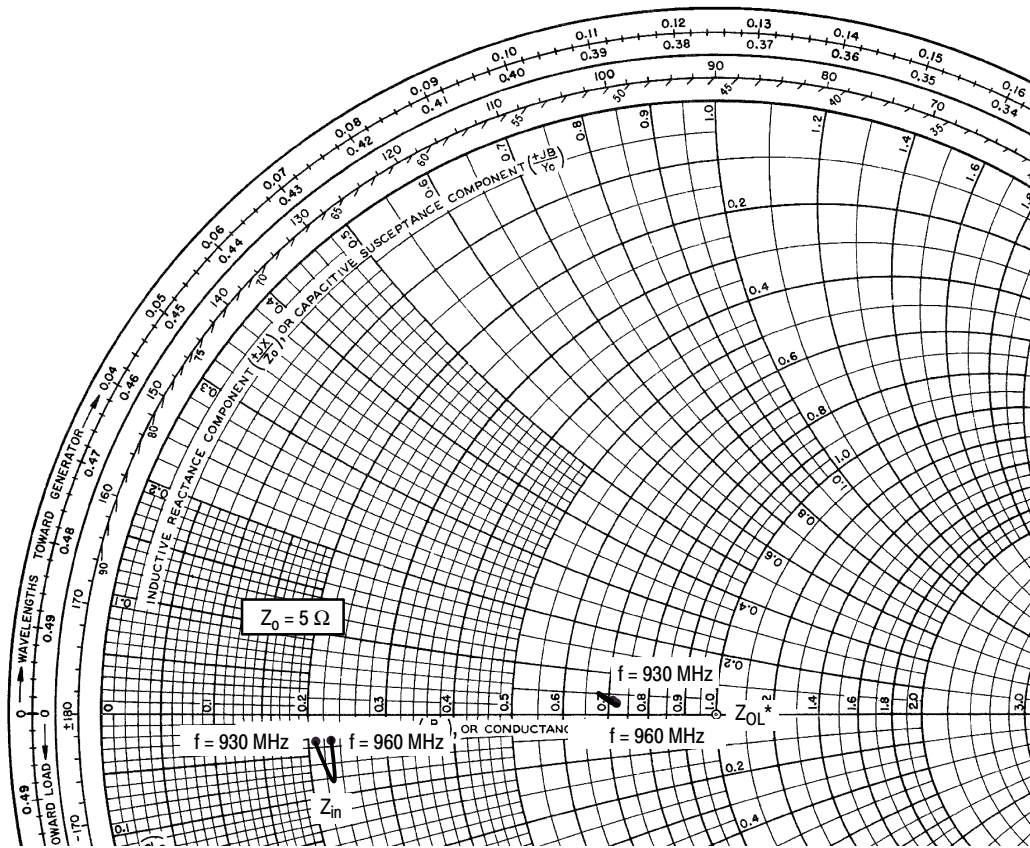


Figure 9. Power Gain, Efficiency and IMD versus Output Power



$V_{DD} = 26\text{ V}$, $I_{DQ} = 250\text{ mA}$, $P_{out} = 30\text{ Watts (PEP)}$

f MHz	Z_{in} Ω	Z_{OL}^* Ω
930	$1.07 - j0.160$	$3.53 + j0.20$
945	$1.14 - j0.385$	$3.41 + j0.24$
960	$1.17 - j0.170$	$3.60 + j0.17$

Z_{in} = Complex conjugate of source impedance.

Z_{OL}^* = Complex conjugate of the optimum load impedance at a given output power, voltage, IMD, bias current and frequency.

Note: Z_{OL}^* was chosen based on tradeoffs between gain, output power, drain efficiency and intermodulation distortion.

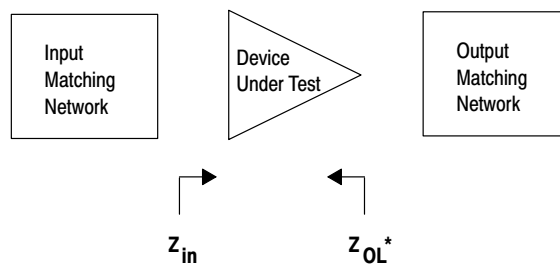
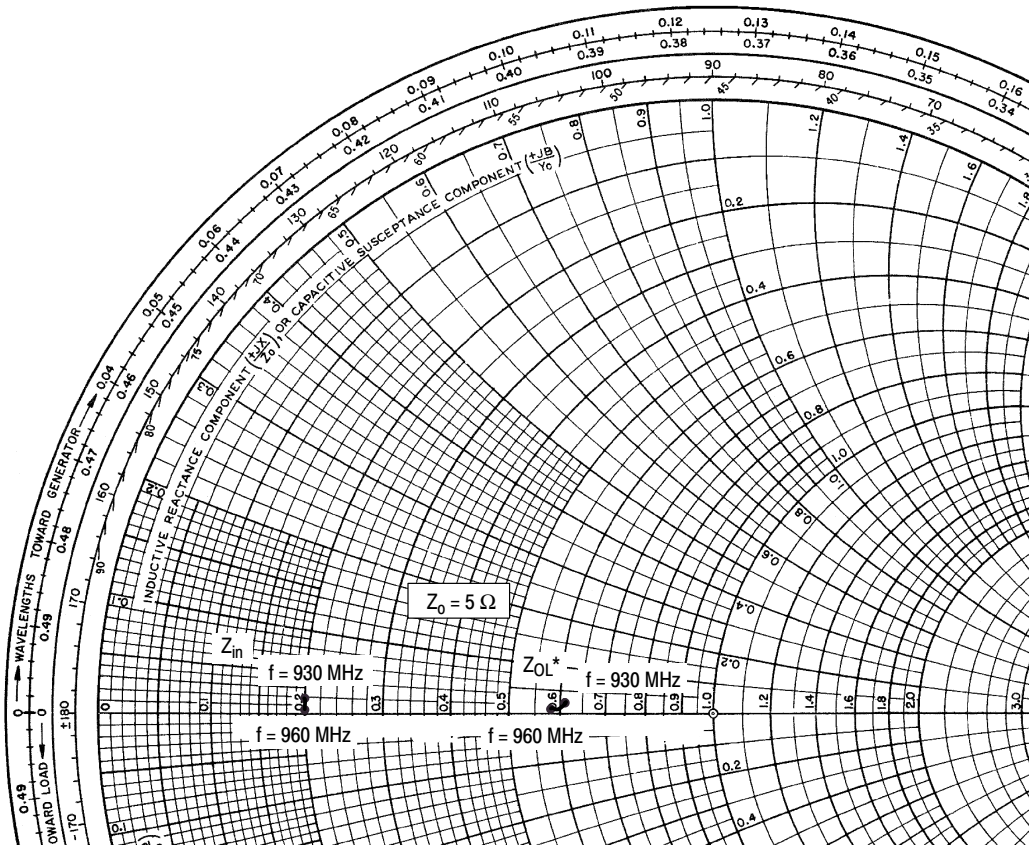


Figure 10. Series Equivalent Input and Output Impedance (MRF9030MR1)



$V_{DD} = 26\text{ V}$, $I_{DQ} = 250\text{ mA}$, $P_{out} = 30\text{ Watts (PEP)}$

f MHz	Z_{in} Ω	Z_{OL}^* Ω
930	$1.0 + j0.18$	$3.05 + j0.09$
945	$1.0 + j0.10$	$3.00 + j0.07$
960	$1.0 + j0.03$	$2.95 + j0.03$

Z_{in} = Complex conjugate of source impedance.

Z_{OL}^* = Complex conjugate of the optimum load impedance at a given output power, voltage, IMD, bias current and frequency.

Note: Z_{OL}^* was chosen based on tradeoffs between gain, output power, drain efficiency and intermodulation distortion.

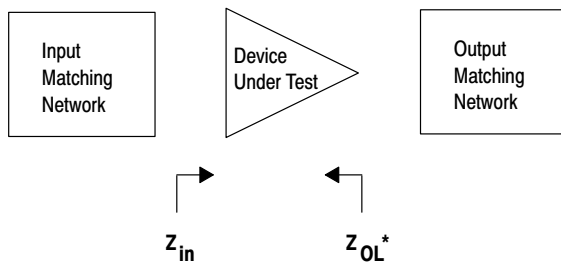
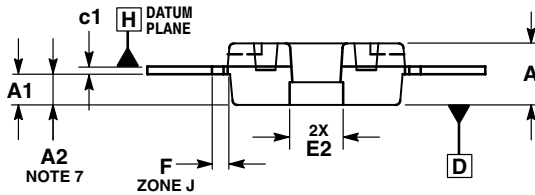
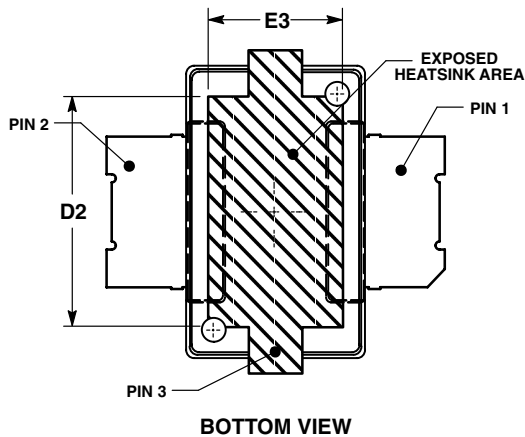
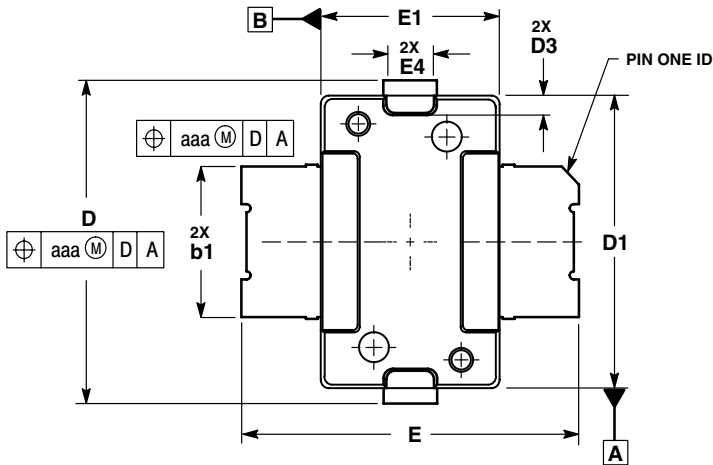


Figure 11. Series Equivalent Input and Output Impedance (MRF9030MBR1)

NOTES

PACKAGE DIMENSIONS



NOTES:

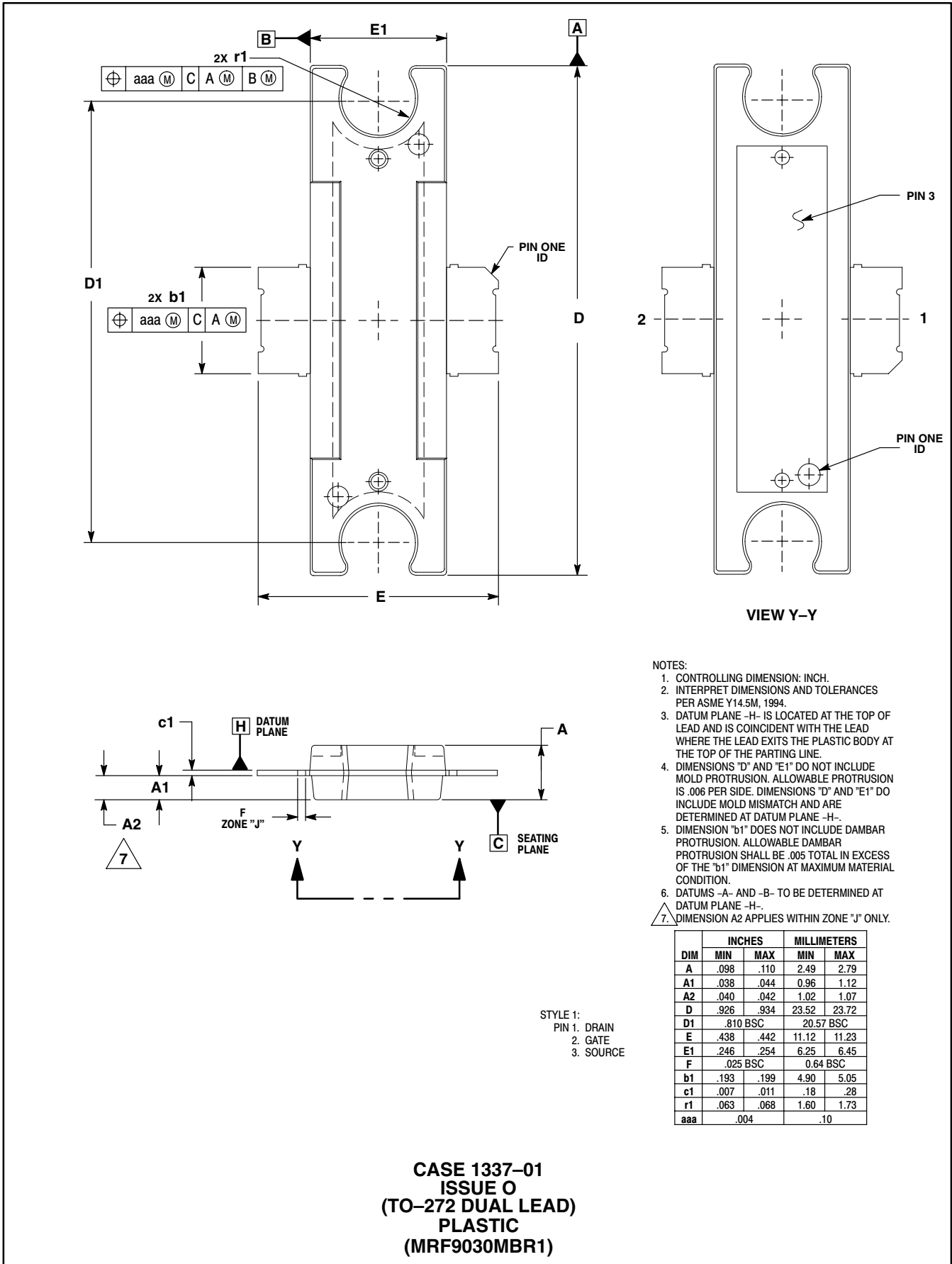
1. CONTROLLING DIMENSION: INCH.
2. INTERPRET DIMENSIONS AND TOLERANCES PER ASME Y14.5M-1994.
3. DATUM PLANE -H- IS LOCATED AT TOP OF LEAD AND IS COINCIDENT WITH THE LEAD WHERE THE LEAD EXITS THE PLASTIC BODY AT THE TOP OF THE PARTING LINE.
4. DIMENSIONS "D1" AND "E1" DO NOT INCLUDE MOLD PROTRUSION. ALLOWABLE PROTRUSION IS .006 PER SIDE. DIMENSIONS "D1" AND "E1" DO INCLUDE MOLD MISMATCH AND ARE DETERMINED AT DATUM PLANE -H-.
5. DIMENSION b1 DOES NOT INCLUDE DAMBAR PROTRUSION. ALLOWABLE DAMBAR PROTRUSION SHALL BE .005 TOTAL IN EXCESS OF THE b1 DIMENSION AT MAXIMUM MATERIAL CONDITION.
6. DATUMS -A- AND -B- TO BE DETERMINED AT DATUM PLANE -H-.
7. DIMENSION A2 APPLIES WITHIN ZONE "J" ONLY.
8. DIMENSIONS "D" AND "E2" DO NOT INCLUDE MOLD PROTRUSION. ALLOWABLE PROTRUSION IS .003 PER SIDE. DIMENSIONS "D" AND "E2" DO INCLUDE MOLD MISMATCH AND ARE DETERMINED AT DATUM PLANE -D-.

DIM	INCHES		MILLIMETERS	
	MIN	MAX	MIN	MAX
A	.076	.084	1.93	2.13
A1	.038	.044	0.96	1.12
A2	.040	.042	1.02	1.07
D	.416	.424	10.57	10.77
D1	.376	.384	9.55	9.75
D2	.290	.320	7.37	8.13
D3	.016	.024	0.41	0.61
E	.436	.444	11.07	11.28
E1	.236	.244	5.99	6.20
E2	.066	.074	1.68	1.88
E3	.150	.180	3.81	4.57
E4	.058	.066	1.47	1.68
F	.025 BSC		0.64 BSC	
b1	.193	.199	4.90	5.06
c1	.007	.011	0.18	0.28
aaa	.004		0.10	

STYLE 1:

- PIN 1. DRAIN
2. GATE
3. SOURCE

**CASE 1265-07
ISSUE F
(TO-270)
PLASTIC
(MRF9030MR1)**




- NOTES:
1. CONTROLLING DIMENSION: INCH.
 2. INTERPRET DIMENSIONS AND TOLERANCES PER ASME Y14.5M, 1994.
 3. DATUM PLANE -H- IS LOCATED AT THE TOP OF LEAD AND IS COINCIDENT WITH THE LEAD WHERE THE LEAD EXITS THE PLASTIC BODY AT THE TOP OF THE PARTING LINE.
 4. DIMENSIONS "D" AND "E1" DO NOT INCLUDE MOLD PROTRUSION. ALLOWABLE PROTRUSION IS .006 PER SIDE. DIMENSIONS "D" AND "E1" DO INCLUDE MOLD MISMATCH AND ARE DETERMINED AT DATUM PLANE -H-.
 5. DIMENSION "b1" DOES NOT INCLUDE DAMBAR PROTRUSION. ALLOWABLE DAMBAR PROTRUSION SHALL BE .005 TOTAL IN EXCESS OF THE "b1" DIMENSION AT MAXIMUM MATERIAL CONDITION.
 6. DATUMS -A- AND -B- TO BE DETERMINED AT DATUM PLANE -H-.
 7. DIMENSION A2 APPLIES WITHIN ZONE "J" ONLY.

DIM	INCHES		MILLIMETERS	
	MIN	MAX	MIN	MAX
A	.098	.110	2.49	2.79
A1	.038	.044	0.96	1.12
A2	.040	.042	1.02	1.07
D	.926	.934	23.52	23.72
D1	.810 BSC		20.57 BSC	
E	.438	.442	11.12	11.23
E1	.246	.254	6.25	6.45
F	.025 BSC		0.64 BSC	
b1	.193	.199	4.90	5.05
c1	.007	.011	.18	.28
r1	.063	.068	1.60	1.73
aaa	.004		.10	

STYLE 1:
 PIN 1. DRAIN
 2. GATE
 3. SOURCE

**CASE 1337-01
 ISSUE O
 (TO-272 DUAL LEAD)
 PLASTIC
 (MRF9030MBR1)**

Motorola reserves the right to make changes without further notice to any products herein. Motorola makes no warranty, representation or guarantee regarding the suitability of its products for any particular purpose, nor does Motorola assume any liability arising out of the application or use of any product or circuit, and specifically disclaims any and all liability, including without limitation consequential or incidental damages. "Typical" parameters which may be provided in Motorola data sheets and/or specifications can and do vary in different applications and actual performance may vary over time. All operating parameters, including "Typicals" must be validated for each customer application by customer's technical experts. Motorola does not convey any license under its patent rights nor the rights of others. Motorola products are not designed, intended, or authorized for use as components in systems intended for surgical implant into the body, or other applications intended to support or sustain life, or for any other application in which the failure of the Motorola product could create a situation where personal injury or death may occur. Should Buyer purchase or use Motorola products for any such unintended or unauthorized application, Buyer shall indemnify and hold Motorola and its officers, employees, subsidiaries, affiliates, and distributors harmless against all claims, costs, damages, and expenses, and reasonable attorney fees arising out of, directly or indirectly, any claim of personal injury or death associated with such unintended or unauthorized use, even if such claim alleges that Motorola was negligent regarding the design or manufacture of the part. Motorola, Inc. Motorola, Inc. is an Equal Opportunity/Affirmative Action Employer. MOTOROLA and the  logo are registered in the US Patent & Trademark Office. All other product or service names are the property of their respective owners.

© Motorola, Inc. 2002.

How to reach us:

USA/EUROPE/Locations Not Listed: Motorola Literature Distribution; P.O. Box 5405, Denver, Colorado 80217. 1-303-675-2140 or 1-800-441-2447

JAPAN: Motorola Japan Ltd.; SPS, Technical Information Center, 3-20-1, Minami-Azabu. Minato-ku, Tokyo 106-8573 Japan. 81-3-3440-3569

ASIA/PACIFIC: Motorola Semiconductors H.K. Ltd.; Silicon Harbour Centre, 2 Dai King Street, Tai Po Industrial Estate, Tai Po, N.T., Hong Kong. 852-26668334

Technical Information Center: 1-800-521-6274

HOME PAGE: <http://www.motorola.com/semiconductors/>

