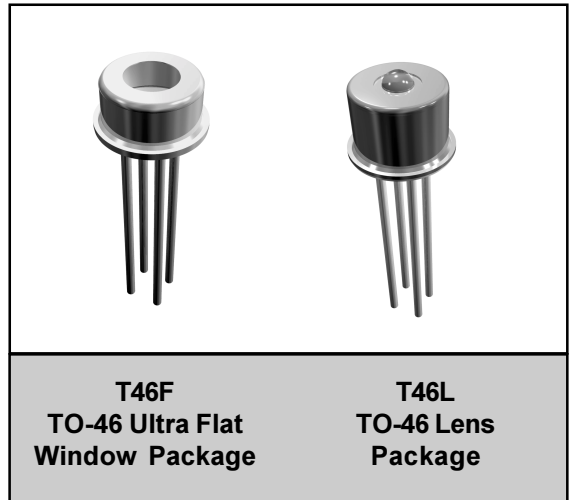


FEATURES

- Differential Output TIA
- 3.3V Operation
- Automatic Gain Control
- Integrated 850nm MSM Detector & TIA
- TO-46 Ultra Flat-Window or Lens Hermetic Package
- High Reliability

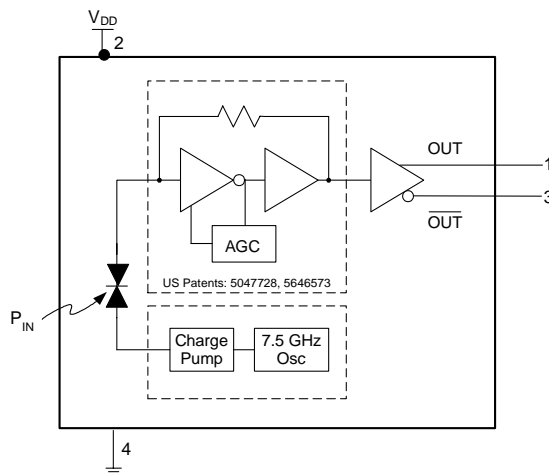
APPLICATIONS

- 2x Fibre Channel (2.125 Gb/s)


PRODUCT DESCRIPTION

The ANADIGICS AMT8301 is a 3.3V monolithically integrated Metal-Semiconductor-Metal (MSM) photodetector and transimpedance amplifier (TIA) used to convert an 850nm input optical signal into a differential output voltage, and is manufactured in ANADIGICS' 6" GaAs wafer fabrication facility. The integrated MSM and TIA receiver maximizes the receiver performance by minimizing the photodetector input parasitics to the TIA and

internally biasing the photodetector to achieve high sensitivity, bandwidth and overload performance. As an integrated product the reliability is inherently better than a discrete solution, and both the MSM-TIA integrated circuit and TO46 flat window and TO46 lens packaged receiver pass stringent reliability requirements. These products are readily designed into receivers and transceivers for 2X Fibre Channel applications.


Figure 1: AMT8301 Equivalent Circuit

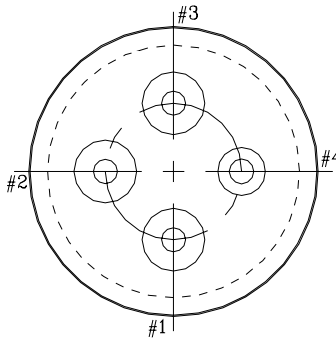


Figure 2: T46F/T46L Pin Outline (Bottom View)

Table 1: Package PIN Description

PIN	DESCRIPTION	COMMENT
1	V_{OUT} - TIA Output Voltage (non-Inverted)	Logical '1' with optical input
2	V_{DD} - Positive Supply Voltage	+3.3 Volts
3	$\overline{V_{OUT}}$ - TIA Output Voltage (Inverted)	Logical '0' with optical input
4	Ground	Case is grounded

ELECTRICAL CHARACTERISTICS

Table 2: Absolute Maximum Ratings

V_{DD}	6.0V
P_{IN}	+5dBm
T_S	Storage Temp. - 65 °C to 125 °C

Stresses in excess of the absolute ratings may cause permanent damage. Functional operation is not implied under these conditions. Exposure to absolute ratings for extended periods of time may adversely affect reliability.

Table 3: Electrical Characteristics

PARAMETER	MIN	TYP	MAX	UNIT
Wavelength (λ)	770	850	860	nm
Detector Diameter	-	100	-	μm
Small Signal Differential Responsivity ⁽¹⁾ (@ 50 MHz)	1000	-	-	V/W
Bandwidth ⁽¹⁾	1400	1900	-	MHz
Low Frequency Cutoff	-	-	300	kHz
Output Resistance	-	40	-	Ω
Optical Overload ⁽²⁾	0	-	-	dBm
Optical Sensitivity ⁽²⁾	-19	-	-	dBm
Differential Output Voltage ⁽³⁾	-	750	-	mV
T _{RISE} and T _{FALL} (20-80%) ⁽³⁾	-	140	-	ps
Duty Cycle Distortion ⁽³⁾	-	5	-	%
Total Jitter ^{(3), (4)}	-	50	-	ps
Supply Current	-	35	55	mA
Operating Voltage Range	+ 3.0	+3.3	+3.6	Volts
Operating Case Temperature Range	0	-	80	$^{\circ}\text{C}$

Notes:

- (1) Measured at -14 dBm optical input power with output connected into $R_L = 100\Omega$ (differential)
(2) Measured at 10^{-10} BER with a 2^7-1 PRBS at 2.125 Gb/s
(3) Measured with a 2^7-1 PRBS at 2.125 Gb/s, an input optical power of -3dBm and $R_L = 100\Omega$ (differential)
(4) 6σ about the center eye crossing

PERFORMANCE DATA

Figure 3: Eye Diagram with an Optical Input Power of -18dBm

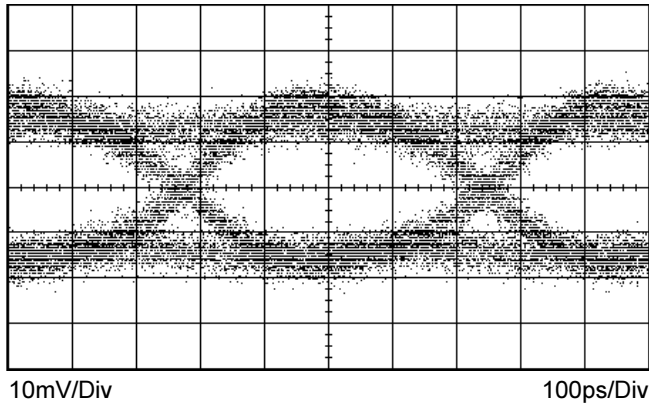


Figure 4: Eye Diagram with an Optical Input Power of -8.0dBm

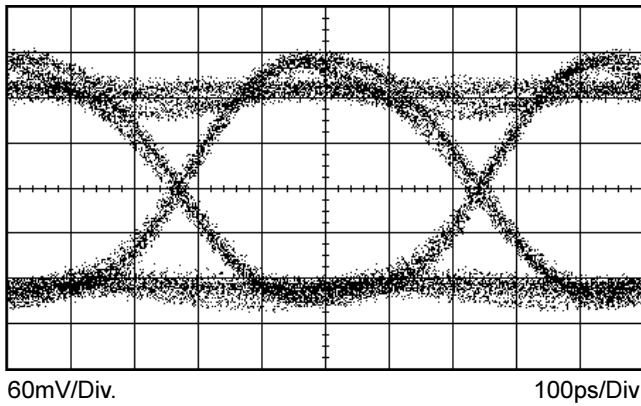


Figure 5: Eye Diagram with an Optical Input Power of 0dBm

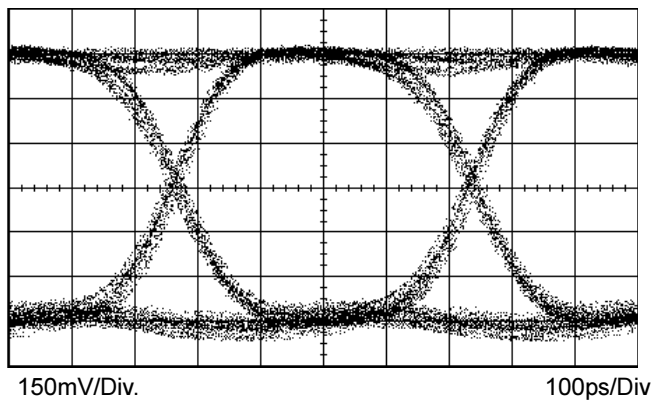


Figure 6: Supply Current vs. Temperature

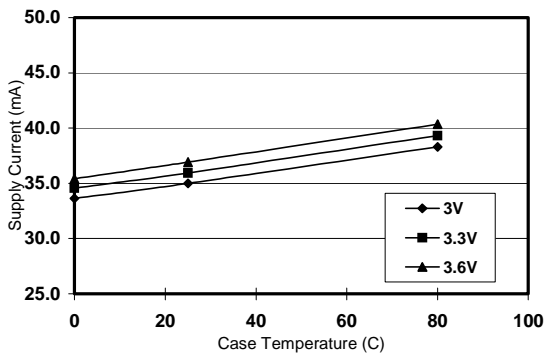


Figure 7: Bandwidth vs. Temperature

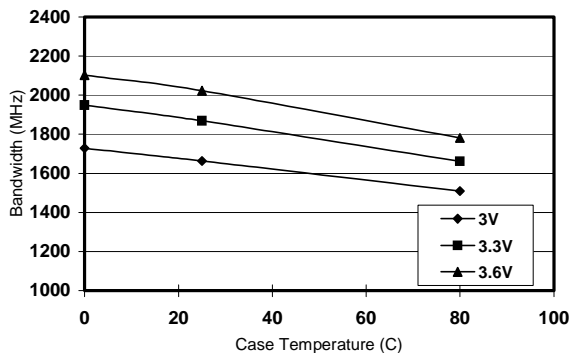


Figure 8: Differential Responsivity vs. Temperature

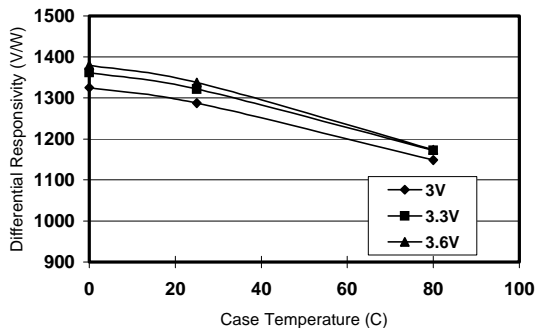
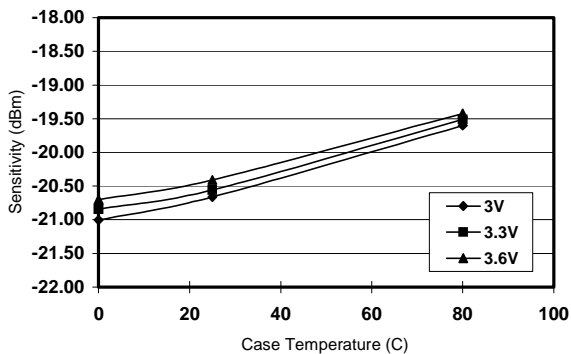


Figure 9: Sensitivity vs. Temperature



MEASUREMENT METHODS

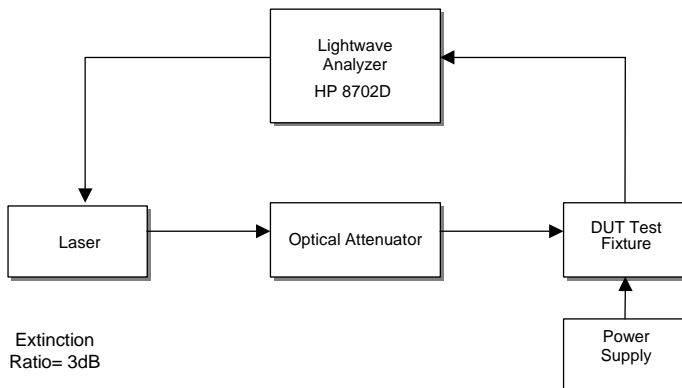


Figure 11: Test Setup for Frequency Response

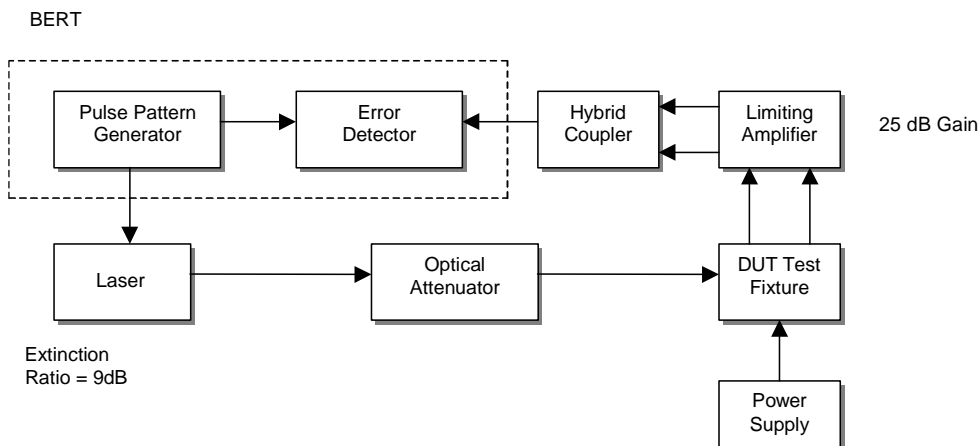


Figure 12: Test Setup for Sensitivity

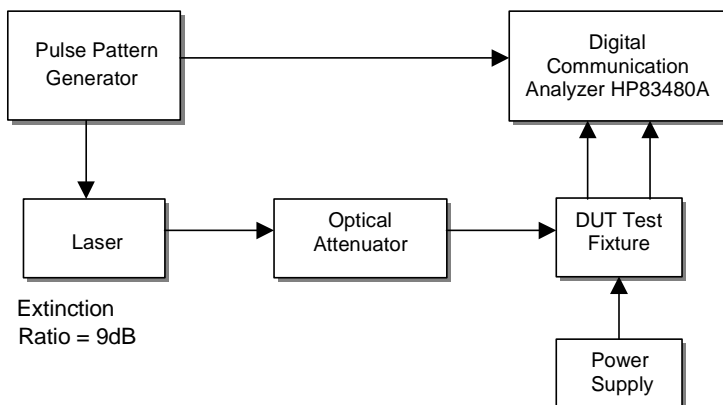
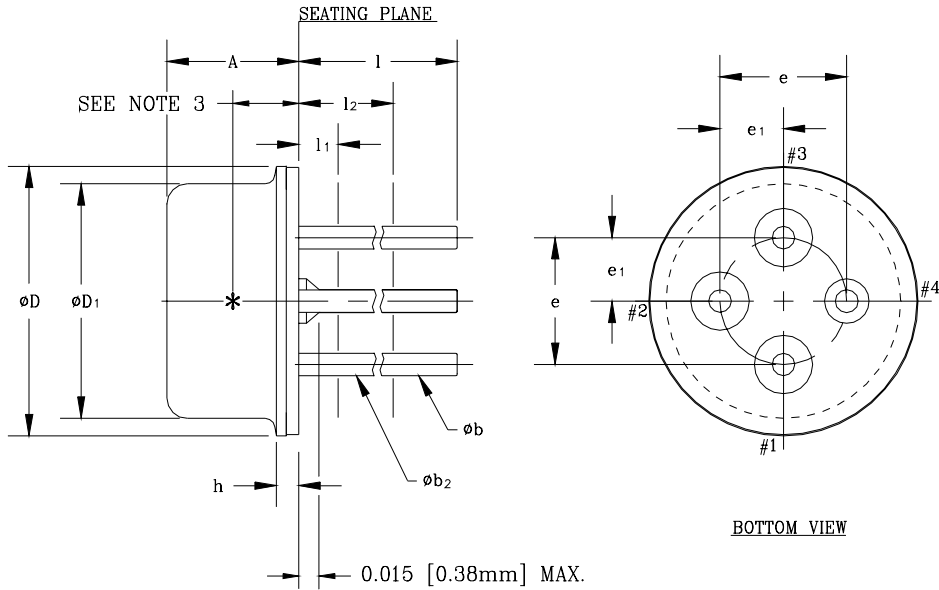


Figure 13: Test Setup for Eye Measurements

PACKAGE OUTLINE



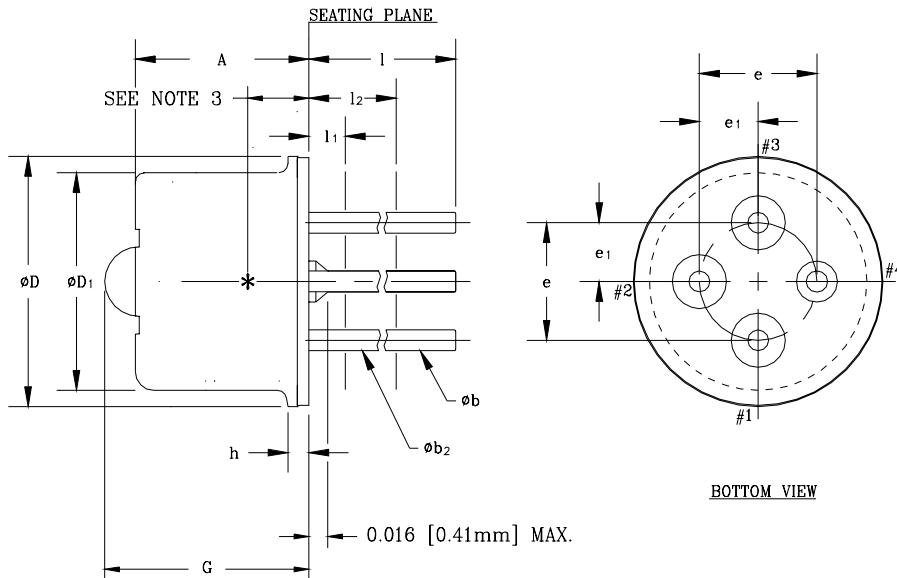
MM CONTROLLING DIMENSIONS

SYMBOL	INCHES		MILLIMETERS		NOTE
	MIN.	MAX.	MIN.	MAX.	
A	0.098	0.110	2.50	2.80	
ϕb	0.016	0.020	0.41	0.51	1
ϕb_2	0.012	0.019	0.30	0.48	1
ϕD	0.212	0.218	5.38	5.54	
ϕD_1	0.181	0.187	4.60	4.75	
e	0.100 T.P.		2.54 T.P.		2
e ₁	0.050 T.P.		1.27 T.P.		2
h	0.014	0.022	0.36	0.56	
l	0.500	0.540	12.70	13.70	1
l ₁	-	0.050	-	1.27	1
l ₂	0.250	-	6.35	-	1

NOTES:

- (FOUR LEADS) ϕb_2 APPLIES BETWEEN l_1 AND l_2 . ϕb APPLIES BETWEEN l_2 AND 0.5 [12.70mm] FROM SEATING PLANE. DIAMETER IS UNCONTROLLED IN l_1 AND BEYOND 0.5 [12.70mm] TO END OF PIN.
- MAXIMUM DIAMETER LEADS AT A GAGING PLANE 0.054 [1.37mm]+0.001 [0.025mm] -0.000 [0.000mm] BELOW SEATING PLANE TO BE WITHIN 0.007 [0.178mm] OF THEIR TRUE POSITION RELATIVE TO MAXIMUM-WIDTH TAB AND TO THE MAXIMUM 0.212 [5.40mm] DIAMETER MEASURED WITH A SUITABLE GAGE. WHEN GAGE IS NOT USED, MEASUREMENT WILL BE MADE AT 0.250 [6.35mm] FROM SEATING PLANE.
- INTERNAL OPTICAL HEIGHT = 0.052±0.003[1.31±.08]
- BENT LEADS SHOULD NOT EXTEND OUTSIDE DIAMETER (ϕD) OF CAP OR TOUCH EACH OTHER.
- ALL DIMENSIONS ARE REFERENCE ONLY-EXCEPT A, D & h.
- DETECTOR DIODE PLACEMENT ACCURACY: $\oplus 0.15\text{MM}[0.006]$ WITH RESPECT TO CENTER OF HEADER.(REF.ONLY)

Figure 15: T46F Package Outline Diagram



MM CONTROLLING DIMENSIONS

S _W ø _{OL}	INCHES		MILLIMETERS		NOTE
	MIN.	MAX.	MIN.	MAX.	
A	--	0.160	--	4.00	
øb	0.016	0.020	0.41	0.51	1
øb ₂	0.012	0.019	0.30	0.48	1
øD	0.212	0.218	5.38	5.54	
øD ₁	0.181	0.187	4.60	4.75	
e	0.100	T.P.	2.54	T.P.	2
e ₁	0.050	T.P.	1.27	T.P.	2
h	0.014	0.022	0.36	0.56	
l	0.500	0.540	12.70	13.70	1
l ₁	--	0.050	--	1.27	1
l ₂	0.250	--	6.35	--	1
G	--	0.190	--	4.66	7

NOTES:

- (FOUR LEADS) ø_{b2} APPLIES BETWEEN l₁ AND l₂. ø_b APPLIES BETWEEN l₂ AND 0.5 [12.70mm] FROM SEATING PLANE. DIAMETER IS UNCONTROLLED IN l₁ AND BEYOND 0.5 [12.70mm] TO END OF PIN.
- MAXIMUM DIAMETER LEADS AT A GAGING PLANE 0.054 [1.37mm]+0.001 [0.025mm] -0.000 [0.000mm] BELOW SEATING PLANE TO BE WITHIN 0.007 [0.178mm] OF THEIR TRUE POSITION RELATIVE TO MAXIMUM-WIDTH TAB AND TO THE MAXIMUM 0.212 [5.40mm] DIAMETER MEASURED WITH A SUITABLE GAGE. WHEN GAGE IS NOT USED, MEASUREMENT WILL BE MADE AT 0.250 [6.35mm] FROM SEATING PLANE.
- INTERNAL OPTICAL HEIGHT = 0.052±0.003[1.32±0.08] DIE PLACEMENT ACCURACY FOR REF. ONLY.
- BENT LEADS SHOULD NOT EXTEND OUTSIDE DIAMETER (øD) OF CAP OR TOUCH EACH OTHER.
- ALL DIMENSIONS ARE REFERENCE ONLY-EXCEPT A, D & h.
- DETECTOR DIODE PLACEMENT ACCURACY: ±0.15MM[0.006] ALL DIRECTIONS
- LENS HEIGHT = 0.65±0.1 [0.026±0.004]

Figure 16: T46L Package Outline Diagram

AMT8301

NOTES

NOTES

ORDERING INFORMATION

Part Number	Package Option	Package Description
AMT8301T46F	TO-46F	Ultra Flat Window Package
AMT8301T46L	TO-46L	Lens Package

ANADIGICS, Inc.

141 Mount Bethel Road
Warren, New Jersey 07059, U.S.A

Tel: +1 (908) 668-5000

Fax: +1 (908) 668-5132

<http://www.anadigics.com>

Mktg@anadigics.com

IMPORTANT NOTICE

ANADIGICS, Inc. reserves the right to make changes to its products or to discontinue any product at any time without notice. The product specifications contained in Advanced Product Information sheets and Preliminary Data Sheets are subject to change prior to a product's formal introduction. Information in Data Sheets have been carefully checked and are assumed to be reliable; however, ANADIGICS assumes no responsibilities for inaccuracies. ANADIGICS strongly urges customers to verify that the information they are using is current before placing orders.

WARNING

ANADIGICS products are not intended for use in life support appliances, devices, or systems. Use of an ANADIGICS product in any such application without written consent is prohibited.