

M64893FP/GP

SERIAL INPUT PLL FREQUENCY SYNTHESIZER FOR TV/VCR

DESCRIPTION

The M64893 is a semiconductor integrated circuit consisting of PLL frequency synthesizer for TV/VCR using Bip process. It contains the prescaler with operating up to 1.3GHz, 4 band drivers and Op. Amp for direct tuning.

FEATURES

- 4 integrated PNP band drivers (Io=40mA, Vsat=0.2V typ@Vcc1 to 13.2V)
- Built-in Op. Amp for direct tuning voltage output (33V)
- Low power dissipation (Icc=20mA, Vcc1=5V)
- Built-in prescaler with input amplifier (Fmax=1.3GHz)
- PLL lock/unlock status display out put (Built-in pull up resistor)
- X'tal 4MHz is used to realize 1 type of tuning steps (Division ratio 1/640)
- Serial data input. (3 wire bus)
- Built-in Power on reset system
- Small package (SOP/SSOP)

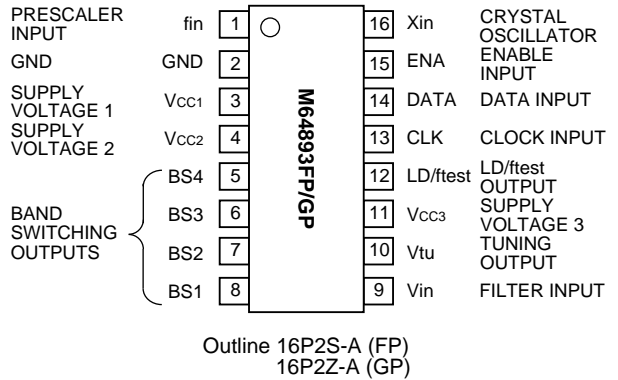
APPLICATION

TV, VCR tuners

RECOMMENDED OPERATING CONDITION

Supply voltage range.....	Vcc1=4.5 to 5.5V
	Vcc2=Vcc1 to 13.2V
	Vcc3=28 to 35V
Rated supply voltage.....	Vcc1=5V
	Vcc2=12V
	Vcc3=33V

PIN CONFIGURATION (TOP VIEW)



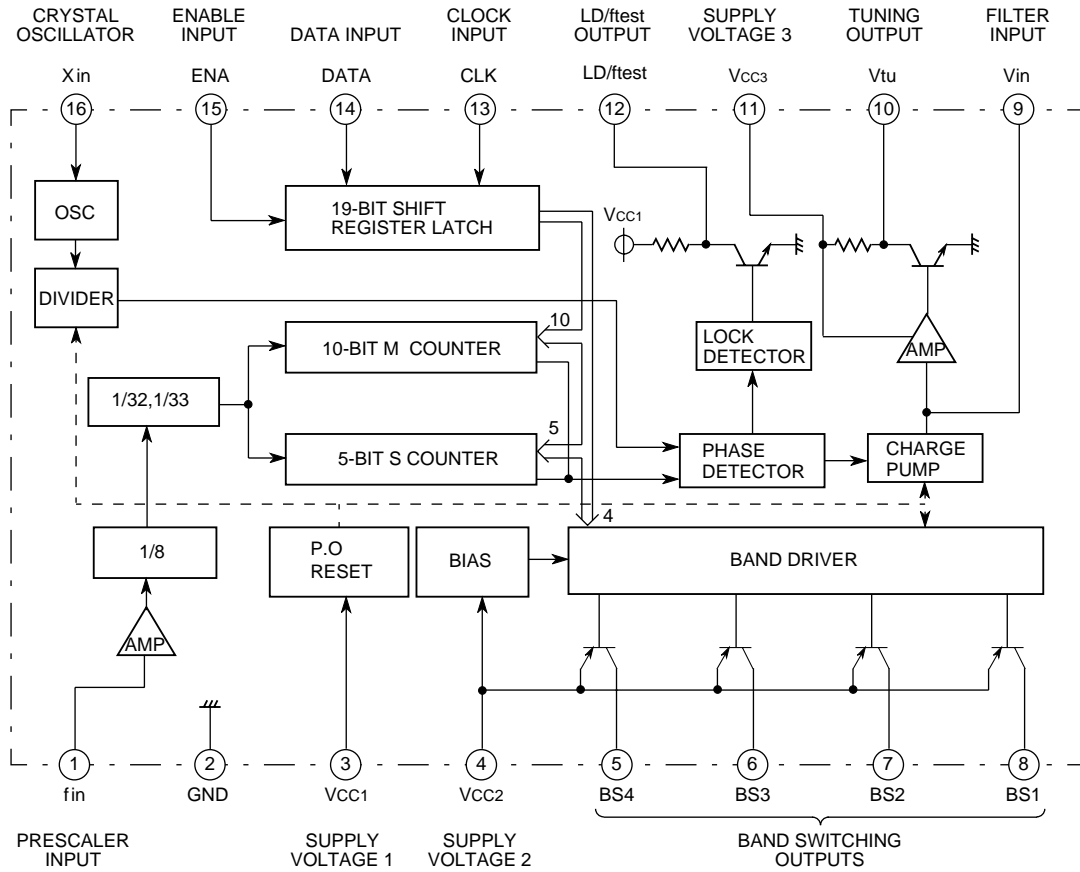
FUNCTION

- 2-modulus prescaler (1/32 and 1/33)
- Built-in 4MHz crystal oscillator and reference divider
- Programmable divider (10-bit M counter, 5-bit S counter)
- Tri-state phase comparator
- Lock detector
- Band switch driver
- Op. Amp for direct tuning

M64893FP/GP

SERIAL INPUT PLL FREQUENCY SYNTHESIZER FOR TV/VCR

BLOCK DIAGRAM



SERIAL INPUT PLL FREQUENCY SYNTHESIZER FOR TV/VCR

DESCRIPTION OF PIN

Pin No.	Symbol	Pin name	Function
1	fin	Prescaler input	Input for the VCO frequency.
2	GND	GND	Ground to 0V.
3	Vcc1	Power supply voltage 1	Power supply voltage terminal. 5.0V±0.5V
4	Vcc2	Power supply voltage 2	Power supply for band switching, Vcc1 to 13.2V
5 6 7 8	BS4 BS3 BS2 BS1	Band switching outputs	PNP open collector method is used. When the band switching data is "H", the output is ON. When it is "L", the output is OFF.
9	Vin	Filter input (Charge pump output)	This is the output terminal for the LPF input and charge pump output. When the phase of the programmable divider output (f 1/N) is ahead compared to the reference frequency (fref), the "source" current state becomes active. If it is behind, the "sink" current becomes active. If the phases are the same, the high impedance state becomes active.
10	Vtu	Tuning output	This supplies the tuning voltage.
11	Vcc3	Power supply voltage 3	Power supply voltage for tuning voltage 28 to 35V
12	LD/ftest	Lock detect/Test port	When 19 bit data is input, lock detector is output. When 27 bit data is input, lock detector is output, the programmable freq. Divider output and reference freq. Output is selected by the test mode.
13	CLK	Clock input	Data is read into the shift register when the clock signal falls.
14	DATA	Data input	Input for band SW and programmable freq. divider set up.
15	ENA	Enable input	This is normally at a "L". When this is at "H", data and clock signals are received. Data is read into the latch when the 19th pulse of the clock signal falls.
16	Xin	This is connected to the crystal oscillator	4.0MHz crystal oscillator is connected.

ABSOLUTE MAXIMUM RATINGS (Ta=-20°C to +75°C, unless otherwise noted)

Symbol	Parameter	Conditions	Ratings	Unit
Vcc1	Supply voltage 1	Pin3	6.0	V
Vcc2	Supply voltage 2	Pin4	14.4	V
Vcc3	Supply voltage 3	Pin11	36.0	V
Vi	Input voltage	Not to exceed Vcc1	6.0	V
Vo	Output voltage	LD output	6.0	V
VBSOFF	Voltage applied when the band output is OFF		14.4	V
IBSON	Band output current	Per 1 band output circuit	50.0	mA
tBSON	ON the time when the band output is ON	50mA per 1 band output circuit 3circuit are pn at same time	10	sec
Pd	Power dissipation	Ta=+75°C	470	mW
Topr	Operating temperature		-20 to +75	°C
Tstg	Storage temperature		-40 to +125	°C

RECOMMENDED OPERATING CONDITIONS (Ta=-20°C to +75°C, unless otherwise noted)

Symbol	Parameter	Conditions	Ratings	Unit
Vcc1	Supply voltage 1	Pin3	4.5 to 5.5	V
Vcc2	Supply voltage 2	Pin4	Vcc1 to 13.2	V
Vcc3	Supply voltage 3	Pin11	28 to 35	V
fopr1	Operating frequency (1)	Crystal oscillation circuit	4.0	MHz
fopr2	Operating frequency (2)		80 to 1,300	MHz
IBDL	Band output current 5 to 8	Normally 1 circuit is on. 2 circuits on at the same time is max. It is prohibited to have 3 or more circuits turned on at the same time.	0 to 40	mA

SERIAL INPUT PLL FREQUENCY SYNTHESIZER FOR TV/VCR

ELECTRICAL CHARACTERISTICS (Ta=-20°C to +75°C, Vcc1=5.0V, Vcc2=12V, Vcc3=33V, unless otherwise noted)

Symbol	Parameter		Test pin	Test conditions	Limits			Unit
					Min.	Typ.	Max.	
V _{IH}	Input pin	"H" input voltage	13 to 15		3.0	-	V _{CC1} +0.3	V
V _{IL}		"L" input voltage	13 to 15		-	-	1.5	V
I _{IH}		"H" input current	13 to 15	V _{CC1} =5.5V, V _i =4.0V	-	-	10	μA
I _{IL}		"L" input current	13, 15	V _{CC1} =5.5V, V _i =0.4V	-	-6	-10	μA
I _{IL}		"L" input current	14	V _{CC1} =5.5V, V _i =0.4V	-	-18	-30	μA
V _{OH}	Lock output	"H" output voltage	12	V _{CC1} =5.5V	5.0	-	-	V
V _{OL}		"L" output voltage	12	V _{CC1} =5.5V	-	0.3	0.5	V
V _{BS}	Band SW	Output voltage	5 to 8	V _{CC2} =12V, I _o =-40mA	11.6	11.8	-	V
I _{OLK2}		Leak current	5 to 8	V _{CC2} =12V band SW is OFF	-	-	-10	μA
V _{TOH}	Tuning output	Output voltage "H"	10	V _{CC3} =33V	32.5	-	-	V
V _{TOL}		Output voltage "L"	10	V _{CC3} =33V	-	0.2	0.4	V
I _{CPH}	Charge pump	"H" output current	9	V _{CC1} =5.0V, V _o =1V	-	±270	±370	μA
I _{CPL}		"L" output current	9	V _{CC1} =5.0V, V _o =1V	-	±70	±110	μA
I _{CPLK}		Leak current	9	V _{CC1} =5.0V, V _o =2.5V	-	-	±50	nA
I _{CC1}	Supply current 1		3	V _{CC1} =5.5V	-	20	30	mA
I _{CC2A}	Supply current 2	4 circuits: OFF	4	V _{CC2} =12V	-	-	0.3	mA
I _{CC2B}		1 circuits: ON, Output: OPEN	4	V _{CC2} =12V	-	6.0	8.0	mA
I _{CC2C}		Output current 40mA	4	V _{CC2} =12V I _o =-40mA	-	46.0	48.0	mA
I _{CC3}	Supply current 3		11	V _{CC3} =33V Output ON	-	3.0	4.0	mA

Note. Typical values are measured at V_{CC1}=5.0V, V_{CC2}=12V, V_{CC3}=33V, Ta=+25°C.

SWITCHING CHARACTERISTICS (Ta=-20°C to +75°C, Vcc1=5.0V, Vcc2=12V, Vcc3=33V, unless otherwise noted)

Symbol	Parameter		Test pin	Test conditions	Limits			Unit	
					Min.	Typ.	Max.		
f _{opr2}	Prescaler operating frequency		1	V _{CC1} =4.5 to 5.5V V _{in} =V _{inmin} to V _{inmax}	80	-	1300	MHz	
V _{in}	Operating input voltage		1	V _{CC1} =4.5 to 5.5V	80 to 100MHz	-24	-	4	dBm
					100 to 200MHz	-27	-	4	
					200 to 800MHz	-30	-	4	
					800 to 1000MHz	-27	-	4	
					1000 to 1300MHz	-18	-	4	
t _{PWC}	Clock pulse width		13	V _{CC1} =4.5 to 5.5V	1	-	-	μs	
t _{SU (D)}	Data setup time		14	V _{CC1} =4.5 to 5.5V	2	-	-	μs	
t _{H (D)}	Data hold time		14	V _{CC1} =4.5 to 5.5V	1	-	-	μs	
t _{SU (E)}	Enable setup time		15	V _{CC1} =4.5 to 5.5V	3	-	-	μs	
t _{H (E)}	Enable hold time		15	V _{CC1} =4.5 to 5.5V	3	-	-	μs	
t _{INT}	Enable data interval time		15, 14	V _{CC1} =4.5 to 5.5V	1	-	-	μs	
t _r	Rise time		13, 14, 15	V _{CC1} =4.5 to 5.5V	-	-	1	μs	
t _f	Fall time		13, 14, 15	V _{CC1} =4.5 to 5.5V	-	-	1	μs	
t _{bt}	Next enable prohibit time		15	V _{CC1} =4.5 to 5.5V	5	-	-	μs	
t _{bcl}	Next clock prohibit time		13, 15	V _{CC1} =4.5 to 5.5V	5	-	-	μs	

SERIAL INPUT PLL FREQUENCY SYNTHESIZER FOR TV/VCR

METHOD OF SETTING DATA

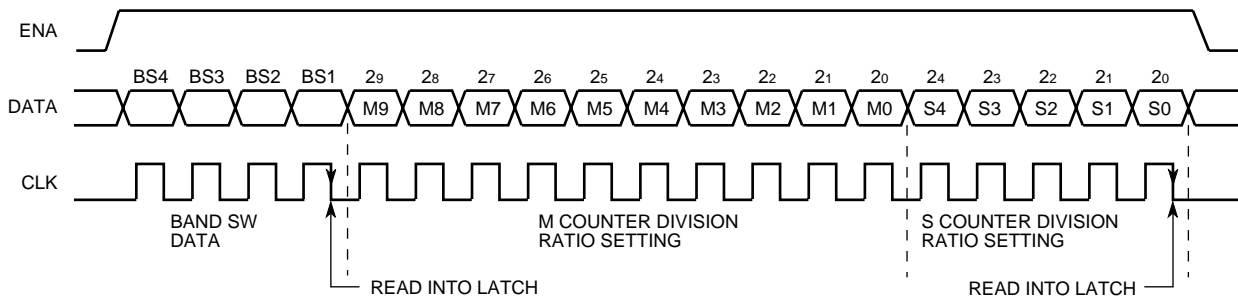
The frequency demultiplying ratio uses 15bits. Setting up the band switching output uses 4bits.

The test mode data uses 8bits. The total bits used is 27bits. Data is read in when the enable signal is "H" and the clock signal falls.

The band switching data is read in at the 4th pulse of the clock signal. The program counter data is read into the latch by the fall of

the 19th pulse of the clock signal. When the enable signal goes to "L" before the 19th pulse of the enable signal, only the band SW data is updated and other data is ignored.

The data is latched at the 19th pulse of the clock signal. At this time, 1/640 frequency division ratio is used. Clock signals after the above are invalid.



HOW TO SET THE DIVIDING RATIO OF THE PROGRAMMABLE DIVIDER

Total division N is given by the following formulas in addition to the prescaler used in the previous stage.

$$N=8(32M+S)$$

M: 10 bit main counter division
 S: 5 bit swallow counter division

The M and S counters are binary the possible ranges of division are as follows.

$$32 \leq M \leq 1023$$

$$0 \leq S \leq 31$$

Therefore, the range of division N is 8,192 to 262,136.

The tuning frequency f_{vco} is given in the following equations.

$$f_{vco} = f_{REF} \times N$$

$$= 6.25 \times 8 \times (32M+S)$$

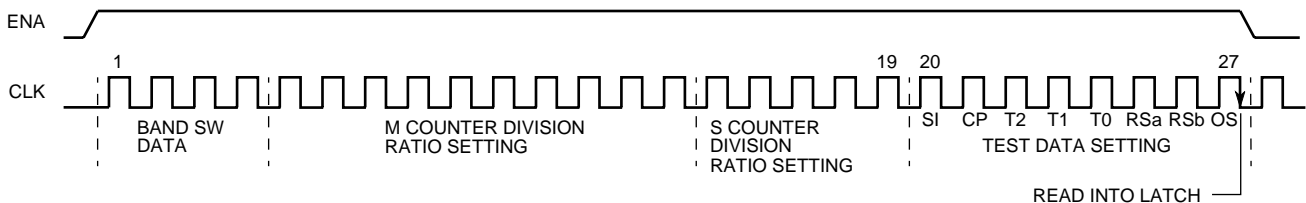
$$= 50.0 \times (32M+S) \quad [\text{kHz}]$$

But, the tuning frequency range is 51.2MHz to 1300MHz from the maximum prescaler operating frequency.

TEST MODE DATA SET UP METHOD

The data for the test mode uses 20 to 27bits. Data is latched when the 27th clock signal falls.

(1) When transferring 3-wire 27 bit data



SERIAL INPUT PLL FREQUENCY SYNTHESIZER FOR TV/VCR

(2) Test-mode bit setting

- X :Random, 0 or 1.normal "0"
- CP :Set up the charge pump current value
- T0, T1, and T2 :Set up test modes
- RSa, RSb :Set the frequency division of the standard frequency
- OS :Set up the tuning amplifier
- SI :1 Only (It is prohibit to "0 ")

Setting up the charge pump current of the phase comparator

CP	Charge pump current	Mode
0	70 μ A	Test
1	270 μ A	Normal

Setting up for the test mode

T2	T1	T0	Charge pump	12 pin output	Mode
0	0	X	Normal operation	LD	Normal operation
0	1	X	High impedance	LD	Test mode
1	1	0	Sink	LD	Test mode
1	1	1	Source	LD	Test mode
1	0	0	High impedance	f _{REF}	Test mode
1	0	1	High impedance	f _{1/N}	Test mode

Set up for the reference frequency division ratio

RSa	RSb	Division ratio
1	1	1/512
0	1	1/1024
X	0	1/640

Set up the tuning amplifier

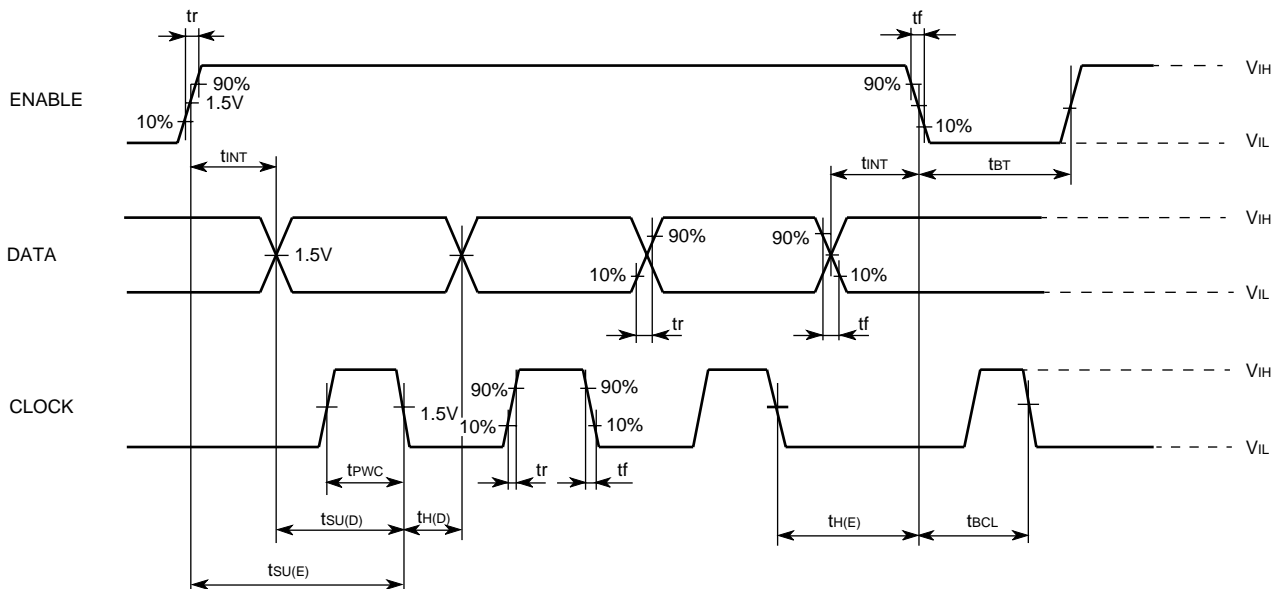
OS	Tuning voltage output	Mode
0	ON	Normal
1	OFF	Test

POWER ON RESET OPERATION

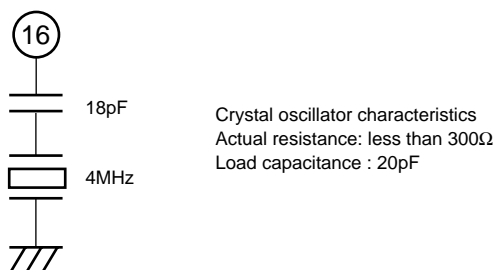
(Initial state the power is turned ON)

- BS4 to BS1 : OFF
- Charge pump : High impedance
- Tuning amplifier : OFF
- Charge pump current : 270 μ A
- Frequency divider ratio : 1/640
- Lock detect : "H"

TIMING DIAGRAM



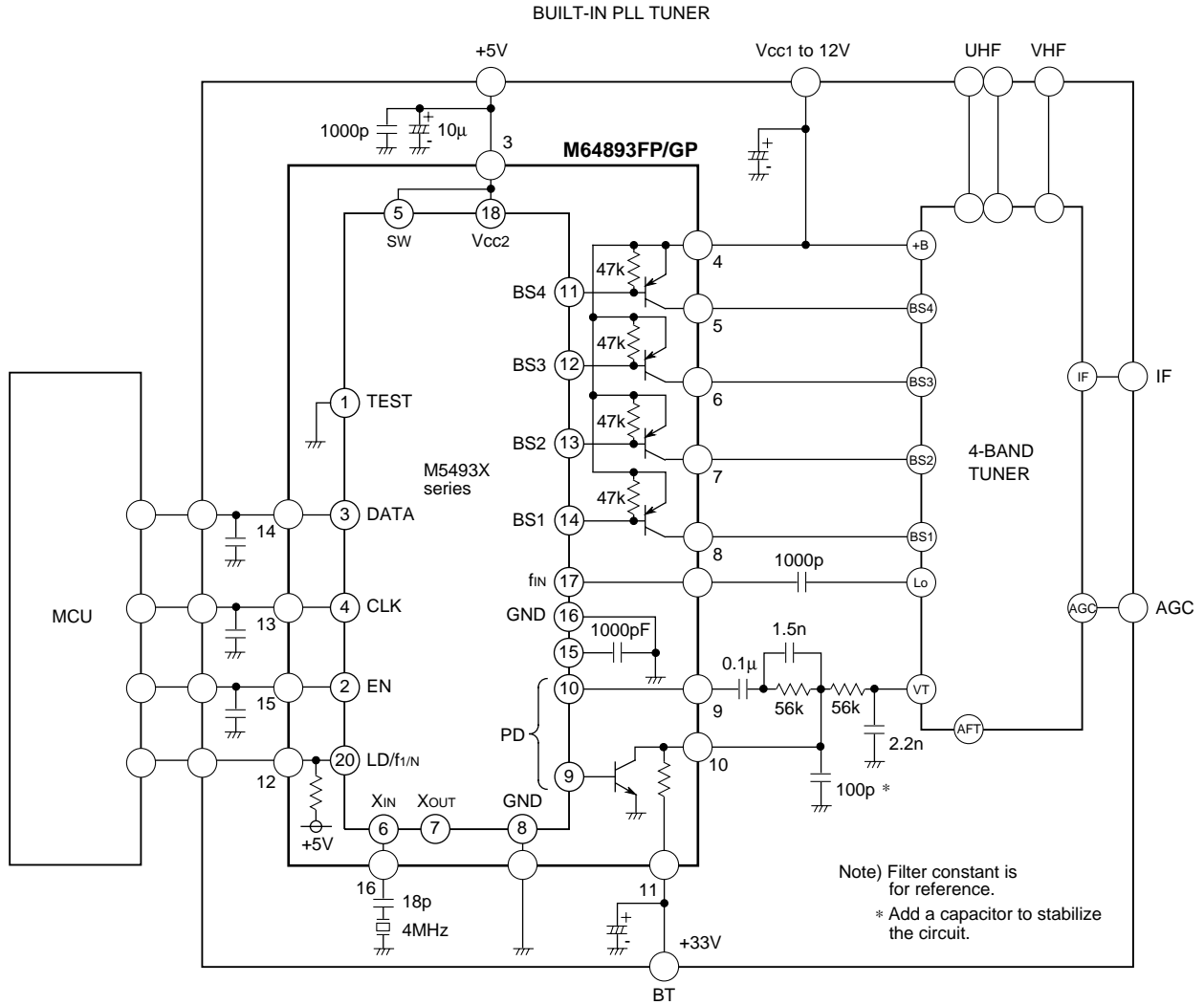
CRYSTAL OSCILLATOR CONNECTION DIAGRAM



MITSUBISHI ICs (TV)
M64893FP/GP

SERIAL INPUT PLL FREQUENCY SYNTHESIZER FOR TV/VCR

APPLICATION EXAMPLE



Units Resistance : Ω
 Capacitance : F