



MAX8586 Evaluation Kit

Evaluates: MAX8586

General Description

The MAX8586 evaluation kit (EV kit) is a fully assembled and tested surface-mount circuit board demonstrating the MAX8586 1.2A USB switch. The EV kit operates from a 2.7V to 5.5V input power supply and is capable of sourcing up to 1.2A. The MAX8586 features an adjustable current limit and autorestart for overload and short-circuit protection. A 20ms fault-blanking time prevents erroneous faults caused by load transients and capacitive loads. The MAX8586 is assembled in the space-saving 8-lead 3mm x 3mm TDFN package.

Component List

DESIGNATION	QTY	DESCRIPTION
C1, C2	2	1 μ F \pm 10%, 10V X5R ceramic capacitors (0603) TDK C1608X5R1A105K or equivalent
JU1, JU2, JU3	3	3-pin headers
R1	1	100k Ω \pm 5% resistor (0603)
R2	1	26.1k Ω \pm 1% resistor (0603)
U1	1	MAX8586ETA
None	3	Shunts
None	1	MAX8586 EV kit PC board

Features

- ◆ Tiny 8-Lead 3mm x 3mm TDFN Package
- ◆ Reverse-Current Blocking
- ◆ Programmable Current Limit
- ◆ Autorestart When Fault Is Removed
- ◆ 14% Accurate Current Limit
- ◆ Up to 1.2A Load Current
- ◆ Thermal Overload Protection
- ◆ Built-In 20ms Fault-Blanking
- ◆ Compliant to All USB Specifications
- ◆ 2.7V to 5.5V Input Supply Range
- ◆ FAULT Indicator Output
- ◆ Active-High/Active-Low Select Pin
- ◆ UL Listing Pending
- ◆ Fully Assembled and Tested

Ordering Information

PART	TEMP RANGE	IC PACKAGE
MAX8586EVKIT	0°C to +70°C	8 TDFN 3mm x 3mm

Component Suppliers

SUPPLIER	COMPONENT	PHONE	WEBSITE
Taiyo Yuden	Capacitors	408-573-4150	www.t-yuden.com
TDK	Capacitors	888-835-6646	www.component.tdk.com
Vishay	Resistors	402-563-6866	www.vishay.com

Note: Indicate that you are using the MAX8586 EV kit when contacting these component suppliers.

Quick Start

Recommended Equipment

- 0 to 6V, 1.5A variable power supply
- 1 digital multimeter (DMM)
- Dummy load capable of sinking 1.2A

Procedure

The MAX8586 EV kit is fully assembled and tested. Follow these steps to verify board operation:

- 1) Preset the power supply to 2.7V and turn off. **Do not turn the power supply on until all connections are made.**

MAX8586 Evaluation Kit

- 2) Verify on the MAX8586 EV kit that there is a shunt across pins 1 and 2 of JU1 and JU2 to enable the device.
- 3) Connect the positive lead of the power supply to the VIN pad on the EV kit and the negative lead of the power supply to the GND pad on the EV kit.
- 4) Connect the positive lead of the DMM to the VOUT pad on the EV kit and the negative lead of the DMM to the GND pad on the EV kit to measure the output voltage.
- 5) Turn on the power supply and sweep the input voltage from 2.7V to 5.5V.
- 6) Verify that the output voltage tracks the voltage at VIN over the entire input range.
- 7) Set the power supply to 5V.
- 8) Connect the 1.2A load between the VOUT and GND pads on the EV kit.
- 9) Verify that the output voltage is approximately 5V.

Detailed Description

$\overline{\text{FAULT}}$

The MAX8586 provides an open-drain fault output ($\overline{\text{FAULT}}$) to indicate that a fault has occurred. In the MAX8586 EV kit, the $\overline{\text{FAULT}}$ output is connected to VIN through a 100k Ω pullup resistor. $\overline{\text{FAULT}}$ asserts low when any of the following conditions occur:

- The input voltage is below the UVLO threshold.
- The switch junction temperature exceeds the +160°C thermal-shutdown temperature limit.
- The switch is in current-limit or short-circuit current-limit mode after the fault-blanking period (20ms) expires.
- A reverse-current condition exists after the fault-blanking period expires.

The $\overline{\text{FAULT}}$ output goes high impedance after a 20ms delay once the fault condition is removed. Refer to the MAX8586 data sheet for more details on fault protection and fault blanking.

Shutdown (SEL, ON)

SEL sets the active polarity of the logic input, ON. JU1 is provided to select the connection to SEL. Place a jumper between pins 1 and 2 of JU1 to connect SEL to VIN and make ON an active-high input. Place a jumper between pins 2 and 3 of JU1 to connect SEL to GND and make ON an active-low input. See Table 1.

JU2 is provided for ON control. Connect a shunt across pins 1 and 2 of JU2 to connect ON to VIN. Connect a shunt across pins 2 and 3 of JU2 to connect ON to GND. The output of a disabled switch enters a high-impedance state.

Setting the Current Limit

The current limit for the MAX8586 is user programmable using the ISET input. Connect a resistor from ISET to GND (R2) to set the current limit. The value for R2 is calculated as:

$$I_{\text{LIMIT}} = 1.4\text{A} \times 26\text{k}\Omega / R2$$

R2 must be between 26k Ω and 60k Ω .

Autorestart (ENRESET)

The MAX8586 features an autorestart function that tests an overloaded output with a 25mA current to determine when the overload or short circuit has been released. JU3 is available to enable or disable the autorestart function (see Table 2). Place a shunt between positions 1 and 2 of JU3 to enable autorestart. Place a shunt between positions 2 and 3 of JU3 to disable autorestart. Refer to the MAX8586 data sheet for more details on the autorestart function.

Jumper Settings

Table 1. Jumper JU1 and JU2 Functions (ON/OFF Control)

JU1 SHUNT LOCATION	JU2 SHUNT LOCATION	SEL	ON	USB SWITCH STATE
1 and 2	1 and 2	Connected to VIN	Connected to VIN	On
2 and 3	1 and 2	Connect to GND	Connected to VIN	Off
1 and 2	2 and 3	Connected to VIN	Connect to GND	Off
2 and 3	2 and 3	Connect to GND	Connect to GND	On

Table 2. Jumper JU3 Function (Autorestart Control)

JU3 SHUNT LOCATION	ENRESET	AUTORESTART
1 and 2	Connected to VIN	Enabled
2 and 3	Connected to GND	Disabled

MAX8586 Evaluation Kit

Evaluates: MAX8586

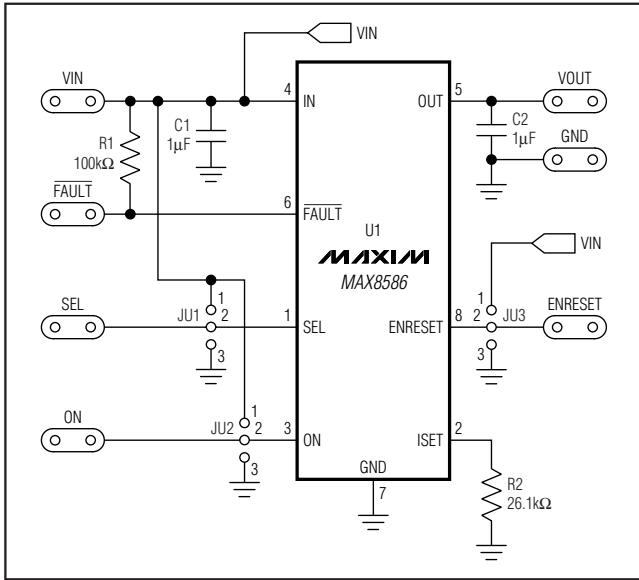


Figure 1. MAX8586 EV Kit Schematic

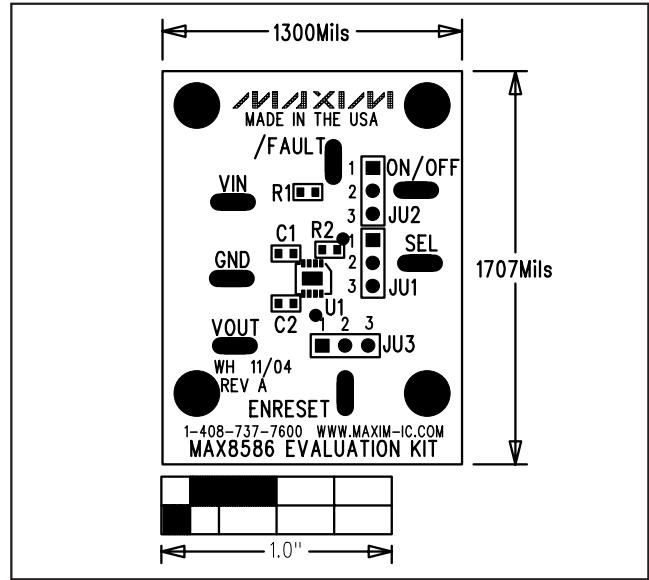


Figure 2. MAX8586 EV Kit Component Placement Guide—Top Silkscreen

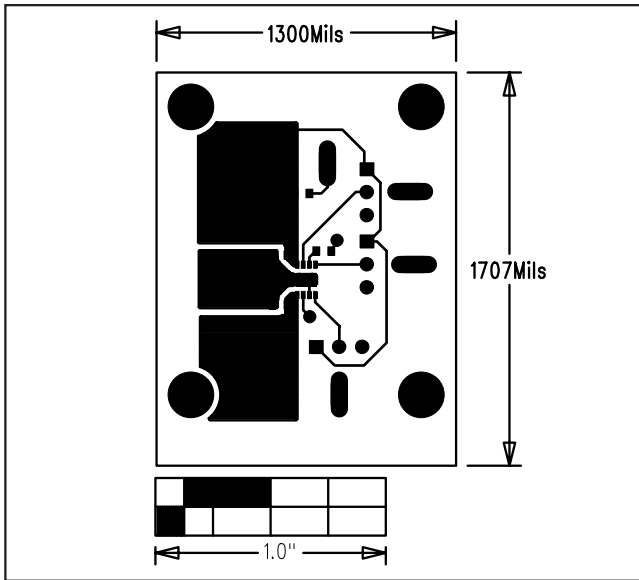


Figure 3. MAX8586 EV Kit PC Board Layout—Component Side

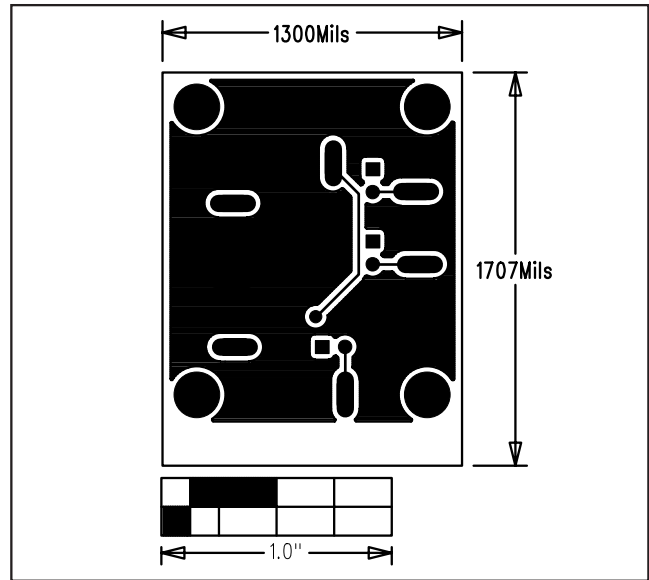


Figure 4. MAX8586 EV Kit PC Board Layout—Solder Side

Maxim cannot assume responsibility for use of any circuitry other than circuitry entirely embodied in a Maxim product. No circuit patent licenses are implied. Maxim reserves the right to change the circuitry and specifications without notice at any time.

Maxim Integrated Products, 120 San Gabriel Drive, Sunnyvale, CA 94086 408-737-7600 3