

**Features**

- Low power consumption
- Low voltage drop
- Low temperature coefficient
- High input voltage (up to -24V)
- High output current : 100mA ( $P_d \leq 250\text{mW}$ )
- TO-92 and SOT-89 package

**Applications**

- Battery-powered equipment
- Communication equipment
- Audio/Video equipment

**General Description**

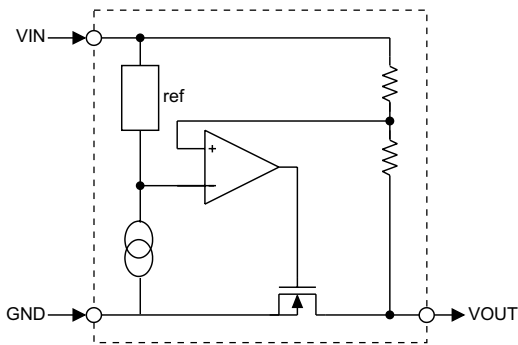
The HT74XX series is a set of three-terminal high current high voltage regulator implemented in CMOS technology. They can deliver 100mA output current and allow an input voltage as high as -24V. They are available with several fixed output voltages ranging from -2.4V to -15V. CMOS technology ensures low voltage drop and low quiescent current.

Although designed primarily as fixed voltage regulators, these devices can be used with external components to obtain variable voltages and currents.

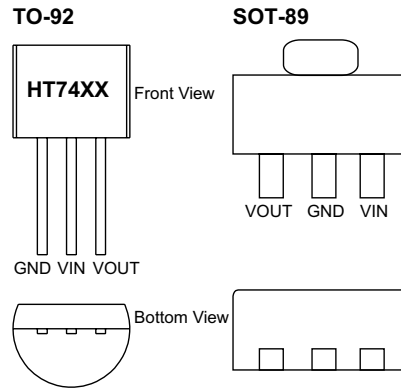
**Selection Table**

<b>Part No.</b>	<b>Output Voltage</b>	<b>Tolerance</b>
HT7430	-3.0V	±5%
HT7450	-5.0V	±5%

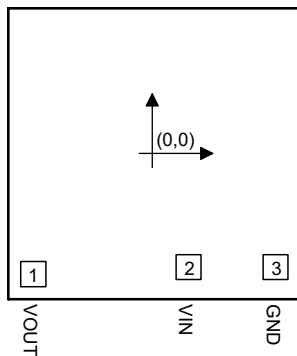
**Block Diagram**



**Pin Assignment**



**Pad Assignment**



**Pad Coordinates**

Unit:  $\mu\text{m}$

Pad No.	X	Y
1	-571.75	-578.00
2	175.75	-545.50
3	592.25	-545.50

Chip size:  $1550 \times 1562 (\mu\text{m})^2$

\* The IC substrate should be connected to VDD in the PCB layout artwork.

**Absolute Maximum Ratings**

Supply Voltage.....+0.3V to -26V      Storage Temperature.....-50°C to 125°C  
 Power Consumption..... 250mW      Operating Temperature .....0°C to 70°C

Note: These are stress ratings only. Stresses exceeding the range specified under "Absolute Maximum Ratings" may cause substantial damage to the device. Functional operation of this device at other conditions beyond those listed in the specification is not implied and prolonged exposure to extreme conditions may affect device reliability.

**Electrical Characteristics**
**HT7430, -3.0V output type**
**T<sub>a</sub>=25°C**

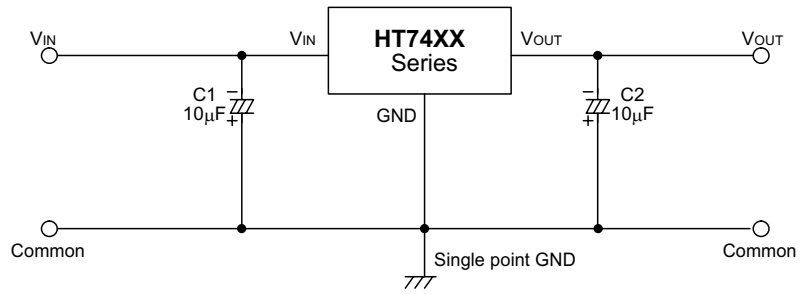
Symbol	Parameter	Test Conditions		Min.	Typ.	Max.	Unit
		V <sub>IN</sub>	Conditions				
V <sub>OUT</sub>	Output Voltage Tolerance	-5V	I <sub>OUT</sub> =10mA	-2.85	-3.0	-3.15	V
I <sub>OUT</sub>	Output Current	-5V	—	60	100	—	mA
ΔV <sub>OUT</sub>	Load Regulation	-5V	1mA≤I <sub>OUT</sub> ≤50mA	—	60	120	mV
V <sub>DIF</sub>	Voltage Drop	—	I <sub>OUT</sub> =1mA	—	100	—	mV
I <sub>SS</sub>	Current Consumption	-5V	No load	—	200	350	μA
$\frac{\Delta V_{OUT}}{\Delta V_{IN} \times V_{OUT}}$	Line Regulation	—	-4V≤V <sub>IN</sub> ≤-12V I <sub>OUT</sub> =1mA	—	0.2	—	%/V
V <sub>IN</sub>	Input Voltage	—	—	—	—	-24	V
$\frac{\Delta V_{OUT}}{\Delta T_a}$	Temperature Coefficient	-5V	I <sub>OUT</sub> =10mA 0°C<T <sub>a</sub> <70°C	—	±0.45	—	mV/°C

**HT7450, -5.0V output type**
**T<sub>a</sub>=25°C**

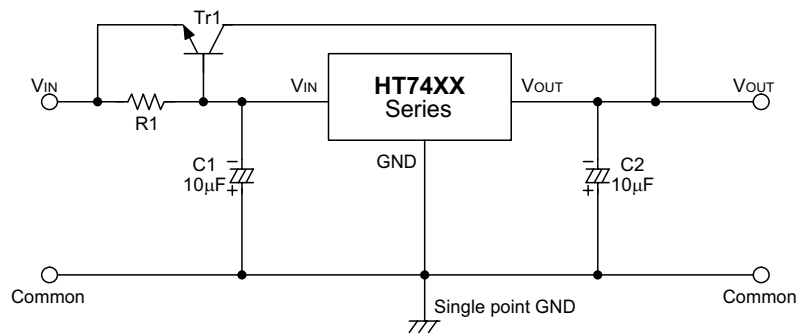
Symbol	Parameter	Test Conditions		Min.	Typ.	Max.	Unit
		V <sub>IN</sub>	Conditions				
V <sub>OUT</sub>	Output Voltage	-7V	I <sub>OUT</sub> =10mA	-4.75	-5.0	-5.25	V
I <sub>OUT</sub>	Output Current	-7V	—	100	150	—	mA
ΔV <sub>OUT</sub>	Load Regulation	-7V	1mA≤I <sub>OUT</sub> ≤30mA	—	60	150	mV
V <sub>DIF</sub>	Voltage Drop	—	I <sub>OUT</sub> =1mA	—	100	—	mV
I <sub>SS</sub>	Current Consumption	-7V	No load	—	330	500	μA
$\frac{\Delta V_{OUT}}{\Delta V_{IN} \times V_{OUT}}$	Line Regulation	—	-6V≤V <sub>IN</sub> ≤-15V I <sub>OUT</sub> =1mA	—	0.2	—	%/V
V <sub>IN</sub>	Input Voltage	—	—	—	—	-24	V
$\frac{\Delta V_{OUT}}{\Delta T_a}$	Temperature Coefficient	-7V	I <sub>OUT</sub> =10mA 0°C<T <sub>a</sub> <70°C	—	±0.75	—	mV/°C

**Application Circuits**

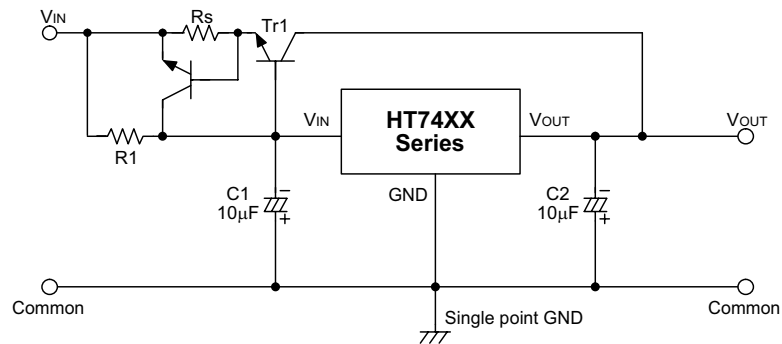
**Basic circuit**



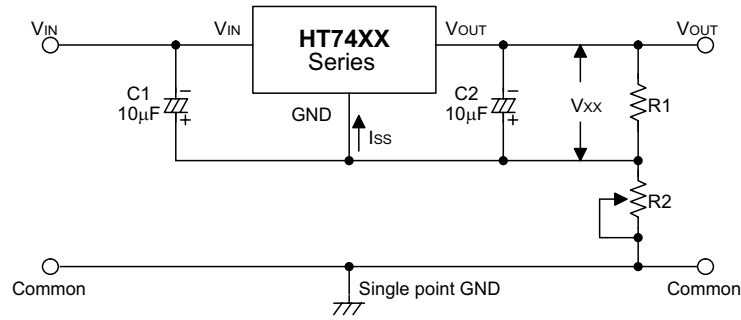
**High output current positive voltage regulator**



**Short-Circuit protection by Tr1**

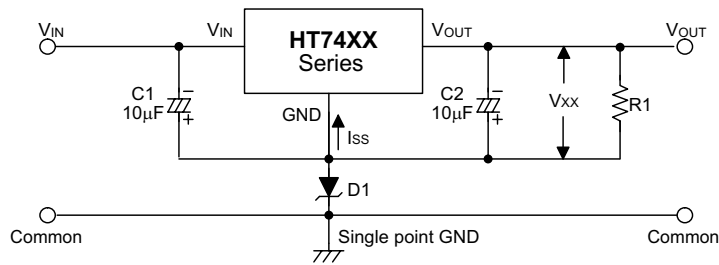


**Circuit for increasing output voltage**



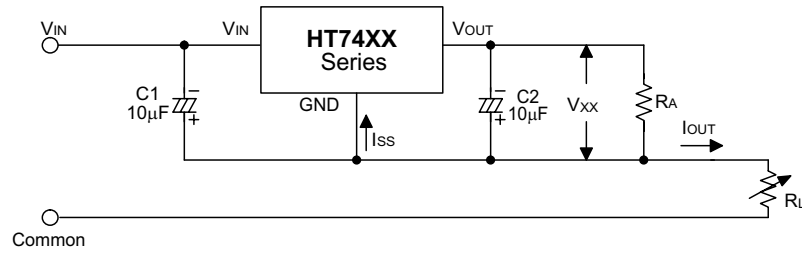
$$V_{OUT} = V_{XX} \left( 1 + \frac{R2}{R1} \right) + I_{SS} R2$$

**Circuit for increasing output voltage**



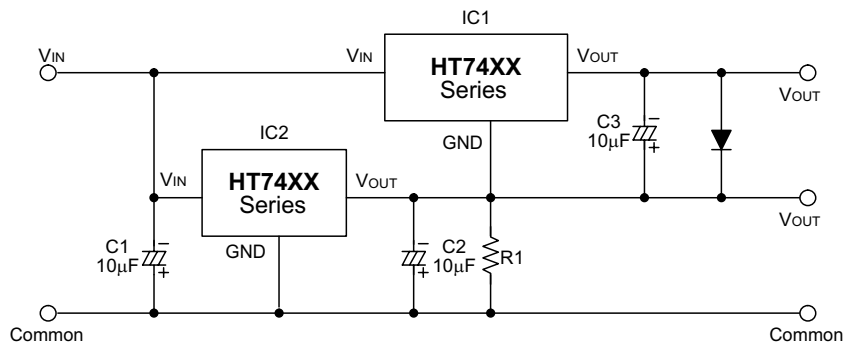
$$V_{OUT} = V_{XX} + V_{D1}$$

**Constant current regulator**



$$I_{OUT} = \frac{V_{XX}}{R_A} + I_{SS}$$

Dual supply



**Holtek Semiconductor Inc. (Headquarters)**

No.3 Creation Rd. II, Science-based Industrial Park, Hsinchu, Taiwan, R.O.C.  
Tel: 886-3-563-1999  
Fax: 886-3-563-1189

**Holtek Semiconductor Inc. (Taipei Office)**

5F, No.576, Sec.7 Chung Hsiao E. Rd., Taipei, Taiwan, R.O.C.  
Tel: 886-2-2782-9635  
Fax: 886-2-2782-9636  
Fax: 886-2-2782-7128 (International sales hotline)

**Holtek Semiconductor (Hong Kong) Ltd.**

RM.711, Tower 2, Cheung Sha Wan Plaza, 833 Cheung Sha Wan Rd., Kowloon, Hong Kong  
Tel: 852-2-745-8288  
Fax: 852-2-742-8657

Copyright © 2000 by HOLTEK SEMICONDUCTOR INC.

The information appearing in this Data Sheet is believed to be accurate at the time of publication. However, Holtek assumes no responsibility arising from the use of the specifications described. The applications mentioned herein are used solely for the purpose of illustration and Holtek makes no warranty or representation that such applications will be suitable without further modification, nor recommends the use of its products for application that may present a risk to human life due to malfunction or otherwise. Holtek reserves the right to alter its products without prior notification. For the most up-to-date information, please visit our web site at <http://www.holtek.com.tw>.