

DUAL CMOS RAIL TO RAIL OPERATIONAL AMPLIFIER AND DUAL CMOS COMPARATOR

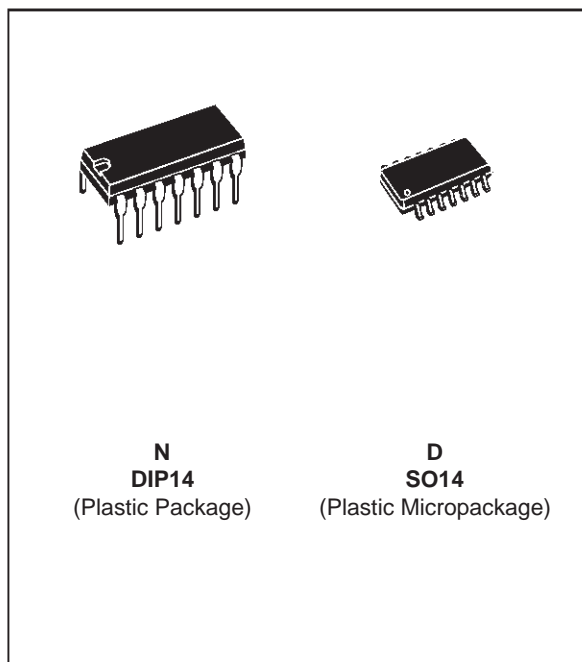
- SINGLE SUPPLY OPERATION FROM **2.7V TO 16V**
- LOW SUPPLY CURRENT: 500 μ A ($V_{CC} = 5V$)
- LATCH - UP IMMUNITY

OPERATIONAL AMPLIFIERS

- RAIL TO RAIL INPUT AND OUTPUT
- EXTREMELY LOW INPUT BIAS CURRENT : 1pA typ.
- 1MHz TYPICAL GAIN BANDWIDTH PRODUCT
- SPECIFIED FOR 600 Ω OUTPUT LOAD

COMPARATORS

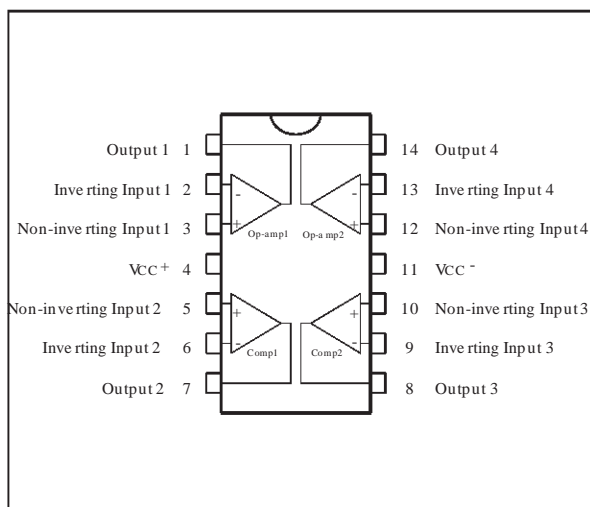
- PUSH-PULL OUTPUT (no external pull-up resistor required)
 - EXTREMELY LOW INPUT BIAS CURRENT : 1pA typ.
 - EXTREMELY LOW INPUT OFFSET CURRENT : 1pA typ.
 - INPUT COMMON-MODE VOLTAGE RANGE INCLUDES GROUND
 - HIGH INPUT IMPEDANCE : 10¹² typ.
 - FAST RESPONSE TIME : 2 μ s TYP. FOR 5mV OVERDRIVE
- SPICE **MACROMODEL** INCLUDED IN THIS SPECIFICATION



ORDER CODES

Part Number	Temperature Range	Package	
		N	D
TSM221I	-40, +125°C	•	•

PIN CONNECTIONS (top view)



DESCRIPTION

The TSM221 is a space-saving monolithic IC which includes a dual Rail to Rail op-amp and a micro-power dual comparator, using a CMOS process. This mixed circuit is a general purpose analog block for Telecom or Industrial applications, offering an integrated high performances solution.

ABSOLUTE MAXIMUM RATINGS (OPERATIONAL AMPLIFIERS)

Symbol	Parameter	Value	Unit
V _{CC}	Supply Voltage - (note 1)	18	V
V _{id}	Differential Input Voltage - (note 2)	±18	V
V _i	Input Voltage - (note 3)	-0.3 to 18	V
I _{in}	Current on Inputs (Op-Amps)	±50	mA
I _o	Current on Outputs (Op-Amps)	±130	mA
T _{oper}	Operating Free Air Temperature Range	-40 to +125	°C
T _{stg}	Storage Temperature	-65 to +125	°C

ABSOLUTE MAXIMUM RATINGS (COMPARATORS)

Symbol	Parameter	Value	Unit
V _{CC}	Supply Voltage - (note 1)	18	V
V _{id}	Differential Input Voltage - (note 2)	±18	V
V _i	Input Voltage - (note 4)	-0.3 to 18	V
V _O	Output Voltage	18	V
I _o	Output Current (Comparators)	20	mA
T _{oper}	Operating Free Air Temperature Range	-40 to +125	°C
T _{stg}	Storage Temperature	-65 to +125	°C

- Notes :**
1. All voltages values, except differential voltage are with respect to network ground terminal.
 2. Differential voltages are non-inverting input terminal with respect to the inverting input terminal.
 3. The magnitude of input and output voltages must never exceed (V_{CC}⁺) +0.3V.
 4. The magnitude of input and output voltages must never exceed the magnitude of the positive supply voltage.

OPERATING CONDITIONS

Symbol	Parameter	Value	Unit
V _{CC}	Supply Voltage	2.7 to 16	V
V _{icm}	Common Mode Input Voltage Range (Op-Amps)	V _{dd} -0.2 to V _{CC} +0.2	V
V _{icm}	Common Mode Input Voltage Range (Comparators)	0 to V _{CC} ⁺ -1.5	V

OPERATIONAL AMPLIFIERS

ELECTRICAL CHARACTERISTICS

$V_{CC}^+ = 5V$, $V_{CC}^- = 0V$, R_L, C_L connected to $V_{CC}/2$, $T_{amb} = 25^\circ C$ (unless otherwise specified)

Symbol	Parameter	Test Condition	Min.	Typ.	Max.	Unit
V_{io}	Input Offset Voltage	$T_{min.} \leq T_{amb} \leq T_{max.}$			10 12	mV
DV_{io}	Input Offset Voltage Drift			5		$\mu V/^\circ C$
I_{io}	Input Offset Current - (note 1)	$T_{min.} \leq T_{amb} \leq T_{max.}$		1	100 200	pA
I_{ib}	Input Bias Current - (note 1)	$T_{min.} \leq T_{amb} \leq T_{max.}$		1	150 300	pA
A_{vd}	Large Signal Voltage Gain	$R_L = 10k\Omega$, $V_O = 1.5V$ to $3.5V$ $T_{min.} \leq T_{amb} \leq T_{max.}$	10 7	50		V/mV
I_{CC}	Total Supply Current- (note 2)	No load		500	800	μA
CMR	Common Mode Rejection Ratio	$V_{ic} = 1.5$ to $3.5V$, $V_o = 2.5V$	60	85		dB
SVR	Supply Voltage Rejection Ratio	$V_{CC}^+ = 3V$ to $5V$, $V_o = V_{CC} / 2$	55	80		dB
V_{OH}	High Level Output Voltage R1 connected to $V_{CC}/2$	$R_L = 10k$ $R_L = 600\Omega$ $R_L = 100\Omega$	4.90 4.25	4.95 4.55 3.7		V
V_{OL}	Low Level Output Voltage R1 connected to $V_{CC}/2$	$R_L = 10k$ $R_L = 600\Omega$ $R_L = 100\Omega$		40 350 1400	100 500	mV
I_o	Output Short Circuit Current	$V_o = V_{CC}^-$	45	65		mA
I_{sink}	Output Sink Current	$V_o = V_{CC}^+$	45	65		mA
GBP	Gain Bandwidth Product	$A_{VCL} = 100$, $R_L = 10k$, $C_L = 100pF$, $f = 100kHz$		1		MHz
SR	Slew Rate	$A_{VCL} = 1$, $R_L = 10k$, $C_L = 100pF$, $V_i = 1V$ to $4V$		0.7		V/ μs
ϕ_m	Phase Margin			30		Degrees
e_n	Equivalent Input Noise Voltage	$R_s = 100\Omega$, $f = 1kHz$		30		$\frac{nV}{\sqrt{Hz}}$
C_s	Channel Separation	$f = 1kHz$		120		dB

Note 1 : Maximum values including unavoidable inaccuracies of the industrial test.

Note 2 : Op-amps and comparators

**OPERATIONAL AMPLIFIERS
ELECTRICAL CHARACTERISTICS**

$V_{CC}^+ = 3V, V_{CC}^- = 0V, R_L, C_L$ connected to $V_{CC}/2, T_{amb} = 25^\circ C$ (unless otherwise specified)

Symbol	Parameter	Test Condition	Min.	Typ.	Max.	Unit
V_{io}	Input Offset Voltage	$T_{min.} \leq T_{amb} \leq T_{max.}$			10 12	mV
DV_{io}	Input Offset Voltage Drift			5		$\mu V/^\circ C$
I_{io}	Input Offset Current - (note 1)	$T_{min.} \leq T_{amb} \leq T_{max.}$		1	100 200	pA
I_{ib}	Input Bias Current - (note 1)	$T_{min.} \leq T_{amb} \leq T_{max.}$		1	150 300	pA
A_{vd}	Large Signal Voltage Gain	$R_L = 10k\Omega, V_O = 1.5V$ to 3.5V $T_{min.} \leq T_{amb} \leq T_{max.}$	3 2	10		V/mV
I_{CC}	Total Supply Current- (note 2)	No load		415	600	μA
CMR	Common Mode Rejection Ratio	$V_{ic} = 0$ to 3V, $V_O = 1.5V$		70		dB
SVR	Supply Voltage Rejection Ratio	$V_{CC}^+ = 2.7V$ to 3.3V, $V_O = V_{CC} / 2$	50	80		dB
V_{OH}	High Level Output Voltage R1 connected to $V_{CC}/2$	$R_L = 10k$ $R_L = 600\Omega$ $R_L = 100\Omega$	2.90 2.30	2.96 2.60 2		V
V_{OL}	Low Level Output Voltage R1 connected to $V_{CC}/2$	$R_L = 10k$ $R_L = 600\Omega$ $R_L = 100\Omega$		30 300 900	70 400	mV
I_o	Output Short Circuit Current	$V_o = V_{CC}^-$	20	40		mA
I_{sink}	Output Sink Current	$V_o = V_{CC}^+$	20	40		mA
GBP	Gain Bandwidth Product	$A_{VCL} = 100, R_L = 10k,$ $C_L = 100pF, f = 100kHz$		0.8		MHz
SR	Slew Rate	$A_{VCL} = 1, R_L = 10k,$ $C_L = 100pF, V_i = 1.3V$ to 1.7V		0.3		V/ μs
ϕ_m	Phase Margin			30		Degrees
e_n	Equivalent Input Noise Voltage	$R_s = 100\Omega, f = 1kHz$		30		$\frac{nV}{\sqrt{Hz}}$
C_s	Channel Separation	$f = 1kHz$		120		dB

Note 1 : Maximum values including unavoidable inaccuracies of the industrial test.

Note 2 : Op-amps and comparators

MACROMODEL FOR OP-AMPS (V_{CC} = 3V)**Applies to : TSM221**

```

** Standard Linear Ics Macromodels, 1993.
** CONNECTIONS :
* 1 INVERTING INPUT
* 2 NON-INVERTING INPUT
* 3 OUTPUT
* 4 POSITIVE POWER SUPPLY
* 5 NEGATIVE POWER SUPPLY
.SUBCKT TSM2213V 1 3 2 4 5 (analog)
*****
.MODEL MDTH D IS=1E-8 KF=6.564344E-14 CJO=10F
* INPUT STAGE
CIP 2 5 1.000000E-12
CIN 1 5 1.000000E-12
EIP 10 5 2 5 1
EIN 16 5 1 5 1
RIP 10 11 6.500000E+00
RIN 15 16 6.500000E+00
RIS 11 15 1.271505E+01
DIP 11 12 MDTH 400E-12
DIN 15 14 MDTH 400E-12
VOFP 12 13 DC 0.000000E+00
VOFN 13 14 DC 0
IPOL 13 5 4.000000E-05
CPS 11 15 2.125860E-08
DINN 17 13 MDTH 400E-12
VIN 17 5 0.000000E+00
DINR 15 18 MDTH 400E-12
VIP 4 18 0.000000E+00
FCP 4 5 VOFP 5.000000E+00
FCN 5 4 VOFN 5.000000E+00
* AMPLIFYING STAGE
FIP 5 19 VOFP 2.750000E+02
FIN 5 19 VOFN 2.750000E+02
RG1 19 5 1.916825E+05
RG2 19 4 1.916825E+05
CC 19 29 2.200000E-08
HZTP 30 29 VOFP 1.3E+03
HZTN 5 30 VOFN 1.3E+03
DOPM 19 22 MDTH 400E-12
DONM 21 19 MDTH 400E-12
HOPM 22 28 VOUT 3800
VIPM 28 4 150
HONM 21 27 VOUT 3800
VINM 5 27 150
EOUT 26 23 19 5 1
VOUT 23 5 0
ROUT 26 3 75
COUT 3 5 1.000000E-12
DOP 19 68 MDTH 400E-12
VOP 4 25 1.724
HSCP 68 25 VSCP1 0.8E8
DON 69 19 MDTH 400E-12
VON 24 5 1.7419107
HSCN 24 69 VSCN1 0.8E+08
VSCTHP 60 61 0.0875
** VSCTHP = le seuil au dessus de vio * 500
** c.a.d 275U-000U dus a l'offset
DSCP1 61 63 MDTH 400E-12
VSCP1 63 64 0
ISCP 64 0 1.000000E-8
DSCP2 0 64 MDTH 400E-12
DSCN2 0 74 MDTH 400E-12
ISCN 74 0 1.000000E-8
VSCN1 73 74 0
DSCN1 71 73 MDTH 400E-12
VSCTHN 71 70 -0.55
** VSCTHN = le seuil au dessous de vio * 2000
** c.a.d -375U-000U dus a l'offset
ESCP 60 0 2 1 500
ESCN 70 0 2 1 -2000
.ENDS

```

ELECTRICAL CHARACTERISTICS V_{CC}⁺ = 3V, V_{CC}⁻ = 0V, R_L, C_L connected to V_{CC}/2, T_{amb} = 25°C, unless otherwise specified

Symbol	Conditions	Value	Unit
V _{io}		0	mV
A _{vd}	R _L = 10kΩ	10	V/mV
I _{CC}	No load	415	μA
V _{icm}		-0.2 to 3.2	V
V _{OH}	R _L = 10kΩ	2.96	V
V _{OL}	R _L = 10kΩ	30	mV
I _{sink}	V _O = 3V	40	mA
I _{source}	V _O = 0V	40	mA
GBP	R _L = 10kΩ, C _L = 100pF	0.8	MHz
SR	R _L = 10kΩ, C _L = 100pF	0.3	V/μs

TSM221

MACROMODEL FOR OP-AMPS (V_{CC} = 5V)

Applies to : TSM221

```

** Standard Linear lcs Macromodels, 1993.
** CONNECTIONS :
* 1 INVERTING INPUT
* 2 NON-INVERTING INPUT
* 3 OUTPUT
* 4 POSITIVE POWER SUPPLY
* 5 NEGATIVE POWER SUPPLY
* 6 STANDBY
.SUBCKT TSM2215V 1 3 2 4 5 (analog)
*****
.MODEL MDTH D IS=1E-8 KF=6.564344E-14 CJO=10F
* INPUT STAGE
CIP 2 5 1.000000E-12
CIN 1 5 1.000000E-12
EIP 10 5 2 5 1
EIN 16 5 1 5 1
RIP 10 11 6.500000E+00
RIN 15 16 6.500000E+00
RIS 11 15 7.322092E+00
DIP 11 12 MDTH 400E-12
DIN 15 14 MDTH 400E-12
VOFP 12 13 DC 0.000000E+00
VOFN 13 14 DC 0
IPOL 13 5 4.000000E-05
CPS 11 15 2.498970E-08
DINN 17 13 MDTH 400E-12
VIN 17 5 0.000000E+00
DINR 15 18 MDTH 400E-12
VIP 4 18 0.000000E+00
FCP 4 5 VOFP 5.750000E+00
FCN 5 4 VOFN 5.750000E+00
ISTB0 5 4 500N
* AMPLIFYING STAGE
FIP 5 19 VOFP 4.400000E+02
FIN 5 19 VOFN 4.400000E+02
RG1 19 5 4.904961E+05
RG2 19 4 4.904961E+05
CC 19 29 2.200000E-08
HZTP 30 29 VOFP 1.8E+03
HZTN 5 30 VOFN 1.8E+03
DOPM 19 22 MDTH 400E-12
DONM 21 19 MDTH 400E-12
HOPM 22 28 VOUT 3800
VIPM 28 4 230
HONM 21 27 VOUT 3800
VINM 5 27 230
EOUT 26 23 19 5 1
VOUT 23 5 0
ROUT 26 3 82
COUT 3 5 1.000000E-12
DOP 19 68 MDTH 400E-12
VOP 4 25 1.724
HSCP 68 25 VSCP1 0.8E+08
DON 69 19 MDTH 400E-12
VON 24 5 1.7419107
HSCN 24 69 VSCN1 0.8E+08
VSCTHP 60 61 0.0875
** VSCTHP = le seuil au dessus de vio * 500
** c.a.d 275U-000U dus a l'offset
DSCP1 61 63 MDTH 400E-12
VSCP1 63 64 0
ISCP 64 0 1.000000E-8
DSCP2 0 64 MDTH 400E-12
DSCN2 0 74 MDTH 400E-12
ISCN 74 0 1.000000E-8
VSCN1 73 74 0
DSCN1 71 73 MDTH 400E-12
VSCTHN 71 70 -0.55
** VSCTHN = le seuil au dessous de vio * 2000
** c.a.d -375U-000U dus a l'offset
ESCP 60 0 2 1 500
ESCN 70 0 2 1 -2000
.ENDS

```

ELECTRICAL CHARACTERISTICS V_{CC}⁺ = 5V, V_{CC}⁻ = 0V, R_L, C_L connected to V_{CC}/2, T_{amb} = 25°C, unless otherwise specified

Symbol	Conditions	Value	Unit
V _{io}		0	mV
A _{vd}	R _L = 10kΩ	50	V/mV
I _{CC}	No load	500	μA
V _{icm}		-0.2 to 5.2	V
V _{OH}	R _L = 10kΩ	4.95	V
V _{OL}	R _L = 10kΩ	40	mV
I _{sink}	V _O = 5V	65	mA
I _{source}	V _O = 0V	65	mA
GBP	R _L = 10kΩ, C _L = 100pF	1	MHz
SR	R _L = 10kΩ, C _L = 100pF	0.7	V/μs

COMPARATORS**ELECTRICAL CHARACTERISTICS**

$V_{CC}^+ = 5V$, $V_{CC}^- = 0V$, $T_{amb} = 25^\circ C$ (unless otherwise specified)

Symbol	Parameter	Test Condition	Min.	Typ.	Max.	Unit
V_{io}	Input Offset Voltage - (note 1) $T_{min.} \leq T_{amb} \leq T_{max.}$	$V_{ic} = V_{icm \text{ min.}}$ $V_{CC}^+ = 5V \text{ to } 10V$			5 6.5	mV
I_{io}	Input Offset Current - (note 2) $T_{min.} \leq T_{amb} \leq T_{max.}$			1	300	pA
I_{ib}	Input Bias Current - (note 2) $T_{min.} \leq T_{amb} \leq T_{max.}$			1	600	pA
V_{OH}	High Level Output Voltage $T_{min.} \leq T_{amb} \leq T_{max.}$	$V_{id} = 1V$, $I_{oh} = -4mA$	4.5 4.3	4.7		V
V_{OL}	Low Level Output Voltage $T_{min.} \leq T_{amb} \leq T_{max.}$	$V_{id} = -1V$, $I_{oh} = 4mA$		220	300 375	mV
V_{icm}	Input Common Mode Voltage $T_{min.} \leq T_{amb} \leq T_{max.}$		0 to $V_{CC}^+ - 1.2$ 0 to $V_{CC}^+ - 1.5$			
CMR	Common Mode Rejection Ratio	$V_{ic} = V_{icm \text{ min.}}$		82		dB
SVR	Supply Voltage Rejection Ratio	$V_{CC}^+ = 5V \text{ to } 10V$		90		dB
T_{plh}	Response Time Low to High Overdrive = 5mV Overdrive = 10mV Overdrive = 20mV Overdrive = 40mV TTL input	$V_{ic} = 0V$, $f = 10kHz$, $C_L = 50pF$	1.5 1.1 0.9 0.7 0.6			μs
T_{ph1}	Response Time High to Low Overdrive = 5mV Overdrive = 10mV Overdrive = 20mV Overdrive = 40mV TTL input	$V_{ic} = 0V$, $f = 10kHz$, $C_L = 50pF$	2.2 1.6 1.1 0.75 0.17			μs
T_f	Fall Time	$f = 10kHz$, $C_L = 50pF$, overdrive 50mV		30		ns
T_R	Rise Time	$f = 10kHz$, $C_L = 50pF$, overdrive 50mV		30		ns

Note 1 : The specified offset voltage is the maximum value required to drive the output up to 4.5V or down to 0.3V.

Note 2 : Maximum values including unavoidable inaccuracies of the industrial test.

COMPARATORS**ELECTRICAL CHARACTERISTICS**

$V_{CC}^+ = 3V, V_{CC}^- = 0V, T_{amb} = 25^\circ C$ (unless otherwise specified)

Symbol	Parameter	Test Condition	Min.	Typ.	Max.	Unit
V_{io}	Input Offset Voltage - (note 1) $T_{min.} \leq T_{amb} \leq T_{max.}$	$V_{ic} = 1.5V$			5 6.5	mV
I_{io}	Input Offset Current - (note 2) $T_{min.} \leq T_{amb} \leq T_{max.}$			1	300	pA
I_{ib}	Input Bias Current - (note 2) $T_{min.} \leq T_{amb} \leq T_{max.}$			1	600	pA
V_{OH}	High Level Output Voltage $T_{min.} \leq T_{amb} \leq T_{max.}$	$V_{id} = 1V,$ $I_{oh} = -4mA$	2 1.8	2.4		V
V_{OL}	Low Level Output Voltage $T_{min.} \leq T_{amb} \leq T_{max.}$	$V_{id} = -1V,$ $I_{oh} = 4mA$		300	400 450	mV
V_{icm}	Input Common Mode Voltage $T_{min.} \leq T_{amb} \leq T_{max.}$		0 to $V_{CC}^+ - 1.2$ 0 to $V_{CC}^+ - 1.5$			
CMR	Common Mode Rejection Ratio	$V_{ic} = V_{icm min.}$		80		dB
SVR	Supply Voltage Rejection Ratio	$V_{CC}^+ = 5V$ to 10V		75		dB
T_{plh}	Response Time Low to High Overdrive = 5mV TTL input	$V_{ic} = 0V, f = 10kHz,$ $C_L = 50pF$	1.5 0.7			μs
T_{phl}	Response Time High to Low Overdrive = 5mV TTL input	$V_{ic} = 0V, f = 10kHz,$ $C_L = 50pF$	2.2 0.15			μs
T_f	Fall Time	$f = 10kHz, C_L = 50pF,$ overdrive 50mV		30		ns
T_R	Rise Time	$f = 10kHz, C_L = 50pF,$ overdrive 50mV		30		ns

Note 1 : The specified offset voltage is the maximum value required to drive the output up to 4.5V or down to 0.3V.

Note 2 : Maximum values including unavoidable inaccuracies of the industrial test.

MACROMODEL FOR COMPARTORS (V_{CC} = 3V)**Applies to : TSM221**

```

** Standard Linear Ics Macromodels, 1993.
** CONNECTIONS :
* 1 INVERTING INPUT
* 2 NON-INVERTING INPUT
* 3 OUTPUT
* 4 POSITIVE POWER SUPPLY
* 5 NEGATIVE POWER SUPPLY
.SUBCKT TSM221C 1 3 2 4 5
*****
***** RVAR *****
.SUBCKT RVAR 20 10 IN OUT
VSENS0 IN 1 0V
R0 1 OUT 125
F0 1 OUT POLY(2) VSENS0 VSENS2 0 0 0 1E+08
VSENS2 20 3 0V
R2 3 10 1E+09
.ENDS RVAR
***** COMPARATOR *****
.MODEL MDTH D IS=1E-11 KF=1.050321E-32
CJO=10F
* INPUT STAGE
CIP 2 5 1.000000E-12
CIN 1 5 1.000000E-12
EIP 10 0 2 0 1
EIN 16 0 1 0 1
RIP 10 11 6.500000E+01
RIN 15 16 6.500000E+01
RIS 11 15 1.939046E+02
DIP 11 12 MDTH 400E-12
DIN 15 14 MDTH 400E-12
VOFP 12 13 DC 0.000000E+00
VOFN 13 14 DC 0
IPOL 13 0 100E-06
CPS 11 15 8.16E-09
DINN 17 13 MDTH 400E-12
VIN 17 5 0.000000E+00
DINR 15 18 MDTH 400E-12
VIP 4 18 1.200000E+00
FCP 4 5 VOFP 0.02
FCN 5 4 VOFN 0.02
FIBP 2 0 VOFN 2.000000E-08
FIBN 0 1 VOFP 2.000000E-08
* AMPLIFYING STAGE
RG1 5 19 2.8E+05
RG2 4 19 2.8E+05
DOPM 19 22 MDTH 400E-12
DONM 21 19 MDTH 400E-12
HOPM 22 28 VOUT 3000
VIPM0 28 40 -87
EIPM 40 4 4 5 42
**VIPM 28 4 150
HONM 21 27 VOUT 3000
VINM0 50 27 -114
EINM 5 50 4 5 54
**VINM 5 27 150
DOP 19 25 MDTH 400E-12
VOP 4 25 1.097
DON 24 19 MDTH 400E-12
VON 24 5 1.097
FIP 0 19 VOFP 104
FIN 0 19 VOFN 104
EOUT 26 23 19 5 1
VOUT 23 5 0V
XOUT 4 5 26 3 RVAR
*ROUT 26 3 62.5
.ENDS

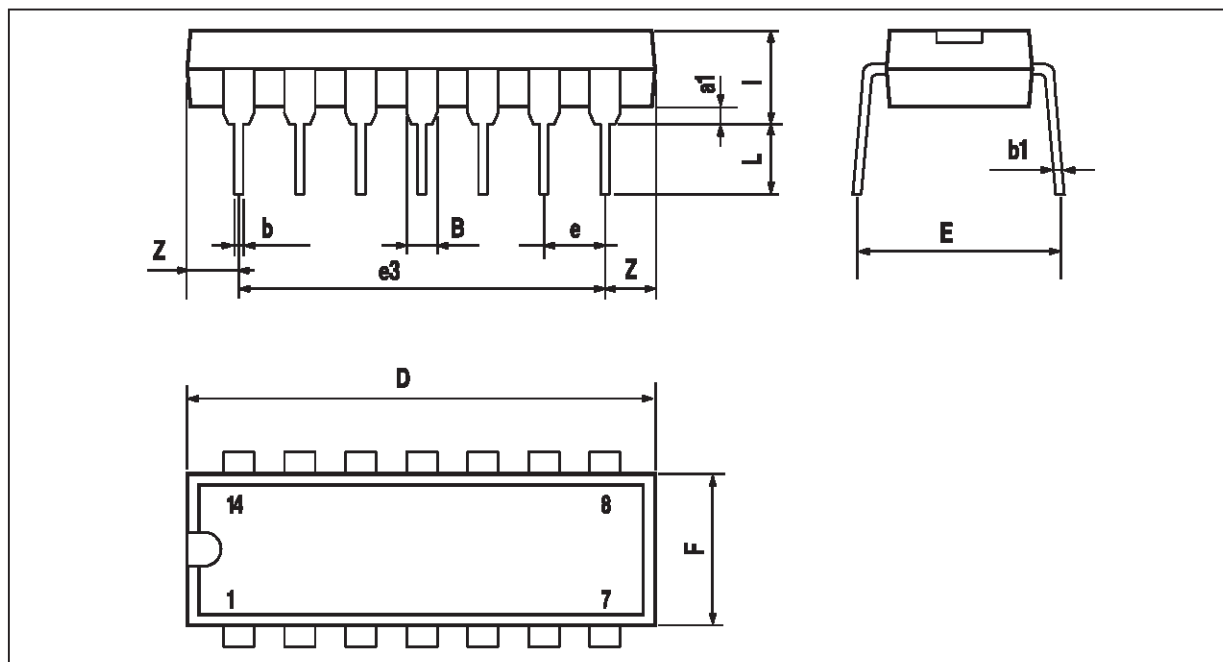
```

ELECTRICAL CHARACTERISTICS V_{CC}⁺ = 3V, V_{CC}⁻ = 0V, T_{amb} = 25°C, unless otherwise specified

Symbol	Conditions	Value	Unit
V _{io}	V _{ic} = 1.5V	0	mV
I _{CC}	No load, per operator	7	μA
V _{icm}		0 to 1.8V	V
V _{OH}	V _{id} = 1V, I _{OH} = -4mA	2.4	V
V _{OL}	V _{id} = 1V, I _{OH} = -4mA	300	mV
t _{PLH}	Overdrive = 5mV	1.5	μs
t _{PHL}	Overdrive = 5mV	2.2	μs

PACKAGE MECHANICAL DATA

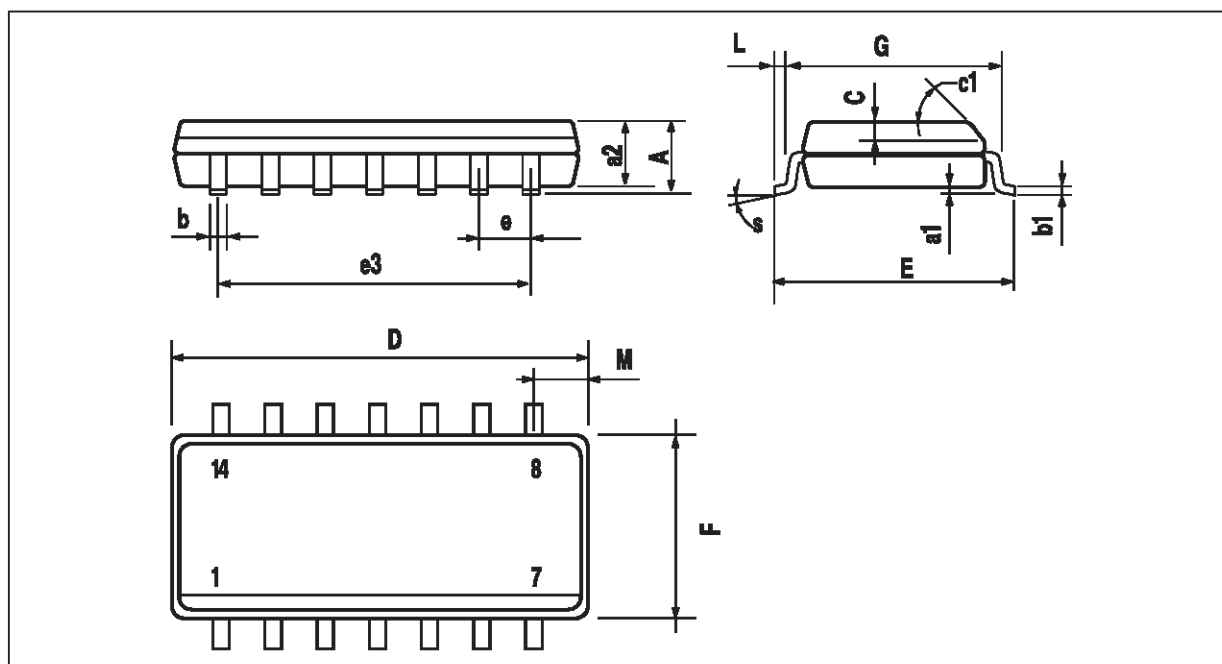
14 PINS - PLASTIC DIP



Dim.	Millimeters			Inches		
	Min.	Typ.	Max.	Min.	Typ.	Max.
a1	0.51			0.020		
B	1.39		1.65	0.055		0.065
b		0.5			0.020	
b1		0.25			0.010	
D			20			0.787
E		8.5			0.335	
e		2.54			0.100	
e3		15.24			0.600	
F			7.1			0.280
i			5.1			0.201
L		3.3			0.130	
Z	1.27		2.54	0.050		0.100

PACKAGE MECHANICAL DATA

14 PINS - PLASTIC MICROPACKAGE (SO)



Dim.	Millimeters			Inches		
	Min.	Typ.	Max.	Min.	Typ.	Max.
A			1.75			0.069
a1	0.1		0.2	0.004		0.008
a2			1.6			0.063
b	0.35		0.46	0.014		0.018
b1	0.19		0.25	0.007		0.010
C		0.5			0.020	
c1	45° (typ.)					
D	8.55		8.75	0.336		0.334
E	5.8		6.2	0.228		0.244
e		1.27			0.050	
e3		7.62			0.300	
F	3.8		4.0	0.150		0.157
G	4.6		5.3	0.181		0.208
L	0.5		1.27	0.020		0.050
M			0.68			0.027
S	8° (max.)					

Information furnished is believed to be accurate and reliable. However, SGS-THOMSON Microelectronics assumes no responsibility for the consequences of use of such information nor for any infringement of patents or other rights of third parties which may result from its use. No license is granted by implication or otherwise under any patent or patent rights of SGS-THOMSON Microelectronics. Specification mentioned in this publication are subject to change without notice. This publication supersedes and replaces all information previously supplied. SGS-THOMSON Microelectronics products are not authorized for use as critical components in life support devices or systems without express written approval of SGS-THOMSON Microelectronics.

© 1997 SGS-THOMSON Microelectronics – Printed in Italy – All Rights Reserved

SGS-THOMSON Microelectronics GROUP OF COMPANIES
 Australia - Brazil - Canada - China - France - Germany - Italy - Japan - Korea - Malaysia - Malta - Morocco
 The Netherlands - Singapore - Spain - Sweden - Switzerland - Taiwan - Thailand - United Kingdom - U.S.A.

ORDER CODE: