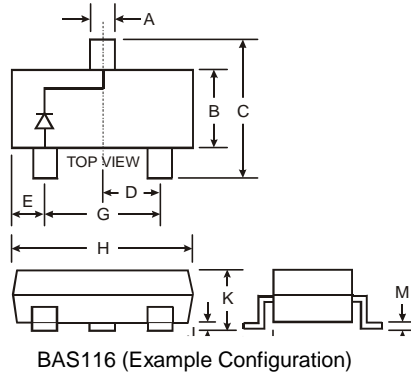
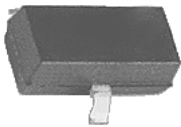


## Introducing Very Low Leakage SOT-23 Diodes: BAS116, BAV170, BAV199, BAW156!



SOT-23		
Dim	Min	Max
A	0.37	0.51
B	1.19	1.40
C	2.10	2.50
D	0.89	1.05
E	0.45	0.61
G	1.78	2.05
H	2.65	3.05
J	0.013	0.15
K	0.89	1.10
L	0.45	0.61
M	0.076	0.178
All Dimensions in mm		

### Key Features

1. Low leakage equivalents of BAS16, BAV70, BAV99, BAW56
2.  $I_{rm} = 5.0 \text{ nA max. @ } 75 \text{ Volt } V_r, 25^\circ\text{C.}$
3. 85 Volt  $V_{rrm}$ .
4. Popular configurations
  - o Single diode (BAS116)
  - o Dual, common cathode (BAV170)
  - o Dual, series or doubler configuration (BAV199)
  - o Dual, common anode (BAW156)

### Benefits

1. Very low reverse leakage.
2. High forward current of 140 mA.
3. Popular SOT-23 surface mount package.

### Availability

- Samples *Now Available*
- Production Quantities stock to 6 weeks
- Data Sheets available NOW at: [www.diodes.com](http://www.diodes.com).

To download selected data sheets, online viewers may click links below:

- BAS116 <http://www.diodes.com/datasheets/ds30233.pdf>
- BAV170 <http://www.diodes.com/datasheets/ds30234.pdf>
- BAV199 <http://www.diodes.com/datasheets/ds30232.pdf>
- BAW156 <http://www.diodes.com/datasheets/ds30231.pdf>

## Applications

1. Data line termination and protection.
2. Signal processing.
3. Analog signal conditioning.
4. Signal “OR-ing”.
5. Anything low power, battery operated.

## End Equipment Applications

- ❑ Laptops
- ❑ Hand held computers, PDA
- ❑ Mobile Phones
- ❑ PCMCIA cards
- ❑ Pagers, PCS

## Crosses to Other Manufacturers' Parts

- ❑ Close cross (Industry-standard part numbers). Major competition:
  - Philips
  - Infineon
  - Siemens
  - On Semiconductor

## Customer Benefits

Adds low leakage types of devices to our diode product offerings, to provide our customers the convenience of a one-stop-shop.