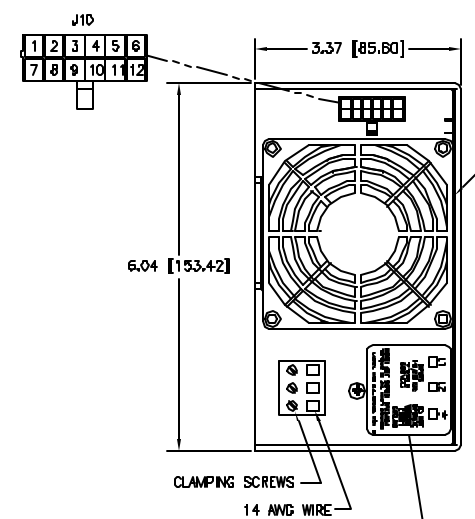


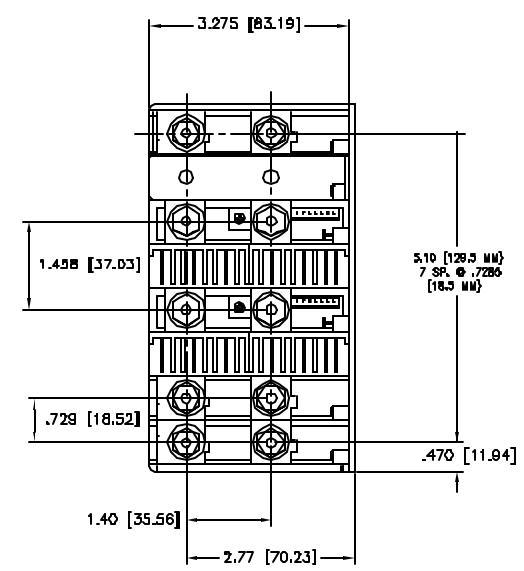
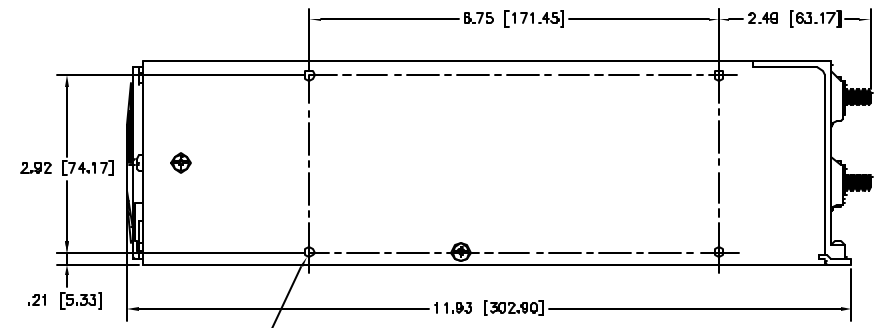
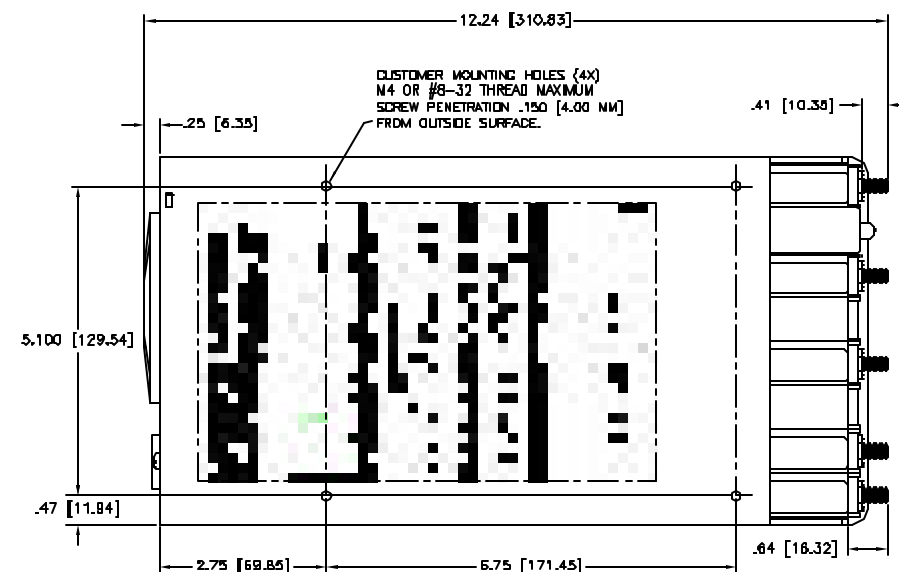
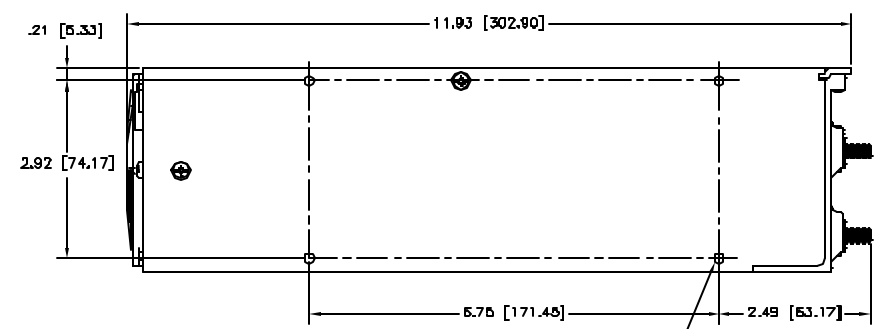
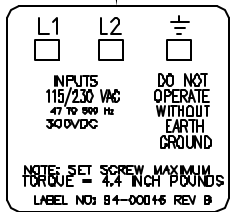
PROPRIETARY DATA:
 This document and information contained
 may not be reproduced, used or disclosed
 without prior written permission of WESTCOR
 a division of VICOR Corporation.

REVISIONS				
ECO	REV	DESCRIPTION	DATE	APPROVED
929	A	PRODUCTION RELEASE	08-28-99	RED
---	A1	ADD (BLACK) TO TITLE	10/05/00	LGK
1137	B	ADD REFERENCE TO VICOR WEB PAGE	3/21/02	RME

- J10 INTERFACE**
- | | |
|--------|---------------|
| J10-1 | E/D-1 |
| J10-2 | E/D-2 |
| J10-3 | E/D-3 |
| J10-4 | E/D-4 |
| J10-5 | E/D-5 |
| J10-6 | E/D-6 |
| J10-7 | E/D-7 |
| J10-8 | E/D-8 |
| J10-9 | Vcc +0V, D.3A |
| J10-10 | SIGNAL GROUND |
| J10-11 | AC POWER OK |
| J10-12 | GEN SHUTDOWN |
- MATING HOWR:**
 HOUSING-MOLEX P/N: 39-01-2120
 TERMINALS-MOLEX P/N: 39-00-0039
 CRIMP TOOL-MOLEX P/N: 11-01-0122



- INPUT CONNECTIONS**
- | | |
|------|--------------|
| J8-1 | EARTH GROUND |
| J8-2 | L2-NEUTRAL |
| J8-3 | L1 |



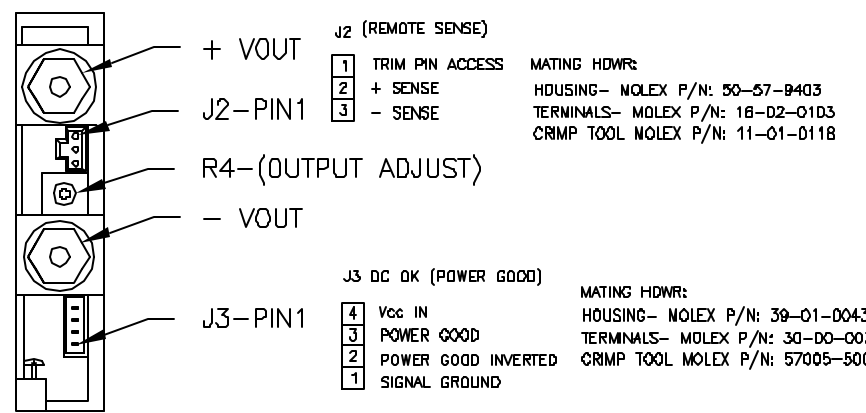
NOTE: A DETAILED DESIGN GUIDE IS AVAILABLE @ www.vicorpower.com

NOTES: UNLESS OTHERWISE SPECIFIED

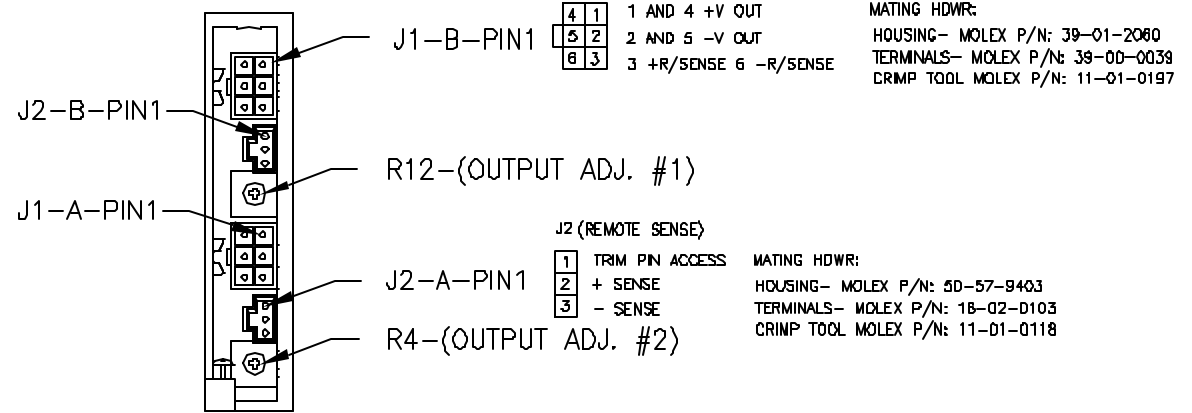
UNLESS OTHERWISE SPECIFIED DIMENSIONS ARE IN INCHES TOLERANCES ARE:		THIRD ANGLE PROJECTION		WESTCOR a division of VICOR Corp.	
FRACTIONS ± 1/32	DECIMALS .001 ± .01	ANGLES ± 1/2°	APPROVALS	DATE	OUTLINE DRAWING PFC MEGAPAC HIGH POWER (2.4KW) SIZE: D CAGE CODE: DESV2 DWG NO: 08-130097 SCALE: NTS FILENAME: 08-130097 SHEET: 1 OF 2
MATERIAL: SEE BOM	FINISH: ---	APPROVED: LARRY KING	DATE: 10/13/99	REV: B	
--- SEE MIS	USED ON: ---	CHECKED: HUY DDAN	DATE: 10/13/99	REV: B	
NEXT ASSY: ---	APPLICATION: DO NOT SCALE DRAWING	APPROVED: P.B. DRABING	DATE: 10/13/99	REV: B	

REVISIONS				
ECO	REV	DESCRIPTION	DATE	APPROVED
---	--	SEE SHEET 1	---	---

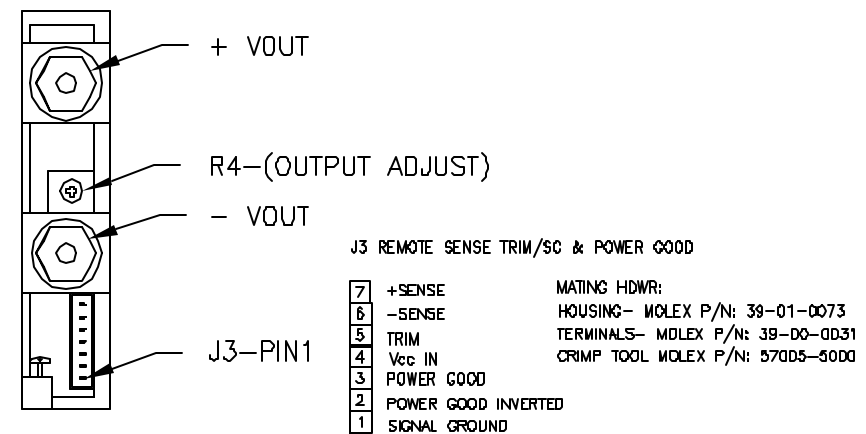
MODUPAC/JR.PAC/RAMPAC



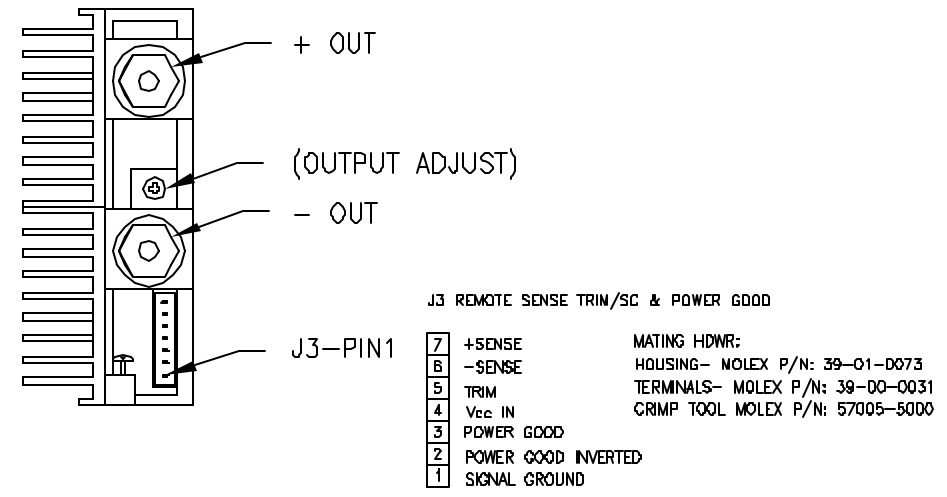
DUALPAC



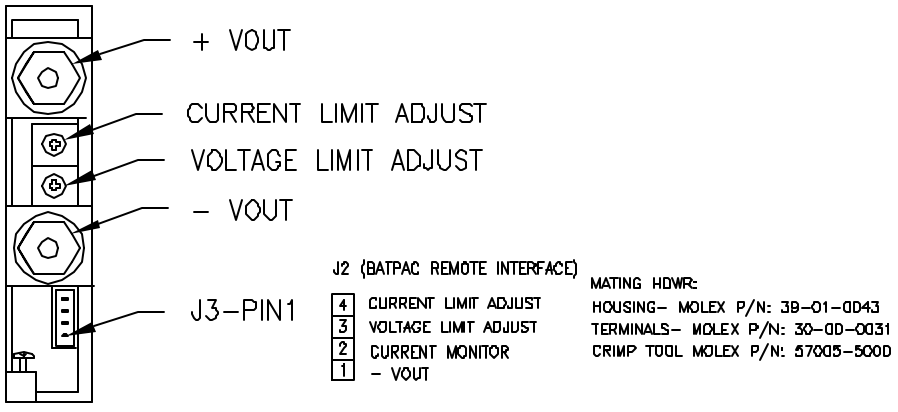
UNIPAC



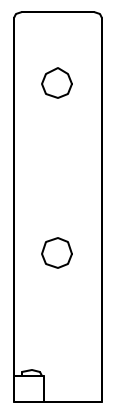
FINPAC



BATPAC



AIR BLOCK



WESTCOR a division of VICOR Corp.	OUTLINE DWG PFC MEGAPAC HIGH POWER (2.4KW)		
	PROPRIETARY DATA: This document and information contained may not be reproduced, used or disclosed without prior written permission of WESTCOR a division of VICOR Corporation.	SIZE: D CAGE CODE: ---	DWG NO.: 08-130097
FILENAME: 08-130097		SHEET 2 OF 2	