

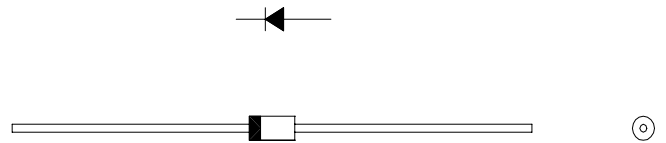
# DIODE Type : 10DDA10

1A 100V Tj =150 °C

OUTLINE DRAWING

## FEATURES

- \* Miniature Size
- \* Low Forward Voltage drop
- \* Low Reverse Leakage Current
- \* High Surge Capability
- \* 52mm Inside Tape Spacing Package Available



## Maximum Ratings

Approx Net Weight:0.32g

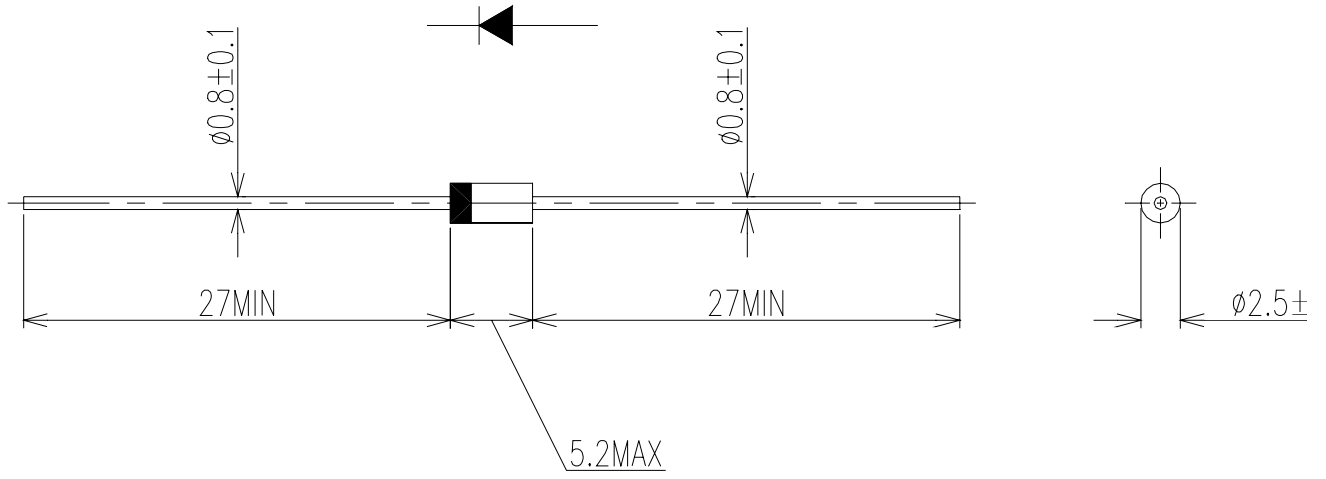
Rating	Symbol	10DDA10		Unit
Repetitive Peak Reverse Voltage	$V_{RRM}$	100		V
Average Rectified Output Current	$I_O$	50Hz Half Sine Wave Resistive Load	$T_a=58^{\circ}C$ *1 $T_l=132^{\circ}C$ ( $T_l$ =Lead Temperature)	1.0 A
RMS Forward Current	$I_{F(RMS)}$			1.57 A
Surge Forward Current	$I_{FSM}$	50Hz Half Sine Wave,1cycle, Non-repetitive		45 A
Operating Junction Temperature Range	$T_{jw}$	- 40 to + 150		°C
Storage Temperature Range	$T_{stg}$	- 40 to + 150		°C

## Electrical • Thermal Characteristics

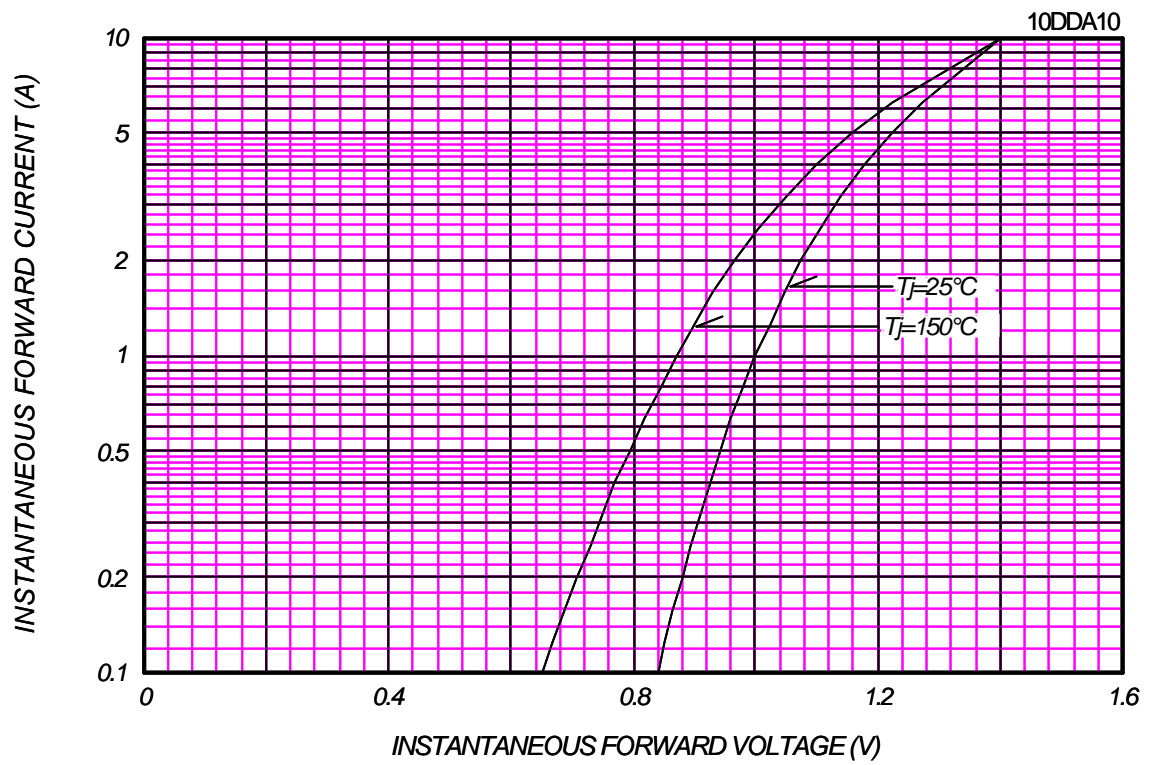
Characteristics	Symbol	Conditions	Min.	Typ.	Max.	Unit
Peak Reverse Current	$I_{RM}$	$T_j= 25^{\circ}C, V_{RM}= V_{RRM}$	-	-	10	$\mu A$
Peak Forward Voltage	$V_{FM}$	$T_j= 25^{\circ}C, I_{FM}= 1.0A$	-	-	1.0	V
Thermal Resistance	$R_{th(j-a)}$	Junction to Ambient *1	-	-	91	°C/W
	$R_{th(j-l)}$	Junction to Lead			17	

\*1: Without Fin or P.C. Board mounted

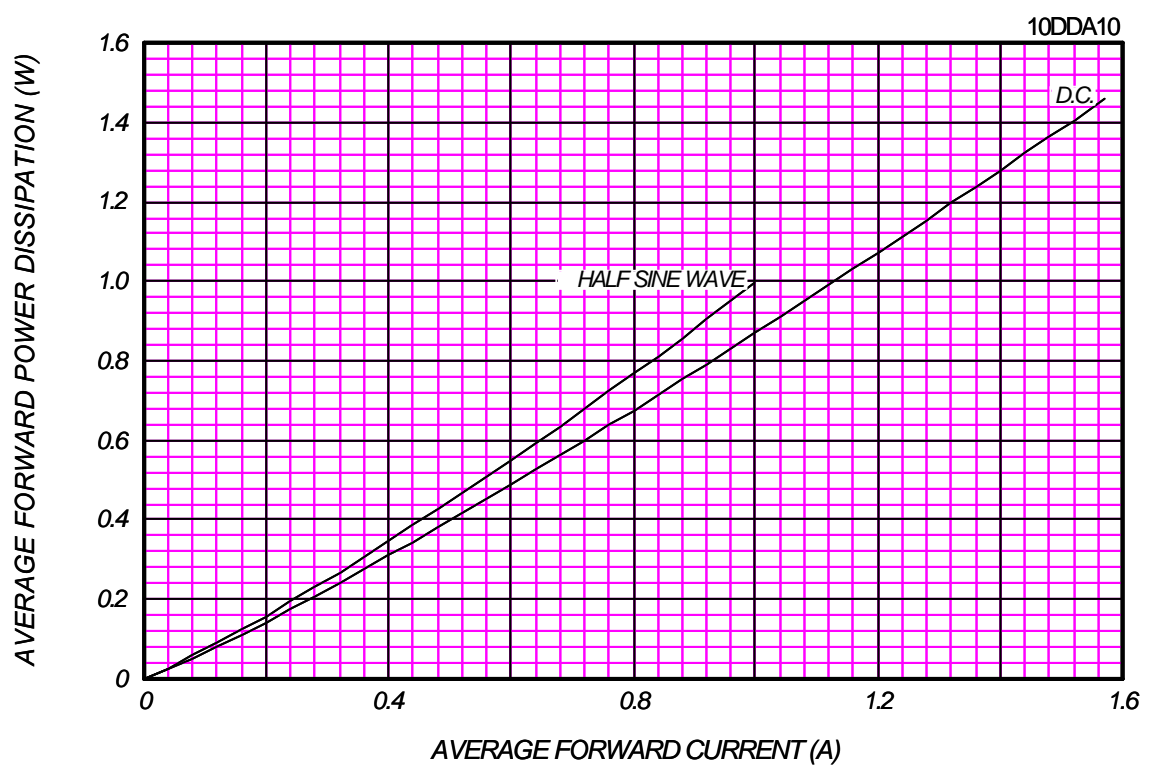
10DDA10 OUTLINE DRAWING (Dimensions in mm)



### FORWARD CURRENT VS. VOLTAGE



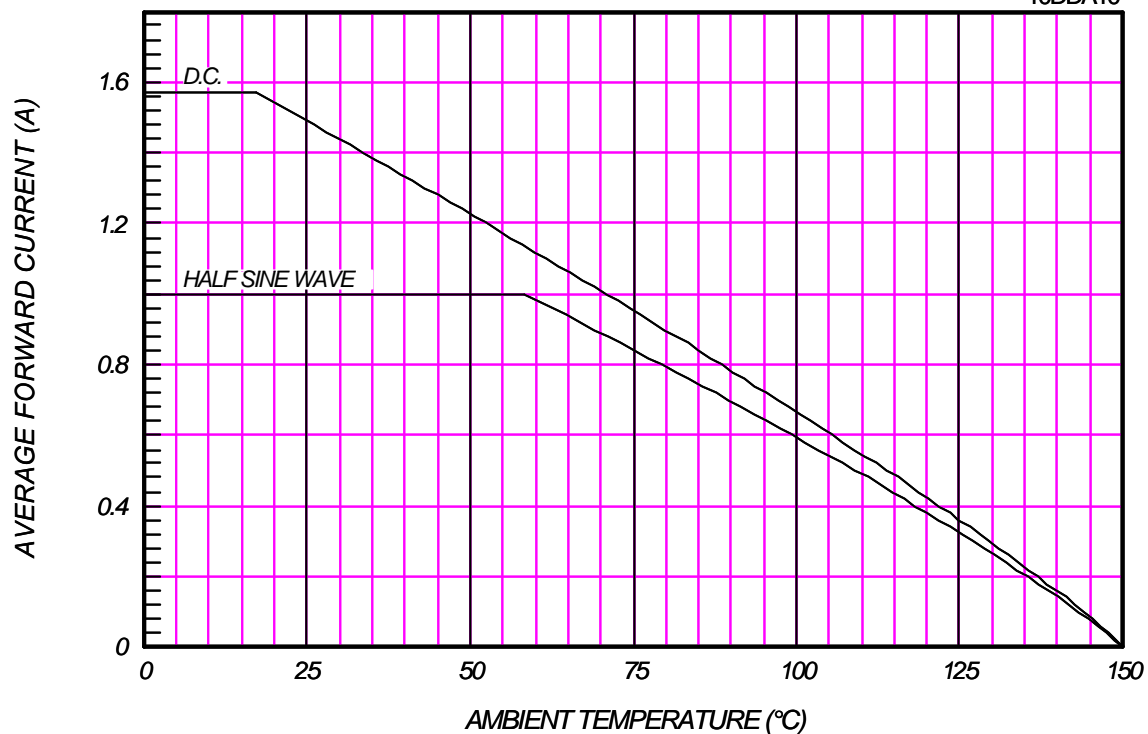
### AVERAGE FORWARD POWER DISSIPATION



### AVERAGE FORWARD CURRENT VS. AMBIENT TEMPERATURE

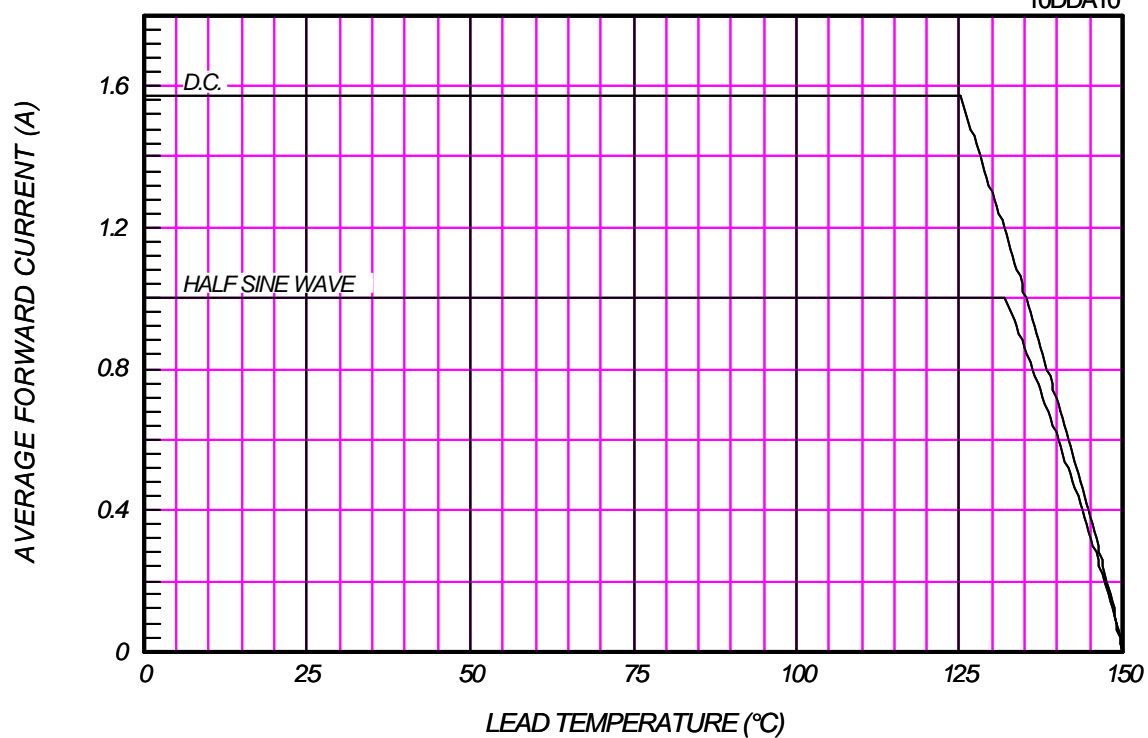
AMBIENT Without Fin or P.C. Board

10DDA10



### AVERAGE FORWARD CURRENT VS. LEAD TEMPERATURE

10DDA10



# SURGE CURRENT RATINGS

f=50Hz, Half Sine Wave, Non-Repetitive, No Load

10DDA10

