

DM74LS259

8-Bit Addressable Latches

General Description

These 8-bit addressable latches are designed for general purpose storage applications in digital systems. Specific uses include working registers, serial-holding registers, and active-high decoders or demultiplexers. They are multifunctional devices capable of storing single-line data in eight addressable latches, and being a 1-of-8 decoder or demultiplexer with active-high outputs.

Four distinct modes of operation are selectable by controlling the clear and enable inputs as enumerated in the function table. In the addressable-latch mode, data at the data-in terminal is written into the addressed latch. The addressed latch will follow the data input with all unaddressed latches remaining in their previous states. In the memory mode, all latches remain in their previous states and are unaffected by the data or address inputs. To eliminate the possibility of entering erroneous data in the latches, the enable should be held HIGH (inactive) while the address lines are changing. In the 1-of-8 decoding or demultiplexing mode, the addressed output will follow the level of the D input with all other outputs LOW. In the clear mode, all outputs are LOW and unaffected by the address and data inputs.

Features

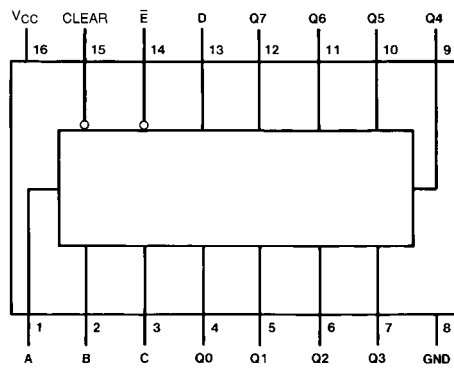
- 8-Bit parallel-out storage register performs serial-to-parallel conversion with storage
- Asynchronous parallel clear
- Active high decoder
- Enable/disable input simplifies expansion
- Direct replacement for Fairchild DM9334
- Expandable for N-bit applications
- Four distinct functional modes
- Typical propagation delay times:
 - Enable-to-output 18 ns
 - Data-to-output 16 ns
 - Address-to-output 21 ns
 - Clear-to-output 17 ns
- Fan-out
 - I_{OL} (sink current) 8 mA
 - I_{OH} (source current) -0.4 mA
- Typical I_{CC} 22 mA

Ordering Code:

Order Number	Package Number	Package Description
DM74LS259M	M16A	16-Lead Small Outline Integrated Circuit (SOIC), JEDEC MS-012, 0.150 Narrow
DM74LS259WM	M16B	16-Lead Small Outline Intergrated Circuit (SOIC), JEDEC MS-013, 0.300 Wide
DM74LS259N	N16E	16-Lead Plastic Dual-In-Line Package (PDIP), JEDEC MS-001, 0.300 Wide

Devices also available in Tape and Reel. Specify by appending the suffix letter "X" to the ordering code.

Connection Diagram



Function Table

Inputs		Output of Addressed Latch	Each Other Output	Function
Clear	\bar{E}			
H	L	D	Q _{i0}	Addressable Latch
H	H	Q _{i0}	Q _{i0}	Memory
L	L	D	L	8-Line Demultiplexer
L	H	L	L	Clear

Latch Selection Table

Select Inputs			Latch Addressed
C	B	A	
L	L	L	0
L	L	H	1
L	H	L	2
L	H	H	3
H	L	L	4
H	L	H	5
H	H	L	6
H	H	H	7

H = HIGH Level
 L = LOW Level
 D = the Level of the Data Input
 Q_{i0} = the Level of Q_i (i = 0, 1, ..., 7, as Appropriate) before the Indicated Steady-State Input Conditions Were Established.

Absolute Maximum Ratings(Note 1)

Supply Voltage	7V
Input Voltage	7V
Operating Free Air Temperature Range	0°C to +70°C
Storage Temperature Range	-65°C to +150°C

Note 1: The "Absolute Maximum Ratings" are those values beyond which the safety of the device cannot be guaranteed. The device should not be operated at these limits. The parametric values defined in the "Electrical Characteristics" table are not guaranteed at the absolute maximum ratings. The "Recommended Operating Conditions" table will define the conditions for actual device operation.

Recommended Operating Conditions

Symbol	Parameter	Min	Nom	Max	Units
V _{CC}	Supply Voltage	4.75	5	5.25	V
V _{IH}	HIGH Level Input Voltage	2			V
V _{IL}	LOW Level Input Voltage			0.8	V
I _{OH}	HIGH Level Output Current			-0.4	mA
I _{OL}	LOW Level Output Current			8	mA
t _W	Pulse Width (Note 5)	Enable	15		ns
		Clear	15		
t _{SU}	Setup Time (Note 2)(Note 3)(Note 4)(Note 5)	Data	15 [↑]		ns
		Select	15 [↓]		
t _H	Hold Time (Note 2)(Note 3)(Note 5)	Data	2.5 [↑]		ns
		Select	2.5 [↑]		
T _A	Free Air Operating Temperature	0		70	°C

Note 2: The symbols (↓, ↑) indicate the edge of the clock pulse used for reference: ↑ for rising edge, ↓ for falling edge.

Note 3: Setup and hold times are with reference to the enable input.

Note 4: The select-to-enable setup time is the time before the HIGH-to-LOW enable transition that the select must be stable so that the correct latch is selected and the others not affected.

Note 5: T_A = 25°C and V_{CC} = 5V.

Electrical Characteristics

over recommended operating free air temperature range (unless otherwise noted)

Symbol	Parameter	Conditions	Min	Typ (Note 6)	Max	Units
V _I	Input Clamp Voltage	V _{CC} = Min, I _I = -18 mA			-1.5	V
V _{OH}	HIGH Level Output Voltage	V _{CC} = Min, I _{OH} = Max V _{IL} = Max, V _{IH} = Min	2.7	3.4		V
V _{OL}	LOW Level Output Voltage	V _{CC} = Min, I _{OL} = Max V _{IL} = Max, V _{IH} = Min		0.35	0.5	V
		I _{OL} = 4 mA, V _{CC} = Min		0.25	0.4	
I _I	Input Current @ Max Input Voltage	V _{CC} = Max, V _I = 7V V _I = 10V			0.1	mA
I _{IH}	HIGH Level Input Current	V _{CC} = Max, V _I = 2.7V			20	μA
I _{IL}	LOW Level Input Current	V _{CC} = Max, V _I = 0.4V			-0.4	mA
	Enable	V _{CC} = Max, V _I = 0.4V			-0.8	
I _{OS}	Short Circuit Output Current	V _{CC} = Max (Note 7)	-20		-100	mA
I _{CC}	Supply Current	V _{CC} = Max (Note 8)		22	36	mA

Note 6: All typicals are at V_{CC} = 5V, T_A = 25°C.

Note 7: Not more than one output should be shorted at a time, and the duration should not exceed one second.

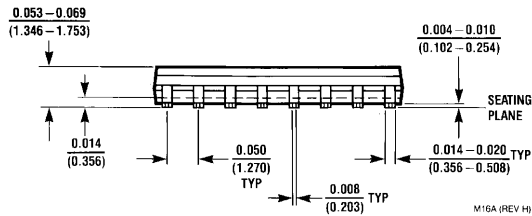
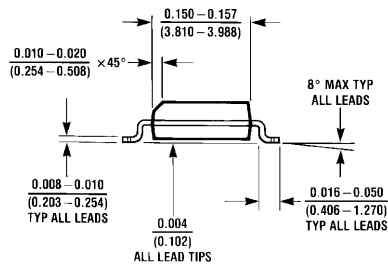
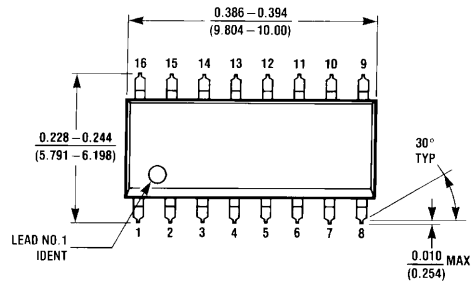
Note 8: I_{CC} is measured with all inputs at 4.5V, and all outputs OPEN.

Switching Characteristics

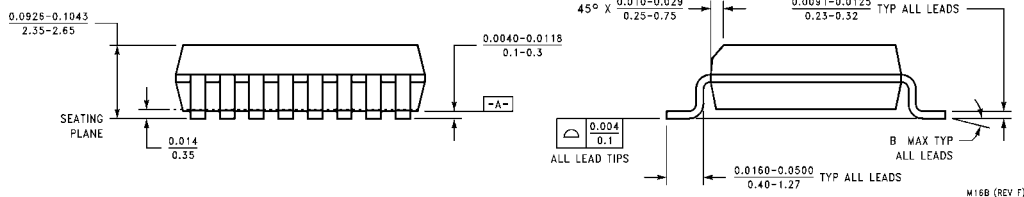
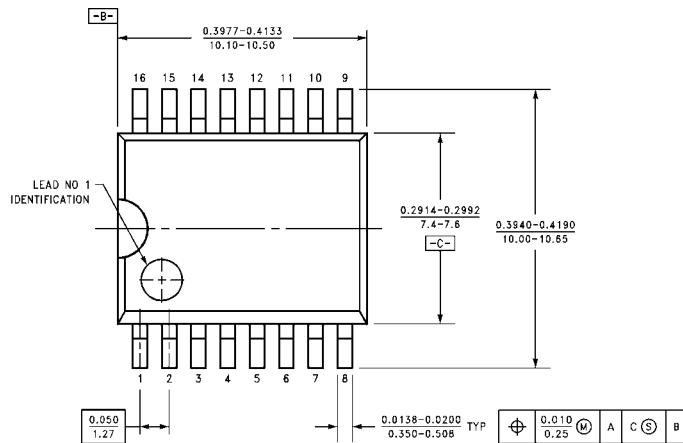
at $V_{CC} = 5V$ and $T_A = 25^\circ C$

Symbol	Parameter	From (Input) To (Output)	$C_L = 50 \text{ pF}$ $R_L = 2 \text{ k}\Omega$		Units
			Min	Max	
t_{PLH}	Propagation Delay Time LOW-to-HIGH Level Output	Enable to Output		38	ns
t_{PHL}	Propagation Delay Time HIGH-to-LOW Level Output	Enable to Output		32	ns
t_{PLH}	Propagation Delay Time LOW-to-HIGH Level Output	Data to Output		35	ns
t_{PHL}	Propagation Delay Time HIGH-to-LOW Level Output	Data to Output		30	ns
t_{PLH}	Propagation Delay Time LOW-to-HIGH Level Output	Select to Output		41	ns
t_{PHL}	Propagation Delay Time HIGH-to-LOW Level Output	Select to Output		38	ns
t_{PHL}	Propagation Delay Time HIGH-to-LOW Level Output	Clear to Output		36	ns

Physical Dimensions inches (millimeters) unless otherwise noted

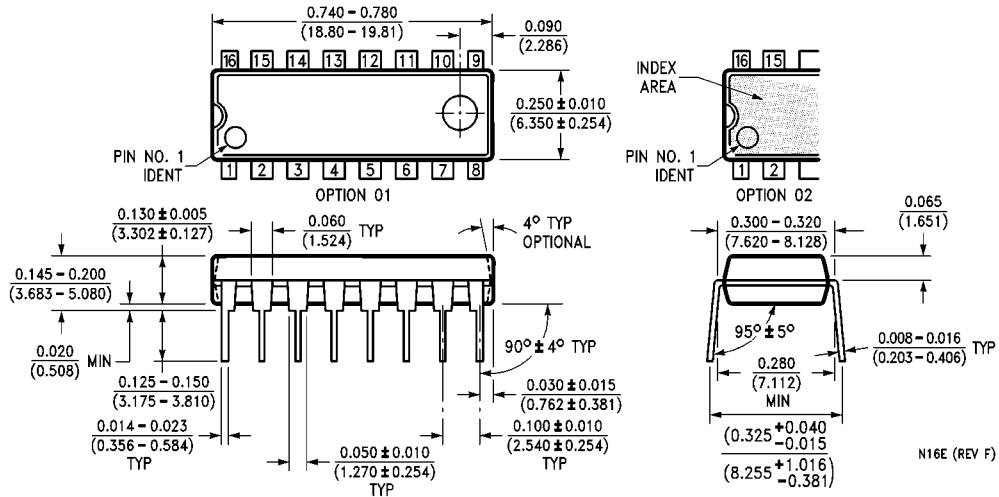


16-Lead Small Outline Integrated Circuit (SOIC), JEDEC MS-012, 0.150 Narrow Package Number M16A



16-Lead Small Outline Intergrated Circuit (SOIC), JEDEC MS-013, 0.300 Wide Package Number M16B

Physical Dimensions inches (millimeters) unless otherwise noted (Continued)



16-Lead Plastic Dual-In-Line Package (PDIP), JEDEC MS-001, 0.300 Wide Package Number N16E

Fairchild does not assume any responsibility for use of any circuitry described, no circuit patent licenses are implied and Fairchild reserves the right at any time without notice to change said circuitry and specifications.

LIFE SUPPORT POLICY

FAIRCHILD'S PRODUCTS ARE NOT AUTHORIZED FOR USE AS CRITICAL COMPONENTS IN LIFE SUPPORT DEVICES OR SYSTEMS WITHOUT THE EXPRESS WRITTEN APPROVAL OF THE PRESIDENT OF FAIRCHILD SEMICONDUCTOR CORPORATION. As used herein:

1. Life support devices or systems are devices or systems which, (a) are intended for surgical implant into the body, or (b) support or sustain life, and (c) whose failure to perform when properly used in accordance with instructions for use provided in the labeling, can be reasonably expected to result in a significant injury to the user.
2. A critical component in any component of a life support device or system whose failure to perform can be reasonably expected to cause the failure of the life support device or system, or to affect its safety or effectiveness.

www.fairchildsemi.com