

RECTIFIERS

Military Approved, Fast Recovery, 3 Amp

1N5415-1N5420
JAN, JANTX & JANTXV

FEATURES

- Qualified to MIL-S-19500/411
- PIV: to 600V
- Controlled Avalanche

DESCRIPTION

This series of devices as designed to meet the need for high speed, power rectifiers in military high rel power supplies.

ABSOLUTE MAXIMUM RATINGS

Peak Inverse Voltage	Type
50V	JAN, JANTX, JANTXV 1N5415
100V	JAN, JANTX, JANTXV 1N5416
200V	JAN, JANTX, JANTXV 1N5417
400V	JAN, JANTX, JANTXV 1N5418
500V	JAN, JANTX, JANTXV 1N5419
600V	JAN, JANTX, JANTXV 1N5420

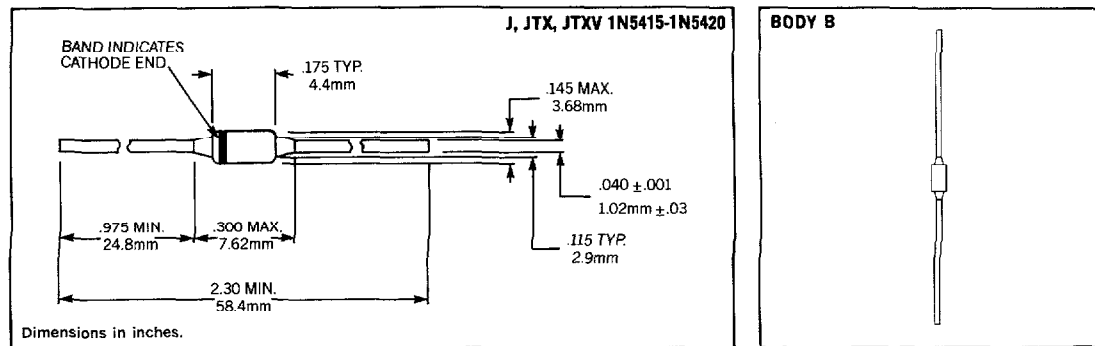
Maximum Average D.C. Output Current
 @ $T_A = 55^\circ\text{C}$ 3.0A
 @ $T_A = 100^\circ\text{C}$ 2.0A

Non-Repetitive Sinusoidal
 Surge Current (8.3ms) 80A

Operating Temperature Range -65°C to $+175^\circ\text{C}$
 Storage Temperature Range -65°C to $+200^\circ\text{C}$
 Thermal Resistance θ_{JL} @ $L = 3/8"$ 20°C/W

See Lead Temperature Derating Curve

MECHANICAL SPECIFICATIONS



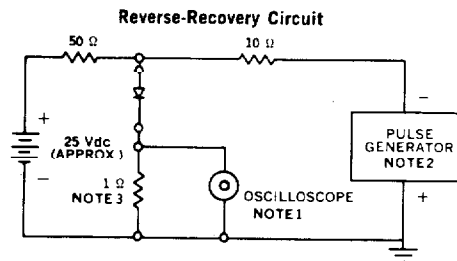
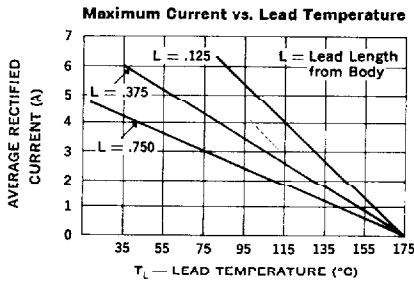
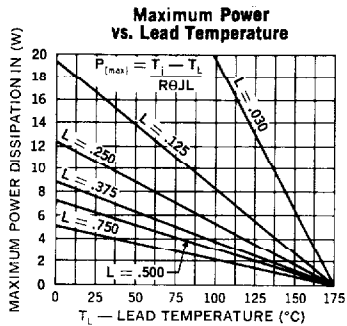
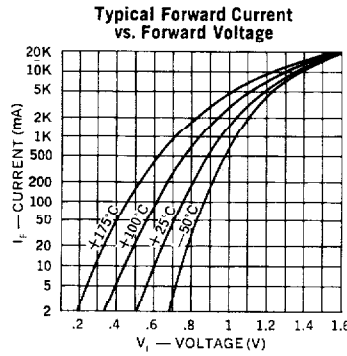
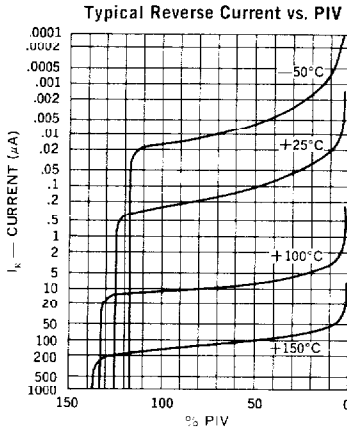
THESE DEVICES ALSO AVAILABLE IN SURFACE MOUNT PACKAGE. SEE SECTION 10

Microsemi Corp.
Watertown
 The ultra experts

ELECTRICAL SPECIFICATIONS (at 25°C unless noted)

Type	PIV	Minimum Reverse Breakdown Voltage @ 50µA	Forward Voltage		Maximum Reverse Current		Maximum Reverse Recovery Time*
			Min.	Max.	25°C	100°C	
J, JTX, JTXV 1N5415	50V	55V	0.6V	1.5V(pk) @ 9Adc tp = 300µs	1.0µA	20µA	150
J, JTX, JTXV 1N5416	100V	110V					
J, JTX, JTXV 1N5417	200V	220V					
J, JTX, JTXV 1N5418	400V	440V					
J, JTX, JTXV 1N5419	500V	550V					
J, JTX, JTXV 1N5420	600V	660V					

*Measured in circuit $I_F = 0.5 A$, $I_R = 1A$, $I_{REC} = 0.25 A$.



- NOTES:**
1. Oscilloscope: Rise time $\leq 3ns$; input impedance = 50Ω.
 2. Pulse Generator: Rise time $\leq 8ns$; source impedance 10Ω.
 3. Current viewing resistor, non-inductive, coaxial recommended.