

**ADVANCED ANALOG  
HYBRID-HIGH RELIABILITY  
DC/DC CONVERTERS**

**ATW28XXD SERIES**

**28V Input, Dual Output**



**Description**

The ATW28XXD Series of DC/DC converters feature high power density and an extended temperature range for use in military and industrial applications. Designed to MIL-STD-704 input requirements, these devices operate with a nominal 28 VDC inputs with  $\pm 12V$  and  $\pm 15V$  dual outputs to satisfy a wide range of requirements. The circuit design incorporates a pulse width modulated push-pull topology operating in the feed-forward mode at a nominal switching frequency of 270KHz. Input to output isolation is achieved through the use of transformers in the forward and feedback circuits.

The advanced feedback design provides fast loop response for superior line and load transient characteristics and offers greater reliability and radiation tolerance than devices incorporating optical elements in the feedback circuits.

Three standard temperature grades are offered. Refer to Part Number section for more severe environments.

Manufactured in a facility fully qualified to MIL-PRF-38534, these converters are available in four screening grades to satisfy a wide range of requirements. The CH grade is fully compliant to the requirements of MIL-PRF-38534 for class H. The HB grade is processed and screened to the class H requirement, but may not necessarily meet all of the other MIL-PRF-38534 requirements, e.g., element evaluation and Periodic Inspection (PI) not required. Both grades are tested to meet the complete group "A" test specification over the full military temperature range without output power deration. Two grades with a more limited screening are also available for use in less demanding applications. Variations in electrical, mechanical and screening can be accommodated. Contact Advanced Analog for special requirements.

**Features**

- 18 to 40 VDC Input Range (28 VDC Nominal)
- $\pm 12V$  and  $\pm 15V$  Outputs Available
- Indefinite Short Circuit and Overload Protection
- 22.8 W/in<sup>3</sup> Power Density
- 30 W Output Power
- Fast Loop Response for Superior Transient Characteristics
- Operating Temperature Range from -55°C to +125°C Available
- Popular Industry Standard Pin-Out
- Resistance Seam Welded Case for Superior Long Term Hermeticity
- Efficiencies up to 85%
- Shutdown from External Signal
- Full Military Screening
- 200,000 hour MTBF at 85°C
- MIL-PRF-38534 Compliant Versions Available

Specifications

ATW2812D

ABSOLUTE MAXIMUM RATINGS	
Input Voltage	-0.5V to 50V
Soldering Temperature	300°C for 10 seconds
Case Temperature	Operating -55°C to +125°C Storage -65°C to +135°C

Table I. Electrical Performance Characteristics

Test	Symbol	Conditions -55°C ≤ Tc ≤ +125°C Vin = 28 Vdc ±5%, CL = 0 Unless otherwise specified	Group A Subgroups	Device Types	Limits		Unit
					Min	Max	
Output voltage	V <sub>OUT</sub>	I <sub>OUT</sub> = 0	1	All	±11.88	±12.12	V
			2,3		±11.76	±12.24	
Output current <sup>1,2</sup>	I <sub>OUT</sub>	V <sub>IN</sub> = 18, 28, and 40 V dc, each output	1,2,3	All	250	2250	mA
Output ripple voltage <sup>3</sup>	V <sub>RIP</sub>	V <sub>IN</sub> = 18, 28, and 40 V dc, B.W. = 20Hz to 2MHz	1,2,3	All		85	mVp-p
Line regulation <sup>4</sup>	VR <sub>LINE</sub>	V <sub>IN</sub> = 18, 28, and 40 V dc, I <sub>OUT</sub> = 0, 1250, and 2500mA	1	All		30	mV
			2,3			60	
Load regulation <sup>4</sup>	VR <sub>LOAD</sub>	V <sub>IN</sub> = 18, 28, and 40 V dc, I <sub>OUT</sub> = 0, 1250, and 2500mA	1,2,3	All		120	mV
Cross regulation <sup>5</sup>	VR <sub>CROSS</sub>	10% to 90% load change	1,2,3	All		3.5	%
Input current	I <sub>IN</sub>	I <sub>OUT</sub> = 0, inhibit (pin 8) tied to input return (pin 10)	1,2,3	All		18	mA
		I <sub>OUT</sub> = 0, inhibit (pin 8) = open				50	
Input ripple current <sup>3,4</sup>	I <sub>RIP</sub>	I <sub>OUT</sub> = 2500mA B.W. = 20Hz to 2MHz	1,2,3	All		50	mA p-p
Efficiency <sup>4</sup>	E <sub>FF</sub>	I <sub>OUT</sub> = 2500mA T <sub>C</sub> = +25°C	1	All	80		%
Isolation	ISO	Input to output or any pin to case (except pin 7) at 500 V dc Tc = +25°C	1	All	100		MΩ
Capacitive load <sup>6,7</sup>	CL	No effect on dc performance, Tc = +25°C, total for both outputs	4	All		200	μF
Power dissipation load fault	PD	Overload, Tc = +25°C <sup>8</sup>	1	All		12	W
		Short circuit, Tc = +25°C				9	
Switching frequency <sup>4</sup>	FS	I <sub>OUT</sub> = 2500mA	4,5,6	01	250	300	KHz
				02	250	270	
				03	275	300	
Output response to step transient load changes <sup>4,9</sup>	VO <sub>TLOAD</sub>	1250mA to/from 2500mA	4,5,6	All	-400	+400	mV pk
		0mA to/from 2500mA	4,5,6	All	-800	+800	
Recovery time step transient load changes <sup>4,9,10</sup>	TT <sub>LOAD</sub>	1250mA to/from 2500mA	4,5,6	All		70	μs
		0mA to/from 1250mA	4,5,6	All		500	
		1250mA to/from 0mA	4,5,6	All		5	ms

For Notes to Specifications, refer to page 3

Table I. Electrical Performance Characteristics - continued

ATW2812D

Test	Symbol	Conditions -55°C ≤ Tc ≤ +125°C Vin = 28 Vdc ±5%, Ci = 0 unless otherwise specified	Group A Subgroups	Device Types	Limits		Unit
					Min	Max	
Output response transient step line changes <sup>4, 7, 11</sup>	VO <sub>LINE</sub>	Input step from/to 18 to 40 Vdc, I <sub>OUT</sub> = 2500mA	4,5,6	All	-800	+800	mV pk
Recovery time transient step line change <sup>4, 7, 10, 11</sup>	TT <sub>LINE</sub>	Input step from/to 18 to 40 Vdc, I <sub>OUT</sub> = 2500mA	4,5,6	All		4000	μs
Turn on overshoot <sup>4</sup>	VTON <sub>OS</sub>	I <sub>OUT</sub> = 0 and 2500mA	4,5,6	All		750	mV pk
Turn on delay <sup>4, 12</sup>	Ton <sub>D</sub>	I <sub>OUT</sub> = 0 and 2500mA	4,5,6	All		14	ms
Load fault recovery <sup>7</sup>	Tr <sub>LF</sub>		4,5,6	All		14	ms
Weight		Flange				75	grams

Notes to Specifications

- 1 Parameter guaranteed by line, load and cross regulation tests.
- 2 Up to 90% of full power is available from either output provided the total output does not exceed 30W.
- 3 Bandwidth guaranteed by design. Tested for 20KHz to 2MHz.
- 4 Load current split equally between +V<sub>OUT</sub> and -V<sub>OUT</sub>.
- 5 Three-watt load on output under test, 3 watt to 27 watt load change on other output.
- 6 Capacitive load may be any value from 0 to the maximum limit without compromising dc performance.  
A capacitive load in excess of the maximum limit will not disturb loop stability but may interfere with the operation of the load fault detection circuitry, appearing as a short circuit during turn-on.
- 7 Parameter shall be tested as part of design characterization and after design or process changes.  
Thereafter, parameters shall be guaranteed to the limits specified in Table I.
- 8 An overload is that condition with a load in excess of the rated load but less than that necessary to trigger the short circuit protection and is the condition of maximum power dissipation.
- 9 Load step transition time between 2 and 10 microseconds.
- 10 Recovery time is measured from the initiation of the transient to where V<sub>OUT</sub> has returned to within ±1 percent of V<sub>OUT</sub> at 50 percent load.
- 11 Input step transition time between 2 and 10 microseconds.
- 12 Turn-on delay time measurement is for either a step application of power at the input or the removal of ground signal from the inhibit pin (pin 8) while power is applied to the input.

Specifications

ATW2815D

ABSOLUTE MAXIMUM RATINGS	
Input Voltage	-0.5V to 50V
Soldering Temperature	300°C for 10 seconds
Case Temperature	Operating -55°C to +125°C Storage -65°C to +135°C

Table II. Electrical Performance Characteristics

Test	Symbol	Conditions -55°C ≤ Tc ≤ +125°C Vin = 28 Vdc ±5%, Ci = 0 Unless otherwise specified	Group A Subgroups	Device Types	Limits		Unit
					Min	Max	
Output voltage	V <sub>OUT</sub>	V <sub>IN</sub> = 18, 28, and 40 Vdc I <sub>OUT</sub> = 0	1	All	±14.85	±15.15	V <sub>DC</sub>
			2,3	All	±14.70	±15.30	V <sub>DC</sub>
Output current <sup>11,13</sup>	I <sub>OUT</sub>	V <sub>IN</sub> = 18, 28, and 40 V dc	1,2,3	All	0.200	2000	mA <sub>DC</sub>
Output ripple voltage <sup>8</sup>	V <sub>RIP</sub>	V <sub>IN</sub> = 18, 28, and 40 V dc, B.W. = DC to MHz	1,2,3	All		85	mVp-p
Output Power <sup>4,11</sup>	P <sub>OUT</sub>	V <sub>IN</sub> = 18, 28, 40 Vdc	1,2,3	All	30		W
Line regulation <sup>9,10</sup>	VR <sub>LINE</sub>	V <sub>IN</sub> = 18, 28, and 40 V dc, I <sub>OUT</sub> = 0, 1000, and 2000mA	1	All		35	mV
			2,3	All		75	mV
Load regulation <sup>9,10</sup>	VR <sub>LOAD</sub>	V <sub>IN</sub> = 18, 28, and 40 V dc, I <sub>OUT</sub> = 0, 1000, and 2000mA	1,2,3	All		150	mV
Input current	I <sub>IN</sub>	I <sub>OUT</sub> = 0, inhibit (pin 8)	1,2,3	All		12	mADC
		I <sub>OUT</sub> = 0, inhibit (pin 8) = open	1,2,3	All		30	mADC
Input ripple current	I <sub>RIP</sub>	I <sub>OUT</sub> = 2000mA	1,2,3	All		60	mAp-p
Efficiency	E <sub>EFF</sub>	I <sub>OUT</sub> = 2500mA T <sub>C</sub> = 25°C	1	All	80		%
Isolation	ISO	Input to output or any pin to case (except pin 8) at 500V dc Tc = 25°C	1	All	100		MΩ
Capacitive load <sup>6,12</sup>	C <sub>L</sub>	No effect on dc performance, Tc = 25°C	4	All		500	μF
Power dissipation load fault	P <sub>D</sub>	Overload, T <sub>C</sub> = +25°C <sup>3</sup>	1	All		9	W
		Short circuit, T <sub>C</sub> = +25°C	1	All		9	W
Switching frequency	F <sub>S</sub>	I <sub>OUT</sub> = 2000mA	1,2,3	01	237	263	KHz
			1,2,3	02	230	245	KHz
			1,2,3	03	250	265	KHz
Output response to step transient load changes <sup>7,9,10</sup>	VO <sub>TLOAD</sub>	50% load to/from 100% load	4,5,6	All	-300	+300	mV pk
		No load to 100% load	4,5,6	All	-800	-800	mV pk
		100% load to no load	4,5,6	All	+800	+800	mV pk
Recovery time step transient load changes <sup>1,7</sup>	TT <sub>LOAD</sub>	50% load to/from 100% load	4,5,6	All		25	μs
		No load to 50% load	4,5,6	All		500	μs
		50% load to no load	4,5,6	All		7	ms

For Notes to Specifications, refer to page 5

**Table II. Electrical Performance Characteristics - continued**

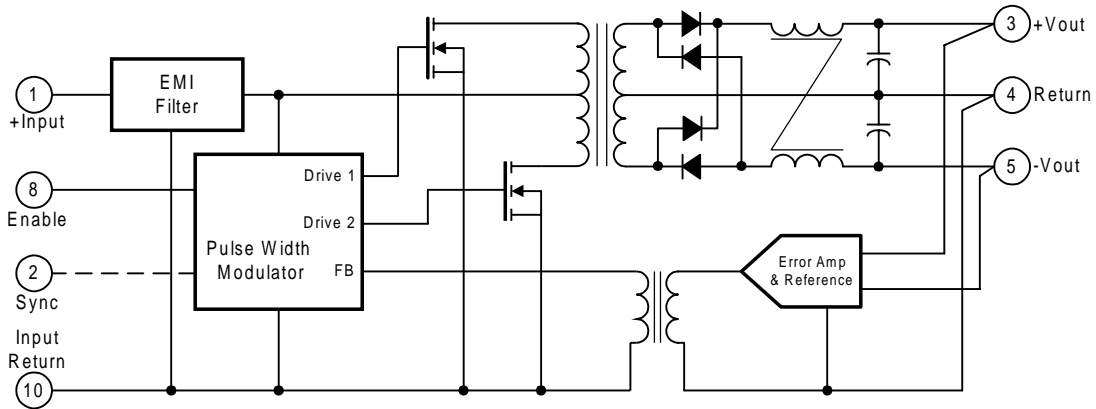
**ATW2815D**

Test	Symbol	Conditions -55°C ≤ Tc ≤ +125°C Vin = 28 Vdc ±5%, CL = 0 unless otherwise specified	Group A Subgroups	Device Types	Limits		Unit
					Min	Max	
Output response transient step line changes <sup>5, 12</sup>	VO <sub>TLINE</sub>	Input step from/to 18 to 40VDC	4,5,6	All		+180	mV pk
		Input step from 40 to 18 VDC	4,5,6	All		-600	mV pk
Recovery time transient step line changes <sup>1, 5, 12</sup>	TT <sub>LINE</sub>	Input step from/to 18 to 40 VDC	4,5,6	All		400	μs
		Input step from 40 to 18 VDC	4,5,6	All		400	μs
Turn on overshoot	V <sub>TonOS</sub>	I <sub>OUT</sub> = 0 and 2000mA	4,5,6	All		750	mV pk
Turn on delay <sup>2</sup>	Ton <sub>D</sub>	I <sub>OUT</sub> = 0 and 2000mA	4,5,6	All		12	ms
Load fault recovery <sup>12</sup>	Tr <sub>LF</sub>	V <sub>IN</sub> = 18 to 40 VDC	4,5,6	All		12	ms
Weight		Flange				75	grams

**Notes to Specifications**

- 1 Recovery time is measured from the initiation of the transient to where V<sub>OUT</sub> has returned to within ±1% of V<sub>OUT</sub> at 50% load.
- 2 Turn-on delay time measurement is for either a step application of power at the input or the removal of a ground signal from the inhibit pin (pin 8) while power is applied to the input.
- 3 An overload is that condition with a load in excess of the rated load but less than that necessary to trigger the short circuit protection and is the condition of maximum power dissipation.
- 4 Above +125°C case, derate output power linearly to 0 at +135°C case.
- 5 Input step transition time between 2 and 10 microseconds.
- 6 Capacitive load may be any value from 0 to the maximum limit without compromising DC performance. A capacitive load in excess of the maximum limit will not disturb loop stability but will interfere with the operation of the load fault detection circuitry, appearing as a short circuit during turn on.
- 7 Load step transition time between 2 and 10 microseconds.
- 8 Bandwidth guaranteed by design. Tested for 20KHz to 2MHz.
- 9 Load current split equally between +V<sub>OUT</sub> and -V<sub>OUT</sub>.
- 10 When operating with unbalanced loads, at least 25% of the load must be on the positive output to maintain regulation.
- 11 Parameter guaranteed by line and load regulation tests.
- 12 Parameter shall be tested as part of design characterization and after design or process changes. Thereafter parameters shall be guaranteed to the limits specified in Table II.
- 13 Up to 90% of full power is available from either output provided the total output does not exceed 30 watts.

ATW28XXD Block Diagram



**Application Information**

**Inhibit Function**

Connecting the inhibit input (Pin 8) to input common (Pin 10) will cause the converter to shut down. It is recommended that the inhibit pin be driven by an open collector device capable of sinking at least 400µA of current. The open circuit voltage of the inhibit input is 11.5 ±1 VDC.

**EMI Filter**

An optional external EMI filter (AFC461) is available that will reduce the input ripple current to levels below the limits imposed by MIL-STD-461B CEO3.

**Device Synchronization**

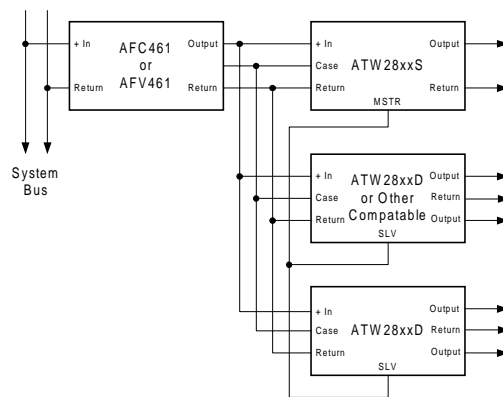
Whenever multiple DC/DC converters are utilized in a single system, significant low frequency noise may be generated due to the slight differences in the switching frequencies of the converters (beat frequency noise). Because of the low frequency nature of this noise (typically less than 10KHz), it is difficult to filter out and may interfere with proper operation of sensitive systems (communications, radar or telemetry). Advanced Analog offers an option, which allows synchronization of multiple AHE/ATW type converters, thus eliminating this type of noise.

To take advantage of this capability, the system designer must assign one of the converters as the master. Then, by definition, the remaining converters become slaves and will operate at the masters' switching frequency.

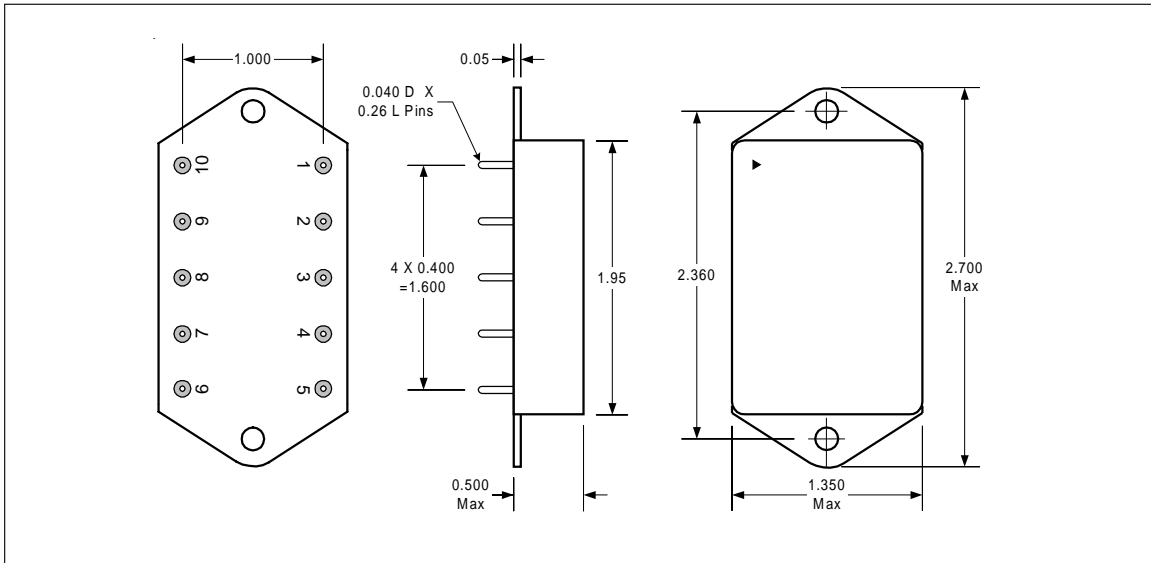
The user should be aware that the synchronization system is fail-safe; that is, the slaves will continue operating should the master frequency be interrupted for any reason. The layout must be such that the synchronization output (pin 2) of the master device is connected to the synchronization input (pin 2) of each slave device. It is advisable to keep this run short to minimize the possibility of radiating the 250KHz switching frequency.

The appropriate parts must be ordered to utilize this feature. After selecting the converters required for the system, a 'MSTR' suffix is added for the master converter part number and a 'SLV' suffix is added for slave part number. See Part Number section.

Typical Synchronization Connection



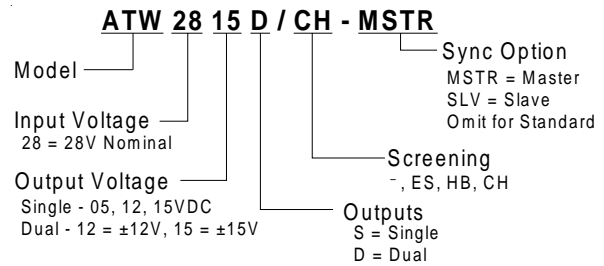
**ATW28XXD Case Outlines**



**Pin Designation**

Pin No.	Designation
1	Positive Input
2	N/C Standard or Sync. ( Optional )
3	Positive Output
4	Output Return
5	Negative Output
6	N/C
7	Case Ground
8	Enable
9	N/C
10	Input Return

**Part Numbering**



**Available Screening Levels and Process Variations for ATW28XXD Series**

Requirement	MIL-STD-883 Method	No Suffix	ES Suffix	HB Suffix	CH Suffix
Temperature Range		-55°C to +85°C	-55°C to +125°C	-55°C to +125°C	-55°C to +125°C
Element Evaluation					MIL-PRF-38534
Internal Visual	2017	*	Yes	Yes	Yes
Temperature Cycle	1010, Cond C		Cond A	Yes	Yes
Constant Acceleration	2001, Cond A		500g	5,000g	5,000g
Burn-in	1015	48hrs @ 85°C	48hrs @ 105°C	160hrs @ 125°C	160hrs @ 125°C
Final Electrical (Group A)	MIL-PRF-38534 & Specification	25°C	25°C	-55, +25, +125°C	-55, +25, +125°C
Seal, Fine & Gross	1014		Yes	Yes	Yes
External Visual	2009	*	Yes	Yes	Yes

\* Per Commercial Standards

**Available Standard Military Drawing (SMD) Cross Reference**

Standardized Military Drawing Pin	Vendor CAGE Code	Vendor Similar Pin
5962-9210901HZX	52467	ATW2812D/CH
5962-9210902HZX	52467	ATW2812D/CH-SLV
5962-9210903HZX	52467	ATW2812D/CH-MSTR
5962-9161301HZX	52467	ATW2815D/CH
5962-9161302HZX	52467	ATW2815D/CH-SLV
5962-9161303HZX	52467	ATW2815D/CH-MSTR