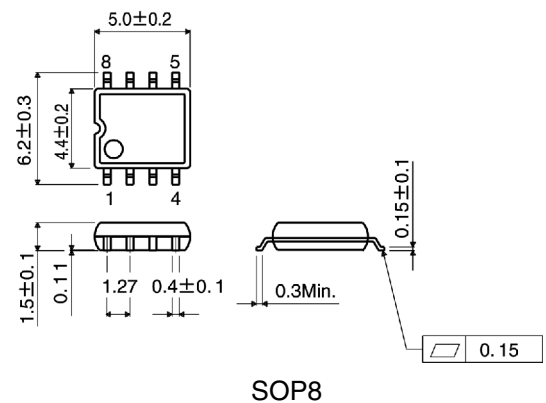


Clock generator IC BU2294AF

●Description

The BU2294AF is an IC which produces dual clocks required for a game machine from an external crystal oscillator for PAL and a built-in 2-channel PLL. Three kinds of frequencies; 53.203425MHz, 67.735842MHz and 4.433619MHz can be outputted with low jitter and high S/N.

●Dimension (Units : mm)



●Features

- 1) Available with three output clock signals required for a game machine in one chip.
- 2) All output with low jitter, high S/N
- 3) No need for additional components,
Built-in a PLL loop filter
- 4) 3.3V single power supply

●Applications

Game machines

●Absolute Maximum Ratings (Ta=25°C)

Parameter	Symbol	Limits	Unit
Power supply voltage	V _{DD}	+3.0 ~ +3.6	V
Power dissipation	Pd	450	mW
Operating temperature range	Topr	-5 ~ +70	°C
Storage temperature range	Tstg	-30 ~ +125	°C

Derating : 4.5mW/°C for operation above Ta=25°C.

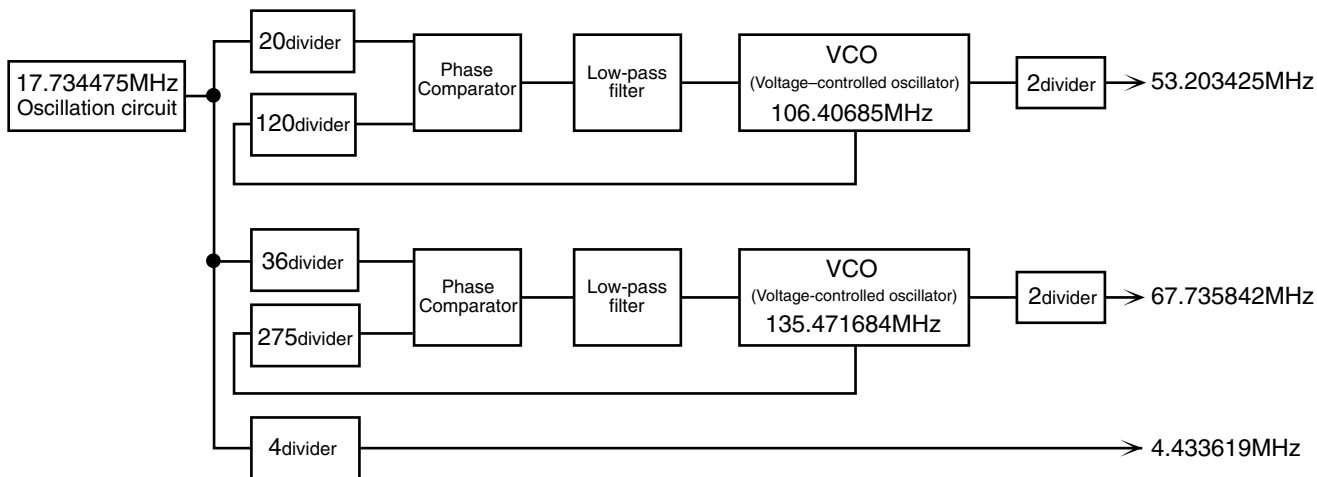
●Recommended Operating Conditions (Ta=25°C)

Parameter	Symbol	Min.	Typ.	Max.	Unit
Power supply voltage	V _{DD}	3.0	3.3	3.6	V

●Electrical characteristics (Unless otherwise noted, Ta=25°C, Vcc=3.3V, XTAL=17.734475MHz)

Parameter	Symbol	Min.	Typ.	Max.	Unit	Conditions
Operating circuit current	I _{DD}	—	30	50	mA	No load
CLKA	CLKA	—	53.203425	—	MHz	XTAL 120 20 2
CLKB	CLKB	—	67.735842	—	MHz	XTAL 275 36 2
CLKC	CLKC	—	4.433619	—	MHz	XTAL 4
DUTY	DUTY	45	50	55	%	1/2V _{DD} test
Jitter	Jstd1	—	—	100	psec	Short term Jitter 1 , No load

●Block Diagram



BU2294AF