

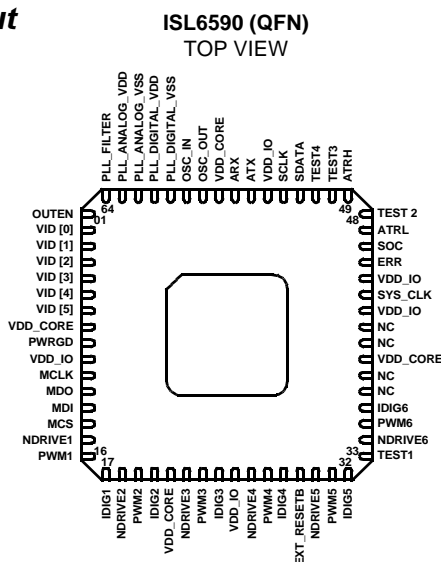
## Digital Multi-Phase PWM Controller for Core-Voltage Regulation

Processors that operate above a GHz require fast, intelligent power systems. The Intersil ISL6590 controller offers intelligent digital, multi-phase control that provides high bandwidth, optimal control frequency response, noise immunity and active transient response control algorithms. The design is fully scalable for controlling up to six phases, each featuring the Intersil ISL6580 intelligent power stage.

The user can configure and monitor the power system via the Asynchronous Serial Interface (ASI). The ISL6590 controller flexibility can be extended with the addition of an external EEPROM for updating key circuit operating parameters in the control loop and overall system design. The digital architecture reduces the design time for engineers with the use of our software. The software allows the designer the freedom to choose output stage components and still achieve optimized system performance.

The ISL6590 digital controller communicates with the ISL6580 integrated power stages via 100% digital signaling. Serial communication allows for separation of the controller and the power stage, providing placement and layout freedom to the power stage. The digital controller implements phase balancing to ensure even distribution of phase currents. The ISL6590 controller configures the ISL6580 power stage current limit, VID reference, non-overlap period, Active Transient Response (ATR) trigger levels and maximum temperature limit. The digital controller also monitors the ISL6580 power stage peak currents, over-temperature fault, input under voltage, output over/under voltage to ensure proper operation of the power supply.

### Pinout



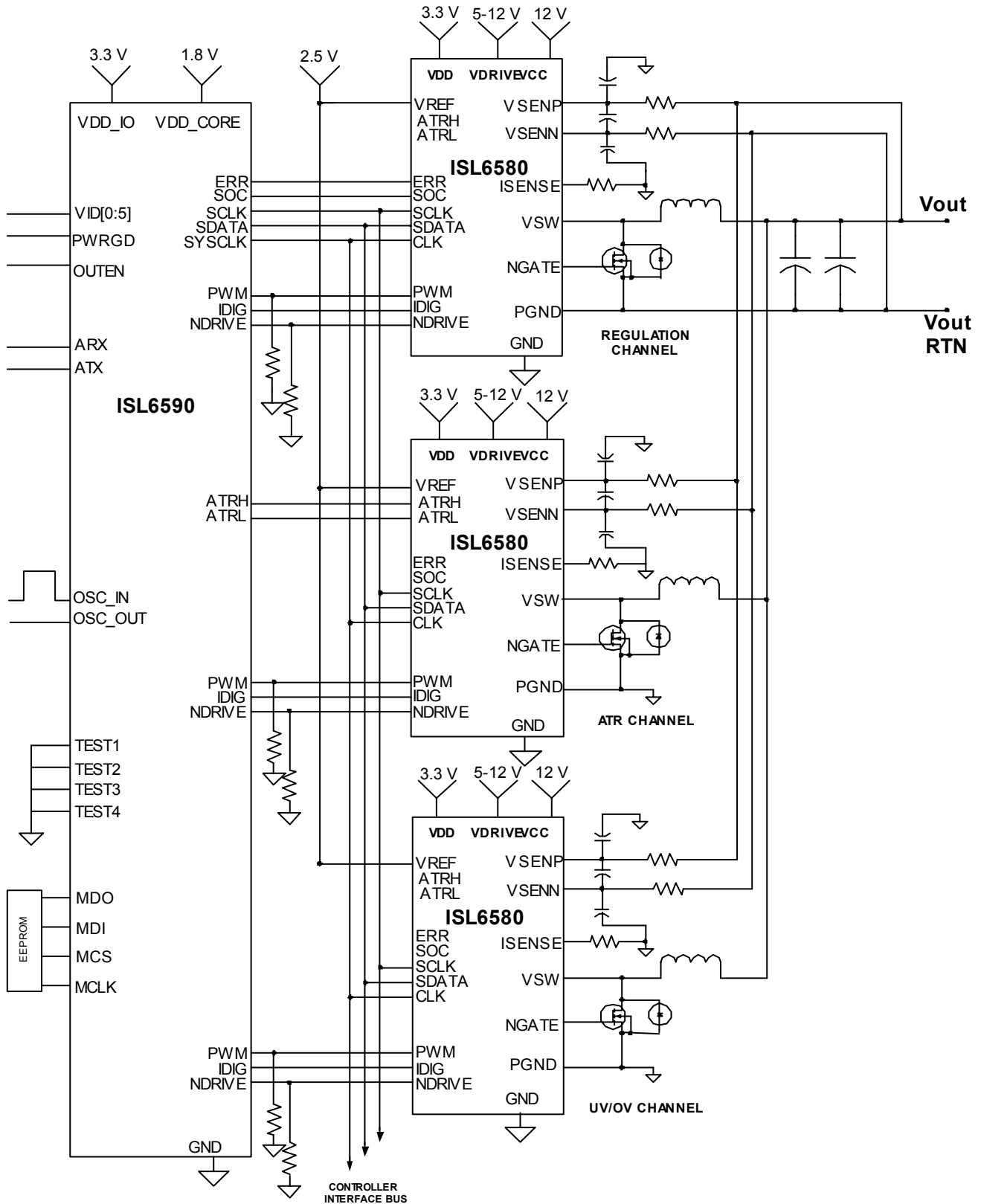
### Features

- Open Architecture features software programmable control loop compensation enabling optimal system performance
  - User accessible asynchronous serial interface
- Intel VR10
  - 6-bit Dynamic VID™
  - Output voltage regulation range of 0.8375V to 1.600Vdc
- 250kHz to 1MHz switching frequency
- 100% digital control and signaling
- Active Transient Response (ATR) control algorithms for minimized voltage droop and overshoot
- Controls up to six ISL6580 intelligent power stages (20A per phase, 120A total system current)
- Programmable Adaptive voltage positioning (AVP) load line
- Configurable control loop parameters (with optional external EEPROM)
- Programmable MOSFET dead time control
- High speed voltage and current control loops
- PWRGD and OUTEN
- Serial interface to ISL6580 power stages for system monitoring and configuration
- 64 Ld 9x9 QFN package
- QFN Package Option
  - QFN Compliant to JEDEC PUB95 MO-220 QFN - Quad Flat No Leads - Product Outline
  - QFN Near Chip Scale Package Footprint; Improves PCB Efficiency, Thinner in Profile.

### Ordering Information

PART NUMBER	TEMP. (°C)	PACKAGE	PKG. NO.
ISL6590DR	0 to 85	64 Ld 9x9 QFN	L64.9x9-S

Typical Application Circuit



**Absolute Maximum Ratings**

Supply Voltage	
(VDD_IO) .....	+3.63V
(VDD_Core) .....	+1.98V
ESD Classification .....	1.5kV

**Recommended Operating Conditions**

Supply Voltage	
(VDD_IO) .....	+3.3V ±5%
(VDD_Core) .....	+1.8V ±5%
(Analog PLL) .....	+1.8V ±5%
(Digital PLL) .....	+1.8V ±5%
Ambient Temperature .....	0°C to 85°C

**Thermal Information**

Thermal Resistance	(°C/W)
θ <sub>JC</sub> .....	3
θ <sub>JA-0</sub> LFPM AIR .....	29.0
θ <sub>JA-100</sub> LFPM AIR .....	26.6
θ <sub>JA-200</sub> LFPM AIR .....	25.0
θ <sub>JA-400</sub> LFPM AIR .....	23.2
θ <sub>JB</sub> .....	8

Maximum Storage Temperature Range .....	-65°C to 150°C
Maximum Lead Temperature (Soldering 10s) .....	300°C
Maximum Junction Temperature .....	125°C
Maximum Storage Temperature Range .....	-65°C to 150°C
Maximum Lead Temperature (Soldering 10s) .....	300°C

CAUTION: Stress above those listed in "Absolute Maximum Ratings" may cause permanent damage to the device. This is a stress only rating and operation of the device at these or any other conditions above those indicated in the operational section of this specification is not implied.

NOTE:

1. θ<sub>JA</sub> is measured with the component mounted on a "High Effective" Thermal Conductivity Board with "Direct Attach" features. (See Tech Brief TB379 for details.)

**Electrical Specifications** Operating Conditions: V<sub>DDIO</sub> = 3.3V, V<sub>DDCORE</sub> = 1.8V, T<sub>A</sub> = 25°C, Unless Otherwise Specified

PARAMETER	TEST CONDITIONS	MIN	TYP	MAX	UNITS
<b>INPUTS</b>					
Outen, VID[0:5], V <sub>IH</sub>	3.3V no internal pull-up/down resistors	0.8	-	-	V
Outen, VID[0:5], V <sub>IL</sub>	3.3V no internal pull-up/down resistors	-	-	0.4	V
MDI, IDIG[1-6], ATRL, ATRH, SOC, ERR V <sub>IH</sub>	3.3V internal pull-down resistor	2.0	-	-	V
MDI, IDIG[1-6], ATRL, ATRH, SOC, ERR V <sub>IL</sub>	3.3V internal pull-down resistor	-	-	0.8	V
EXT_RESETB, V <sub>IH</sub>	3.3V internal pull-up resistor	2.0	-	-	V
EXT_RESETB, V <sub>IL</sub>	3.3V internal pull-up resistor	-	-	0.8	V
ARX, V <sub>IH</sub>	3.3V internal pull-up resistor	2.0	-	-	V
ARX, V <sub>IL</sub>	3.3V internal pull-up resistor	-	-	0.8	V
OSC_IN, V <sub>IH</sub>	No internal pull-up/down resistors	2.0	-	-	V
OSC_IN, V <sub>IL</sub>	No internal pull-up/down resistors	-	-	0.8	V
<b>OUTPUTS</b>					
MCLK, MDO, MCS, NDRIVE[0:5], PWM[0:5], ATX, V <sub>OH</sub>	No internal pull-up/down resistors, 8mA drive	2.4	-	-	V
MCLK, MDO, MCS, NDRIVE[0:5], PWM[0:5], ATX, V <sub>OL</sub>	No internal pull-up/down resistors, 8mA drive	-	-	0.4	V
SYS_CLK, V <sub>OH</sub>	No internal pull-up/down resistors, 20mA drive	2.4	-	-	V
SYS_CLK, V <sub>OL</sub>	No internal pull-up/down resistors, 20mA drive	-	-	0.4	V
SCLK, V <sub>OH</sub>	No internal pull-up/down resistors, 16mA drive	2.4	-	-	V
SCLK, V <sub>OL</sub>	No internal pull-up/down resistors, 16mA drive	-	-	0.4	V
SDATA, V <sub>OH</sub>	3.3V pull-up resistor, 16mA drive	2.4	-	-	V
SDATA, V <sub>OL</sub>	3.3V pull-up resistor, 16mA drive	-	-	0.4	V
SDATA, V <sub>IH</sub>	3.3V pull-up resistor	2.0	-	-	V
SDATA, V <sub>IL</sub>	3.3V pull-up resistor	-	-	0.8	V
PWRGD, V <sub>OH</sub>	Open drain, 6mA drive	2.4	-	-	V
PWRGD, V <sub>OL</sub>	Open drain, 6mA drive	-	-	0.4	V
OSC_OUT, V <sub>OH</sub>	No internal pull-up/down resistors, 10mA drive	2.4	-	-	V
OSC_OUT, V <sub>OL</sub>	No internal pull-up/down resistors, 10mA drive	-	-	0.4	V

**Electrical Specifications** Operating Conditions:  $V_{DDIO} = 3.3V$ ,  $V_{DDCORE} = 1.8V$ ,  $T_A = 25^{\circ}C$ , Unless Otherwise Specified (Continued)

PARAMETER	TEST CONDITIONS	MIN	TYP	MAX	UNITS
<b>POWER-ON RESET AND ENABLE</b>					
POR Threshold	V <sub>ddio</sub> Rising	1.4	-	-	V
	V <sub>ddio</sub> Falling	-	-	2.55	V
	V <sub>ddcore</sub> Rising	0.7	-	-	V
	V <sub>ddcore</sub> Falling	-	-	1.4	V
OUTEN Threshold	OUTEN Rising	-	0.71	-	V
	OUTEN Falling	-	0.64	-	V
<b>OSCILLATOR</b>					
Adjustment Range		0.250	-	1	MHz
Max Duty Cycle		24	TBD	-	%

NOTE:

- Reserved for note.

**Block Diagram**

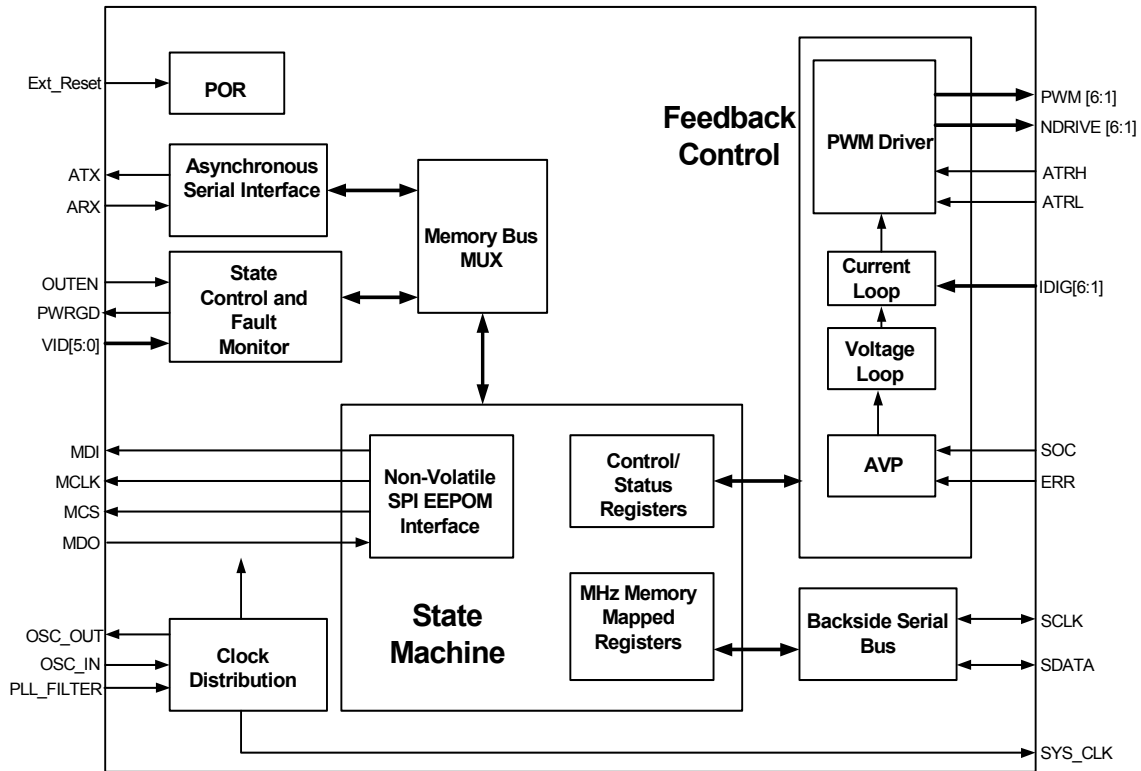


FIGURE 1. ISL6590 BLOCK DIAGRAM

**Pin Descriptions**

PIN NO.	PIN NAME	TYPE	PIN DESCRIPTION
1	OUTEN	Input	Output enable high input signal used to command the regulator on and a low input signal turns the regulator off.
2-7	VID[0:5]	Input	Voltage identification (6 bit). Programs Vout regulation voltage.
8, 21, 39, 57	VDD_CORE	Power	IC internal core supply voltage (1.8 VDC logic).
9	PWRGD	Output	Power Good high output signal to indicate the regulator output voltage is within the specified range. A low signal indicates the voltage is not within range.
10, 25, 42, 44, 54	VDD_IO	Power	IC I/O input supply voltage (3.3 VDC logic).
11	MCLK	Output	EEPROM external memory clock, data is clocked out of the IC on the rising edge and data is clocked into the ISL6580 IC on the falling edge. Compliant with SPI™ EEPROMs.
12	MDO	Output	EEPROM external memory data output. Compliant with SPI EEPROMs.
13	MDI	Input	EEPROM external memory data input. Compliant with SPI EEPROMs.
14	MCS	Output	EEPROM external memory chip select (Active low). Compliant with SPI EEPROMs.
15, 18, 22, 26, 30, 34	NDRIVE[1:6]	Output	Low side drive signal used to initiate the ISL6580 to turn on the LSFET.
16, 19, 23, 27, 31, 35	PWM[1:6]	Output	PWM performs pulse width modulation which is used to turn on the ISL6580's power devices.
17, 20, 24, 28, 32, 36	IDIG[1:6]	Input	Current A/D data serial 7-bit digital word (MSB first). The first bit is a start bit (Start = 1). The remaining 6 bits represent the sampled peak current in the drain of the particular ISL6580 P-Channel HSFET. (IDIG word transmission is triggered by the falling edge of the PWM signal.) IDIG is an input that is received at SYSCLK/2, normally 66.6MHz.
29	EXT_Reset	Input	Voltage identification (6 bit). Programs Vout regulation voltage.
33, 48, 50, 51	TEST[1:4]	Output	Test pins for part evaluation
37, 38, 40, 41	NC	N/A	These pins have not been bonded out.
43	SYSCLK	Input/Output	System clock which runs at a 133.3MHz rate used to clock the ISL6580. This is generated by the internal PLL circuit to create a 4x frequency multiply of the OSC_IN frequency.
45	ERR	Input	Serial data transmitted at a 66MHz (or SYSCLK/2) rate. This 6 bit voltage error is feedback into the control loop and used to regulate the output voltage.
46	SOC	Input	Start of Conversion signal initiated by the ISL6580's Voltage A/D to create the ERR signal.
47	ATRL	Input	Active Transient Response Low input signal from the ISL6580 indicating a voltage overshoot on the converter output.
49	ATRH	Input	Active Transient Response High input signal from the ISL6580 indicating a voltage droop on the converter output.
52	SDATA	Input/Output	Controller serial interface for communication, monitoring, and configuration data between the ISL6580 and ISL6590 controller.
53	SCLK	Output	Serial digital bus clock supplied for the 16.67MHz clocking that accompanies SDATA via the Backside serial bus.
55	ATX	Output	Asynchronous Serial Interface Transmit
56	ARX	Input	Asynchronous Serial Interface Receive
58	OSC_OUT	Output	Only used if part is using a crystal to generate the system clock.
59	OSC_IN	Input	Requires a 33.33MHz oscillator or crystal which is used to generate system clock.
60	PLL_DIG_VSS PLL Bypass	Ground Input	Digital Ground for the 4X clock multiplier PLL. Test mode to bypass PLL input to core.
61	PLL_DIG_VDD	Power	1.8V power supply for the 4X clock multiplier PLL clock tree driver (1.8 VDC logic).
62	PLL_ANA_VSS	Ground	Analog Ground for the 4X clock multiplier PLL.
63	PLL_ANA_VDD	Power	1.8V power supply for the 4X clock multiplier PLL (1.8 VDC logic).
64	PLL_Filter	Analog Input	Filter cap for PLL.
65	GND	Ground	Paddle IC Ground

## General Description

The ISL6590 is a multiphase digital controller optimized for microprocessor core voltage generation in the 0.8375Vdc - 1.600Vdc output range and high current loading up to 150A with a 12Vdc input. It is intended to be used as a chipset with multiple ISL6580 power stages. The current per stage is up to 25A and the switching frequency can operate from 250kHz to 1MHz. The adaptability of having a digital controller with a serial data bus to the power stages means that the control algorithms can be adjusted with software instead of having to make hardware or board changes. All of the features of the ISL6590 are available in applications that require 3-6 phases of PWM (Pulse-Width Modulation) core voltage regulation. For more information on the power stage, consult the ISL6580 data sheet.

## Block Diagram Overview

The ISL6590 contains functionality to control up to 6 power stages with PWM core voltage regulation. The blocks described follow the block diagram shown in Figure 1. For additional help it would be useful to reference the block diagram of the ISL6580, which is located in the ISL6580 data sheet.

### Asynchronous Serial Interface (ASI) (ATX, ARX)

This 2-wire serial data host interface is designed to transfer command information from the designers PC to the controller, such as adjustments to register settings. The ASI is used during the design process to configure and test your power supply settings. It allows the designer to change loop coefficients to achieve the best response for their system design. This serial bus runs at 115K baud rate to interface with a host computer during testing.

### Backside Serial Bus (BSB) (SDATA, SCLK)

The backside serial bus is a 2-wire communication between the ISL6590 controller and the ISL6580 power ICs used for transfer of control and status information. This bus is critical for proper operation of the system, any miscommunications will cause a bus error between the controller and power stages and shutdown the power supply. A bus error can be caused by poor routing of those lines or by a failed ISL6580.

### Feedback (PWM, NDRIVE, ATR, IDIG, SOC, ERR)

The feedback control block implements the loop compensation, hysteretic control, and switch driver. Defaults for the loop compensation coefficients are retained in the memory block. If the default values need to be optimized, they can be adjusted using the ASI.

The PWM generator that drives NDRIVE and PWM derives its waveform from a current balancing circuit that balances the current to each phase. The current balancing circuit requires information about the amount of current each phase is supporting. This information is obtained using the 6-bit current ADC in each ISL6580.

Each of the ISL6580s contains a 6-bit voltage ADC that can be used to measure the difference between the core voltage at the output and a reference voltage that is set by the VID information. Even though each ISL6580 has the voltage ADC, only one of them is required to use it.

When a large change in current occurs at the output load, a large voltage transient also occurs. The ATRH and ATRL levels are designed to trigger a temporary mode in which the PWM generator aligns all phases or removes all phases in order to quickly raise or lower the output voltage.

### Controller Memory

The internal volatile memory provides control and status registers which are reset to default states on each power up. These registers can be altered with commands from the ASI, the State Control and Fault Monitors, or the Serial Interface with the ISL6580 Power ICs.

### EEPROM Interface (MCS, MCLK, MDI, MDO)

An external EEPROM (non-volatile memory) can be used to write custom information to the volatile memory. The non-volatile memory can be modified via the ASI. The EEPROM contains configuration values for a given design. The ISL6590 uses the standard Serial Peripheral Interface (SPI™) serial protocol for this memory. The EEPROM must be at least a 2K byte memory. Larger memory can be used without problems, however the ISL6590 will utilize only 2K bytes.

### Clock Distribution (OSC\_IN, OSC\_OUT)

The clock distribution block creates the internal system clock from an external clock source such as a crystal oscillator. It performs a 4x frequency multiplication of the external clock frequency. The maximum clock input is 33.33MHz for an IC sample rate of 133.3MHz. It generates the read/write clock for the ASI. The system clock is provided to the ISL6580s via the SYS\_CLK pin.

### State Control and Fault Monitoring (OUTEN, VID[5:0], PWRGD)

Implements control of the power system state and processes fault information from the ISL6580 Power IC. All fault detection within the system is accomplished within each individual ISL6580 and is communicated to the ISL6590 via the Backside Serial Interface. ISL6590 detects the fault through constant polling of the ISL6580 fault registers and responds by tristating the outputs or shutting down the system which then requires a power cycle and initiates a softstart sequence.

### Memory Bus Multiplexer

Controls the priority of data transfer to the volatile memory (control registers) from both the ASI and the state control and fault monitoring. The state control and fault monitoring is given priority over the ASI.

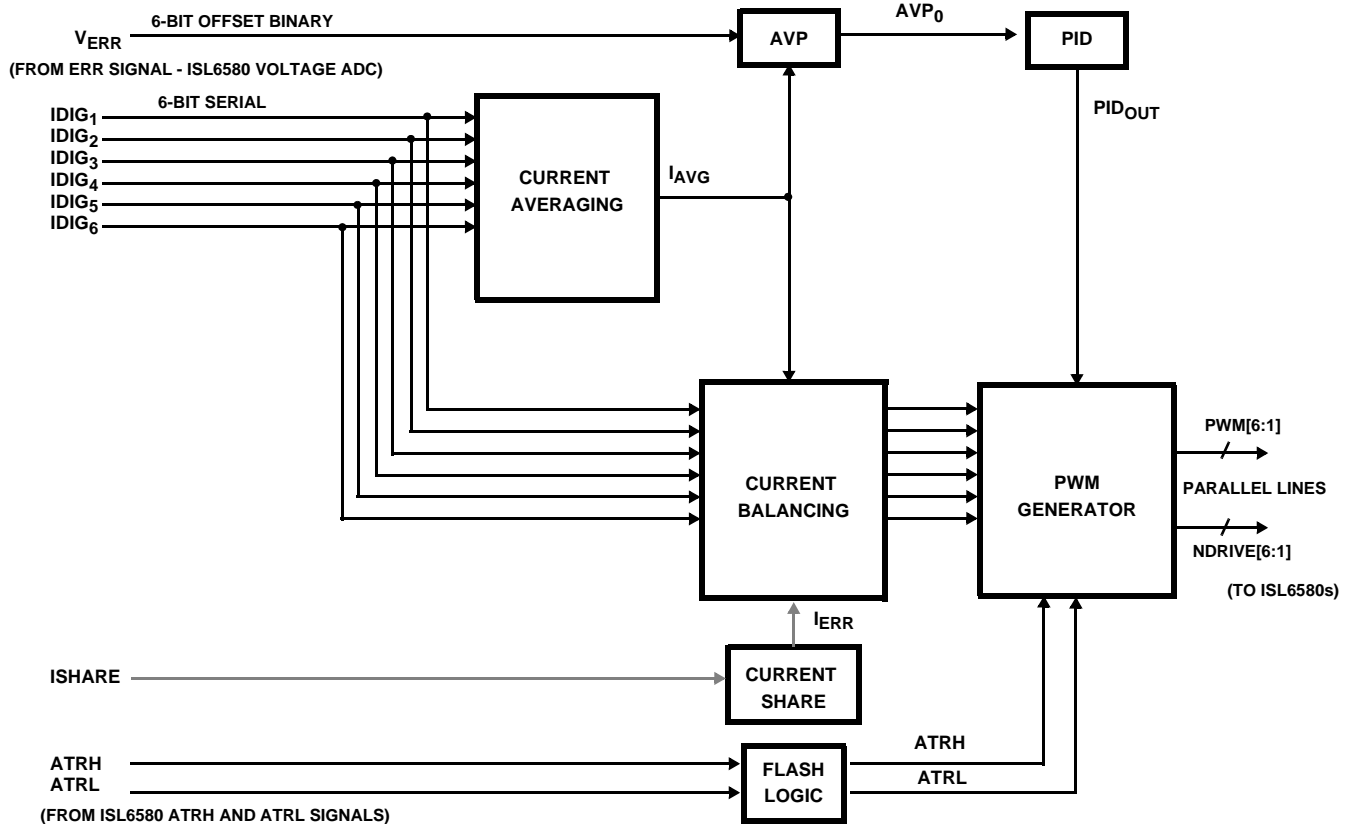


FIGURE 2. FEEDBACK CONTROL DIAGRAM

## Block Diagram Details

### Feedback Control

At a minimum, there must be three ISL6580s available to implement the following modes.

1. Regulation Mode (Voltage ADC)
2. Voltage Transient Mode (ATR Window Comparator)
3. Over/Under Voltage Mode (O/U Voltage Comparator)

Additional phases 4-6 are in normal conversion mode.

Located in the Feedback Control section of the ISL6590 is an interface to the feedback information collected and delivered by the analog ISL6580 power stages. To understand the functionality of the ISL6590 feedback algorithms, key blocks of the ISL6580 must be understood, such as the ADC converters and the window comparator.

### 6-bit Current ADC (ISL6580)

A current ADC (Analog-to-Digital Converter) located in each ISL6580 measures, converts, and transmits that driver's current back to the ISL6590 serially via the IDIG[6:1] bus. The start of conversion is initiated on the falling edge of the PWM input signal at the ISL6580 and the conversion takes about 8 SYSCLK cycles. The SYSCLK signal is provided by the ISL6590 to the ISL6580 and is equal to 4x the crystal

oscillator rate. The 6-bit current ADC is a successive approximation converter, requiring one clock per bit, for a total of 6 clocks. Another clock cycle is for transferring data to the serial register. Since the PWM and SYSCLK may not be phase related, one extra clock cycle may be required depending on the alignment.

It is not possible to predict when the serial data will begin to transfer on the IDIG bus, so a start bit is used to notify the ISL6590 that data is coming. The start bit is followed by the six data bits in descending order from the MSB. A bit is transferred every two SYSCLK cycles. Since the PWM signal is used as the start of conversion signal, a significant glitch on the PWM signal during the conversion or data transfer will initiate a new conversion and abort the present conversion. The ISL6590 uses the serial current information on the IDIG bus to calculate the average of all the phases, compare it to the current of each phase, and balance the phases by adjusting each PWM and NDRIVE signal as necessary.

Because the start of conversion is dictated by the falling edge of the PWM signal, the effective sample rate of the current information is the PWM rate (typ < 1MHz), even though each bit is converted and transferred at  $\text{SYSCLK}/2 = 66.6\text{MHz}$ . All ISL6580s will return IDIG information, regardless of their mode.

### 6-bit Voltage ADC (ISL6580)

Each of the ISL6580s contain a 6-bit voltage ADC that can be used to measure the difference between the core voltage at the output and a reference voltage that is set by the VID information. The VID is sent to the designated ISL6580 via the backside serial bus from the ISL6590 prior to soft start. The voltage difference measured is sent via the ERR signal serially to the ISL6590. Even though each ISL6580 has the voltage ADC, only one of them is required to use it. This mode is called the **Regulation Mode**. The conversion is initiated with the SOC (Start Of Conversion) signal from the ISL6580 pulsing high for two SYSCLK cycles. After another two SYSCLK cycles, the 6 bits of data are shifted out of the ISL6580 on the ERR signal, one bit every two SYSCLK cycles, starting with the MSB.

Because the ADC uses a successive approximation architecture, every two SYSCLK cycles converts one bit, for a total of 12 SYSCLK cycles to make the 6-bit conversion. With a 133.3MHz SYSCLK, 66.6MHz is the sample rate per bit of the ADC and is also the serial data rate of the ERR0 signal. However, since the SOC signal initiates the sampling process, the effective overall sample rate of the voltage measuring system is equal to the SOC rate.

### Window Comparator (ISL6580)

Each ISL6580 contains a window comparator. At least two ISL6580s must be configured to use it. One is configured with comparator trip levels for Transient Voltage Mode (ATR described below) and the other for Over/Under Voltage Mode which responds via the fault registers and is described in detail under *Fault Processing*.

### Adaptive Voltage Positioning (AVP)

The Adaptive Voltage Positioning section of the ISL6590 takes the average current of all the active ISL6580 channels and passes it through an AVP gain factor and a low pass filter. The AVP gain factor sets the slope of the load line so that the voltage at high current loading is intentionally less than the voltage at small current loading. The output of the low pass filter is subtracted from the ADC voltage error (ERR signal) to adjust the operating voltage position. The AVP value is modified in the digital compensation block with the coefficients stored in the ISL6590 memory. The resulting modified output is sent to the PWM generator to adjust the target output voltage for all phases with a voltage offset from the nominal VID so that current and voltage transients can better be accommodated.

### Active Transient Response (ATR)

**Voltage Transient Mode** must be performed by one ISL6580 in the system (but not one already processing another mode). It is done by using the ATR signals between the ISL6580 and ISL6590. When a large change in current occurs at the load, a large voltage transient also occurs. The ATRH and ATRL levels are designed to trigger a temporary mode in which the PWM generator aligns all phases or

removes all phases in order to quickly raise or lower the output voltage. The event is short-lived and the controller quickly returns to normal operation, but the result is an instantaneous boost or reduction in output voltage to keep the transient event within the required regulation window. An ATR window comparator located in the designated ISL6580 generates the ATRH or ATRL indicator signals when the event occurs. The ATRH and ATRL trip levels are offsets from the VID voltage and are set in ISL6590 register 0883h, each with a 4-bit word. The ATRH, ATRL, and VID values from the ISL6590 memory are sent to the designated ISL6580's registers via the BSB prior to soft start. In the ISL6580, these are added or subtracted from the VID target value with 7.5mV LSB resolution to set the trip levels.

Whereas AVP is performed with slight, tightly controlled modifications to the PWM duty cycle in the ISL6590 using sampled current data from each phase, ATR is performed with preset values and trips a comparator in a single ISL6580. The ISL6580 ATRH or ATRL signals immediately tell the PWM generator in the ISL6590 to enter the ATR mode. For this reason, the ATR mode is able to react much quicker than the sample rate derived AVP.

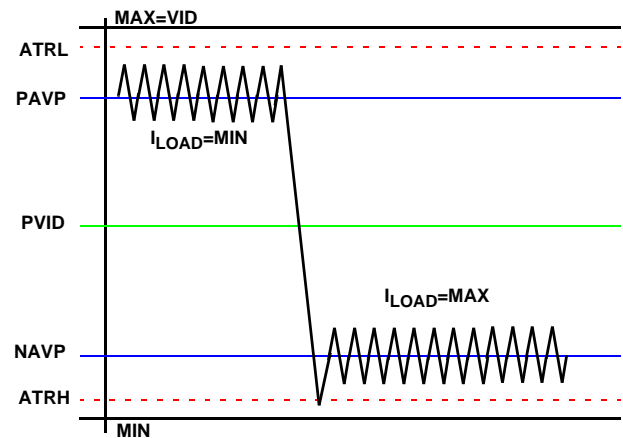


FIGURE 3. ADAPTIVE VOLTAGE POSITIONING AND ACTIVE TRANSIENT RESPONSE TRIP LEVELS



**VID Map****TABLE 1. VOLTAGE IDENTIFICATION (VID)**

V <sub>OUT</sub> (V)	VID5	VID4	VID3	VID2	VID1	VID0
0.8375	0	0	1	0	1	0
0.8500	1	0	1	0	0	1
0.8625	0	0	1	0	0	1
0.8750	1	0	1	0	0	0
0.8875	0	0	1	0	0	0
0.9000	1	0	0	1	1	1
0.9125	0	0	0	1	1	1
0.9250	1	0	0	1	1	0
0.9375	0	0	0	1	1	0
0.9500	1	0	0	1	0	1
0.9625	0	0	0	1	0	1
0.9750	1	0	0	1	0	0
0.9875	0	0	0	1	0	0
1.0000	1	0	0	0	1	1
1.0125	0	0	0	0	1	1
1.0250	1	0	0	0	1	0
1.0375	0	0	0	0	1	0
1.0500	1	0	0	0	0	1
1.0625	0	0	0	0	0	1
1.0750	1	0	0	0	0	0
1.0875	0	0	0	0	0	0
OFF	1	1	1	1	1	1
OFF	0	1	1	1	1	1
1.1000	1	1	1	1	1	0
1.1125	0	1	1	1	1	0
1.1250	1	1	1	1	0	1
1.1375	0	1	1	1	0	1
1.1500	1	1	1	1	0	0
1.1625	0	1	1	1	0	0
1.1750	1	1	1	0	1	1
1.1875	0	1	1	0	1	1
1.2000	1	1	1	0	1	0

**VID**

Control of the output voltage of the regulator is set from the external six bit VID [5:0] input pins. After power-up, the VID inputs are sampled and this value is used as the final output voltage for the Soft Start process. After Soft Start is complete, the internal VID setting may be changed by modifying the external six bit VID [5:0] input pins or via the host interface write to the internal VID register. To allow for

host interface control of VID requires that a separate register is needed for the value of the external VID input pins. This is needed to separately track changes to the VID set by the host interface and the VID set from the external pins. The same method of output voltage stepping that is used in the Soft Start process is also applied to dynamic VID changes.

**Custom VID**

The ISL6590 has additional registers for a custom VID table to be created and stored in memory locations 0940-097F.

V <sub>OUT</sub> (V)	VID5	VID4	VID3	VID2	VID1	VID0
1.2125	0	1	1	0	1	0
1.2250	1	1	1	0	0	1
1.2375	0	1	1	0	0	1
1.2500	1	1	1	0	0	0
1.2625	0	1	1	1	0	0
1.2750	1	1	0	1	1	1
1.2875	0	1	0	1	1	1
1.3000	1	1	0	1	1	0
1.3125	0	1	0	1	1	0
1.3250	1	1	0	1	0	1
1.3375	0	1	0	1	0	1
1.3500	1	1	0	1	0	0
1.3625	0	1	0	0	0	0
1.3750	1	1	0	0	1	1
1.3875	0	1	0	0	1	1
1.4000	1	1	0	0	1	0
1.4125	0	1	0	0	1	0
1.4250	1	1	0	0	0	1
1.4375	0	1	0	0	0	1
1.4500	1	1	0	0	0	0
1.4625	0	1	0	1	0	0
1.4750	1	0	1	1	1	1
1.4875	0	0	1	1	1	1
1.5000	1	0	1	1	1	0
1.5125	0	0	1	1	1	0
1.5250	1	0	1	1	0	1
1.5375	0	0	1	1	0	1
1.5500	1	0	1	1	0	0
1.5625	0	0	1	0	0	0
1.5750	1	0	1	0	1	1
1.5875	0	0	1	0	1	1
1.6000	1	0	1	0	1	0

**PID**

Feedback Control PID block not only performs each of the basic Proportional, Integral, and Differential compensation components, it also includes a Low Pass Filter (LPF) to help reduce high frequency noise and a transient recovery path to help transient event. The coefficients used in the PID portion are Kp, Kd, and Ki. The coefficients used in the LPF are Kfp and Kfd.

The calculations in the transient path take the differential AVP output (DAVPout), gained up by Kdf, and then added to the integral path accumulator. The input to the Low pass filter is the adjusted Verr by AVP output. The coefficients for the PID block are stored in modifiable registers in the Controller Memory Map. In order to put a cap on PID output, the Duty\_limit term from the memory map is used to saturate the output of the PID block.

**Current Balancing**

This block adjusts each individual channel current, I<sub>1-6</sub>, by comparing it with the average current, I<sub>AV</sub>, of all the active channels. The difference between each channel current and the average current passes through a low pass filter and a shift operation to suppress it before it is added to PID output. I<sub>ERR</sub> is an input from the Current Sharing block (not implemented) and represents a difference between the local module's average current and the average currents of all other modules in the system.

**PWM Generator**

The PWM generator delivers 1-6 complementary high side (PWM) and low side (NDRIVE) outputs to each of the ISL6580 power stage's inputs. A high state on the PWM signal enables the high side integrated P-channel MOSFET of each ISL6580. The low side drive signal is a complementary, non-overlapped version of the PWM signal.

The rising edge of each PWM phase is evenly distributed over the switching period. Prior to each PWM output, the generator samples the PID output value and generates a pulse that is proportional to the sampled value.

A high level on the OUTEN input signal enables the PWM generator. The PWRGD output signal denotes that the output is regulated within the specified limits. If OUTEN is low or a major fault occurs, PWRGD will be low.

**Asynchronous Serial Interface Details**

Writes to the control registers from the ASI are second priority to the fault and state monitoring writes to the control registers. The priority is handled by the Memory Bus Multiplexer. The ASI functions at 115.2 kbits/second with a 50ms inter-byte time-out and reset. The ASI waits for command bytes after reset. The serial data is constructed with a start bit, eight data bits, and a stop bit. Parity is not supported.

Controller specific serial interface commands are restricted to reads and writes of the controller memory map. Details are provided in Tables 2-5.

**TABLE 2. ASYNCHRONOUS SERIAL INTERFACE CONTROLLER SPECIFIC COMMANDS**

COMMAND NAME	CODE (8 BITS)	DESCRIPTION
Read_Byte	00h	Reads 1 byte at starting address
Write_Byte	01h	Writes 1 byte at starting address
	02h-FFh	Reserved

**TABLE 3. ASYNCHRONOUS SERIAL INTERFACE ERROR CODES**

COMMAND NAME	CODE (8 BITS)	DESCRIPTION
No Error	00h	No Error
Bus Error	01h	Bus Error
	02h-FFh	Reserved

**TABLE 4. ASYNCHRONOUS SERIAL INTERFACE READ\_BYTE COMMAND FORMAT**

DATA BYTE DESCRIPTION (FIRST TO LAST)	LENGTH (BYTES)	DIRECTION
Address (LSB)	1	In
Address (MSB)	1	In
Error	1	Out
Read data (0 bytes if error)	1	Out

**TABLE 5. ASYNCHRONOUS SERIAL INTERFACE WRITE\_BYTE COMMAND FORMAT**

DATA BYTE DESCRIPTION (FIRST TO LAST)	LENGTH (BYTES)	DIRECTION
Address (LSB)	1	In
Address (MSB)	1	In
Write data	1	In
Error	1	Out

**EEPROM Operation**

After the Controller powers up, the SPI Serial EEPROM interface is polled to see if a memory device is connected. This polling is performed by doing a SPI Memory Write Enable (WREN) command and then doing a Read Status Register (RDSR) to see if the Write Enable bit is set correctly. If an external SPI Serial EEPROM is connected to the controller, the Non-Volatile Memory block asserts an EXTMEM bit in the Memory Status Register. If the NVMEMCODE check passes, all non-volatile memory locations in the Controller Memory Map are read from the serial memory and loaded into the local register copies in the Controller. Once the startup checks and configuration loading (if possible) are complete, SPI\_READY bit is set in

the status register which then allows accesses to the Non-Volatile Memory map.

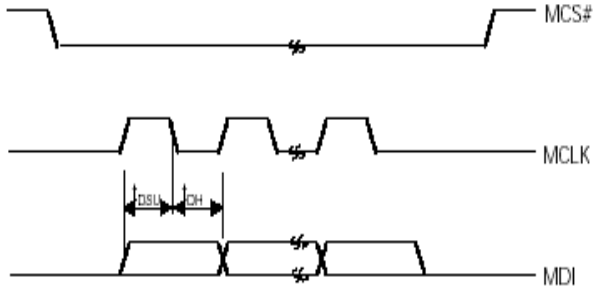


FIGURE 4. EEPROM DATA READ TIMING

TABLE 6. EEPROM DATA READ TIMING

TIMING NAME	PARAMETER	MIN	UNITS
Data Setup	$t_{DSU}$	20	ns
Data Hold	$t_{DH}$	20	ns

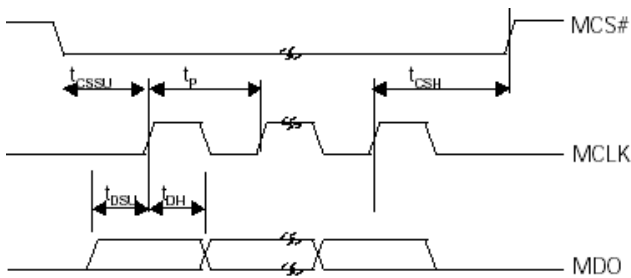


FIGURE 5. EEPROM DATA WRITE TIMING

TABLE 7. EEPROM TIMING

TIMING NAME	PARAMETER	TYPICAL	UNITS
CS to MCLK delay	$t_{CSSU}$	480	ns
Data Setup	$t_{DSU}$	240	ns
Data Hold	$t_{DH}$	240	ns
Clock Period	$t_p$	480	ns
MCLK to CS delay	$t_{CSH}$	720	ns

**Write-Through Cycles**

During startup and local register loading, any incoming writecycles to the Non-Volatile Memory will be held off until start up and configuration is complete. During normal operation, writes to the Non-Volatile Memory shall be extended until such time that the data is both written to and read back from the external EEPROM.

**ISL6590 Data Write Timing**

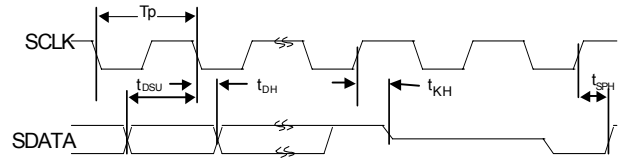


FIGURE 6. ISL6590 DATA WRITE TIMING

TABLE 8. DATA WRITE TIMING

TIMING NAME	PARAMETER	TYPICAL	UNITS
Data Setup	$t_{DSU}$	45	ns
Data Hold	$t_{DH}$	15	ns
Kick Hold	$t_{KH}$	15	ns
Stop Hold	$t_{SPH}$	15	ns
SCLK Period	$t_p$	62.5	ns

**ISL6590 Data Read Timing**

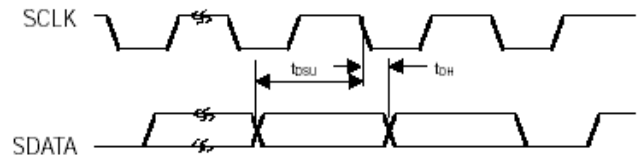


FIGURE 7. DATA READ TIMING

TABLE 9. DATA READ TIMING

TIMING NAME	PARAMETER	TYPICAL	UNITS
Data Setup	$t_{DSU}$	52	ns
Data Hold	$t_{DH}$	14	ns

**ISL6590 Data Write Protocol**

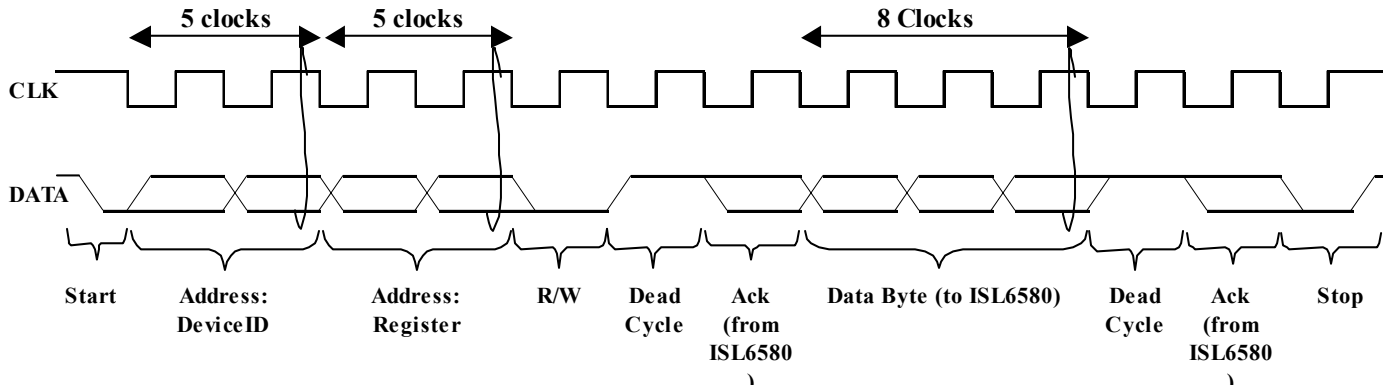


FIGURE 8. ISL6590 WRITE PROTOCOL

**ISL6590 Data Read Protocol**

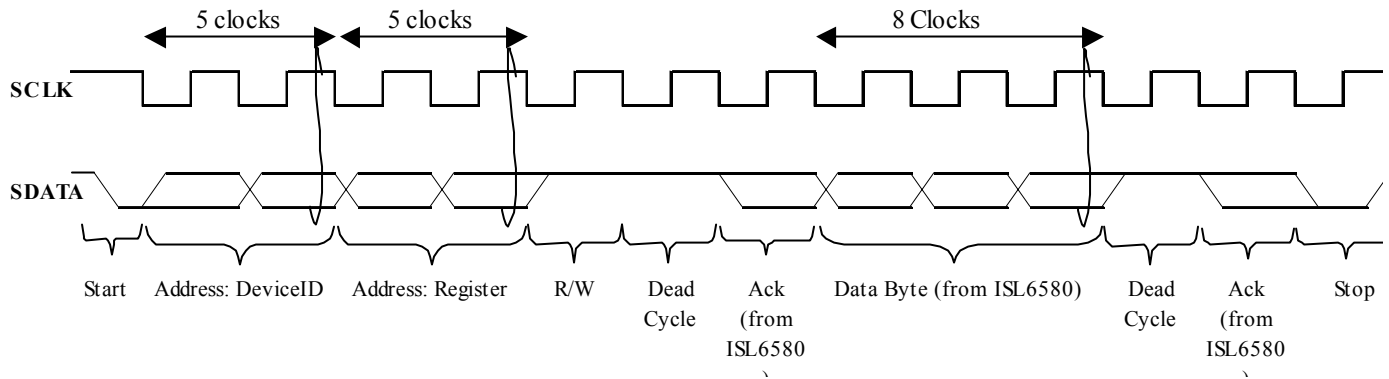


FIGURE 9. ISL6590 READ PROTOCOL

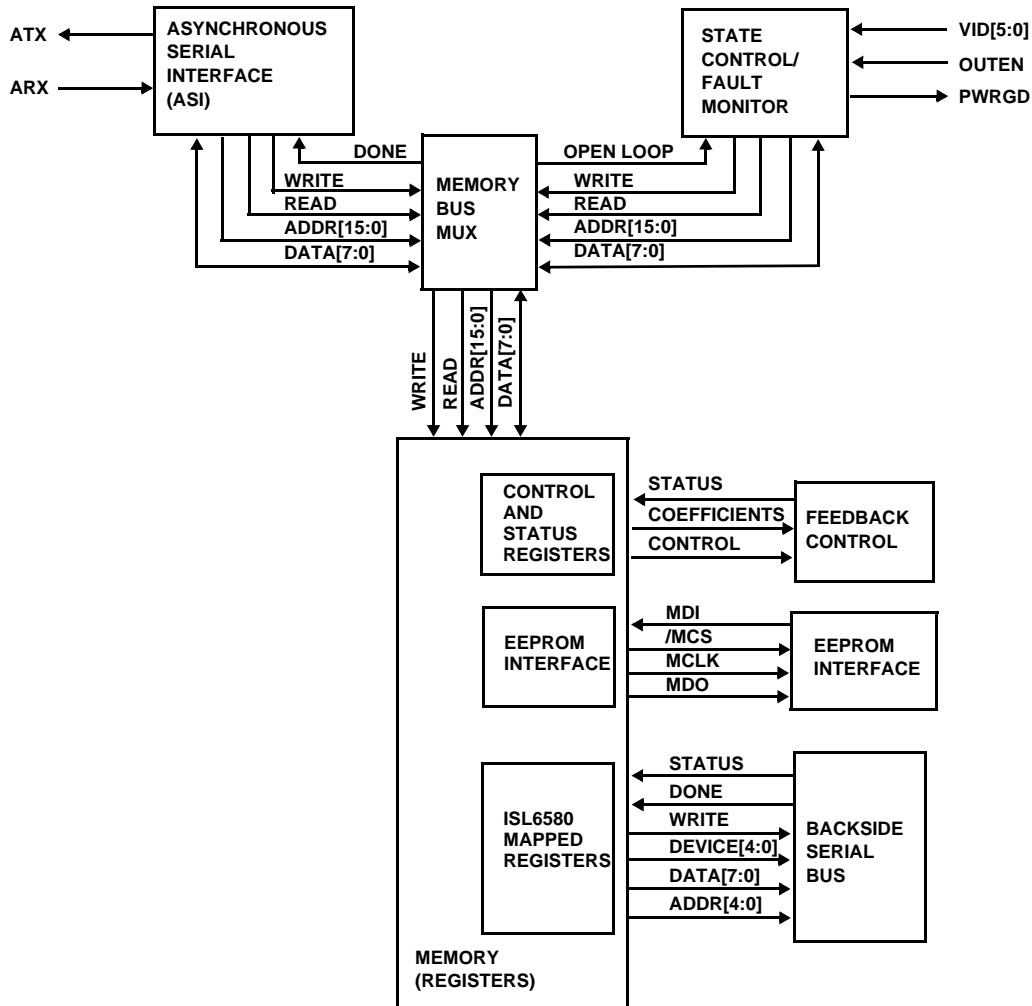


FIGURE 10. MEMORY INTERFACE DIAGRAM

**Backside Serial Bus (BSB)**

The transfer of data on the BSB consists of a start bit, 5 ID bits, 5 memory address bits, a read/write bit, an address acknowledge bit, 8 data bits, a data acknowledge bit, and a stop bit. The rate of transfer is set by the serial clock divider register.

Background polling of ISL6580 fault registers is performed using the BSB. The fault information is written to the ISL6590 local copies of the ISL6580 fault registers. ISL6580 control registers can be written to or read back from the ISL6590 memory via the BSB.

**Startup Process**

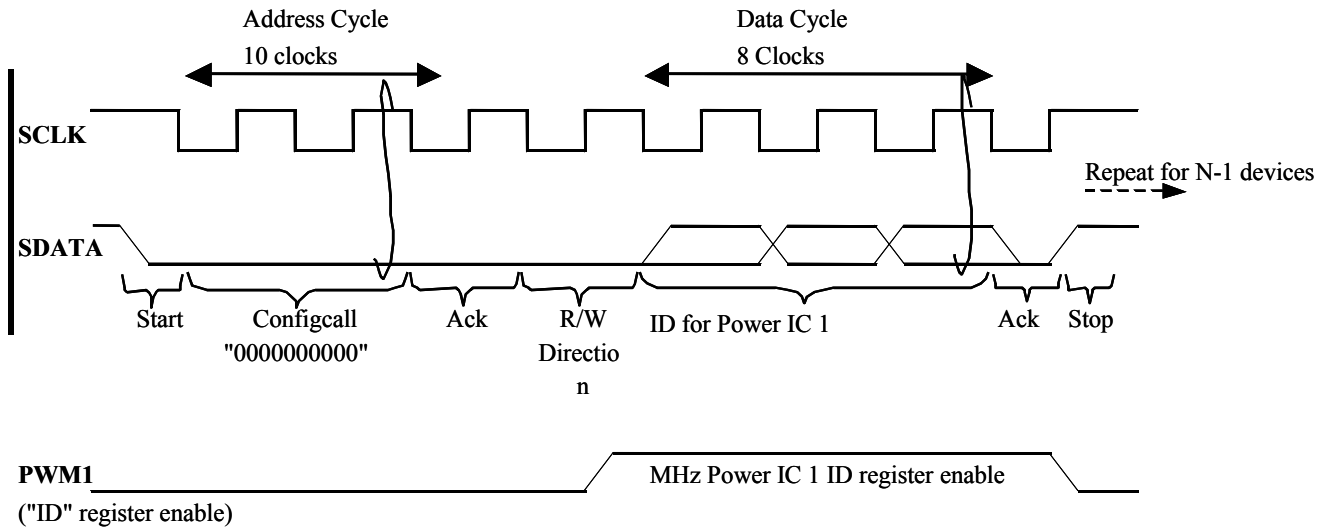
**ISL6580 Enumeration**

After power-up of the system, each installed ISL6580 is polled for its existence. This procedure involves the Controller to assert the PWM signal for a specific Power IC. If the specified Power IC is present, it will assert its signal to acknowledge seeing its PWM asserted. This sequence is

repeated for each Power IC that may be in the system. This process is known as Device Polling.

After this initial PWM polling is complete, the serial interface of each Power IC has to be configured with a device ID to be able to respond to serial commands later. This procedure involves issuing a “config call” which is to send a serial write command to global device ID ‘0’. During the data portion of the cycle, the Power IC to be configured has its PWM signal asserted by the Controller. This action allows the data bits that are sent from the Controller to be shifted into a device ID register within the Power IC. This process is known as Enumeration.

During enumeration, the address on the serial bus for each ISL6580 is uniquely defined according to Table 6. If an address acknowledge bit is not returned, the device is not used because it is either not present or not functional. The PWM signals are used to enable address writing to each ISL6580. Fault processing is disabled during enumeration.



MHz Power IC Configuration Process  
 First the master will initiate "config call" by sending a "10'h00" address  
 All of the slaves should "ACK" because every MHz Power IC register contains 0" after reset  
 The ID is then sent out during the data cycle.  
 The process is repeated until all (N) of the devices are configured.

FIGURE 11. ENUMERATION TIMING DIAGRAM

TABLE 10. SERIAL BUS ID MAPPING

BSB ID	DESCRIPTION
00h	"config call"
01h	Power IC 1
02h	Power IC 2
03h	Power IC 3
04h	Power IC 4
05h	Power IC 5
06h	Power IC 6
09-1Fh	Reserved

### ISL6580 Calibration

Prior to calibration, the status of each ISL6580 is checked. The input supply voltage is checked by polling the status of the under-voltage lockout in the status registers of the ISL6580s. Other faults are also checked. If a fault is detected during or after calibration, the system state may be frozen while fault processing takes over to resolve the error.

To calibrate the voltage ADC, the VID is set to the same voltage as the external VID setting. Voltage ADC calibration is initiated by setting the device that is hard wired for Regulation mode into calibration mode. This should be device #1. During calibration, any offset voltage internal to the ADC is output on the ERR serial line. The error is stored in the non-volatile memory. Then the ISL6590 changes the mode of the ISL6580 to normal operation and calibration is complete.

### ISL6580 Softstart

The system is slowly brought out of the no output voltage open loop state by sending a small PWM pulse width to the ISL6580s. A fixed time period and step size is used to bring the output voltage into the lower range of the voltage ADC. Once the voltage ADC begins reading voltage, a fixed  $V_{step}$  step size is used (25mV). After each  $V_{step}$  step is performed, the output voltage must settle within a  $\pm(V_{step}/2)$  mV window of the specified VID voltage before stepping to the next output voltage setting. The stepping continues until the final voltage is reached.

### Power On Reset

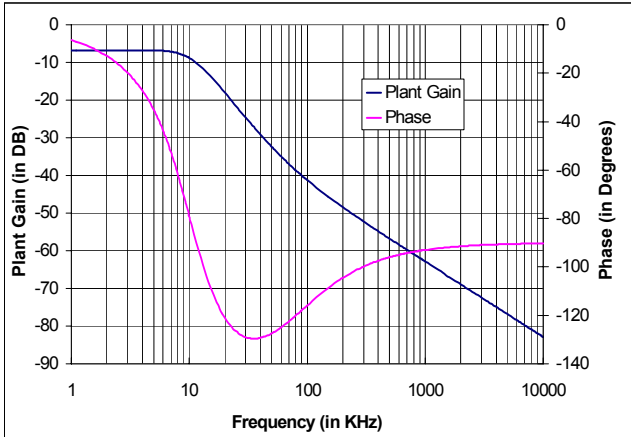
The ISL6590 controller performs a Power On Reset function internally. It holds all internal logic in a reset state until the  $V_{dd}$  (3.3V) exceeds a threshold. While in the reset state all PWM and NDRIVE signals are held at ground and all MOSFETs are OFF.

### Duty Cycle Limit

The ISL6590 limits the on time of the upper FETs. The system designer can set the maximum ON time with PowerCode software. The value is put in as a percentage. If the duty cycle reaches this percentage, the top side FET turns off until the next cycle.

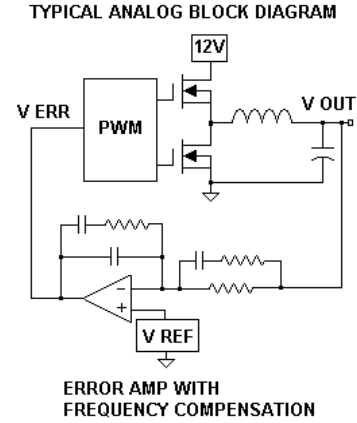
**Loop Compensation**

Any closed loop system must be designed to insure stability (prevent oscillation) and provide correct response to external events such as load transients. The output of a buck regulator has an inherent, low pass filter formed by the output inductor(s), output capacitance and their ESRs (Equivalent Series Resistance). Figure 12 shows a typical gain and phase plot of output inductors, capacitors and ESR.

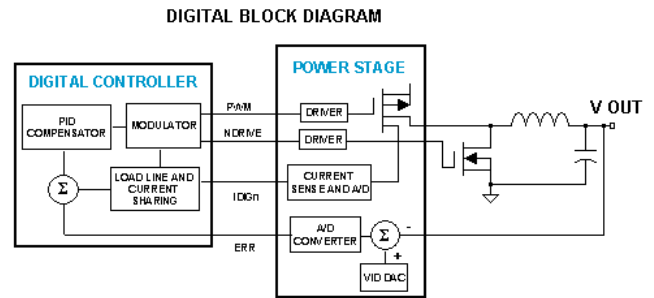


**FIGURE 12. FREQUENCY RESPONSE OF THE OUTPUT INDUCTORS AND CAPACITORS**

Above the resonant frequency of the output LC filter (10kHz in this case) the gain falls at a rate of 40dB/decade and the phase shift approaches -180 degrees. At a frequency above the  $F = 1/(2\pi C \cdot ESR) = 500\text{kHz}$  in this case) the gain slope changes to -20dB/decade and the phase shift approaches -90 degrees. In a closed loop control system, the output is subtracted from a reference voltage to produce an error voltage. The error voltage is amplified and fed to the output stage. In a buck regulator the output stage consists of a Pulse Width Modulator (PWM), switching transistors (typically MOSFETs), series inductor(s) and output capacitors. High gain feedback reduces variation in the output due to changes in input voltage, load current and component values. However, high gain at high frequencies can cause excessive over shoot in response to transients ( if phase shift > 120 degrees and gain > 0dB ) or oscillation ( if phase shift > 180 degrees and gain > 0dB ). The trade off in designing the loop compensation is to achieve fast response to transients without excessive overshoot or oscillation.

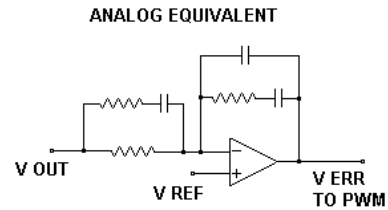


**FIGURE 13. TYPICAL ANALOG VOLTAGE LOOP BLOCK DIAGRAM**



**FIGURE 14. DIGITAL CONTROL LOOP BLOCK DIAGRAM**

The ISL6580 subtracts a reference from the output voltage to produce an error voltage. It converts the error voltage to a 6 bit digital number and sends it to the ISL6590 controller. The controller processes the error number numerically to provide gain (P)roportional, phase lag (I)ntegration and phase lead (D)erivative functions. This forms the digital PID control.



**FIGURE 15. TYPICAL ANALOG ERROR AMPLIFIER AND COMPENSATION**

Adjusting The Digital PID

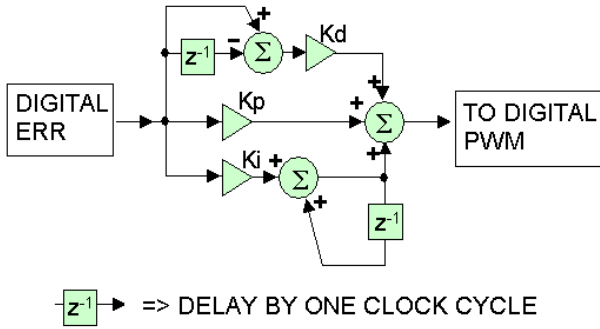
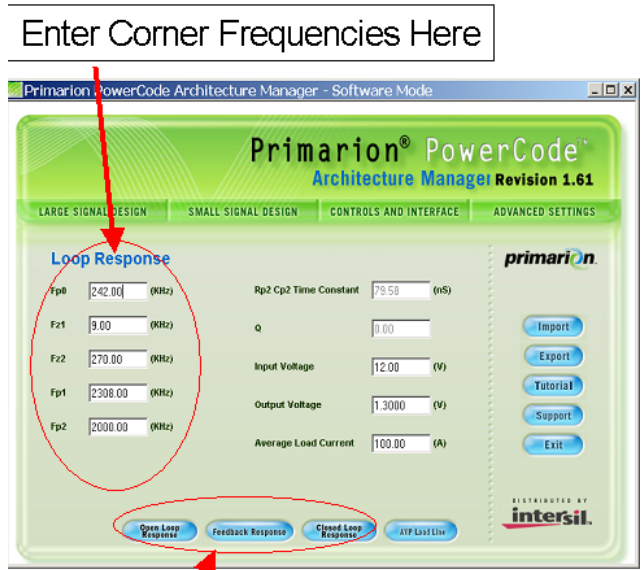


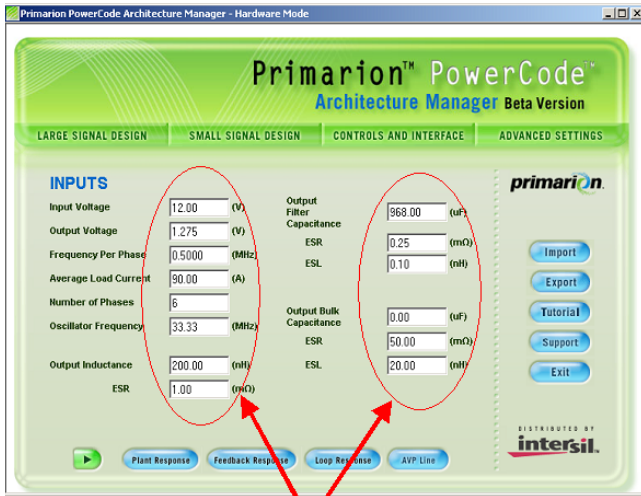
FIGURE 16. DIGITAL PID COMPENSATOR

Frequency response of the digital PID compensator is determined by the  $K_p$ ,  $K_i$ ,  $K_d$  factors. These factors are stored in nonvolatile memory and are loaded in the controller at power on reset. The system designer sets the PID compensators frequency response using user interface software. The designer enters the frequencies of the desired poles and zeros and user interface software calculates the  $K_p$ ,  $K_i$  and  $K_d$  factors. The software will calculate and display the frequency response of the feedback and the closed loop system.



Click Here to see a Calculation of Frequency Response

FIGURE 18. SMALL SIGNAL DESIGN WINDOW



Enter Design Parameters Used to calculate control settings written to the converter

FIGURE 17. DESIGN PARAMETER INPUT WINDOW

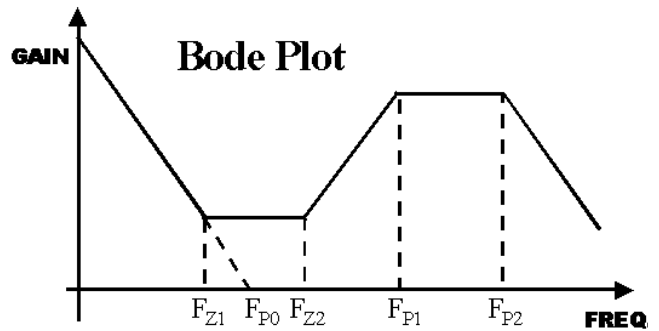


FIGURE 19. BODE PLOT

- $F_{Z1}$  = Frequency of first zero
- $F_{Z2}$  = Frequency of second zero
- $F_{P0}$  = Gain \* frequency of first pole ( $A_{DC} * F_{P0}$ )
- $F_{P1}$  = Frequency of second pole
- $R_{P2}$  = External Resistor used for third pole
- $C_{P2}$  = External Capacitor used for third pole
- $F_{P2} = 1 / (2 * \pi * R_{P2} * C_{P2})$

The software will calculate the frequency response of the PID controller and the closed loop system as in figures 20 and 21 below.



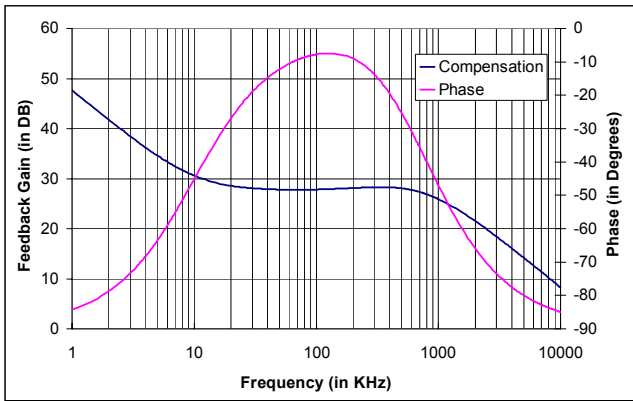


FIGURE 20. PID COMPENSATOR FREQUENCY RESPONSE

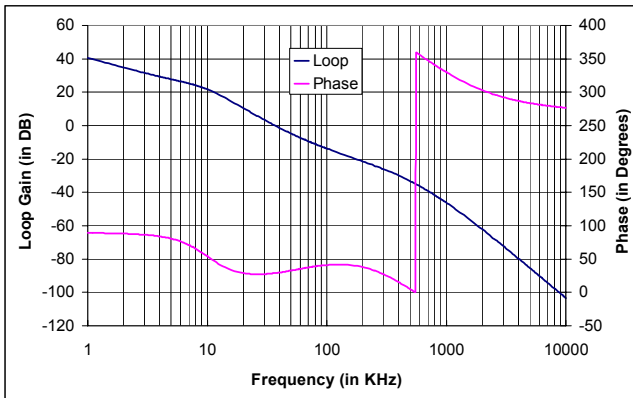


FIGURE 21. FREQUENCY RESPONSE OF THE CLOSED LOOP

### Compensation Methodology

Due to the user interface software interface, it is very easy to change the frequency compensation and see the resulting performance on a scope or network analyzer. Transient response is viewed by applying a transient load and monitoring the output voltage with a scope. Frequency response is viewed by placing a small resistor between the output and the feed back network, applying a small sine wave at the input to the feed back network and measuring the amplitude and phase shift of the resulting sine wave on the output. Sweeping the frequency produces plots similar to those above.

### Frequency Domain

It is recommended to place the first zero ( $F_{Z1}$ ) at the resonant frequency of the output inductors and capacitors ( $F = 1/(2\pi\sqrt{LC}) = 10\text{kHz}$  in this case). Then increase  $F_{Z2}$  and  $F_{P0}$  to maximize DC gain and the frequency at which gain drops below 0dB while keeping the phase margin above 60 degrees. Phase Margin is the difference between 180 degrees and the phase shift of the loop at the frequency where the gain drops below 0dB (cross over frequency). If the loops phase shift reaches 180 degrees and has gain equal to or greater than 0dB, it acts as positive feed back and the loop will oscillate. Even if the loops phase shift is

slightly below 180 degrees at the cross over frequency, the loop will respond to transients with overshoot and ringing. Loop phase shift between 90 and 120 degrees at the cross over frequency (Phase margin = 60 to 90 degrees) results in little or no over shoot and ringing. Large phase margins (>90 degrees) result in slower transient response.

### Time Domain

It is recommended to place the first zero ( $F_{Z1}$ ) at the resonant frequency of the output inductors and capacitors ( $F = 1/(2\pi\sqrt{LC}) = 10\text{kHz}$  in this case). Then increase  $F_{Z2}$  and  $F_{P0}$  to minimize response time over (under) shoot and ringing. The first microseconds of transient response are primarily dependant on the ESR and ESL of the output capacitors. After the affects of ESL and ESR pass the loop must control the response.

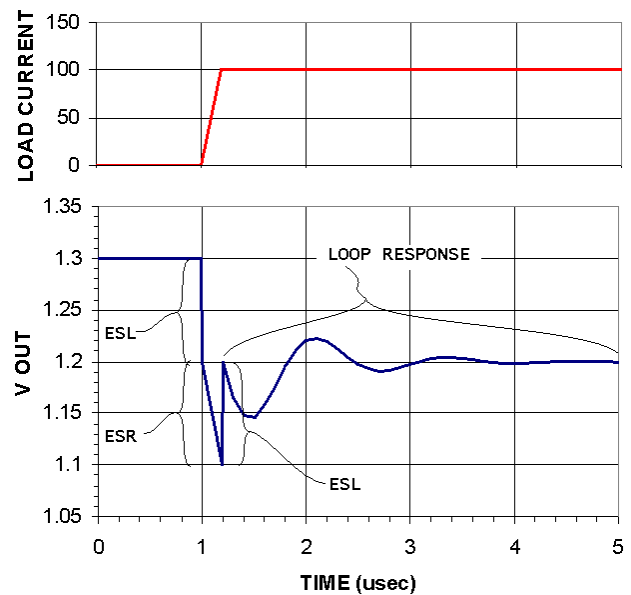


FIGURE 22. TYPICAL RESPONSE TO A LOAD TRANSIENT

### User Interface Software

The ISL6590 controller and the ISL6580 intelligent power stage have programmable values that can be changed using the User Interface Software. The loop configuration and system performance is adjusted using the software. The use of the software allows the engineer to evaluate the system performance without having to physically change components on the board. Primarion PowerCode user interface software (provided by Intersil and our partner Primarion).

Below are screen shots showing data entry points, pull down menus, buttons for help and a tutorial. The user interface software allows the designer to adjust the load line, frequency response, ATR and protection modes.

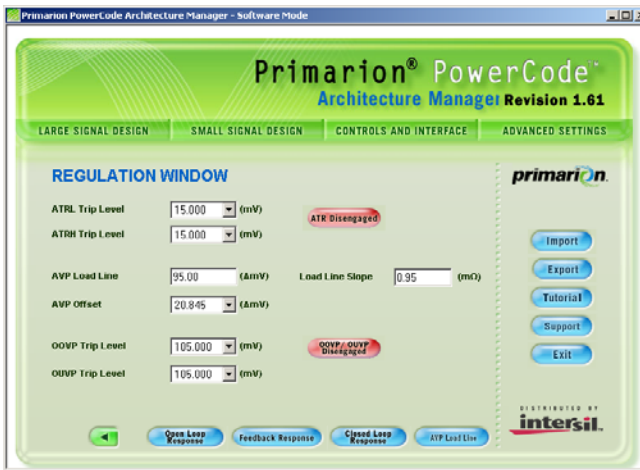


FIGURE 23. PRIMARION POWERCODE LOADLINE AND ATR SETTINGS



FIGURE 25. PRIMARION POWERCODE MONITOR WINDOW



FIGURE 24. PRIMARION POWERCODE LOOP RESPONSE SETTINGS



FIGURE 26. PRIMARION POWERCODE DESIGN INPUTS

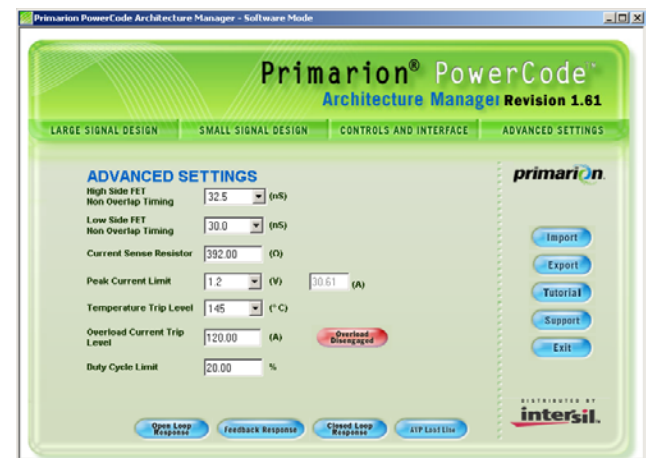


FIGURE 27. PRIMARION POWERCODE DUTY CYCLE LIMIT SELECTION

## Register Description Tables

TABLE 11. ISL6590 MEMORY MAP

ADDRESS RANGE	NAME	R/W/S (NOTE 1)	SIZE (BITS)
<b>VOLATILE MEMORY</b>			
<b>0000 - 01FF</b>	<b>General Control Registers</b>	<b>R/W/Ws<sup>1</sup></b>	<b>SIZE (bits)</b>
0000	Part Number (ASCII character #1)	R	8
0001	Part Number (ASCII character #2)	R	8
0002	Part Number (ASCII character #3)	R	8
0003	Part Number (ASCII character #4)	R	8
0004	Version Number (ASCII)	R	8
0005	Vendor Name (ASCII character #1)	R	8
0006	Vendor Name (ASCII character #2)	R	8
0007	Vendor Name (ASCII character #3)	R	8
0008	Vendor Name (ASCII character #4)	R	8
0009	Reserved		
000A	SPI Memory Status Register	R	3
000B	Reserved		
000C	Serial Polling Enable	R/W	1
000D	Reserved		
000E	System Status (LSB)	R/Ws	8
000F	System Status (MSB)	R/Ws	8
0010	Oscillator-In Frequency (LSB)	R	8
0011	Oscillator-In Frequency (MSB)	R	8
0012	State Control Status (LSB)	R/Ws	8
0013	State Control Status (MSB)	R/Ws	8
0014	Reserved		
0015	Reserved		
0016 – 00EF	Reserved		
00F0	Scratchpad	R/W	8
00F1 – 00FF	Reserved		
0100 - 01FF	Reserved		
<b>0200 - 02FF</b>	<b>Control/Status Registers</b>	<b>R/W/Ws<sup>1</sup></b>	<b>Size (bits)</b>
0200	Reserved		
0201	Feedback Loop Control	R/W	6
0202	Open Loop PID (LSB)	R/W	8
0203	Open Loop PID (MSB)	R/W	7
0204 – 0205	Reserved		
0206	ATR Control	R/W	4
0207	Phases Used	R	4
0208	Phase Enables	R/W	8
209	Reserved		

# ISL6590

**TABLE 11. ISL6590 MEMORY MAP (Continued)**

ADDRESS RANGE	NAME	R/W/S (NOTE 1)	SIZE (BITS)
020A	VID_IN_SOFT	R/W	6
020B	Alive Found	R	8
020D	Reserved		
020E	VCODE_IN	R	8
020F	VCODE_OUT	R/W	8
0210	Enumeration Control	R/W	3
0211	Enumeration Done	R	4
0212	VID_IN (from VID pins)	R	6
0213	OUTEN (from OUTEN pin)	R	1
0214	PWRGD	R	1
0215	VID_OUT	R	7
0216	Voltage Error	R	6
0217	Average Peak Channel Current	R	6
0218	Overload	R	8
0219	AVP Offset	R	8
021A	Voltage Calibration Offset	R/W	5
021B	Regulated	R	1
021C – 21F	Reserved		
0220	Peak Channel Current – Phase 1	R	6
0221	Peak Channel Current – Phase 2	R	6
0222	Peak Channel Current – Phase 3	R	6
0223	Peak Channel Current – Phase 4	R	6
0224	Peak Channel Current – Phase 5	R	6
0225	Peak Channel Current – Phase 6	R	6
0226	Peak Channel Current – Phase 7	R	6
0227	Peak Channel Current – Phase 8	R	6
0228 – 022F	Reserved		
0230	On Time – Phase 1 (upper 8 bits)	R	8
0231	On Time – Phase 2 (upper 8 bits)	R	8
0232	On Time – Phase 3 (upper 8 bits)	R	8
0233	On Time – Phase 4 (upper 8 bits)	R	8
0234	On Time – Phase 5 (upper 8 bits)	R	8
0235	On Time – Phase 6 (upper 8 bits)	R	8
0236	On Time – Phase 7 (upper 8 bits)	R	8
0237	On Time – Phase 8 (upper 8 bits)	R	8
0238 – 02FF	Reserved		
<b>0300 - 03FF</b>	<b>Reserved</b>		
<b>0400 – 07FF</b>	<b>Broadcast Write Memory Map</b>	<b>R/W/Ws<sup>1</sup></b>	<b>Size (bits)</b>
0400	Reserved		

TABLE 11. ISL6590 MEMORY MAP (Continued)

ADDRESS RANGE	NAME	R/W/S (NOTE 1)	SIZE (BITS)
0401	Reserved		
0402	HFWND (High ATR Window)	W	4
0403	LFWND (Low ATR Window)	W	4
0404	VID (7 bit Voltage Identification)	W	7
0405	ILIM (Current Limit)	W	2
0406	TSD (Thermal Shutdown)	W	3
0407	Reserved		
0408	TEST	W	8
0409	ENABLE1 (Block Enables LSB)	W	8
040A	ENABLE2 (Block Enables MSB)	W	3
040B	SPARE1	W	8
040C	SPARE2	W	8
040D – 041F	Reserved		
	<b>Device 1 Memory Map</b>	<b>R/W/Ws<sup>1</sup></b>	<b>SIZE (bits)</b>
0420	Reserved		
0421	Bus ID	R	4
0422	HFWND (High ATR Window)	R/W	4
0423	LFWND (Low ATR Window)	R/W	4
0424	VID (7 bit Voltage Identification)	R/W	7
0425	ILIM (Current Limit)	R/W	2
0426	TSD (Thermal Shutdown)	R/W	3
0427	FAULT (Fault Status)	R	6
0428	TEST	R/W	8
0429	ENABLE1 (Block Enables LSB)	R/W	8
042A	ENABLE2 (Block Enables MSB)	R/W	3
042B	SPARE1	R/W	8
042C	SPARE2	R/W	8
0440 – 07FF	Device n to 31 Memory Map (structure as Device 1)		
<b>NON-VOLATILE MEMORY</b>			
<b>0800 – 09FF</b>	<b>General Settings</b>	<b>R/W/Ws<sup>1</sup></b>	<b>Size (bits)</b>
0800	NVMEMCODE	R/W	8
0801	Serial Clock Divider	R/W	3
0802	VID_IN Table Select	R/W	2
0803	VID_OUT Table Select	R/W	2
0804	OffOn Non-Overlap Driver Control	R/W	4
0805	OnOff Non-Overlap Driver Control	R/W	4
0806	Duty Limit	R/W	8
0807	System Configuration	R/W	3
0808	Reserved	R/W	5

TABLE 11. ISL6590 MEMORY MAP (Continued)

ADDRESS RANGE	NAME	R/W/S (NOTE 1)	SIZE (BITS)
0809	A/D ID	R/W	5
080A	WCOMP ID	R/W	5
080B	OUIV ID	R/W	5
080C	MG Poll Priority	R/W	7
080D	State Control	R/W	6
080E	Reserved	R/W	2
080F	Phases to be Used	R/W	8
0810	POR Wait	R/W	5
0811	Regulation Window	R/W	6
0812	Regulation Time	R/W	8
0813	Voltage Calibration Maximum	R/W	6
0814	Reserved	R/W	8
0815	Startup Fault Mask	R/W	7
0816	Startup Enables 1	R/W	8
0817	Startup Enables 2	R/W	5
0818	Active Fault Mask	R/W	7
0819	Active Enables 1	R/W	8
081A	Active Enables 2	R/W	5
081B	Active Feature Mask	R/W	1
081C	Reserved		
081D	Current Limit	R/W	6
081E – 083F	Reserved		
0840	ATR Exit Delay	R/W	5
0841	ATR Count Max (LSB)	R/W	8
0842	ATR Count Max (MSB)	R/W	1
0843	PVID Offset	R/W	4
0844 – 086F	Reserved		
0870 – 08FF	Reserved		
<b>Address Range</b>	<b>General Control Registers</b>	<b>R/W/Ws1</b>	<b>Size (bits)</b>
Phase # Independent Compensation Parameters			
0900	Kp AVP	R/W	8
0901	Kd AVP	R/W	8
0902	Kp PID	R/W	6
0903	Ki PID	R/W	8
0904	Kd Transient Recovery	R/W	8
0905	Vos AVP	R/W	6
0906	Ios AVP	R/W	8
0907	Kfp PID	R/W	6
0908	Kfd PID	R/W	6

# ISL6590

**TABLE 11. ISL6590 MEMORY MAP (Continued)**

ADDRESS RANGE	NAME	R/W/S (NOTE 1)	SIZE (BITS)
Phase # Dependent Compensation Parameters			
0909	K Current Balancing	R/W	8
090A	Kd PID	R/W	8
090B	HFWND	R/W	4
090C	LFWND	R/W	4
090D	OUVPLF	R/W	4
090E	OOVPHF	R/W	4
090F	ILIM (not phase # dependent)	R/W	2
0910	Reserved		
0911	Reserved		
0912	Switching Frequency Phases=1 (LSB)	R/W	8
0913	Switching Frequency Phases=1 (MSB)	R/W	4
0914	Switching Frequency Phases=2 (LSB)	R/W	8
0915	Switching Frequency Phases=2 (MSB)	R/W	4
0916	Switching Frequency Phases=3 (LSB)	R/W	8
0917	Switching Frequency Phases=3 (MSB)	R/W	4
0918	Switching Frequency Phases=4 (LSB)	R/W	8
0919	Switching Frequency Phases=4 (MSB)	R/W	4
091A	Switching Frequency Phases=5 (LSB)	R/W	8
091B	Switching Frequency Phases=5 (MSB)	R/W	4
091C	Switching Frequency Phases=6 (LSB)	R/W	8
091D	Switching Frequency Phases=6 (MSB)	R/W	4
091E	Switching Frequency Phases=7 (LSB)	R/W	8
091F	Switching Frequency Phases=7 (MSB)	R/W	4
0920	Switching Frequency Phases=7 (LSB)	R/W	8
0921	Switching Frequency Phases=7 (MSB)	R/W	4
0922 – 093F	Reserved		
0940	Custom VID2VCODE0 LUT Entry	R/W	8
0941 – 097F	Custom VID2VCODE1 to VID2VCODE63 LUT Entries	R/W	8
<b>0980 – 09FF</b>	<b>Reserved for User</b>	<b>R/W/Ws<sup>1</sup></b>	<b>SIZE (bits)</b>
0A00 – FFFF	Reserved		

**TABLE 12. SECOND SOURCE INFORMATION**

PART NUMBER	TEMP. (°C)	PACKAGE	PKG. NO
Primarion PX3530	0 to 85	64 Ld QFN	L64.9x9

All Intersil U.S. products are manufactured, assembled and tested utilizing ISO9000 quality systems.  
Intersil Corporation's quality certifications can be viewed at [www.intersil.com/design/quality](http://www.intersil.com/design/quality)

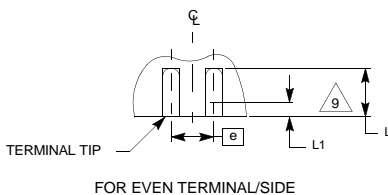
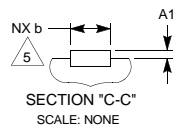
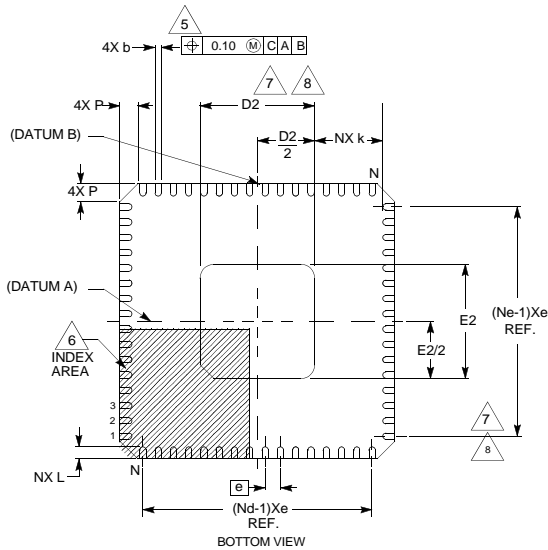
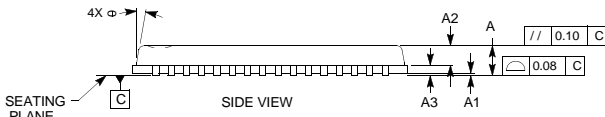
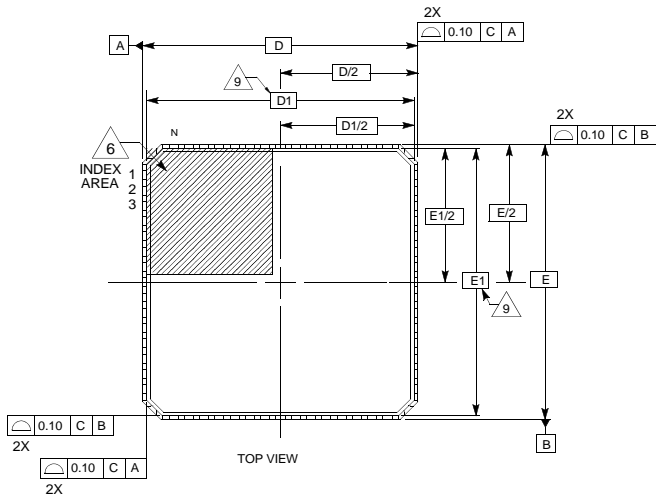
*Intersil products are sold by description only. Intersil Corporation reserves the right to make changes in circuit design, software and/or specifications at any time without notice. Accordingly, the reader is cautioned to verify that data sheets are current before placing orders. Information furnished by Intersil is believed to be accurate and reliable. However, no responsibility is assumed by Intersil or its subsidiaries for its use; nor for any infringements of patents or other rights of third parties which may result from its use. No license is granted by implication or otherwise under any patent or patent rights of Intersil or its subsidiaries.*

For information regarding Intersil Corporation and its products, see [www.intersil.com](http://www.intersil.com)

**Quad Flat No-Lead Plastic Package (QFN)  
Micro Lead Frame Plastic Package (MLFP)**

**L64.9x9-S**

**64 LEAD QUAD FLAT NO-LEAD PLASTIC PACKAGE**



SYMBOL	MILLIMETERS			NOTES
	MIN	NOMINAL	MAX	
A	0.70	0.75	0.80	-
A1	-	-	0.05	-
A2	-	0.50	-	-
A3	0.25 REF			-
b	0.18	0.20	0.30	5, 8
D	9.00 BSC			-
D1	8.75 BSC			-
D2	3.64	3.74	3.84	7, 8
E	9.00 BSC			-
E1	8.75 BSC			-
E2	3.64	3.74	3.84	7, 8
e	0.50 BSC			-
k	0.25	-	-	-
L	0.30	0.40	0.50	8
L1	-	-	0.15	9
N	64			2
Nd	16			3
Ne	16			3
P	-	-	0.50	-
θ	-	-	8	-

Rev. 0 04/03

**NOTES:**

1. Dimensioning and tolerancing conform to ASME Y14.5-1994.
2. N is the number of terminals.
3. Nd and Ne refer to the number of terminals on each D and E.
4. All dimensions are in millimeters. Angles are in degrees.
5. Dimension b applies to the metallized terminal and is measured between 0.15mm and 0.30mm from the terminal tip.
6. The configuration of the pin #1 identifier is optional, but must be located within the zone indicated. The pin #1 identifier may be either a mold or mark feature.
7. Dimensions D2 and E2 are for the exposed pads which provide improved electrical and thermal performance.
8. Nominal dimensions are provided to assist with PCB Land Pattern Design efforts, see Intersil Technical Brief TB389.
9. Depending on the method of lead termination at the edge of the package, a maximum 0.15mm pull back (L1) maybe present. L minus L1 to be equal to or greater than 0.3mm.