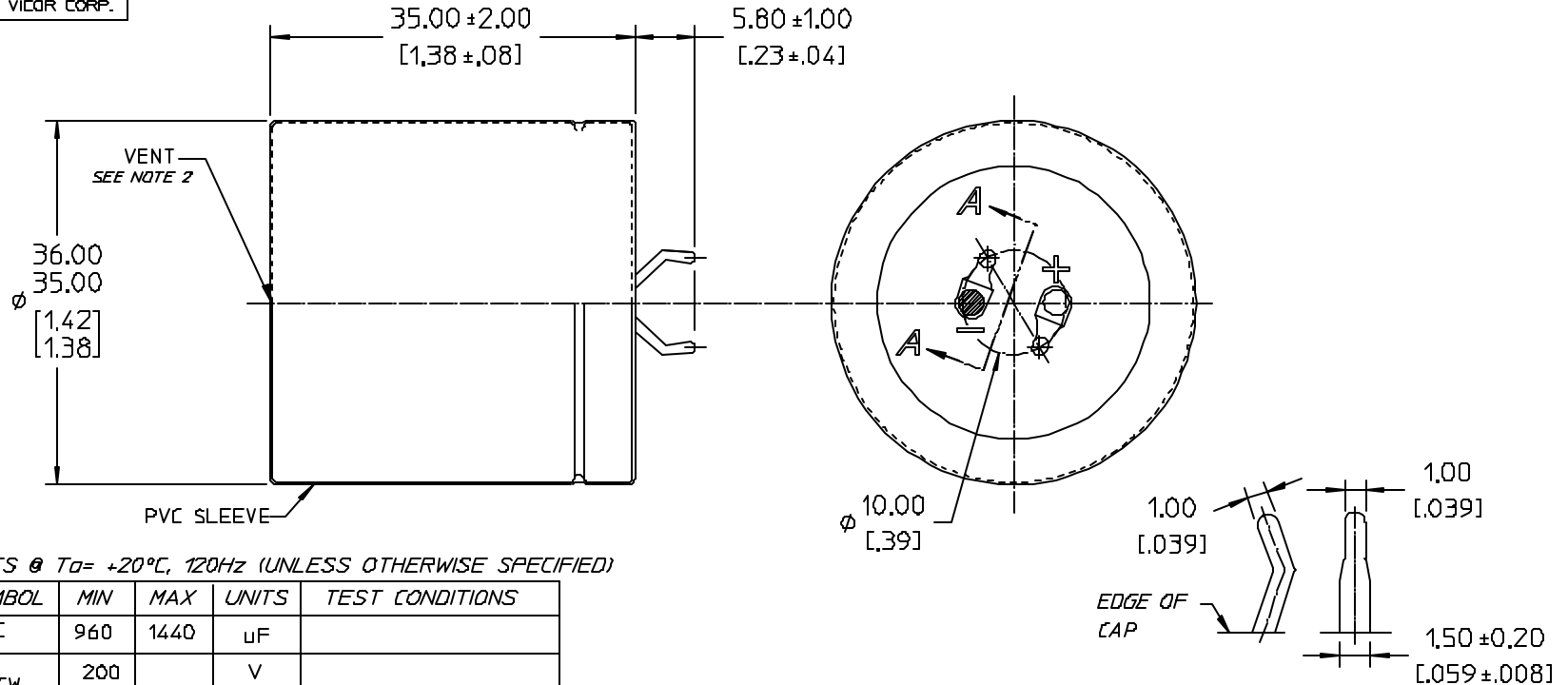


**VICOR CONFIDENTIAL**

THIS DOCUMENT AND THE DATA DISCLOSED HEREIN OR HERewith IS NOT TO BE REPRODUCED, USED, OR DISCLOSED IN WHOLE OR IN PART TO ANYONE WITHOUT PERMISSION OF VICOR CORP.

REV	DESCRIPTION	DATE	APPROVED
01	RELEASED PER E0230174	PEI 4/29/02	JMR



**ELECTRICAL CHARACTERISTICS @ Ta= +20°C, 120Hz (UNLESS OTHERWISE SPECIFIED)**

PARAMETER	SYMBOL	MIN	MAX	UNITS	TEST CONDITIONS
CAPACITANCE	C	960	1440	µF	
WORKING VOLTAGE	V <sub>DCW</sub>	200		V	
SURGE VOLTAGE	V <sub>SURGE</sub>		250	V	
LEAKAGE CURRENT	I <sub>DCL</sub>		3.0	mA	after 5 MIN @ +20°C
DISSIPATION FACTOR	tan δ		0.15		
EQUIVALENT SERIES RESISTANCE	ESR		0.120 TYP	Ω	
RIPPLE CURRENT	I <sub>RIPPLE</sub>		2.5	Arms	Ta= +105°C
OPERATING TEMPERATURE RANGE	T <sub>OP</sub>	-25	+105	°C	

**NOTES:**

1. MATERIAL: ALUMINUM ELECTROLYTIC.
2. VENT MAY BE LOCATED ON EITHER SIDE OR BOTTOM OF CAP.
3. FOR ADDITIONAL SPECS & DIMENSIONS- CONTACT VENDOR & CHECK DATA SHEET.

**VIEW A-A**  
(2X PIN DIMS)  
SCALE: 4X

**MAXIMUM PERMISSIBLE RIPPLE CURRENT**

**FREQUENCY MULTIPLIER**

**TEMPERATURE MULTIPLIER**

FREQUENCY IN Hz					
50	120	300	1K	10K	100K
0.81	1	1.17	1.32	1.45	1.50

TEMPERATURE	+45°C	+60°C	+70°C	+85°C	+105°C
MULTIPLIER	2.64	2.23	2.12	1.73	1.00

DRAWN BY <b>D.P. KELLY</b>	DATE <b>1/02</b>
-------------------------------	---------------------

UNLESS OTHERWISE SPECIFIED DIMENSIONS ARE IN MM(IN)- TOLERANCES ARE  
 DECIMALS ANGLES  
 XX- ± 0.254 (01) ± 1°  
 XXX- ± 0.127 (005)

THIRD ANGLE PROJECTION	DD NOT SCALE DRAWING
------------------------	----------------------



**CAPACITOR, ALAL, RADIAL,  
1200µF, ±20%, 200V**

SIZE <b>B</b>	FSCM NO. <b>67131</b>	DWG NO <b>16874</b>	REV <b>01</b>
SCALE <b>2X</b>	SHEET <b>1</b> OF <b>1</b>		