

MICRO

ELECTRONICS

MG336A
MG336C

0.36" THREE DIGIT
NUMERIC DISPLAYS

SEVEN SEGMENT NUMERIC DISPLAY

High Performance GaP/GaAsP
 0.36 inch Character Height
 High Contrast
 Wide Viewing Angle
 Common Anode - MG336A
 Common Cathode - MG336C

ABSOLUTE MAXIMUM RATINGS

Power Dissipation / Segment	75mW
Peak Forward Current / Segment	100mA
Continuous Forward Current / Segment	25mA
Reverse Voltage / Segment	5V
Operating Temperature Range	-25 to +85°C
Storage Temperature Range	-25 to +85°C

* Note : Pulse Width = 1mS, Duty Ratio = 1/10.

ELECTRO-OPTICAL CHARACTERISTICS (Ta=25°C) / segment

PARAMETER	SYMBOL	MIN	TYP	MAX	UNIT	CONDITIONS
Forward Voltage	VF			3.0	V	IF=20mA
Luminous Intensity	IV	1	2		mcd	IF=10mA
Segment to Segment Luminous Intensity Ratio				2:1		IF=20mA
Peak Wavelength	λ_p		565		nm	IF=20mA
Spectral Line Half Width	$\Delta\lambda$		35		nm	IF=20mA



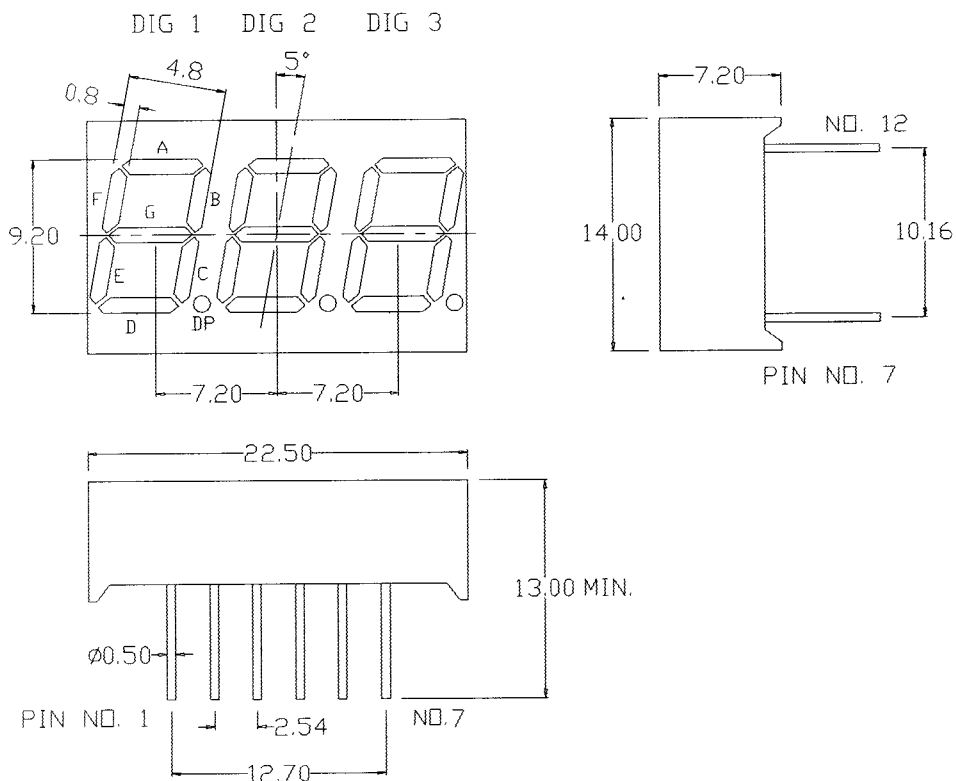
MICRO ELECTRONICS LTD.

38, Hung To Road, Microtron Building, Kwun Tong, Kowloon, Hong Kong.
Kwun Tong P.O. Box 69477 Hong Kong. Fax No. 2341 0321 Telex:43510 Micro Hx. Tel: 2343 0181-5

May-96

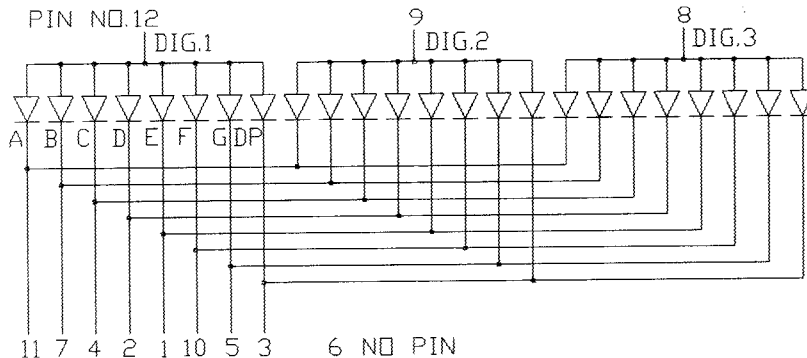
MG336

MECHANICAL OUTLINE:



CIRCUIT DIAGRAM:

(1) COMMON ANODE



(2) COMMON CATHODE

