

Am2833/2533

1024-Bit Static Shift Registers

Distinctive Characteristics

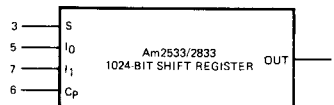
- Second source to Signetics 2533
- All inputs are low-level DTL/TTL compatible
- Static operation with single clock input.
- 100% reliability assurance testing in compliance with MIL-STD-883.
- DC to 2.0MHz operation with Am2833

FUNCTIONAL DESCRIPTION

The Am2533/2833 is a quasi-static 1024-bit MOS shift register using low-threshold P-channel silicon gate technology.

The device has a single TTL/DTL compatible clock input, Cp. Data in the register is stored in static, cross-coupled latches while the clock is LOW, so that the clock may be stopped indefinitely in the LOW state. When the clock shifts from LOW to HIGH to LOW a dynamic transfer of data occurs from one static latch to the next. The input of the register is a two-input multiplexer with both data inputs available. A select line, S, determines whether data will be accepted from the I₀ input (S = LOW) or the I₁ input (S = HIGH). The register can be placed in the recirculate mode by tying the output, O, to one of the data inputs, and using the select line as a write/recirculate control. The Am2833 is functionally identical to the Am2533 but has superior performance over an extended temperature range.

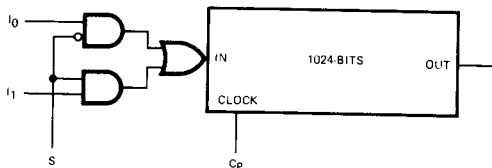
LOGIC SYMBOL



V_{CC} = Pin 8
V_{GG} = Pin 2
V_{DD} = Pin 4

MOS-429

LOGIC DIAGRAM

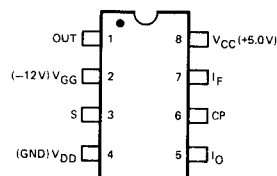


MOS-430

ORDERING INFORMATION

Package Type	Temperature Range	Am2533 Order Number	Am2833 Order Number
Molded DIP	0°C to +70°C	AM2533V	AM2833PC
Hermetic DIP	0°C to +70°C	AM2533DC	AM2833DC
Hermetic DIP	-55°C to +125°C		AM2833DM

CONNECTION DIAGRAM Top View



Note: Pin 1 marked for orientation

MOS-431

MAXIMUM RATING (Above which the useful life may be impaired)

Storage Temperature	-65°C to +150°C
Temperature (Ambient) Under Bias	-55°C to +125°C
V _{DD} Supply Voltage	V _{CC} -20V to V _{CC} +0.3V
V _{GG} Supply Voltage	V _{CC} -20V to V _{CC} +0.3V
DC Input Voltage	V _{CC} -20V to V _{CC} +0.3V

OPERATING RANGE

Part No.	Temperature	V _{CC}	V _{GG}	V _{DD}
Am2833PC/Am2533PC Am2833DC/Am2533DC	0°C to +70°C	5.0V ±5%	-12V ±5%	0V
Am2833DM	-55°C to +125°C	5.0V ±5%	-12V ±5%	0V

ELECTRICAL CHARACTERISTICS OVER OPERATING RANGE (Unless Otherwise Noted)

Parameters	Description	Test Conditions	Min.	Typ. (Note 1)	Max.	Units
V _{OH}	Output HIGH Voltage	V _{CC} = MIN., I _{OH} = -100μA	2.4	3.5		Volts
V _{OL}	Output LOW Voltage	V _{CC} = MIN., I _{OL} = 1.6mA		0.2	0.4	Volts
V _{IH}	Input HIGH Level	Guaranteed input logical HIGH voltage for all inputs	V _{CC} -1 (Note 3)		V _{CC} +0.3	Volts
V _{IL}	Input LOW Level	Guaranteed input logical LOW voltage for all inputs	V _{GG}		0.8	Volts
I _{IL}	Input LOW Current	V _{CC} = MAX., V _{IN} = 0V, T _A = 25°C		10	500	nA
I _{IH}	Input HIGH Current	T _A = 25°C, V _{IN} = V _{CC} -1.0 (Note 3)	-150	-300		μA
I _{IT}	Peak input transition current (Note 3)	1.5 ≤ V _{SS} - V _{IN} ≤ 4.0, T _A = 25°C			-1.6	mA
V _I max	Voltage at maximum input current	T _A = 25°C	V _{SS} -4.0	V _{SS} -3.0	V _{SS} -1.5	V
I _{CC}	V _{CC} Power Supply Current	f = 1.5MHz	Am2533	16	30	mA
		f = 2.0MHz	Am2833PC, DC	16	54	
			Am2833DM	20	70	
I _{GG}	V _{GG} Power Supply Current	f = 1.5MHz	Am2533	-5.0	-7.5	mA
		f = 2.0MHz	Am2833PC, DC	-5.0	-14	
			Am2833DM	-7.0	-18	

Notes: 1. Typical limits are at V_{CC} = 5.0V, V_{GG} = -12V, 25°C ambient.

2. Power supply currents are with inputs and outputs open.

3. A special input pull-up circuit becomes active at V_{IN} = V_{SS} -3.5V to pull the internal input node up to the MOS threshold. To return the internal node to the LOW state, current must be drawn from the MOS input. This current is maximum at approximately 2.0V.

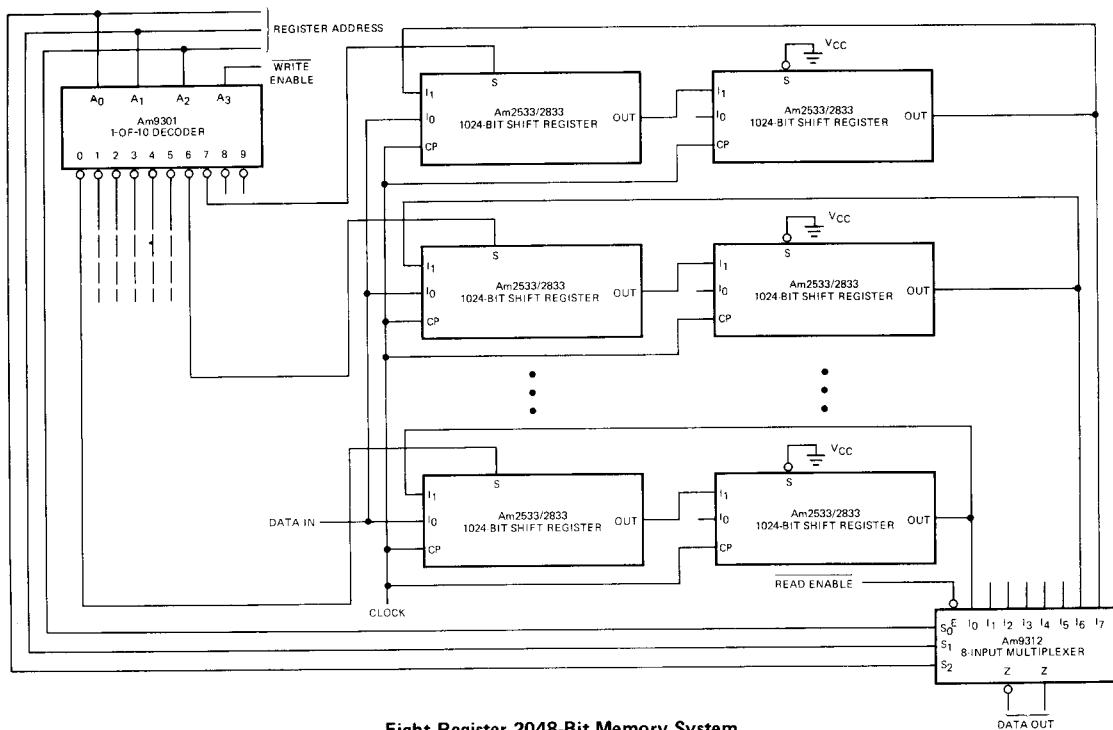
SWITCHING CHARACTERISTICS OVER OPERATING RANGE (Unless Otherwise Noted)

Parameters	Description	Test Conditions	Am2533		Am2833		Units
			Min. (Note 1)	Max.	Min. (Note 1)	Max.	
f _{max}	Maximum Clock Frequency		1.5	2.0	2.0	3.0	MHz
t _{φpwL}	Clock LOW Time		0.250	∞	0.200	∞	μs
t _{φpwH}	Clock HIGH Time		0.350	100	0.250	100	μs
t _r , t _f	Clock Rise and Fall Times			1		1	μs
t _{s(L)}	Set-up Time, I _Q or I ₁ Input (see definitions)	t _r = t _f ≤ 25ns	50		50		ns
t _{h(L)}	Hold Time, I _Q or I ₁ Input (see definitions)		50		50		ns
t _{s(S)}	Set-up Time, S Input (see definitions)		80		80		ns
t _{h(S)}	Hold Time, S Input (see definitions)		50		50		ns
t _{pd}	Delay, Clock to Output LOW or HIGH	R _L = 2.9k, C _L = 20pF		300		300	ns
t _{pr} , t _{pf}	Output Rise and Fall Times	10% to 90%		150		150	ns
C _{in}	Capacitance, Any Input (Note 2)	f = 1MHz, V _{IN} = V _{CC}		3		5	pF

Notes: 1. Typical limits are at V_{CC} = 5.0V, V_{GG} = -12.0V and T_A = 25°C

2. This parameter is periodically sampled but not 100% tested. It is guaranteed by design.

APPLICATIONS



Eight Register 2048-Bit Memory System

Data enters one of the eight 2048-bit registers when the write enable input to the decoder is LOW. The addressed register will accept the data on the data input; the other seven registers will recirculate their data. Outputs are driven directly into an Am9312 8-input multiplexer. Obviously, the read and write registers need not be the same.

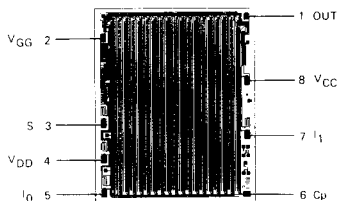
MOS-434

TRUTH TABLE

S	I ₀	I ₁	Data Entered
L	L	X	L
L	H	X	H
H	X	L	L
H	X	H	H

H = HIGH Voltage level
 L = LOW Voltage Level
 X = Don't Care

Metallization and Pad Layout



DIE SIZE: 0.133" X 0.163"

5