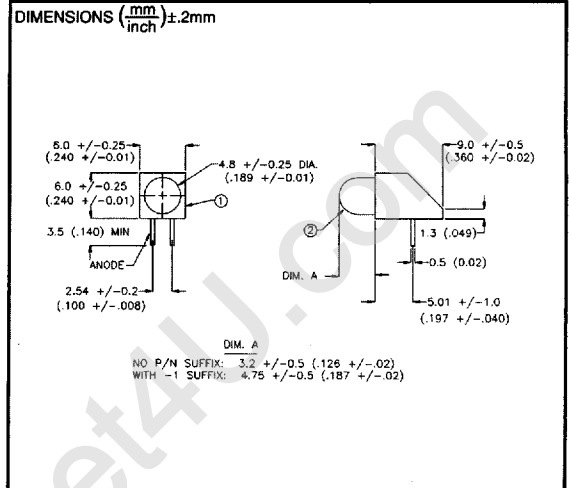


SSF-LXH100XX SERIES T-5mm P.C. MOUNT LED

FEATURES		APPLICATIONS		MATERIAL SPECIFICATIONS		
<ul style="list-style-type: none"> • Easy P.C. Installation • Snap-together Design • Choice of Colors, Current • Blinking Type Option 		<ul style="list-style-type: none"> • Fault Indicator • Back Lighting Indicator • P.C. Mount Indicators 		<ul style="list-style-type: none"> • Holder: Black Nylon • Termination: 0.5mm □ Leads • Installation: P.C. Mount/Solder 		
LUMEX PART NBR	EMITTED COLOR	OPERATING CURRENT (mA)	OPERATING TYP Volts (V)	BRIGHTNESS TYP (mCD) @ mA	LED SERIES USED	
SSF-LXH100ID	RED	635	10-25	2.1	8	20 SSL-LX507F3XX
SSF-LXH100SRD	RED	660	10-25	1.7	40	20 SSL-LX507F3XX
SSF-LXH100GD	GREEN	565	10-25	2.1	8	20 SSL-LX507F3XX
SSF-LXH100YD	YELLOW	585	10-25	2.1	8	20 SSL-LX507F3XX
BI-COLOR OPTION						
SSF-LXH100HW	RED/GREEN	695/565	10-25	2.1	6/6	20 SSL-LX507F3XX
LOW CURRENT OPTIONS						
SSF-LXH100LID	RED	635	1-5	1.8	1.4	2 SSL-LX507F3XX
SSF-LXH100LGD	GREEN	565	1-5	1.8	1.4	2 SSL-LX507F3XX
SSF-LXH100LYD	YELLOW	585	1-5	1.8	1.4	2 SSL-LX507F3XX

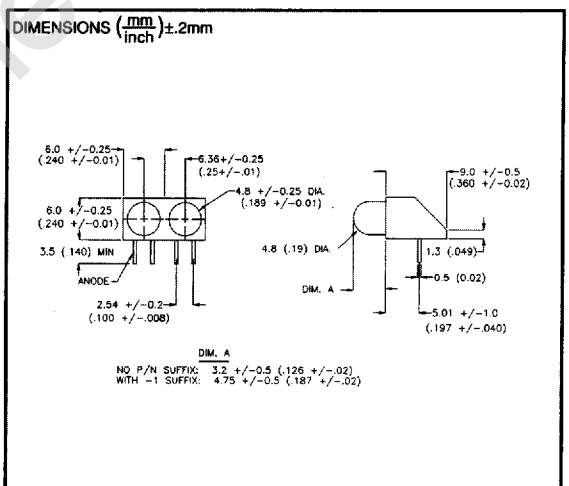
See pages 8-14 for Max. operating limits and operating curves



SSF-LXH2100XX SERIES DUAL P.C. MOUNT LED T-5 LEDs

FEATURES		APPLICATIONS		MATERIAL SPECIFICATIONS		
<ul style="list-style-type: none"> • Easy P.C. Installation • Dual Package Unit • Choice of Colors, Current • Blinking Type Option 		<ul style="list-style-type: none"> • Fault Indicator • Back Lighting Indicator • P.C. Mount Indicators 		<ul style="list-style-type: none"> • Holder: Black Nylon • Terminations: 0.5mm □ Leads • Installation: P.C. Mount/Solder 		
LUMEX PART NBR	EMITTED COLOR	OPERATING CURRENT (mA)	OPERATING TYP Volts (V)	BRIGHTNESS TYP (mCD) @ mA	LED SERIES USED	
SSF-LXH2100ID	RED	635	10-25	2.1	8	20 SSL-LX507F3XX
SSF-LXH2100SRD	RED	660	10-25	1.7	40	20 SSL-LX507F3XX
SSF-LXH2100GD	GREEN	565	10-25	2.1	8	20 SSL-LX507F3XX
SSF-LXH2100YD	YELLOW	585	10-25	2.1	8	20 SSL-LX507F3XX
BI-COLOR OPTION						
SSF-LXH2100HW	RED/GREEN	695/565	10-25	2.1	6/6	20 SSL-LX507F3XX
LOW CURRENT OPTIONS						
SSF-LXH2100LID	RED	635	1-5	1.8	1.4	2 SSL-LX507F3XX
SSF-LXH2100LGD	GREEN	565	1-5	1.8	1.4	2 SSL-LX507F3XX
SSF-LXH2100LYD	YELLOW	585	1-5	1.8	1.4	2 SSL-LX507F3XX

See pages 8-14 for Max. operating limits and operating curves



SSF-LXH400XX SERIES QUAD P.C. MOUNT LED T-5 LEDs

FEATURES		APPLICATIONS		MATERIAL SPECIFICATIONS		
<ul style="list-style-type: none"> • Easy P.C. Installation • Dual Package Unit • Choice of Colors, Current • Blinking Type Option 		<ul style="list-style-type: none"> • Fault Indicator • Back Lighting Indicator • P.C. Mount Indicators 		<ul style="list-style-type: none"> • Holder: Black Nylon • Terminations: 0.5mm □ Leads • Installation: P.C. Mount/Solder 		
LUMEX PART NBR	EMITTED COLOR	OPERATING CURRENT (mA)	OPERATING TYP Volts (V)	BRIGHTNESS TYP (mCD) @ mA	LED SERIES USED	
SSF-LXH400ID	RED	635	10-25	2.1	8	20 SSL-LX507F3XX
SSF-LXH400SRD	RED	660	10-25	1.7	40	20 SSL-LX507F3XX
SSF-LXH400GD	GREEN	565	10-25	2.1	8	20 SSL-LX507F3XX
SSF-LXH400YD	YELLOW	585	10-25	2.1	8	20 SSL-LX507F3XX
BI-COLOR OPTION						
SSF-LXH400HW	RED/GREEN	695/565	10-25	2.1	6/6	20 SSL-LX507F3HW
LOW CURRENT OPTIONS						
SSF-LXH400LID	RED	635	1-5	1.8	1.4	2 SSL-LX507F3LXX
SSF-LXH400LGD	GREEN	565	1-5	1.8	1.4	2 SSL-LX507F3LXX
SSF-LXH400LYD	YELLOW	585	1-5	1.8	1.4	2 SSL-LX507F3LXX

See pages 8-14 for Max. operating limits and operating curves

