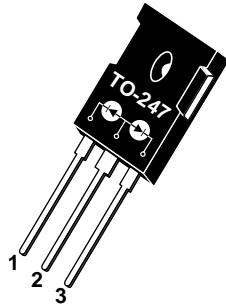


- 1 - Cathode 1
- 2 - Anode
- 3 - Cathode 2
- Back of Case - Anode



**APT30D20BCA 200V 2x30A**

## ULTRAFAST SOFT RECOVERY RECTIFIER DIODES

| PRODUCT APPLICATIONS  | PRODUCT FEATURES   | PRODUCT BENEFITS  |
|---|--|---|
| <ul style="list-style-type: none"> <li>• Parallel Diode               <ul style="list-style-type: none"> <li>-Switchmode Power Supply</li> <li>-Inverters</li> </ul> </li> <li>• Free Wheeling Diode               <ul style="list-style-type: none"> <li>-Motor Controllers</li> <li>-Converters</li> </ul> </li> <li>• Snubber Diode</li> <li>• Uninterruptible Power Supply (UPS)</li> <li>• Induction Heating</li> <li>• High Speed Rectifiers</li> </ul> | <ul style="list-style-type: none"> <li>• Ultrafast Recovery Times</li> <li>• Soft Recovery Characteristics</li> <li>• Popular TO-247 Package</li> <li>• Low Forward Voltage</li> <li>• High Blocking Voltage</li> <li>• Low Leakage Current</li> </ul> | <ul style="list-style-type: none"> <li>• Low Losses</li> <li>• Low Noise Switching</li> <li>• Cooler Operation</li> <li>• Higher Reliability Systems</li> <li>• Increased System Power Density</li> </ul> |

### MAXIMUM RATINGS

All Ratings Are Per Leg:  $T_C = 25^\circ\text{C}$  unless otherwise specified.

| Symbol         | Characteristic / Test Conditions  | APT30D20BCA | UNIT             |
|----------------|---|-------------|------------------|
| $V_R$          | Maximum D.C. Reverse Voltage  | 200         | Volts            |
| $V_{RRM}$      | Maximum Peak Repetitive Reverse Voltage   |             |                  |
| $V_{RWM}$      | Maximum Working Peak Reverse Voltage  |             |                  |
| $I_F(AV)$      | Maximum Average Forward Current ( $T_C = 105^\circ\text{C}$ , Duty Cycle = 0.5) | 30          | Amps             |
| $I_F(RMS)$     | RMS Forward Current   | 70          |                  |
| $I_{FSM}$      | Non-Repetitive Forward Surge Current ( $T_J = 45^\circ\text{C}$ , 8.3ms)        | 320         |                  |
| $T_J, T_{STG}$ | Operating and Storage Temperature Range   | -55 to 150  | $^\circ\text{C}$ |
| $T_L$          | Lead Temperature: 0.063" from Case for 10 Sec.                                  | 300         |                  |

### STATIC ELECTRICAL CHARACTERISTICS

| Symbol   | Characteristic / Test Conditions               | MIN | TYP | MAX  | UNIT          |
|----------|--|-----|-----|--|---------------|
| $V_F$    | Maximum Forward Voltage                        |     |     | 1.15   | Volts         |
|          |  |     |     | $I_F = 30\text{A}$                           |               |
|          |  |     |     | $I_F = 60\text{A}$                           |               |
| $I_{RM}$ | Maximum Reverse Leakage Current                |     |     | 1.0  | $\mu\text{A}$ |
|          |  |     |     | $I_F = 30\text{A}, T_J = 150^\circ\text{C}$  |               |
|          |  |     |     | $V_R = V_R$ Rated                            |               |
| $I_{RM}$ | Maximum Reverse Leakage Current                |     |     | 500  | $\mu\text{A}$ |
|          |  |     |     | $V_R = V_R$ Rated, $T_J = 125^\circ\text{C}$ |               |
| $C_T$    | Junction Capacitance, $V_R = 150\text{V}$      |     | 110 |  | pF            |
| $L_S$    | Series Inductance (Lead to Lead 5mm from Base) |     | 10  |  | nH            |

APT Website - <http://www.advancedpower.com>

**USA** 405 S.W. Columbia Street Bend, Oregon 97702-1035 Phone: (541) 382-8028 FAX: (541) 388-0364  
**EUROPE** Chemin de Magret F-33700 Merignac - France Phone: (33) 5 57 92 15 15 FAX: (33) 5 56 47 97 61

**DYNAMIC CHARACTERISTICS**

**APT30D20BCA**

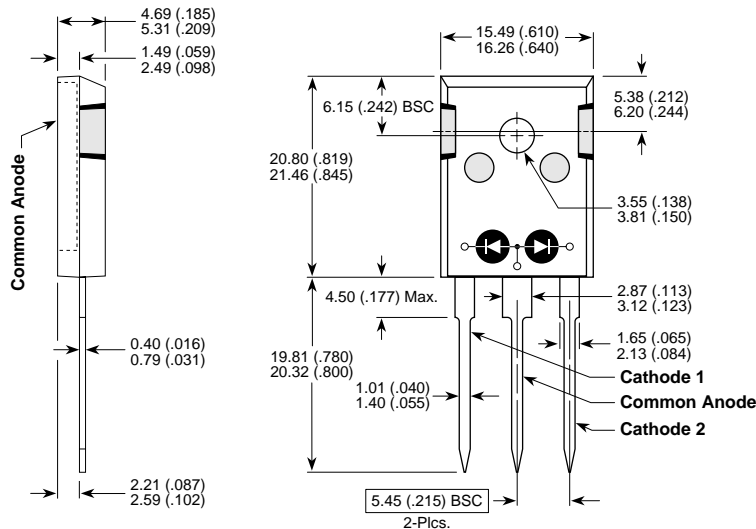
| Symbol     | Characteristic  | MIN                 | TYP | MAX | UNIT       |
|------------|---|---------------------|-----|-----|------------|
| $t_{rr1}$  | Reverse Recovery Time, $I_F = 1.0A$ , $di_F/dt = -15A/\mu s$ , $V_R = 30V$ , $T_J = 25^\circ C$ |                     | 35  | 50  | ns         |
| $t_{rr2}$  | Reverse Recovery Time   | $T_J = 25^\circ C$  | 40  |     |            |
| $t_{rr3}$  | $I_F = 30A$ , $di_F/dt = -240A/\mu s$ , $V_R = 100V$  | $T_J = 100^\circ C$ | 60  |     |            |
| $t_{fr1}$  | Forward Recovery Time   | $T_J = 25^\circ C$  | 155 |     |            |
| $t_{fr2}$  | $I_F = 30A$ , $di_F/dt = 240A/\mu s$ , $V_R = 100V$   | $T_J = 100^\circ C$ | 155 |     |            |
| $I_{RRM1}$ | Reverse Recovery Current  | $T_J = 25^\circ C$  | 6   | 8   | Amps       |
| $I_{RRM2}$ | $I_F = 30A$ , $di_F/dt = -240A/\mu s$ , $V_R = 100V$  | $T_J = 100^\circ C$ | 10  | 13  |            |
| $Q_{rr1}$  | Recovery Charge   | $T_J = 25^\circ C$  | 120 |     | nC         |
| $Q_{rr2}$  | $I_F = 30A$ , $di_F/dt = -240A/\mu s$ , $V_R = 100V$  | $T_J = 100^\circ C$ | 300 |     |            |
| $V_{fr1}$  | Forward Recovery Voltage  | $T_J = 25^\circ C$  | 2.5 |     | Volts      |
| $V_{fr2}$  | $I_F = 30A$ , $di_F/dt = 240A/\mu s$ , $V_R = 100V$   | $T_J = 100^\circ C$ | 2.5 |     |            |
| $diM/dt$   | Rate of Fall of Recovery Current  | $T_J = 25^\circ C$  | 300 |     | A/ $\mu s$ |
|            | $I_F = 30A$ , $di_F/dt = -240A/\mu s$ , $V_R = 100V$  | $T_J = 100^\circ C$ | 600 |     |            |

**THERMAL AND MECHANICAL CHARACTERISTICS**

| Symbol          | Characteristic / Test Conditions                           | MIN | TYP  | MAX  | UNIT         |
|-----------------|--|-----|------|------|--------------|
| $R_{\theta JC}$ | Junction-to-Case Thermal Resistance                        |     |      | 1.32 | $^\circ C/W$ |
| $R_{\theta JA}$ | Junction-to-Ambient Thermal Resistance                     |     |      | 80   |              |
| $W_T$           | Package Weight   |     | 0.22 |      | oz           |
|                 |  |     |      | 6.1  |              |
| Torque          | Maximum Mounting Torque (Screw Type = 6-32 or 3mm Machine) |     |      | 10   | lb•in        |
|                 |  |     |      | 1.1  | N•m          |

APT Reserves the right to change, without notice, the specifications and information contained herein.

**TO-247 Package Outline**



APT's devices are covered by one or more of the following U.S. patents: 4,895,810 5,045,903 5,089,434 5,182,234 5,019,522 5,262,336  
 5,256,583 4,748,103 5,283,202 5,231,474 5,434,095 5,528,058