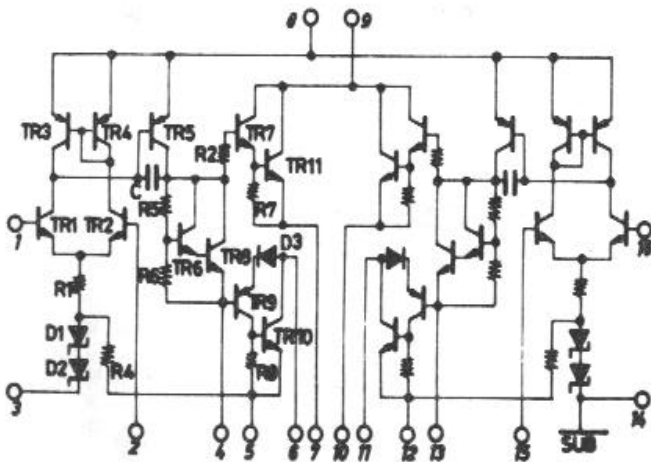
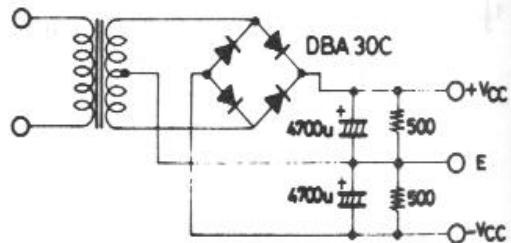


## Integrato finale 2x25 W

$V_{CC\ max}$	$\pm 38$	V	unit
$T_C$	105	$^{\circ}C$	
$T_{stg}$	-30~+105	$^{\circ}C$	
$t_B$	$V_{CC} = \pm 26V, P_o = 25W$ $R_L = 8\Omega, f = 50Hz$	2	sec
$V_{CC}$	$\pm 26$	V	unit
$R_L$	8	$\Omega$	

$T_a = 25^{\circ}C, V_{CC} = \pm 26V, R_L = 8\Omega, R_g = 600\Omega, V_G = 40dB,$

		min	typ	max	unit
$I_{CC0}$	$V_{CC} = \pm 30V$	20	40	120	mA
$P_o(1)$	$f = 20 \sim 20kHz, THD = 0.08\%$	25			W
$P_o(2)$	$V_{CC} = \pm 23V, f = 1kHz, THD = 0.2\%$ $R_L = 4\Omega$	30			W
THD	$f = 20 \sim 20kHz, P_o = 1W$			0.08	%
$f_L, f_H$	$P_o = 1W, \pm 3dB, f = 1kHz$		10~100k		Hz
$r_i$	$P_o = 1W, f = 1kHz$		32k		$\Omega$
$V_{NO}$	$V_{CC} = \pm 30V, R_g = 10k\Omega$ シヤント			1.2	mVrms
$V_N$	$V_{CC} = \pm 30V$	-70	0	+70	mV



外形図 4016  
(unit : mm)

