

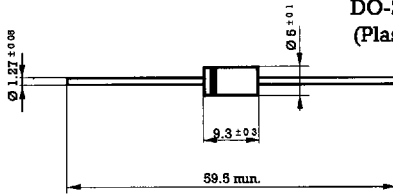


FAGOR ELECTRONICS

T.03-15

### 3 Amp. Glass Passivated Fast Recovery Rectifier

Dimensions in mm.

DO-201 AD  
DO-27 A  
(Plastic)Voltage  
50 to 600 V.Current  
3.0 A. at 90 °C.

#### Mounting instructions

1. Min. distance from body to soldering point, 4 mm.
2. Max. solder temperature, 350°C.
3. Max. soldering time, 3,5 sec.
4. Do not bend lead at a point closer than 3 mm. to the body.

- Glass passivated junction
- High current capability
- The plastic material carries U/L recognition 94 V-0
- Terminals: Axial Leads
- Polarity: Color band denotes cathode

#### Maximum Ratings, according to IEC publication No. 134

		MR 850 GP	MR 851 GP	MR 852 GP	MR 854 GP	MR 856 GP
$V_{RRM}$	Peak recurrent and non recurrent reverse voltage (V)	50	100	200	400	600
$I_{F(AV)}$	Forward current at $T_{amb} = 90\text{ °C}$	3.0 A				
$I_{FRM}$	Recurrent peak forward current (A)	15 A				
$I_{FSM}$	10 ms. peak forward surge current	100 A				
$t_{rr}$	Max. reverse recovery time from $I_F = 1\text{ A}$ $V_R = 30\text{ V}$	200 ns				
$T_j$	Max. operating temperature	+ 175 °C				
$T_{stg}$	Storage temperature	- 65 to + 175 °C				
$P_R$	Pulse avalanche peak power $T_p = 20\text{ }\mu\text{s}$ . Half sinus wave $T_j = 175\text{ °C}$	2.000 W				

#### Electrical Characteristics at $T_{amb} = 25\text{ °C}$

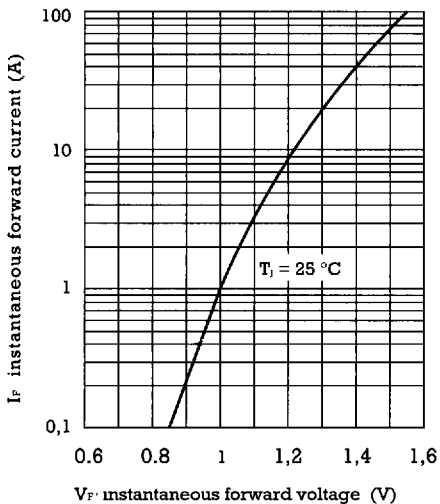
$V_F$	Max. forward voltage drop at $I_F = 3\text{ A}$	1.25 V.
$I_R$	Max. reverse current at $V_{RRM}$ at 25 °C at 125 °C	100 $\mu\text{A}$
$R_{thj-a}$	Thermal resistance (l = 10 mm.) Max. Typ.	30° C/W 15° C/W

www.DataSheet4U.com

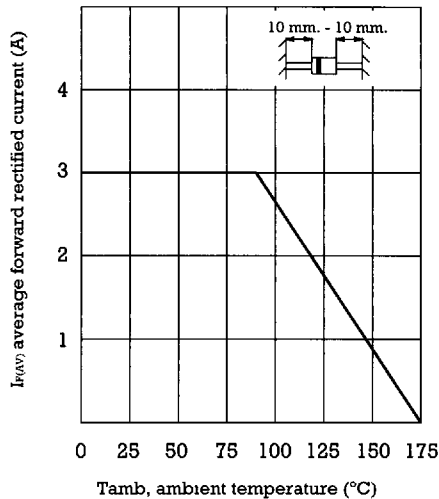
FAGOR ELECTRONICS

Rating And Characteristic Curves

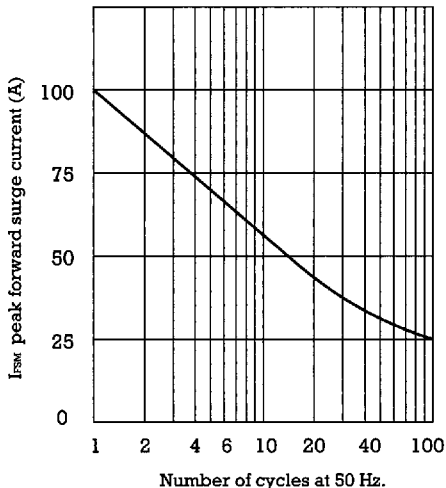
TYPICAL FORWARD CHARACTERISTIC



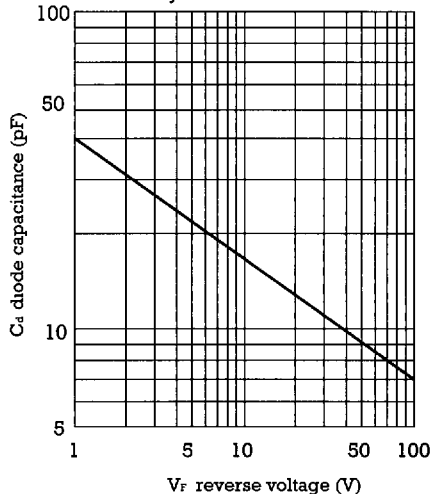
FORWARD CURRENT DERATING CURVE



MAXIMUM NON REPETITIVE PEAK FORWARD SURGE CURRENT



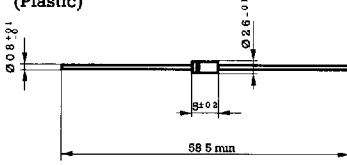
TYPICAL JUNCTION CAPACITANCE



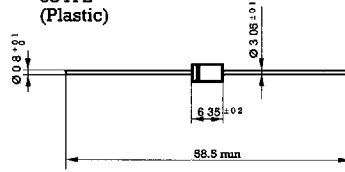
**Package Outlines**

Dimensions in mm.

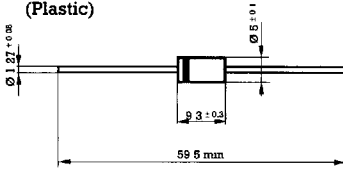
**1** DO-41  
(Plastic)



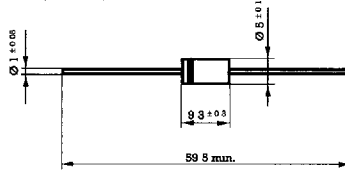
**2** DO-15  
F-126  
58 A 2  
(Plastic)



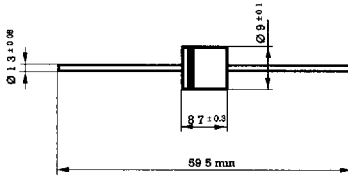
**3** DO-27 A  
DO-201 AD  
(Plastic)



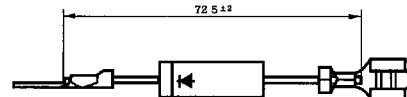
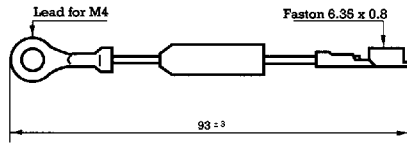
**4** DO-201 AE  
(Plastic)



**5** P-6  
(Plastic)

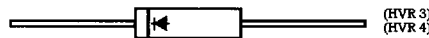
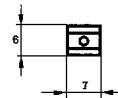
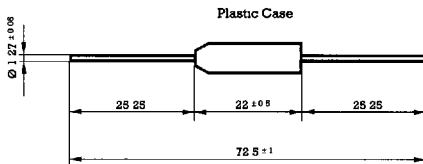


**7**



Suffix E1

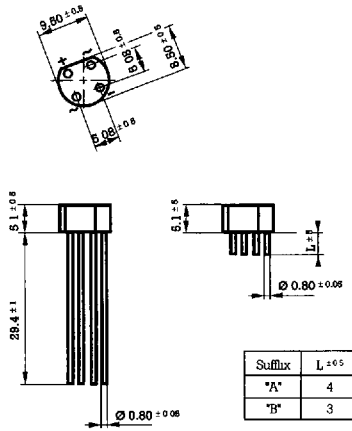
**6**



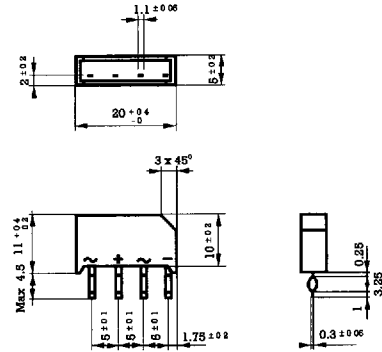
Package Outlines

Dimensions in mm

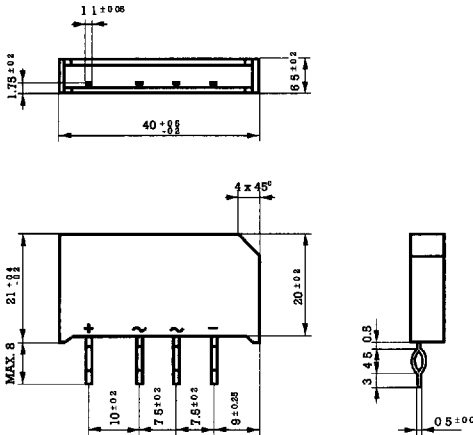
8



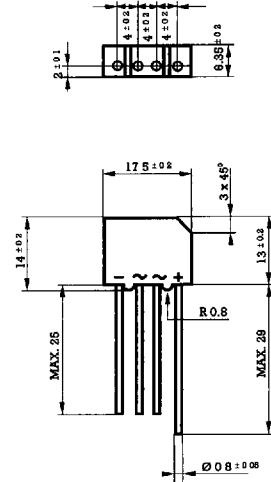
9



10



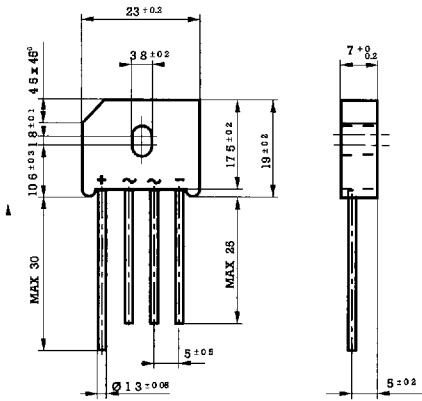
11



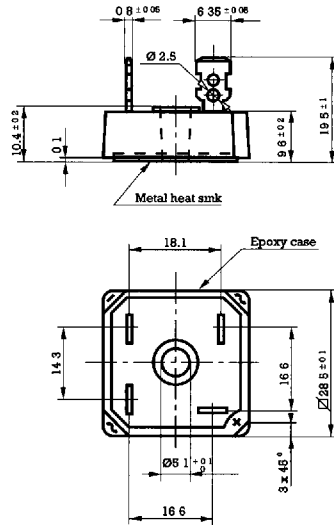
Package Outlines

Dimensions in mm.

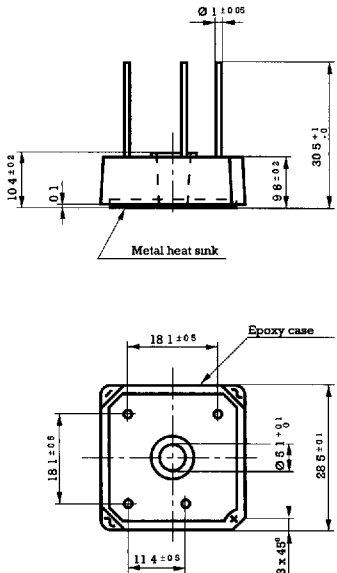
12



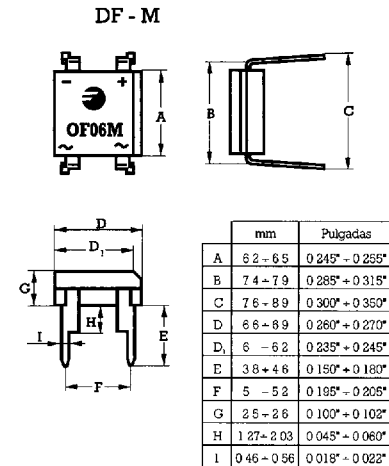
13



14



15



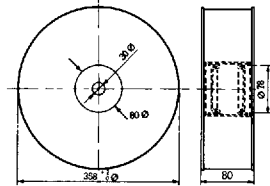
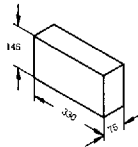
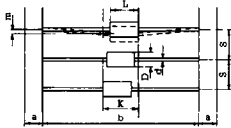
**Packaging specifications**

**Dimensions in mm.**

**REEL PACKAGING (Under IEC-CEI 286-1 and RS-296 D)**

CASE TYPE (OUTLINE)	REEL DIMENSIONS					UNITS PER REEL	APROX GROSS WEIGHT PER REEL PACKED
	K	b	S	m	a		
(1) DO41 (Plastic)	6 4	53 ±2	5 ±0.5	1 2	6 ±1	6000	2.5 kg (5.52 Lbs)
(2) DO15 (Plastic)	7 85	53 ±2	5 ±0.5	1 2	6 ±1	5000	2.3 kg (5.07 Lbs)
(3) DO201AD (Plastic) (4) DO201AE (Plastic)	11	53 ±2	10 ±0.5	1.2	6 ±1	1500	2 kg. (4.41 Lbs)
(5) P-6 (Plastic)	11 27	53 ±2	10 ±0.5	1.2	6 ±1	1000	3 kg (6.61 Lbs)

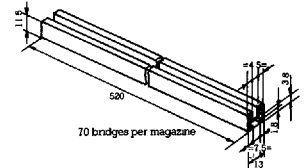
**REEL PACKAGING**



**AMMO BOX PACKAGING (SUFFIX \*AMP)**

OUTLINES	BOX SIZE	UNITS PER BOX	APROX GROSS WEIGHT PER REEL PACKED
DO-41 (Plastic)	330 x 75 x 145	6000	2.20 kg (4.85 Lbs)
DO-15 (Plastic)	330 x 75 x 145	5000	2.20 kg (4.85 Lbs)
DO-201AD (Plastic)	330 x 75 x 145	1500	1.85 kg (4.08 Lbs)
DO-201ED (Plastic)	330 x 75 x 145	1500	1.85 kg (4.08 Lbs)
P-600	330 x 75 x 145	500	1.2 kg (2.65 Lbs)

**DIL PACKAGING  
ANTISTATIC PLASTIC TUBF**



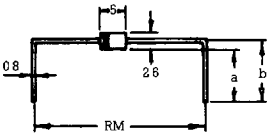
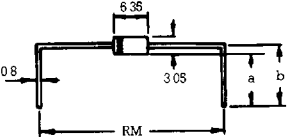
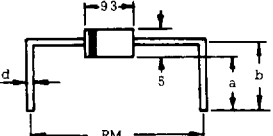
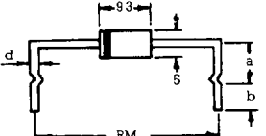
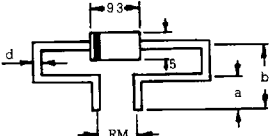
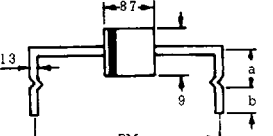
**BOX PACKAGING**

DEVICE TYPE (OUTLINE)	BOX SIZE	UNITS PER BOX	APROX GROSS WEIGHT
(6) (7) HVR3, HVR4 HVR062 (7) = Suffix E1	70 x 105 x 205	(6) 250 (7) 200	0.710 kg (1.560 Lbs)
(8) B C800, C1000, C1500 R, WL F, WF / ("A")	70 x 105 x 205	500 / (1.500)	0.650 kg (1.430 Lbs)
(9) B C1500/1000, C2000/1500	70 x 105 x 205	500	1.100 kg (2.425 Lbs)
(10) B . C3700/2200	70 x 105 x 205	100	1.100 kg (2.425 Lbs)
(10) B . C500/3300, C5000/3300-400	70 x 105 x 205	100	1.100 kg (2.425 Lbs)
(11) FBP, 2FBP	215 x 85 x 335	500	2.10 kg (4.62 Lbs)
(12) FBU 4 - 6 - 8	270 x 90 x 400	500	4.20 kg (9.23 Lbs)
(13) FB 10 - 15 - 25 - 35 - 50 B 10 - 15 - 25 - 35 - 50	70 x 105 x 205	50	0.850 kg (1.872 Lbs)
(14) FB 10L - 15L - 25L B 10L - 15L - 25L	35 x 135 x 205	20	0.350 kg (0.770 Lbs)
DF - M	540 x 145 x 110	5 600	4.0 kg (8.82 Lbs.)

**Standard lead forming specifications**

**Dimensions in mm.**

Plastic Cases

DO-41 	Type	Dimensions			
		a	b	RM	
	C2-3	3 ± 0.5	43 ± 0.5	10 ± 0.5	
	C2-5	10 ± 0.5	113 ± 0.5	10 ± 0.5	
	C2-8	4 ± 0.5	53 ± 0.5	10 ± 0.5	
DO-15 	Type	Dimensions			
		a	b	RM	
	C2-3	3 ± 0.5	45 ± 0.5	10 ± 0.5	
	C2-5	10 ± 0.5	115 ± 0.5	10 ± 0.5	
	C2-8	4 ± 0.5	55 ± 0.5	10 ± 0.5	
DO-201AD DO-27A (d = 1.27) 	DO-201AE (d = 1)	Type	Dimensions		
			a	b	RM
		C2-1	35 ± 0.5	6 ± 0.5	15 ± 0.5
		C2-2	4 ± 0.5	65 ± 0.5	15 ± 0.5
		C2-4	7.5 ± 0.3	10 ± 0.3	17.8 ± 0.15
		C2-6	3.5 ± 0.5	6 ± 0.5	17.5 ± 0.5
		C2-7	4.5 ± 0.5	7 ± 0.5	21 ± 0.5
		C2-11	4.5 ± 0.5	7 ± 0.5	17.5 ± 0.5
		C2-12	12.5 ± 0.5	15 ± 0.5	17.5 ± 0.5
		C2-13	16 ± 0.5	18.5 ± 0.5	15.2 ± 0.5
		C2-14	7.5 ± 0.5	10 ± 0.5	15 ± 0.5
		C2-17	4 ± 0.5	8.5 ± 0.5	20 ± 0.5
		DO-201AD DO-27A (d = 1.27) 	DO-201AE (d = 1)	Type	Dimensions
	a			b	RM
C6-1	10 ± 0.5			5 ± 0.5	15.2 ± 0.5
C6-2	10 ± 0.5			5 ± 0.5	17.5 ± 0.5
C6-3	7 ± 0.5			5 ± 0.5	21 ± 0.5
C6-4	13.5 ± 0.5			5 ± 0.5	15.2 ± 0.5
	C6-5	10 ± 0.5	5 ± 0.5	20 ± 0.5	
DO-201AD DO-27A (d = 1.27) 	DO-201AE (d = 1)	Type	Dimensions		
		C4-2	4.5 ± 0.3	10.5 ± 0.3	7.5 ± 0.5
P-6 	DO-201AE (d = 1)	Type	Dimensions		
			a	b	RM
		C6-1	10 ± 0.5	5 ± 0.5	15.2 ± 0.5
		C6-2	10 ± 0.5	5 ± 0.5	17.5 ± 0.5
		C6-3	7 ± 0.5	5 ± 0.5	21 ± 0.5
	C6-4	13.5 ± 0.5	5 ± 0.5	15.2 ± 0.5	