

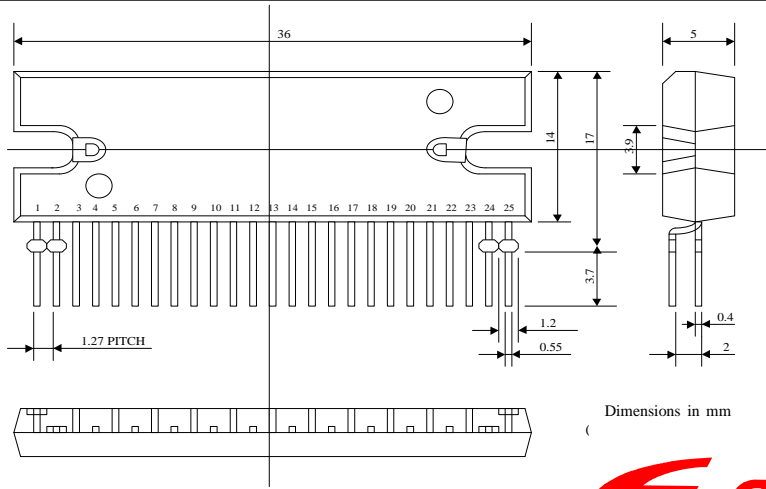
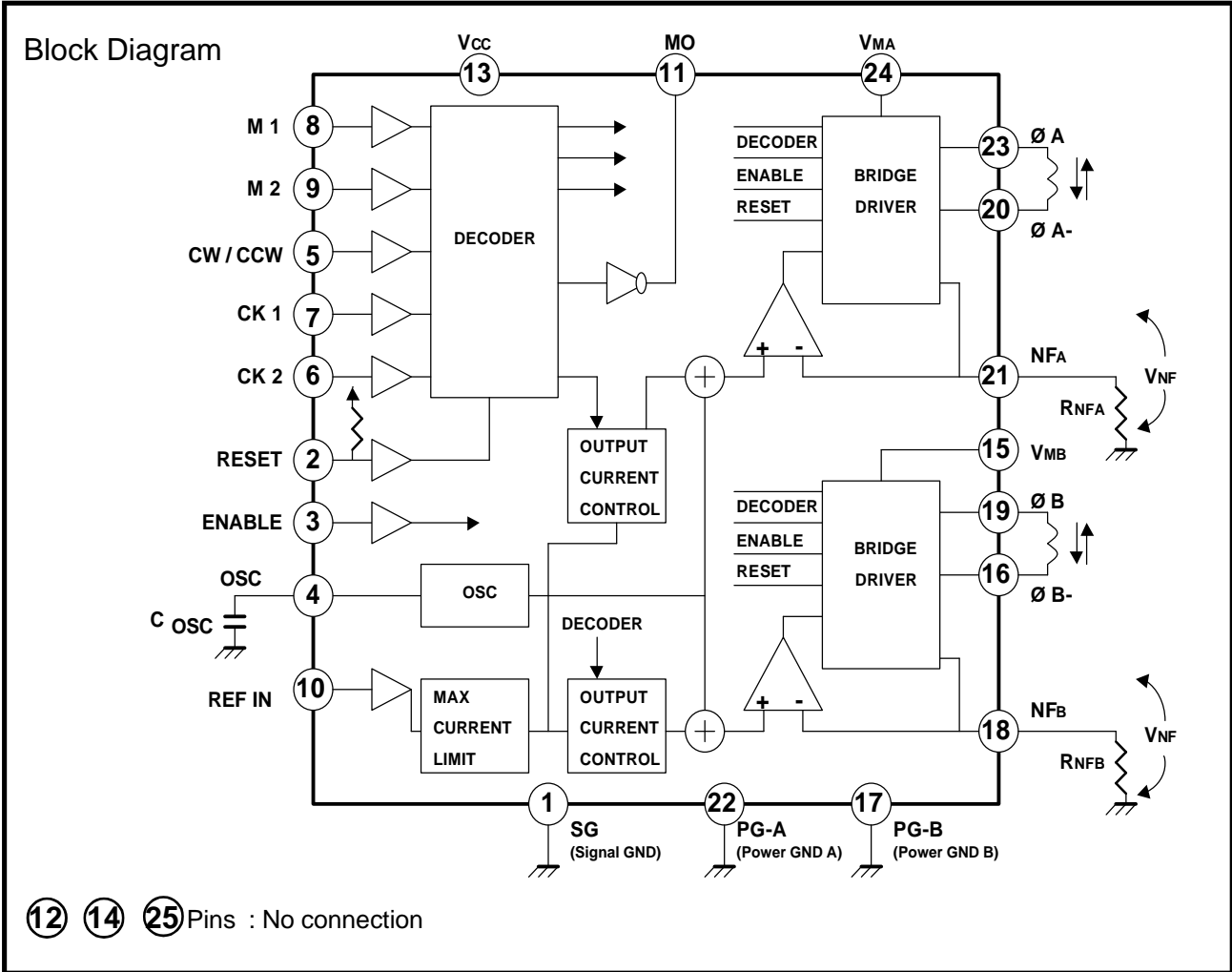
SDI-C403

1,5 A - 40 Vdc Bi-CMOS IC for 4 phases step motor microstepping driving.

Technical data

- Driver : Bipolar chopper PWM;
- Chopper frequency : 20 ÷ 40 kHz;
- Current per phase : 1,5 A rms (2,5 A peak);
- Output voltage : 40 Vdc max;
- Step angle : 1 - 1/2 - 1/4 - 1/8;
- Inputs : step, direction, drive enable, current reduction;
(CMOS type with integrated 40 Kohm pull-up resistors);
- Output : drive status monitor (±2 mA max.);
- Package : CPP - 25 pins (25 W);
- Power supply PWM : 24 Vdc (40 Vdc max);
logic : 5 Vdc ±10% ;
- Operating temperature : - 40° ÷ + 85° C.

SDI-C403



ITALY
 EVER SNC DI ING. CALDI & C.
 Via del Commercio, 2/4
 Loc. San Grato, Z.I. - 26900 LODI (ITALY)
 Tel. ++39 0371 412318 - Fax ++39 0371 412367
 e-mail : infoever@everelettronica.it
 web: www.everelettronica.it

GERMANY
 Technologiezentrum - Europaplatz
 D-52068 AACHEN
 Tel. ++49 (0)241 9631836 - Fax ++49 (0)241 9631835

