



DESCRIPTION

PT6955 is an LED Controller driven on a 1/4 to 1/7 duty factor. Twelve/nine segment output lines, 4 to 7 grid output lines, one display memory, control circuit are all incorporated into a single chip to build a highly reliable peripheral device for a single chip microcomputer. Serial data is fed to PT6955 via a three-line serial interface. Housed in a 24-pin SO Package, PT6955's pin assignments and application circuit are optimized for easy PCB Layout and cost saving advantages.

FEATURES

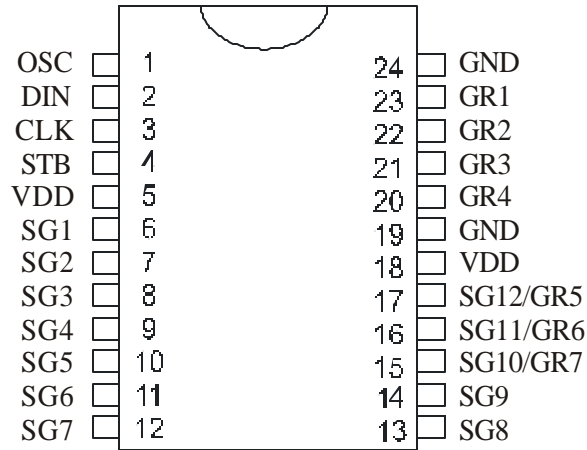
- CMOS Technology
- Low Power Consumption
- 8-Step Dimming Circuitry
- Serial Interface for Clock, Data Input, Strobe Pins
- Available in 24-pin, SO Package

APPLICATION

- Micro-computer Peripheral Device



PIN CONFIGURATION

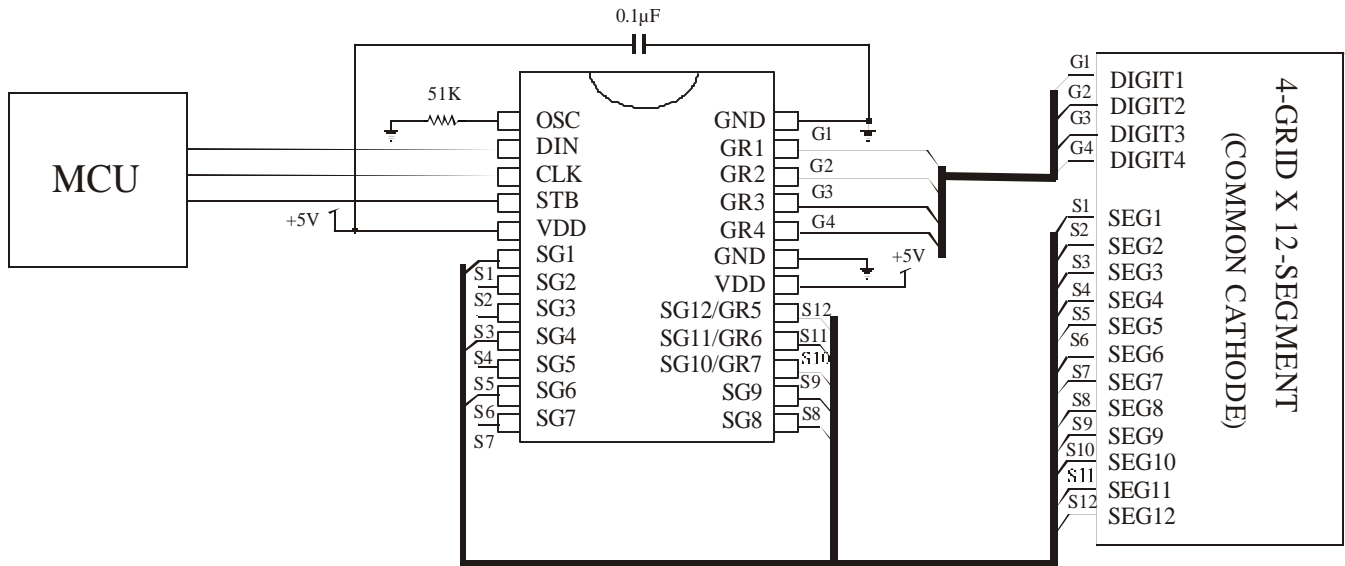




LED Driver IC

PT6955

APPLICATION CIRCUIT



Note: The capacitor (0.1uF) connected between the GND and VDD Pins must be located as near as possible to the PT6959 chip.

